

[54] CARTON-ERECTING MACHINE

[75] Inventor: Minor E. Gee, Sanger, Calif.
[73] Assignee: Maxco Supply, Inc., Reedley, Calif.
[**] Term: 14 Years
[21] Appl. No.: 205,733
[22] Filed: Nov. 10, 1980

[51] Int. Cl. D15-99
[52] U.S. Cl. D15/145
[58] Field of Search D15/122, 145, 146, 199;
493/128

References Cited

U.S. PATENT DOCUMENTS

D. 205,013 6/1966 Cain et al. D15/145
4,041,850 8/1977 Reichert 493/128

4,133,254 1/1979 Odom et al. 493/128

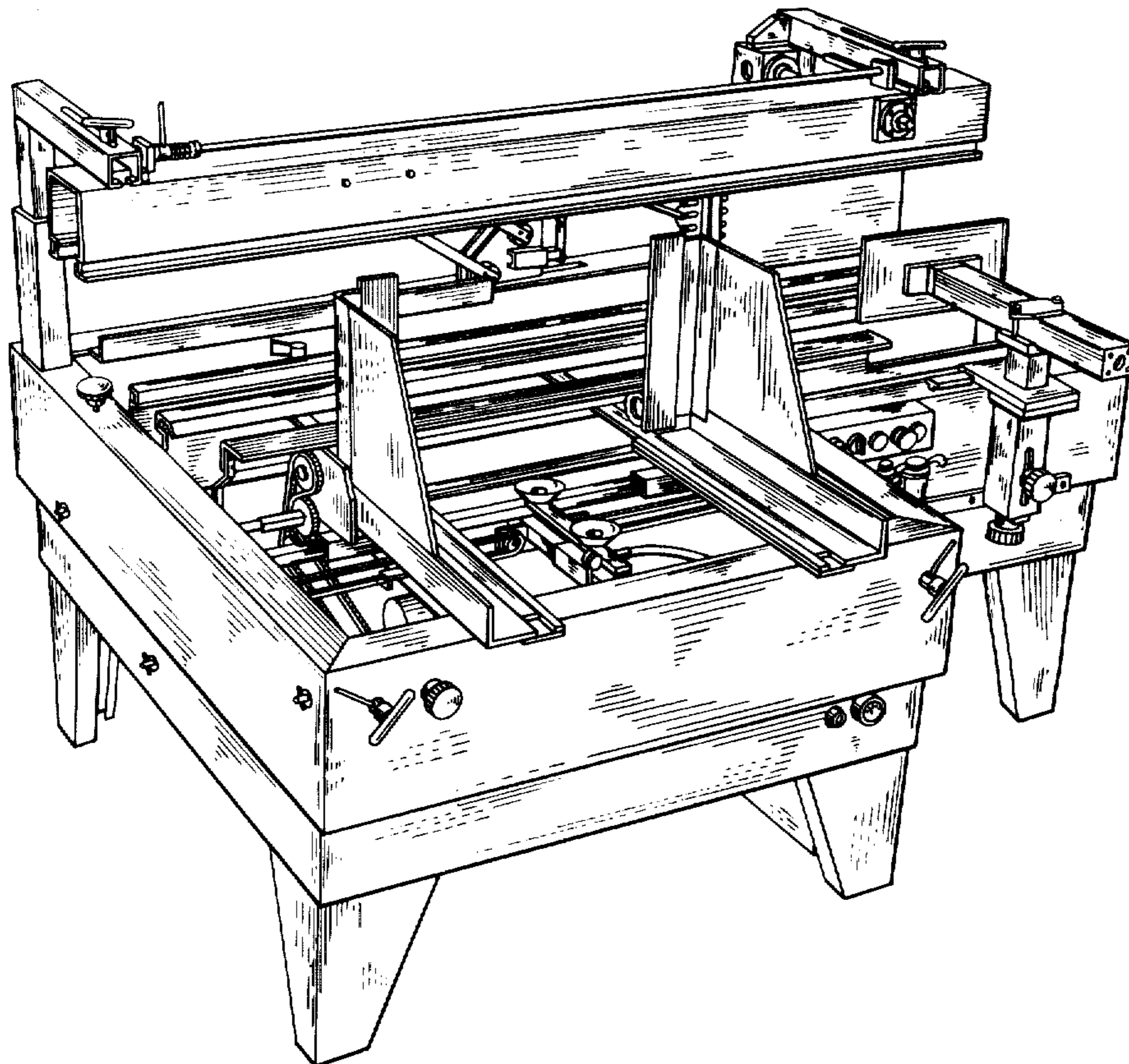
Primary Examiner—B. J. Bullock
Attorney, Agent, or Firm—Huebner & Worrel

[57] CLAIM

The ornamental design for a carton-erecting machine, as shown and described.

DESCRIPTION

FIG. 1 is a perspective view of the carton-erecting machine, showing my new design.
FIG. 2 is a top plan view thereof.
FIG. 3 is a front elevational view thereof.
FIG. 4 is a side elevational view taken from the left of FIG. 1.
FIG. 5 is a side elevational view taken from the right of FIG. 1.
FIG. 6 is a rear elevational view thereof.
FIG. 7 is a bottom plan view thereof.



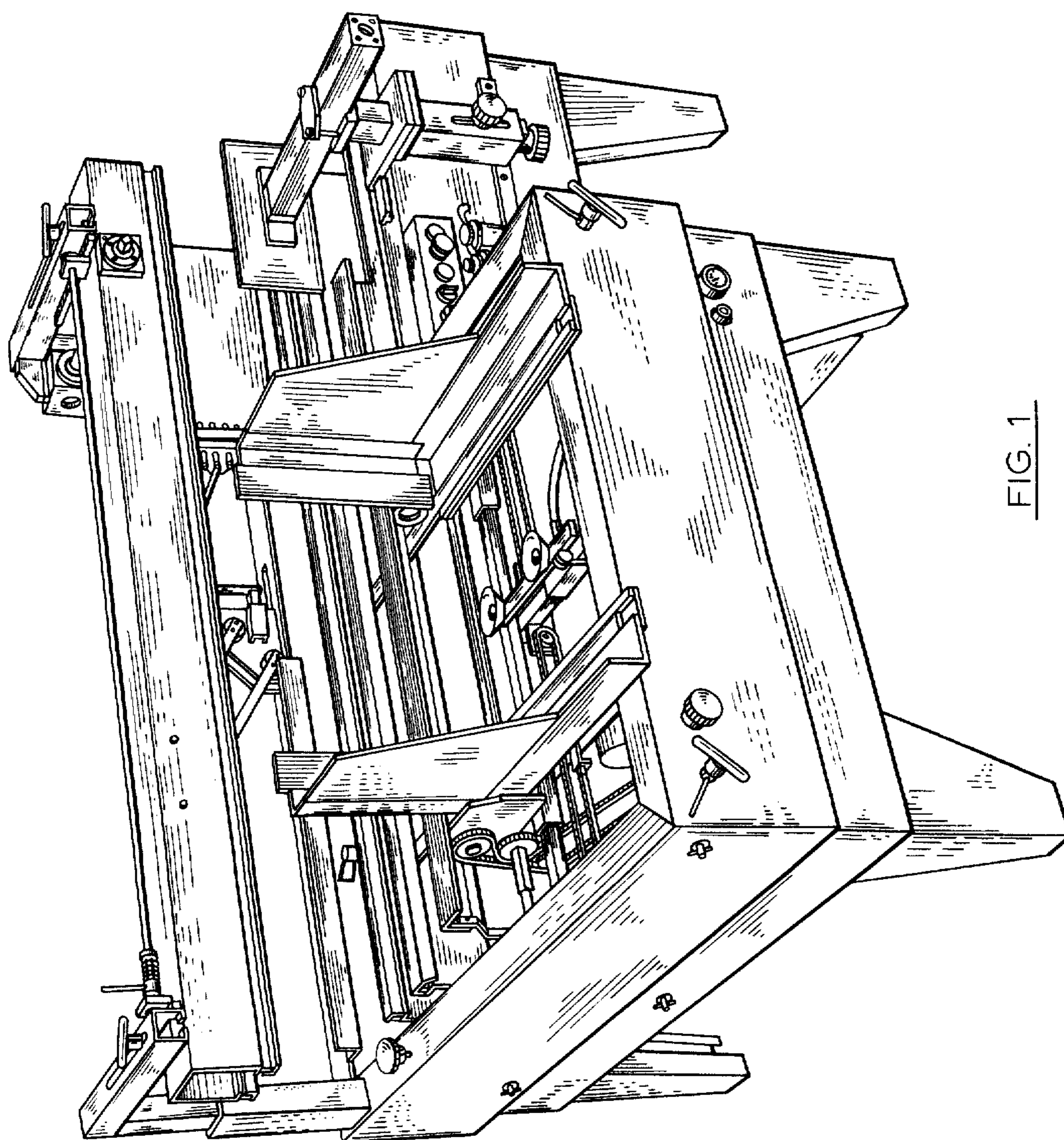


FIG. 1

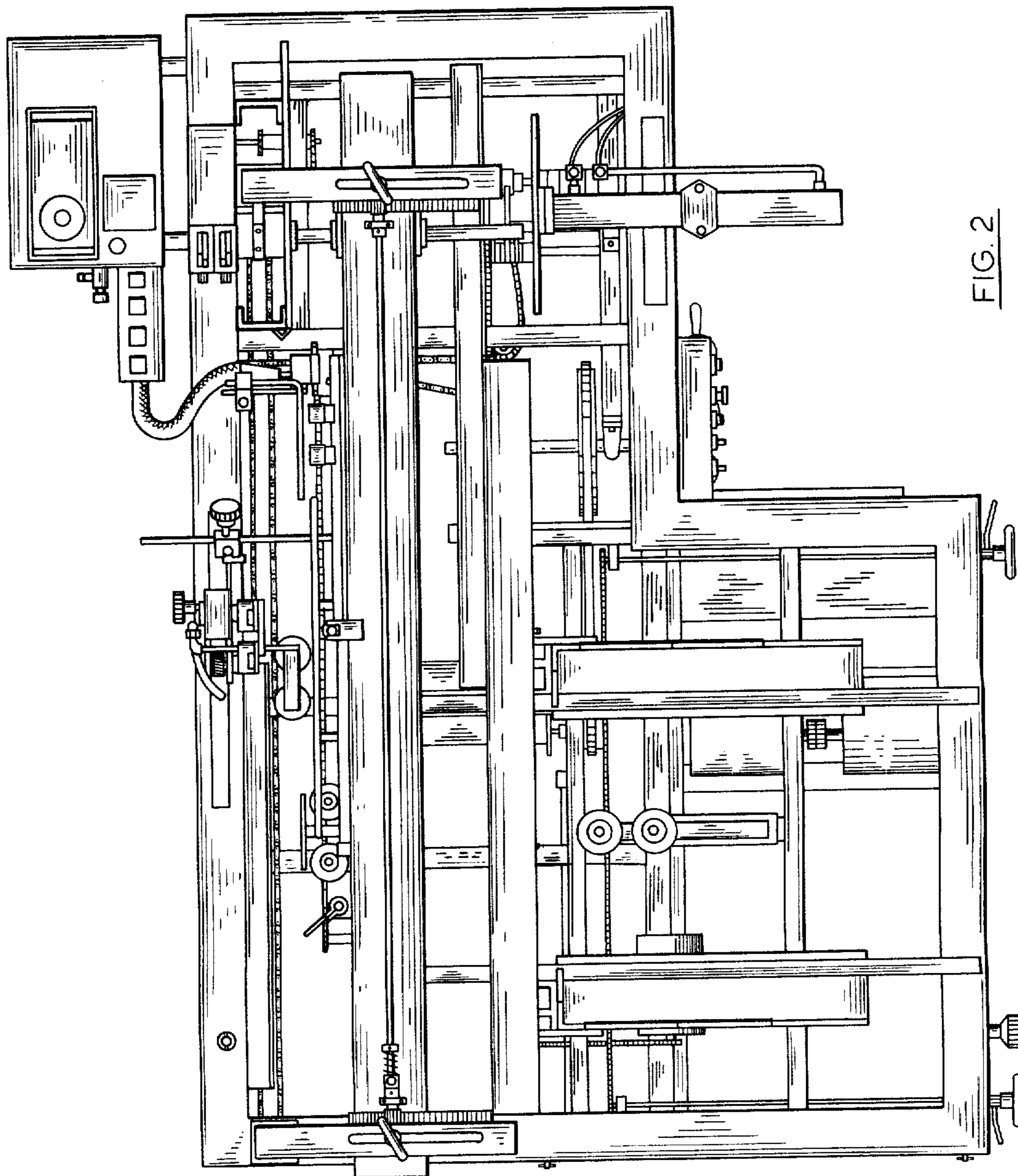


FIG. 2

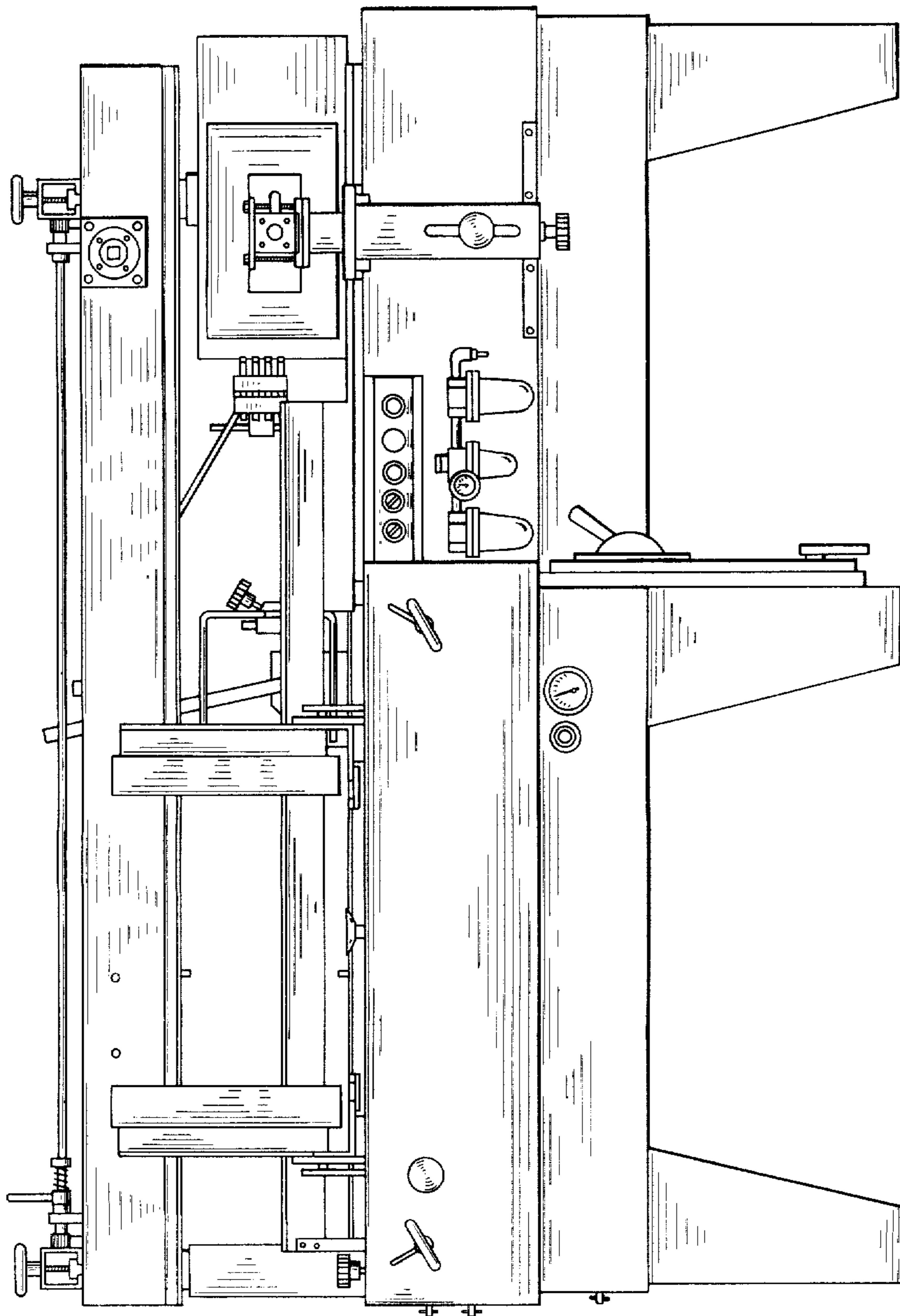


FIG. 3

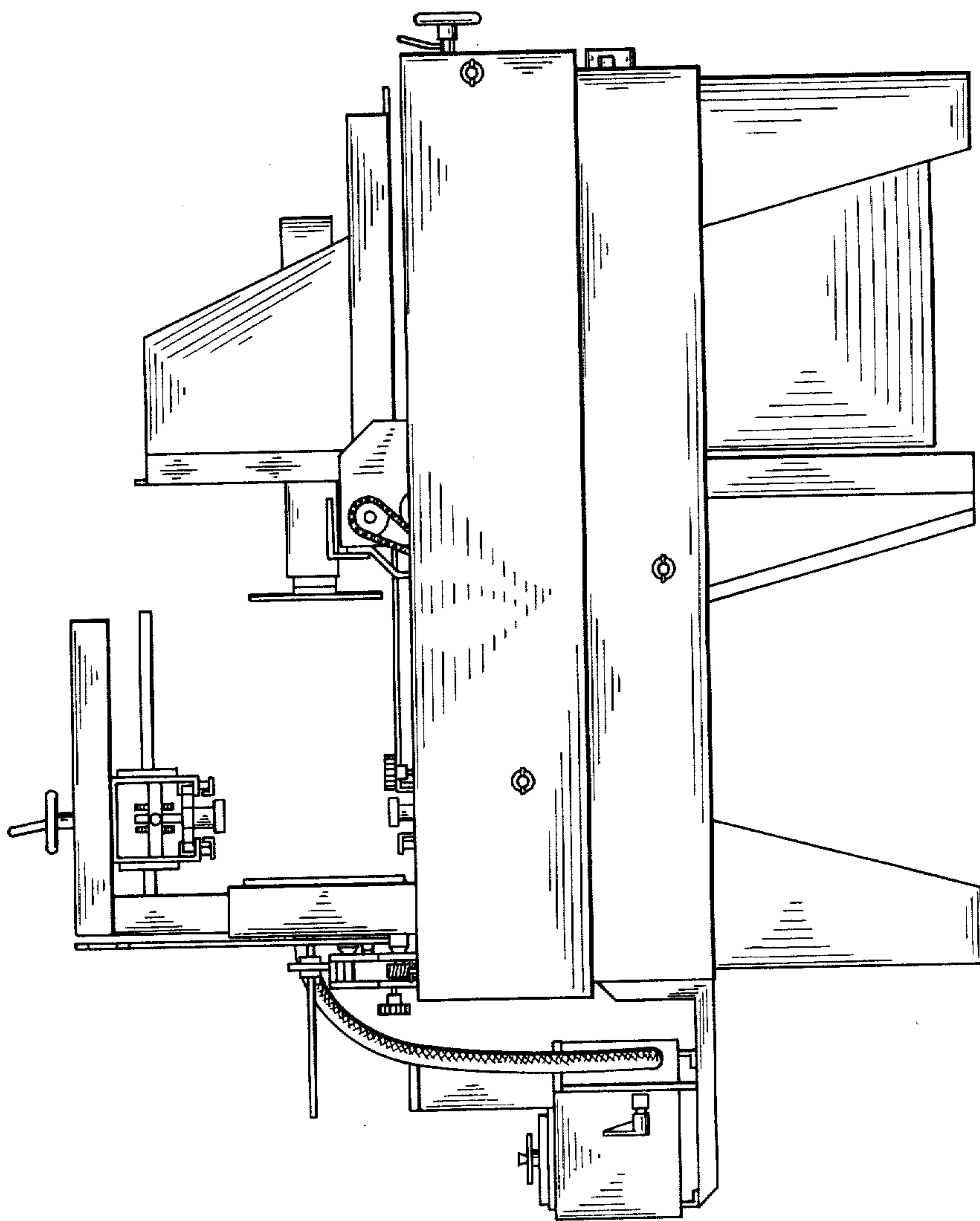


FIG. 4

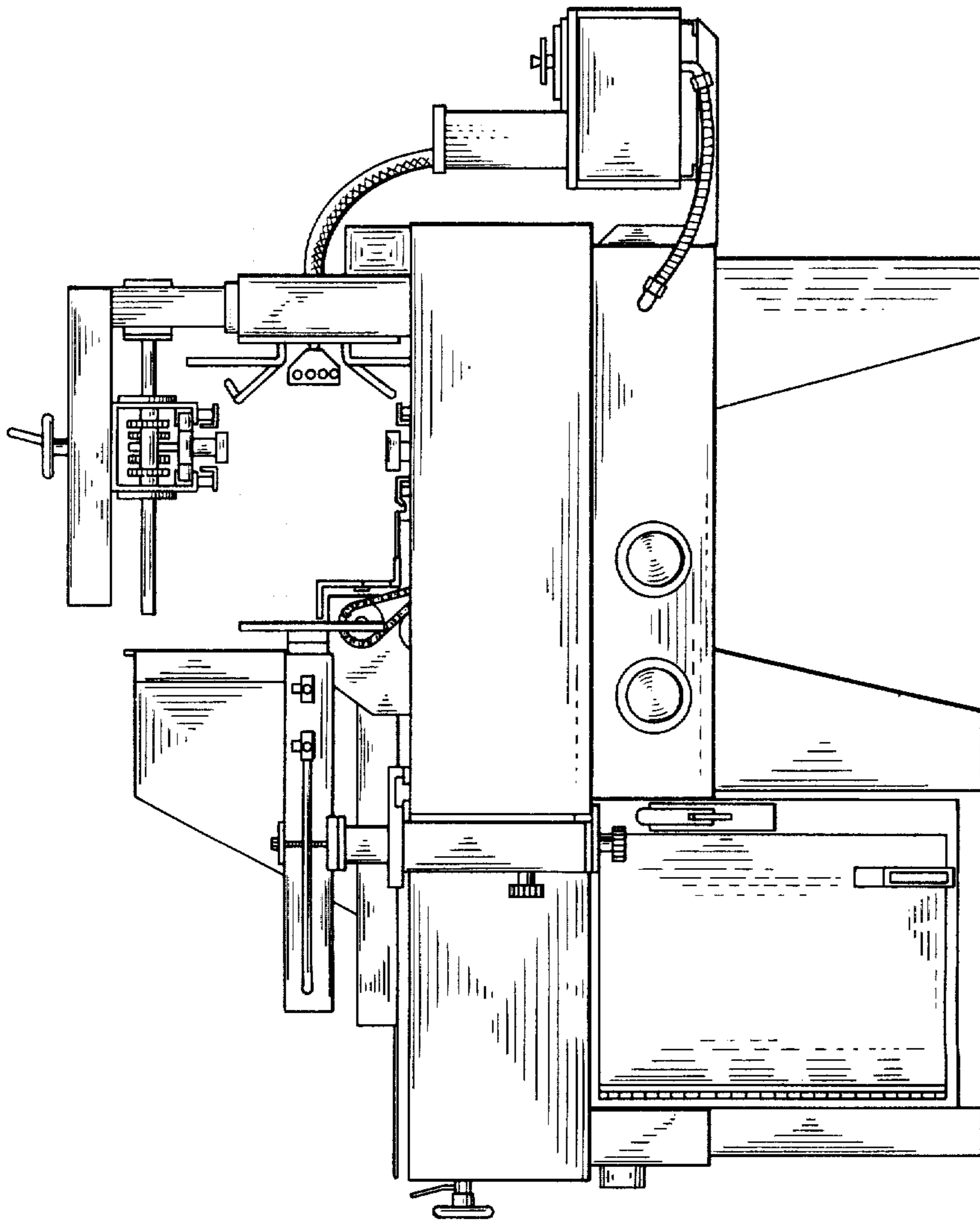


FIG. 5

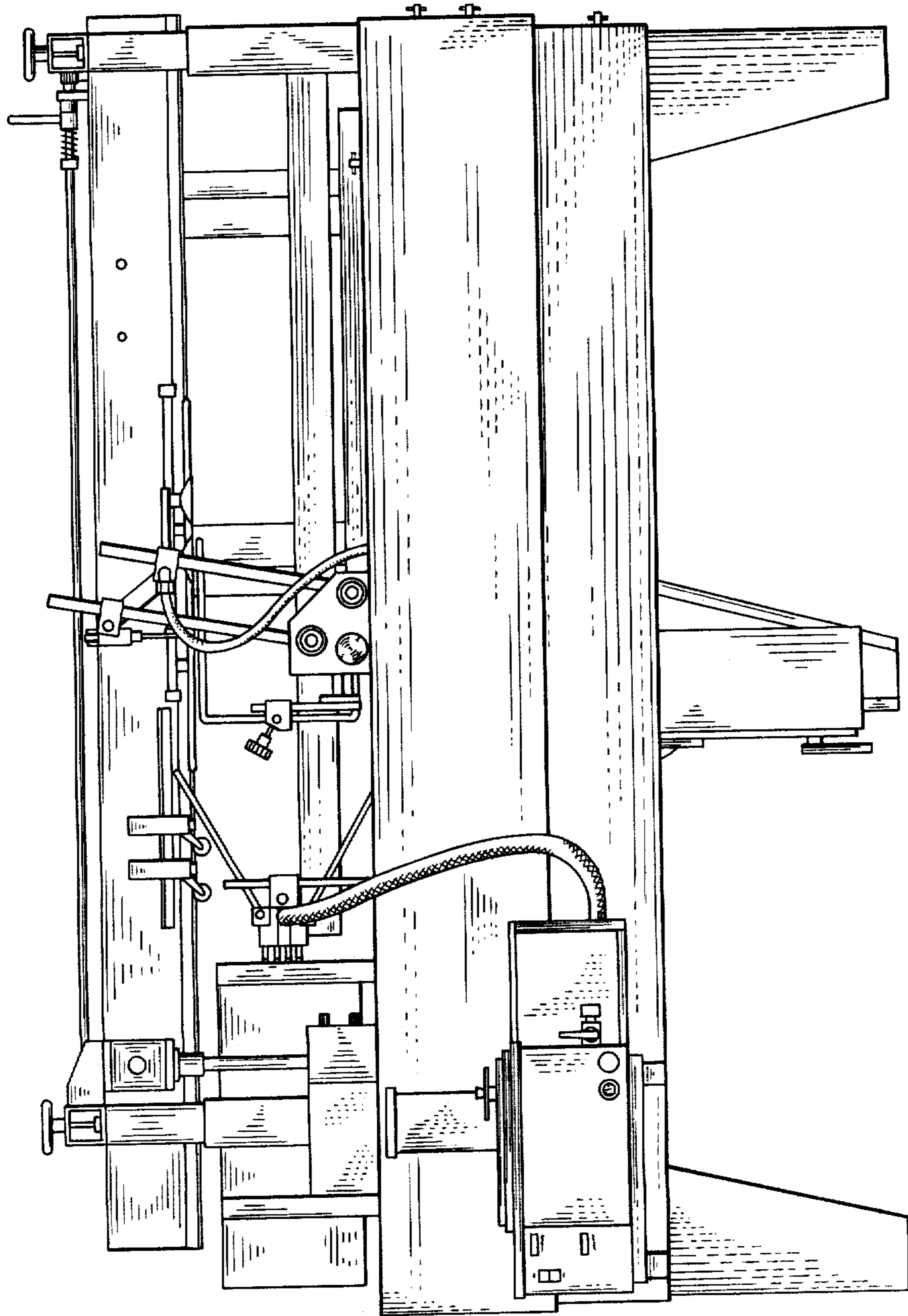


FIG. 6

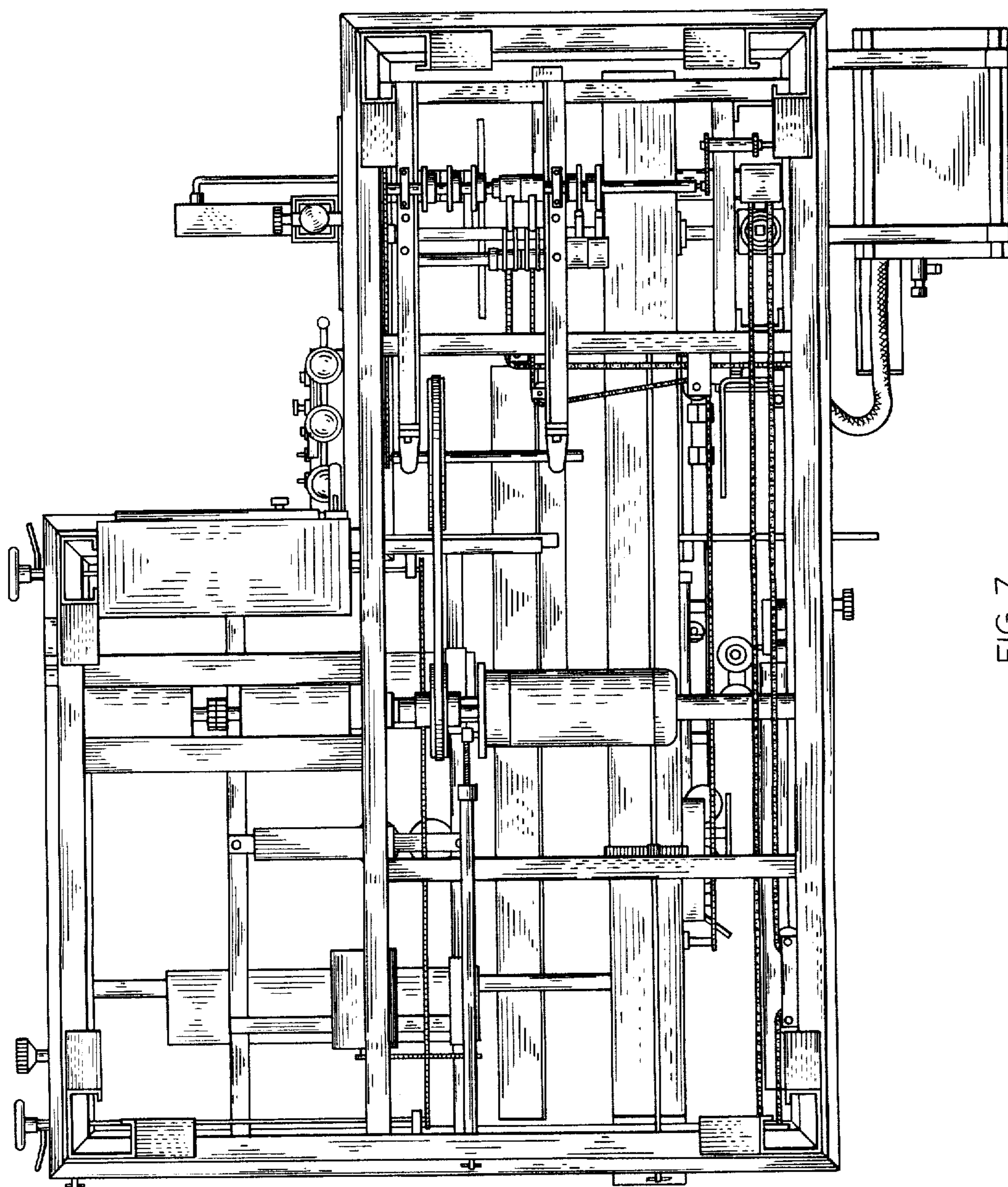


FIG. 7