

[54] CAN CRUSHER

[76] Inventor: Edwin J. Brown, Rte. 5, Box 612, Rogers, Ark. 72756

[**] Term: 14 Years

[21] Appl. No.: 198,871

[22] Filed: Oct. 20, 1980

[51] Int. Cl. D15-99

[52] U.S. Cl. D15/123; D8/51; 100/902

[58] Field of Search D8/51; D15/123; 100/902, 278, 233, 266, 245, 295

[56]

References Cited

U.S. PATENT DOCUMENTS

- D. 247,294 2/1978 Grable D15/123
- 3,776,129 12/1973 Carlson 100/902 X
- 4,213,387 7/1980 McCaney 100/245
- 4,333,397 6/1982 Modes 100/902 X

Primary Examiner—Bernard Ansher

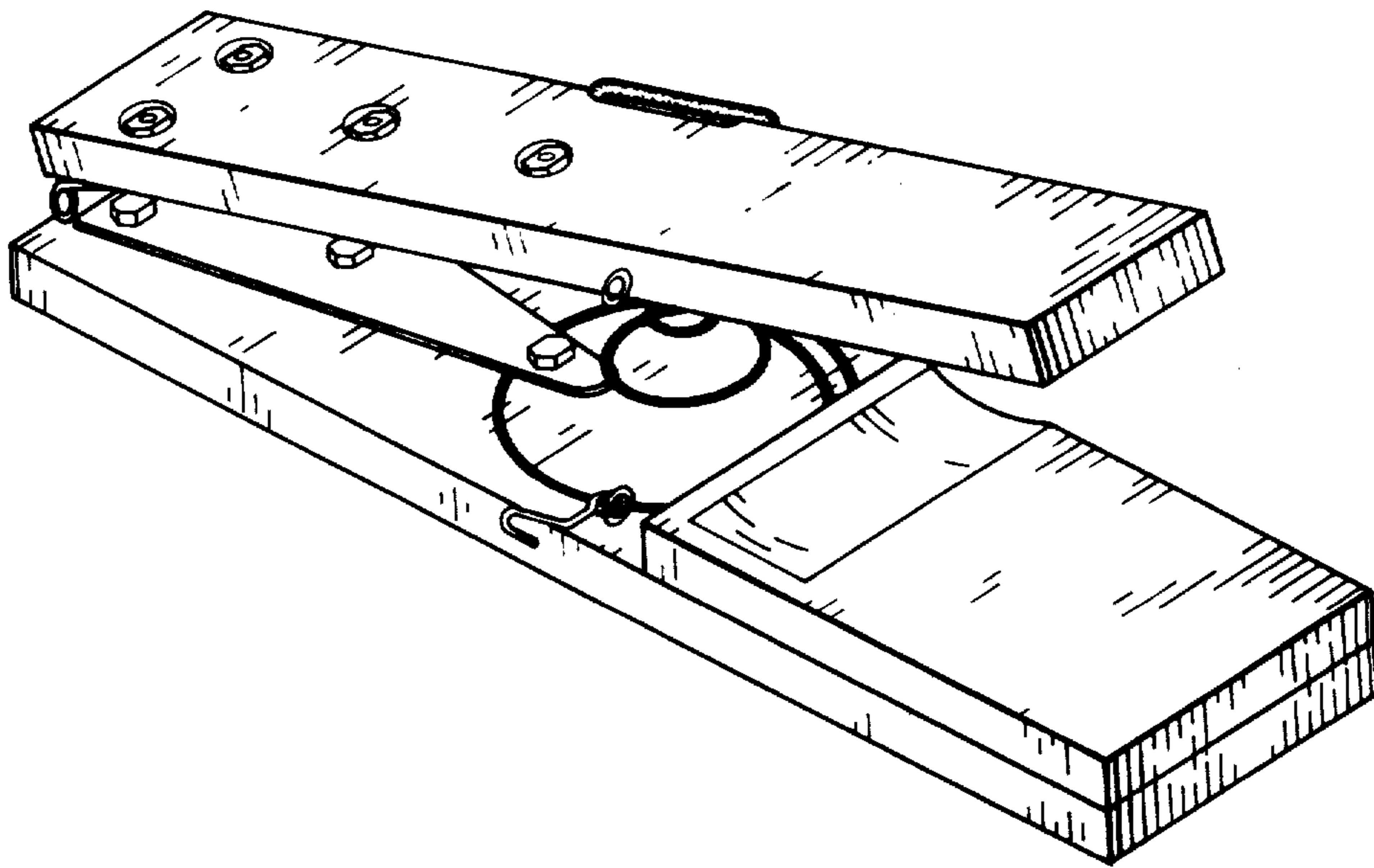
[57]

CLAIM

The ornamental design for a can crusher, as shown and described.

DESCRIPTION

FIG. 1 is a perspective view of a can crusher showing my new design;
 FIG. 2 is a side elevational view thereof;
 FIG. 3 is a top plan view thereof;
 FIG. 4 is a bottom plan view thereof;
 FIG. 5 is a rear end elevational view thereof; and
 FIG. 6 is a front end elevational view thereof.



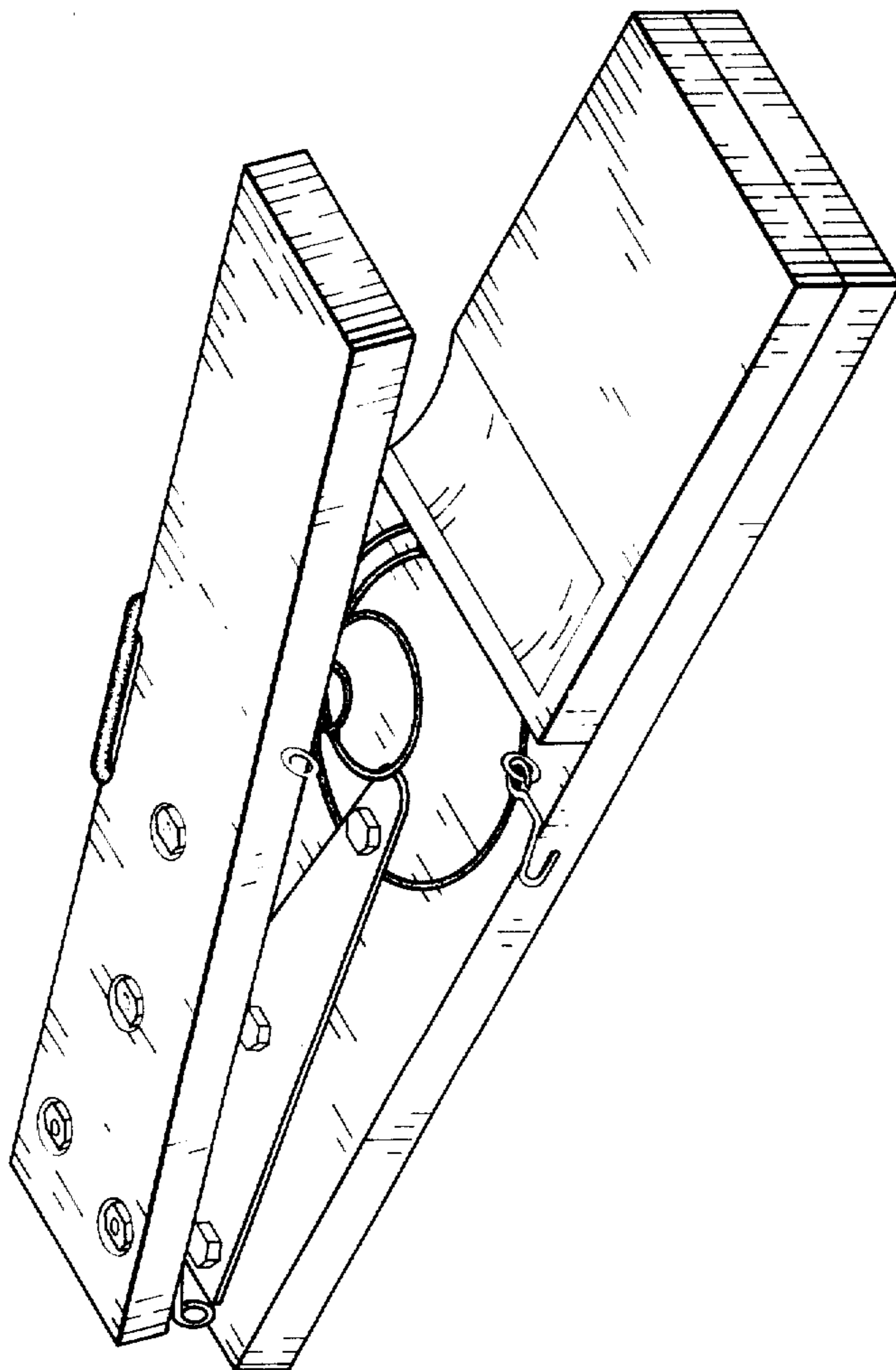


FIG. 1

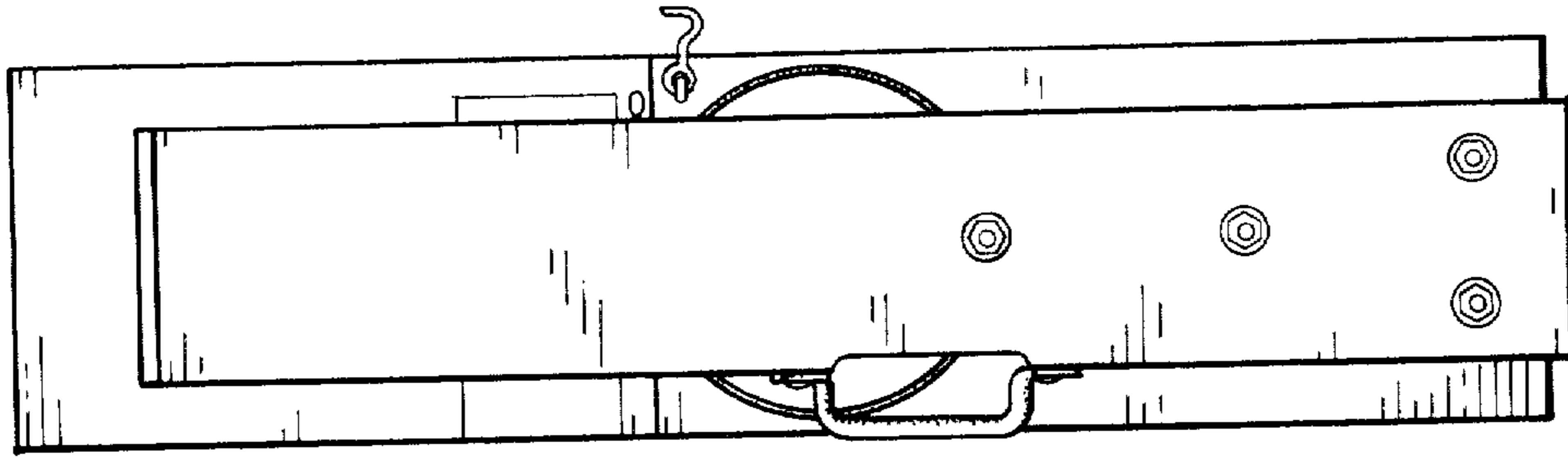


FIG. 3

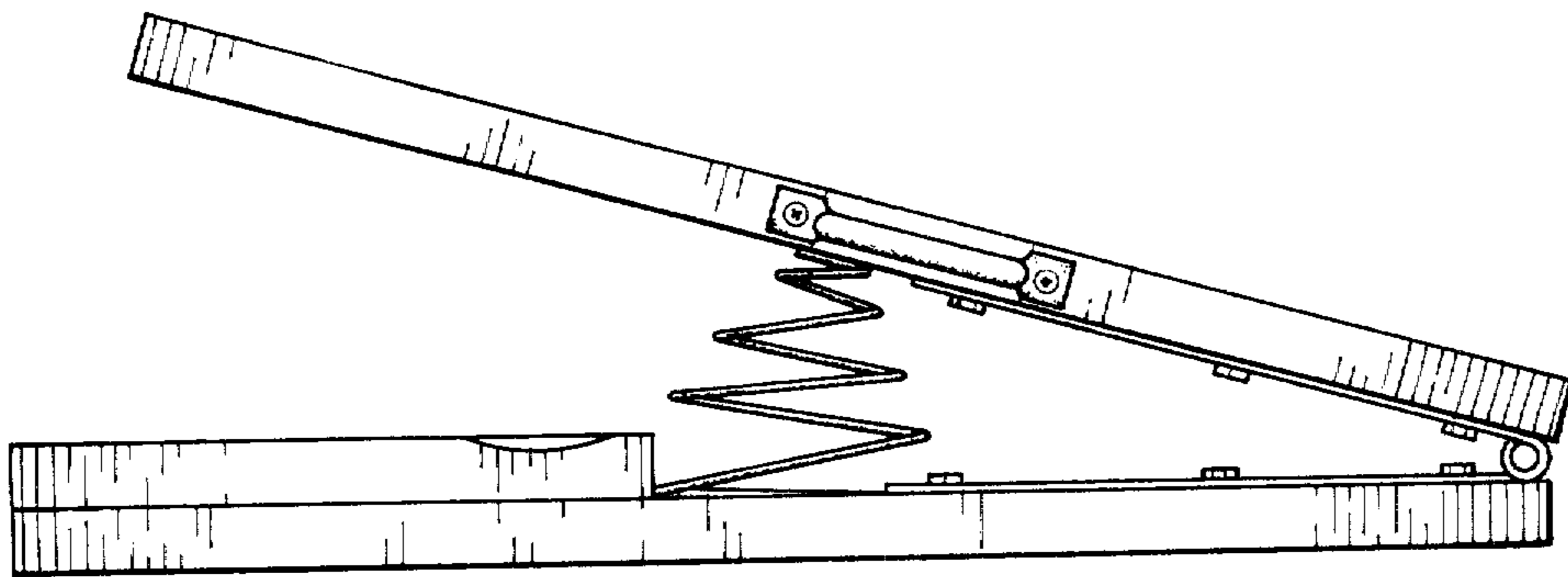


FIG. 2

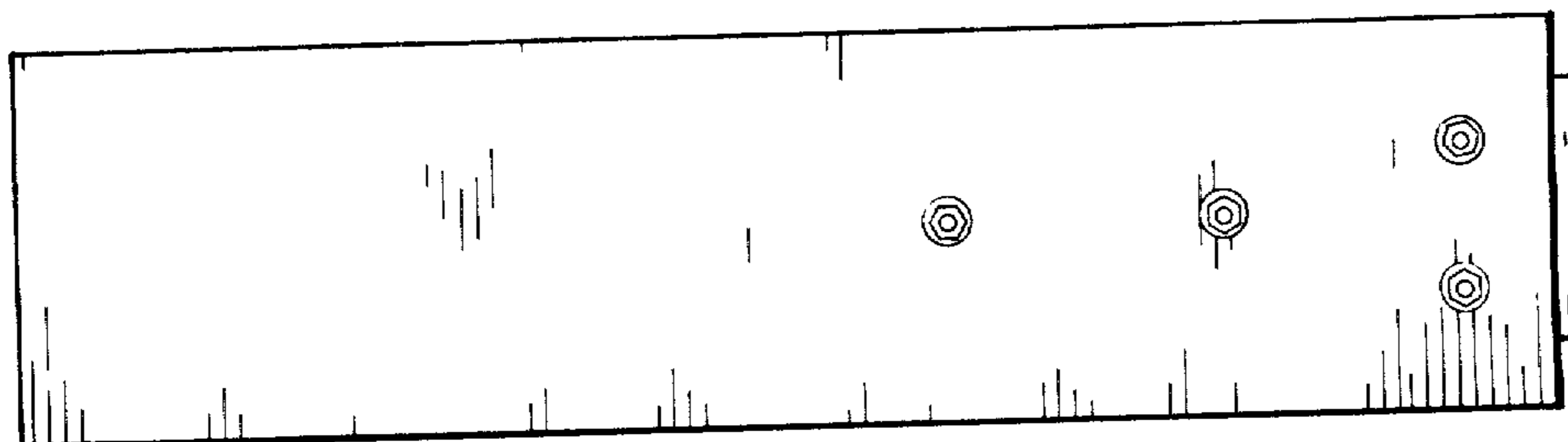


FIG. 4

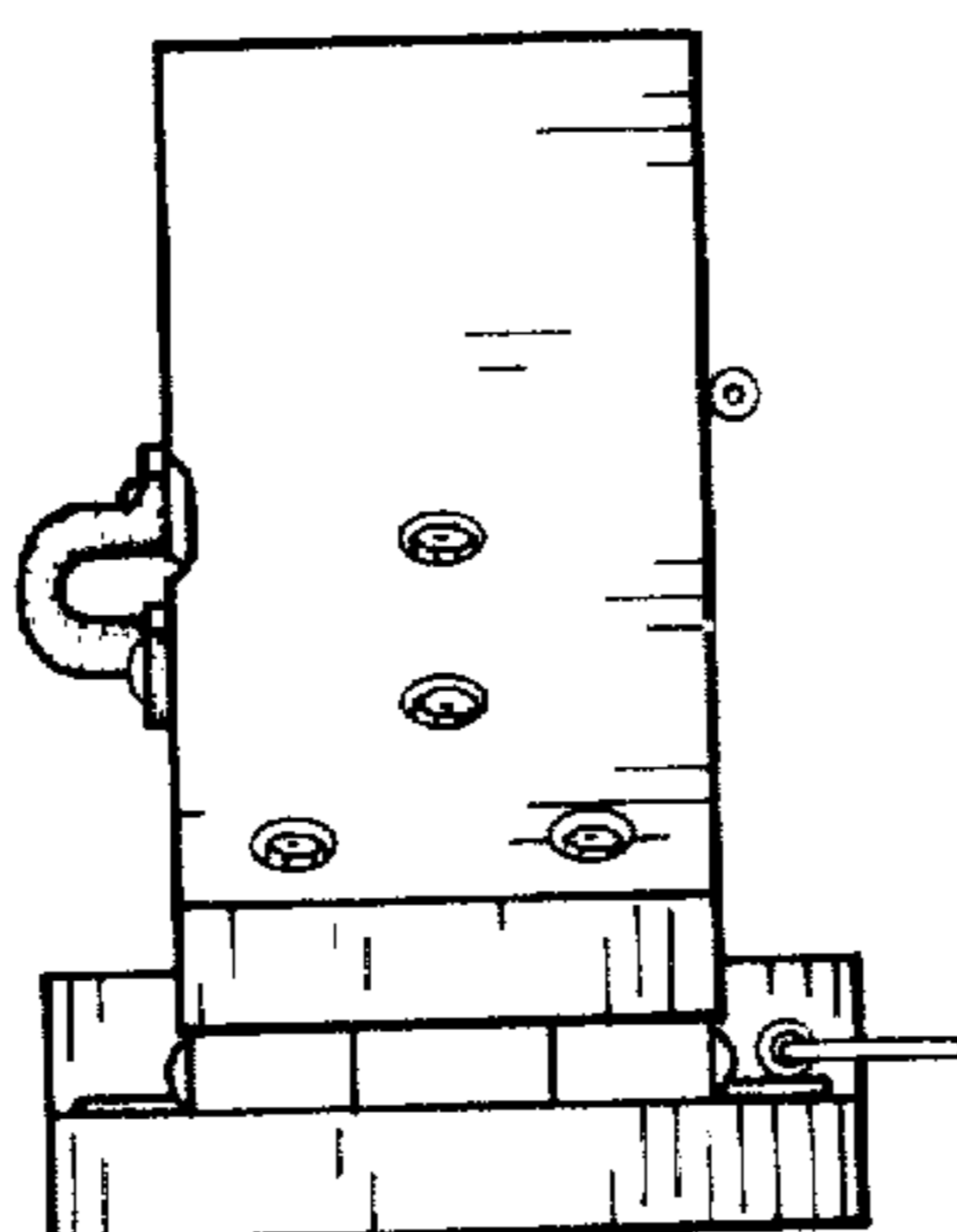


FIG. 5

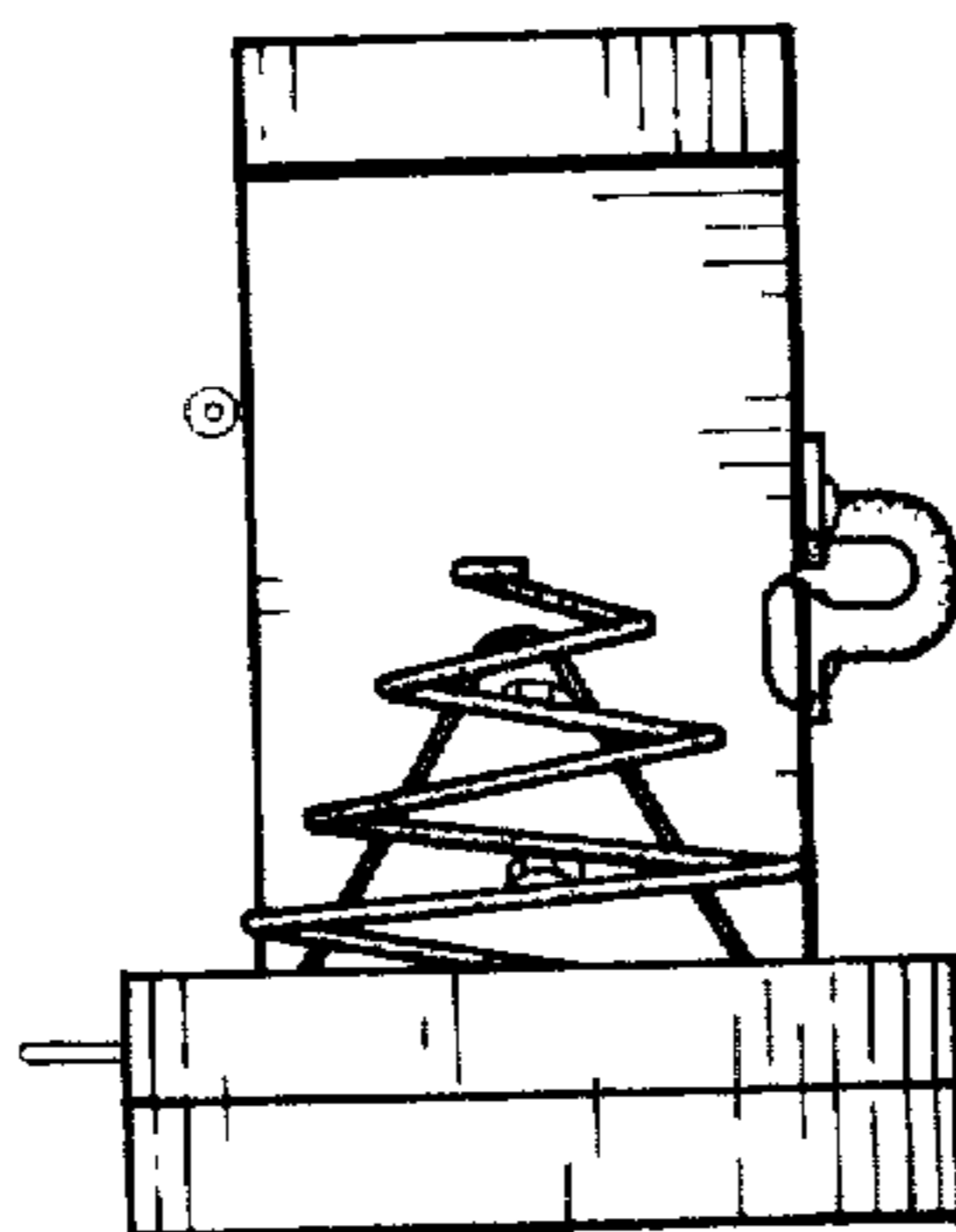


FIG. 6