

[54] SEWING MACHINE FRAME OR SIMILAR ARTICLE

[75] Inventor: Wayne A. Current, Holmdel, N.J.

[73] Assignee: The Singer Company, Stamford, Conn.

[\*\*] Term: 14 Years

[21] Appl. No.: 255,628

[22] Filed: Apr. 20, 1981

[51] Int. Cl. .... D15-06

[52] U.S. Cl. .... D15/76

[58] Field of Search ..... D15/66, 68, 69, 70, D15/71, 72, 73, 74, 75, 76, 78; 112/258, 259, 260, 270, 275, 277, 217.4

[56] References Cited

U.S. PATENT DOCUMENTS

- D. 170,335 9/1953 Park ..... D15/76
- D. 249,268 9/1978 Current ..... D15/69

- D. 250,116 10/1978 La Police ..... D15/69
- D. 264,088 4/1982 Sullivan et al. .... D15/69

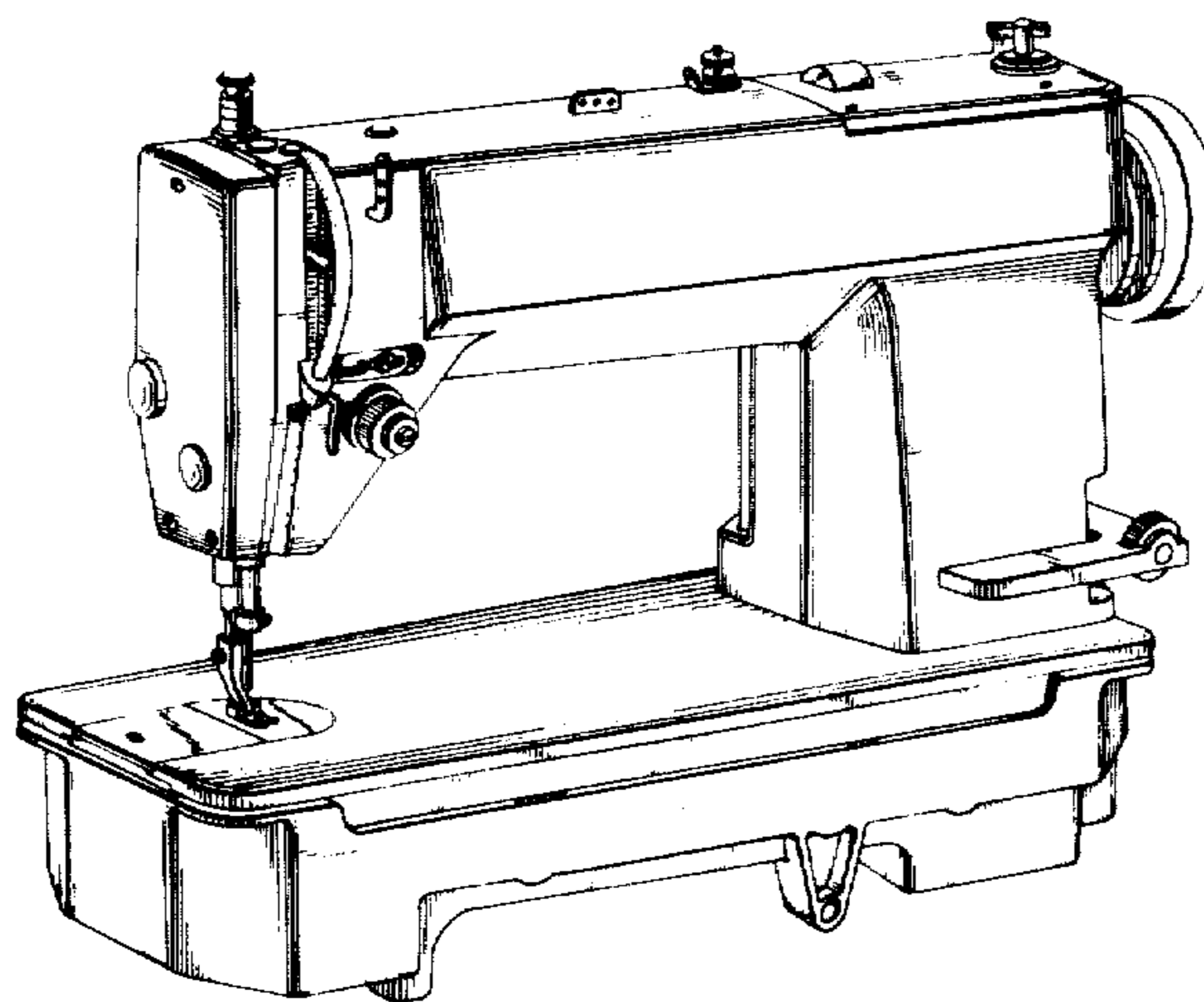
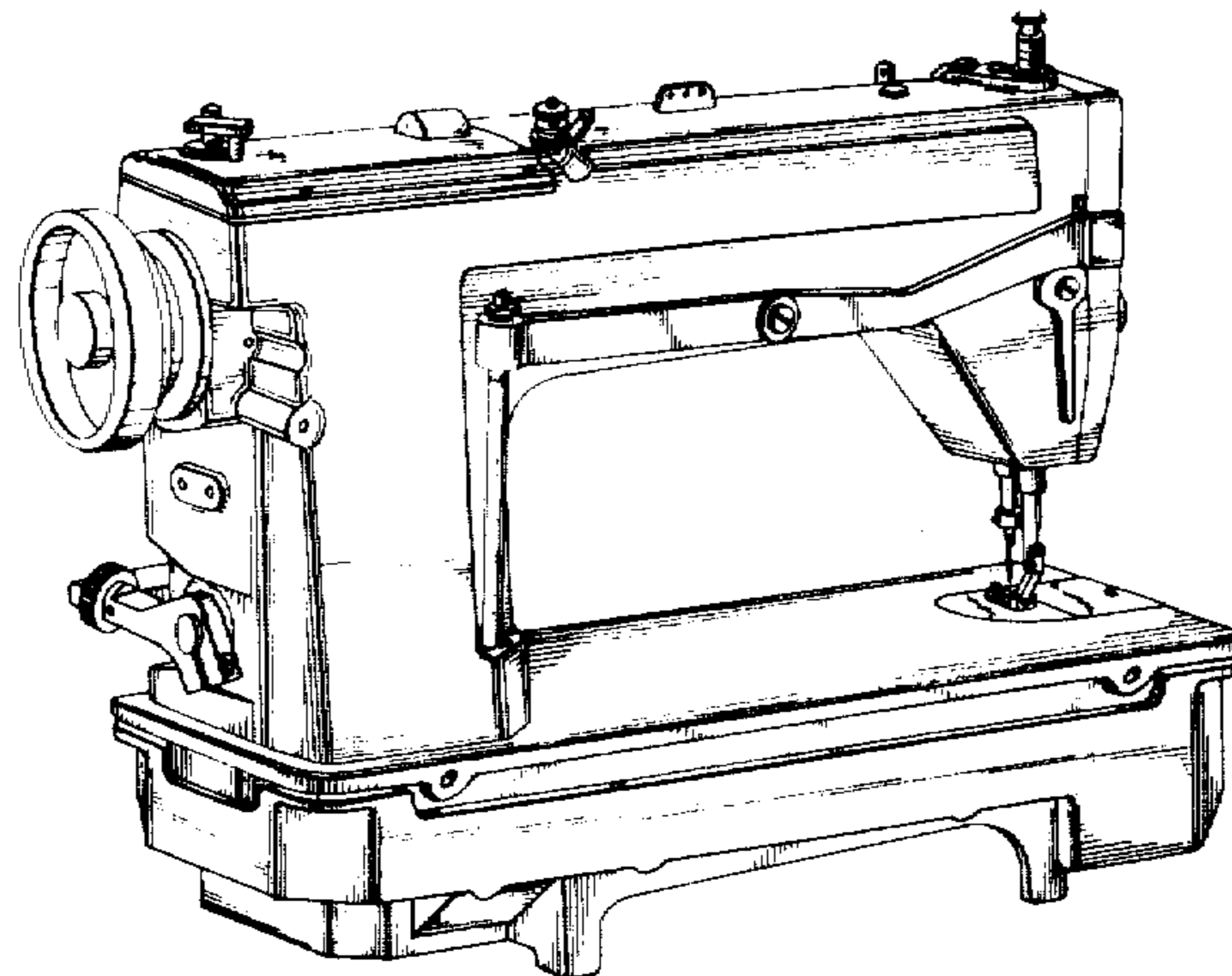
Primary Examiner—Joel Stearman  
 Assistant Examiner—Carmen H. Vales  
 Attorney, Agent, or Firm—Edward P. Schmidt; Robert E. Smith; Edward L. Bell

[57] CLAIM

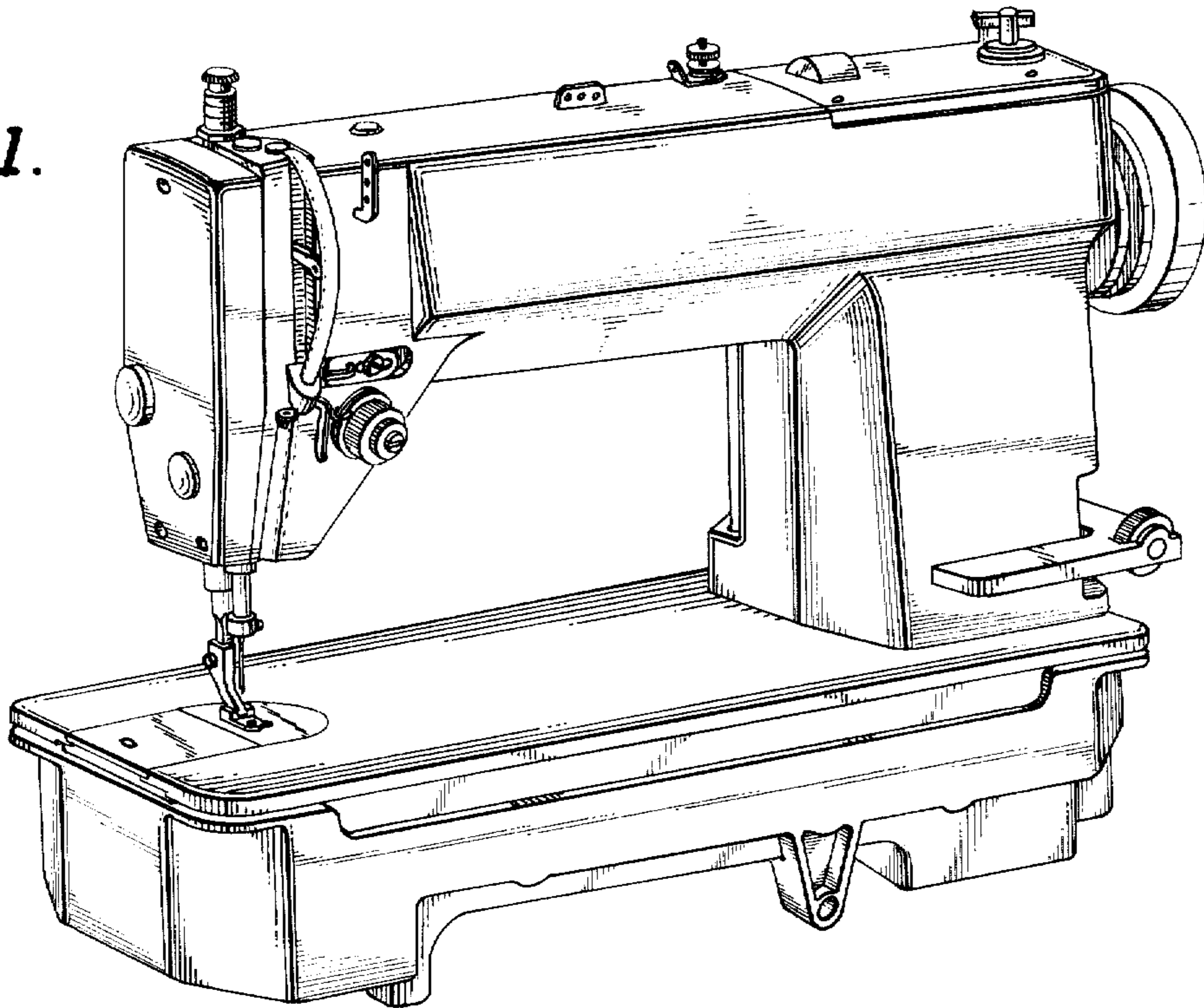
The ornamental design for a sewing machine frame or similar article, as shown and described.

DESCRIPTION

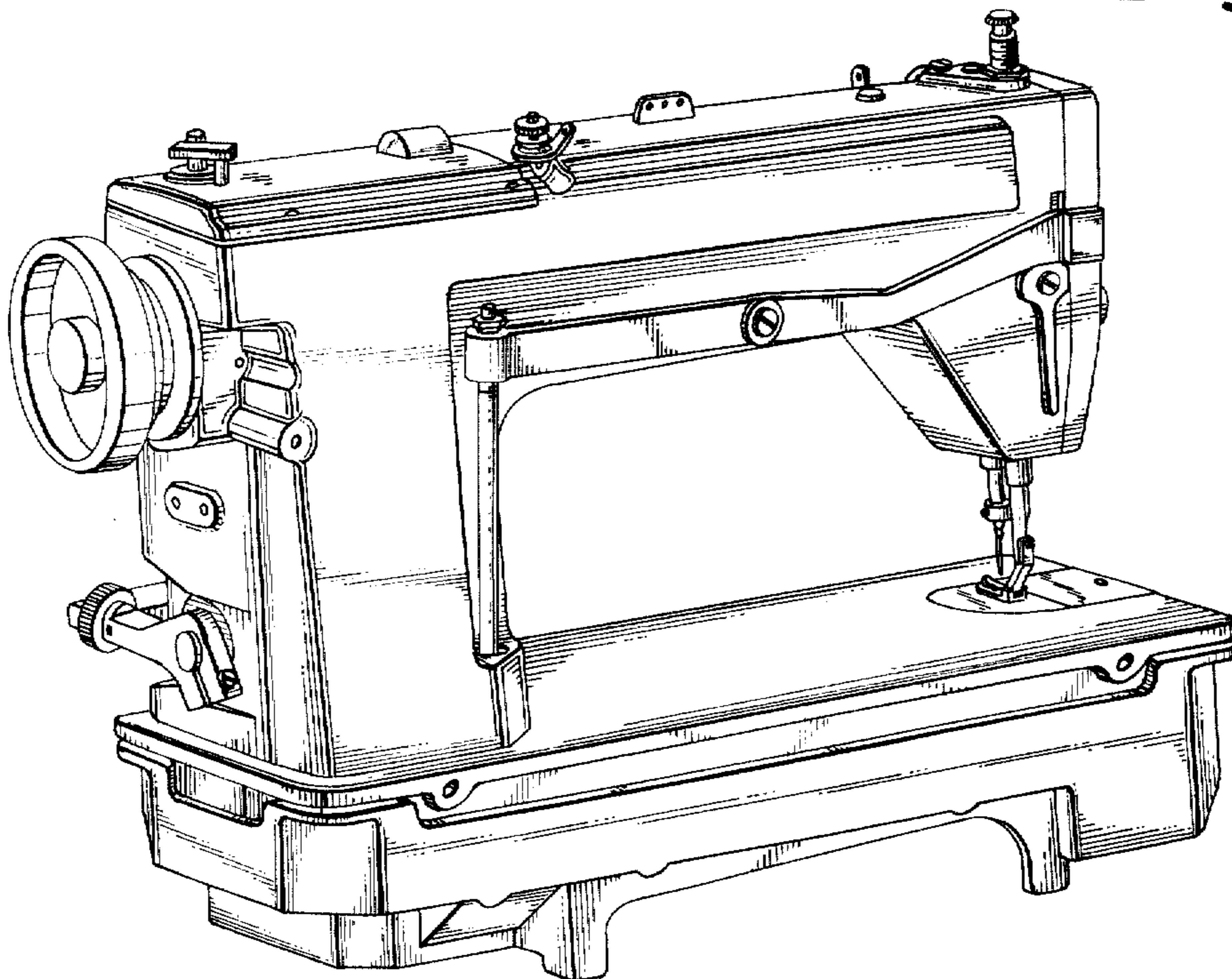
FIG. 1 is a front, top and left side perspective view of a sewing machine frame or similar article showing my new design;  
 FIG. 2 is a rear, top and right side perspective view;  
 FIG. 3 is a front elevational view;  
 FIG. 4 is a rear elevational view;  
 FIG. 5 is a top plan view;  
 FIG. 6 is a left side elevational view;  
 FIG. 7 is a right side elevational view; and,  
 FIG. 8 is a bottom plan view.



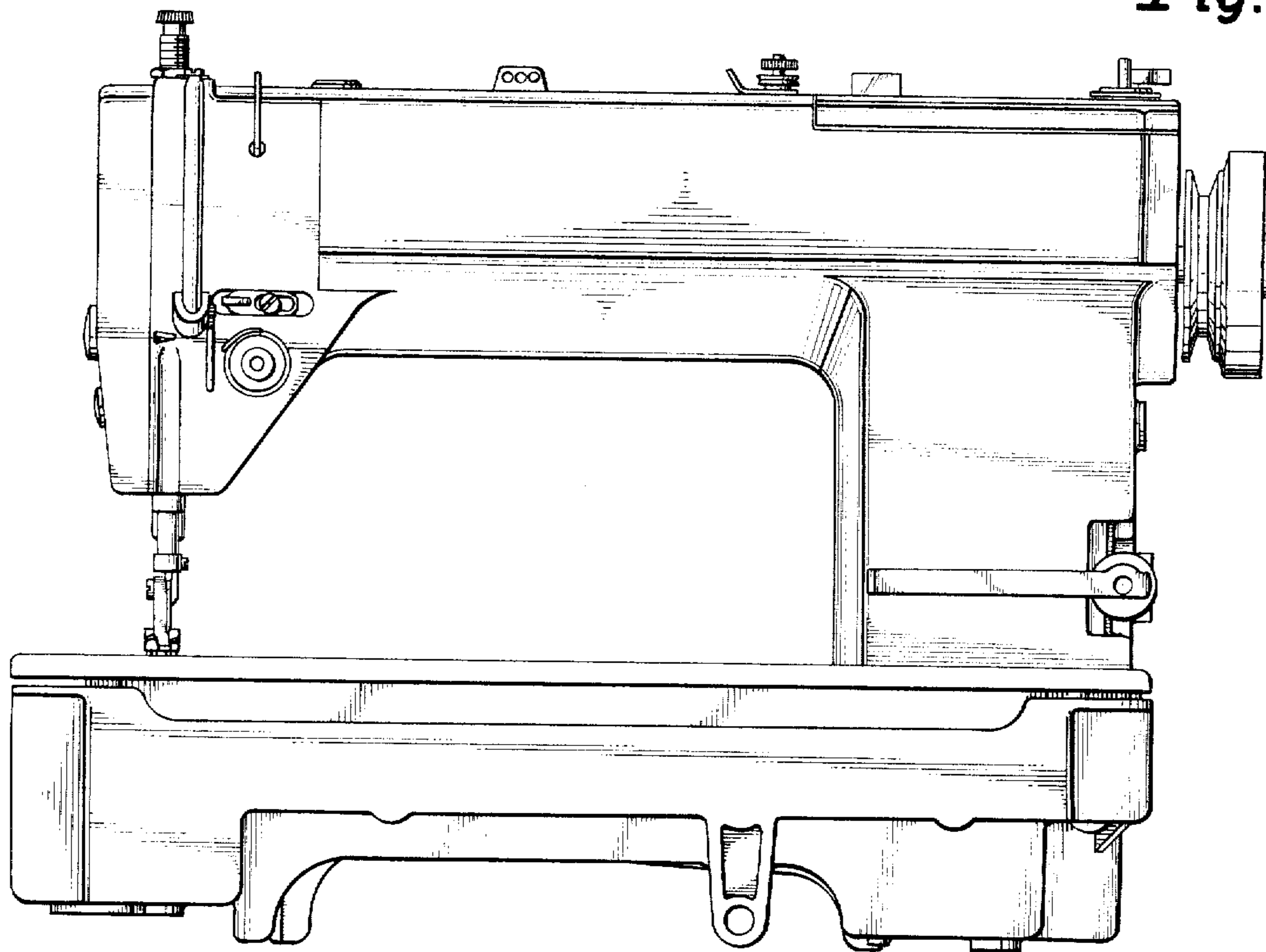
*Fig. 1.*



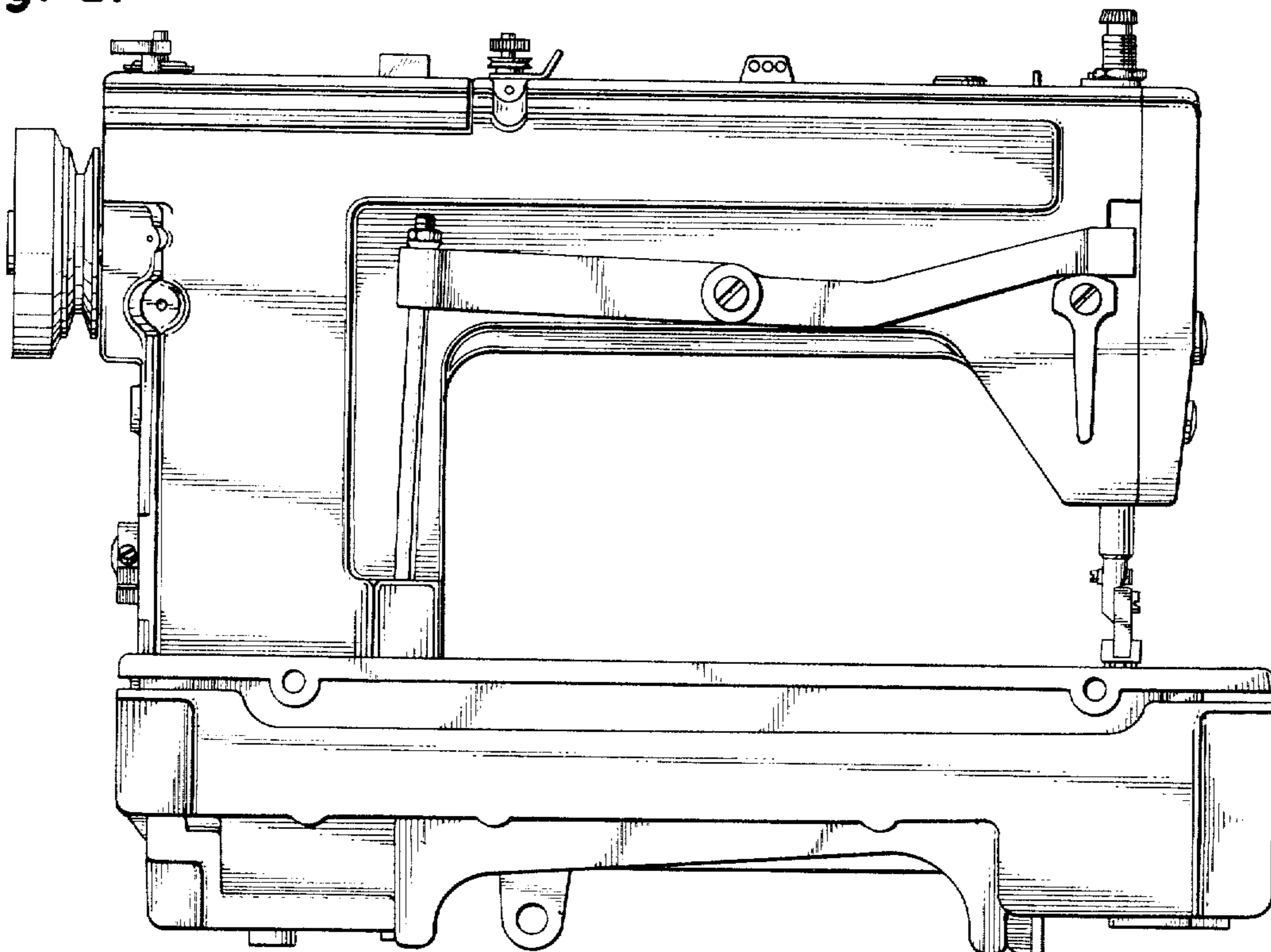
*Fig. 2.*



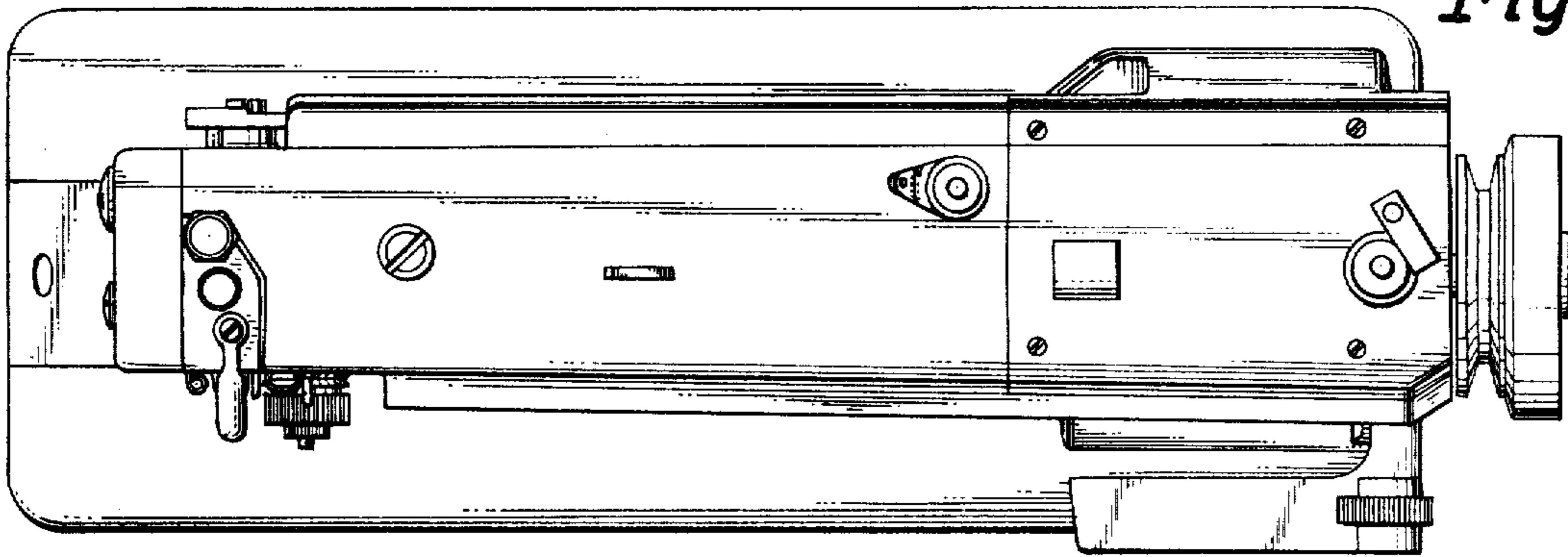
*Fig. 3.*



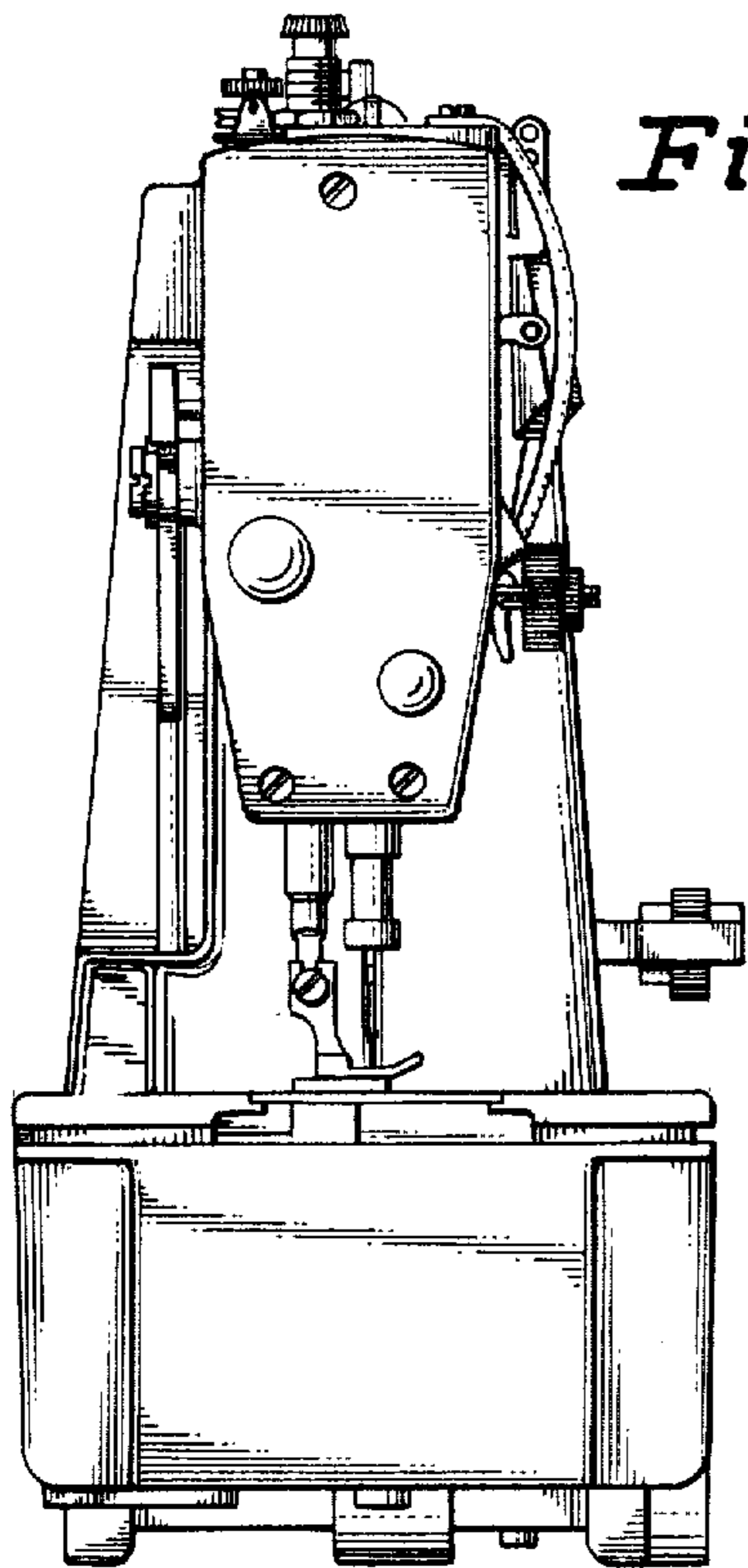
*Fig. 4.*



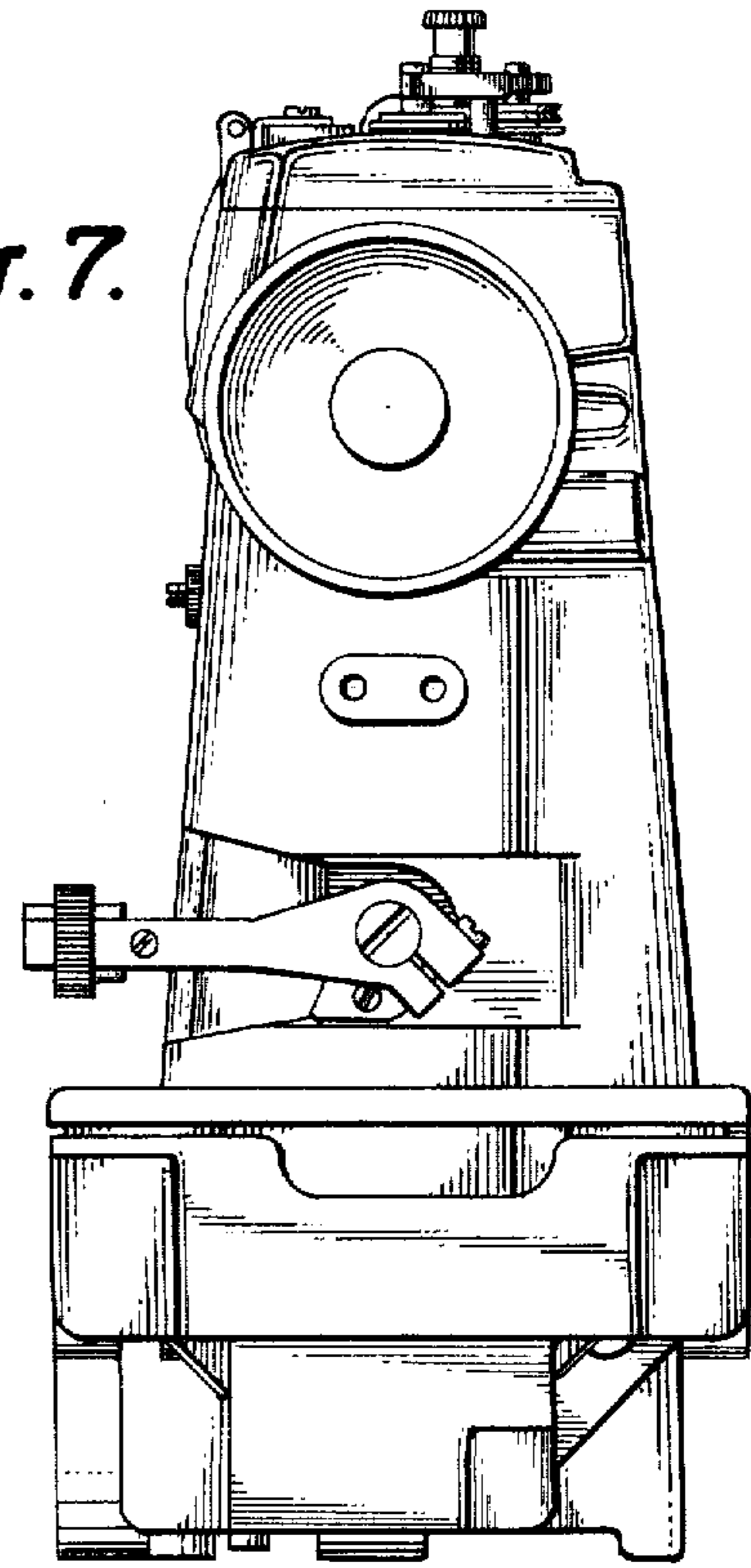
*Fig. 5.*



*Fig. 6.*



*Fig. 7.*



*Fig. 8.*

