

[54] COMBINED TAPE RECORDER AND RADIO OR SIMILAR ARTICLE

[75] Inventor: Fuminori Yamagata, Yokohama, Japan

[73] Assignee: General Electric Company, New York, N.Y.

[**] Term: 14 Years

[21] Appl. No.: 258,944

[22] Filed: Apr. 30, 1981

[51] Int. Cl. D14-01; D14-03

[52] U.S. Cl. D14/5; D14/6; D14/33; D14/70; D14/72

[58] Field of Search D14/1, 2, 5-7, D14/10, 33, 68, 70-76, 99

[56]

References Cited

U.S. PATENT DOCUMENTS

- D. 240,657 7/1976 Sugawara D14/5
- D. 254,374 3/1980 Kawano D14/70
- D. 262,017 11/1981 Frakes D14/70 X
- D. 263,221 3/1982 Hisano et al. D14/6 X

OTHER PUBLICATIONS

Evans 1979-1980 Cat., ©1979, p. 267yx, Item #3, Sony HST-69 Receiver.

Primary Examiner—Jane E. Corrigan
Attorney, Agent, or Firm—Leonard J. Platt; George R. Powers; John F. Cullen

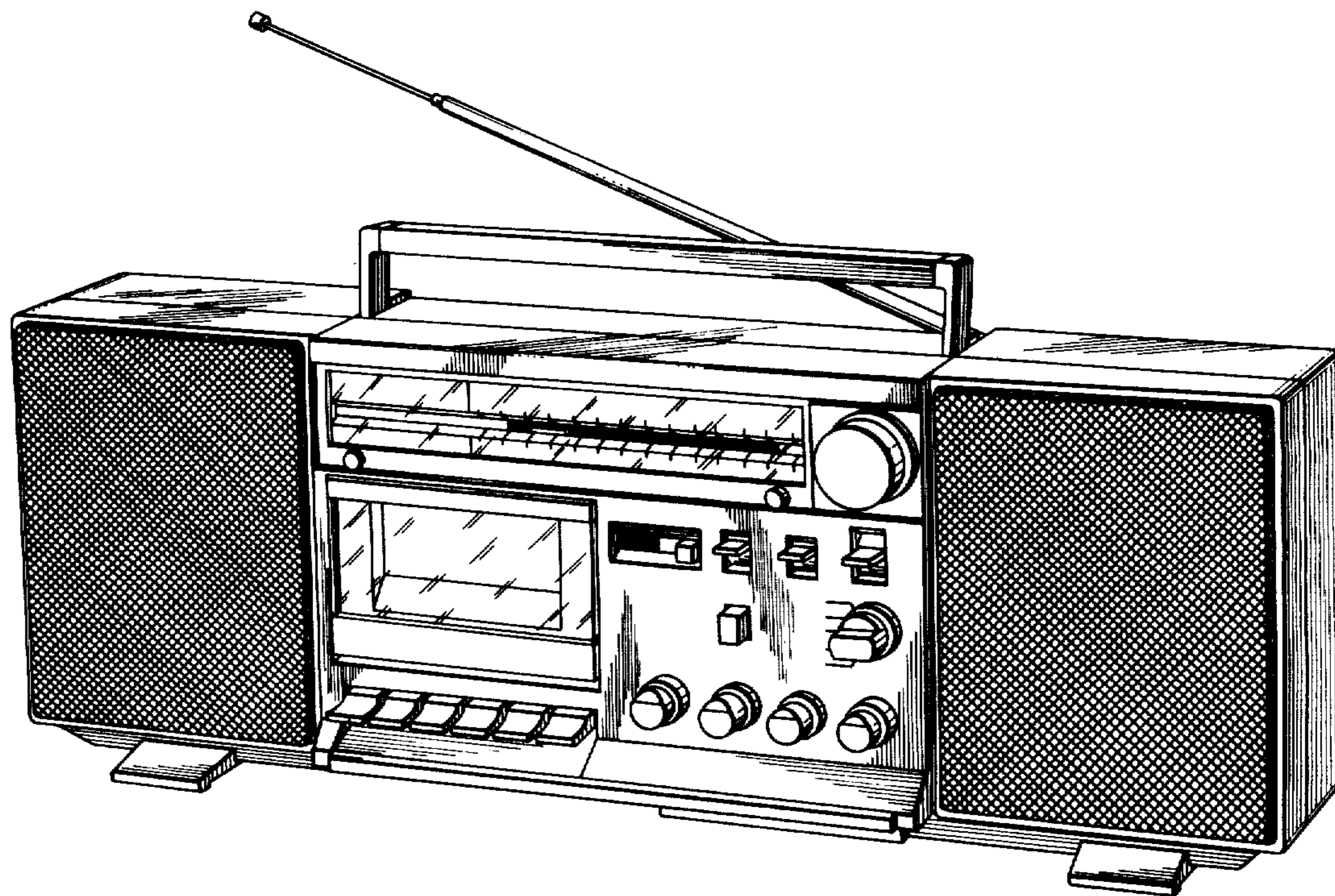
[57]

CLAIM

The ornamental design for a combined tape recorder and radio or similar article, as shown.

DESCRIPTION

FIG. 1 is a front and top perspective view of a combined tape recorder and radio or similar article showing my new design; and FIG. 2 is a rear and bottom perspective view.



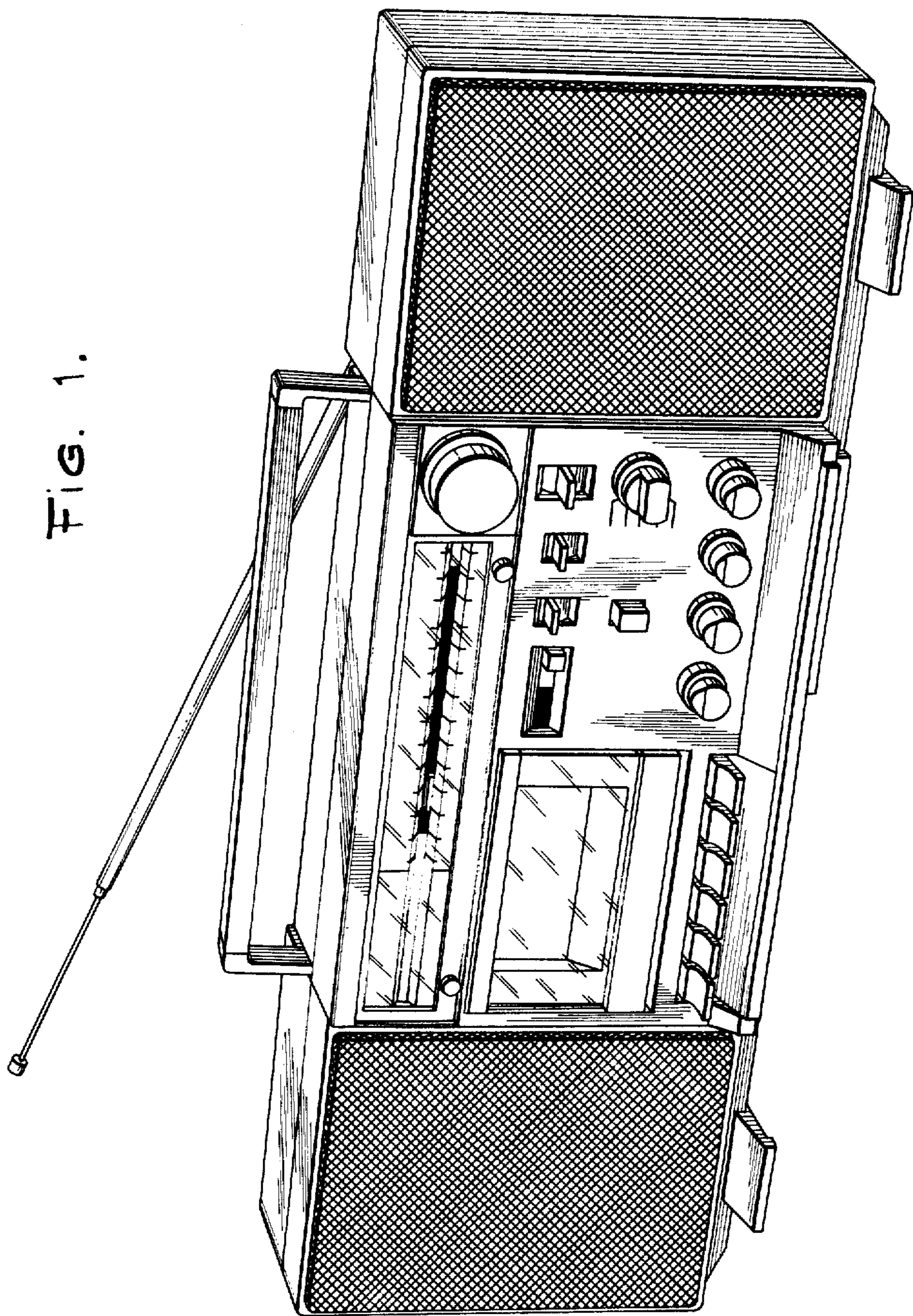


FIG. 1.

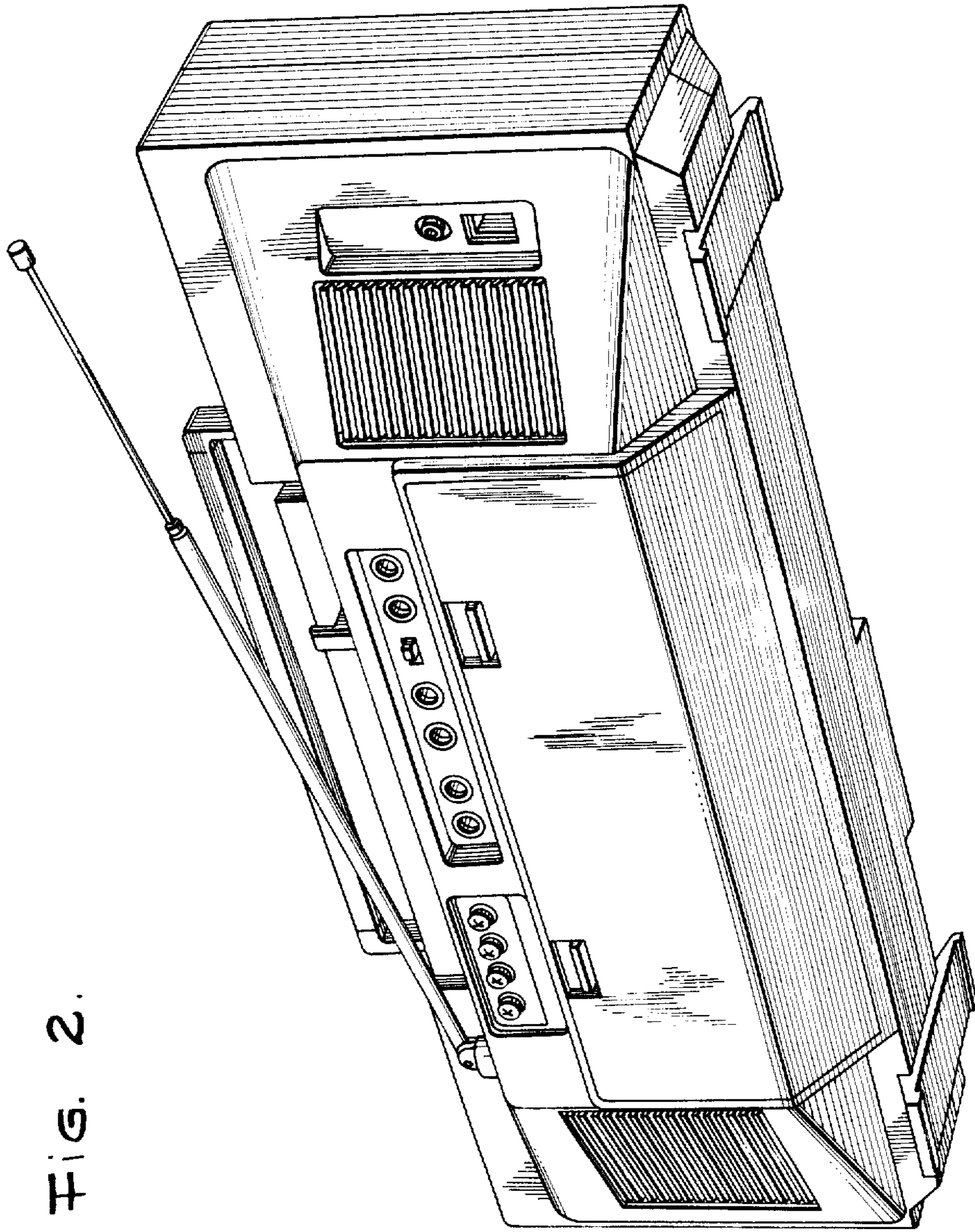


FIG. 2.