

[54] WHEEL COVER

[75] Inventor: Frank T. Eichstadt, Westminster, Calif.
[73] Assignee: Orion Industries, Inc., Carson, Calif.
[**] Term: 14 Years
[21] Appl. No.: 275,735
[22] Filed: Jun. 22, 1981

[51] Int. Cl. D12-16
[52] U.S. Cl. D12/209
[58] Field of Search D12/205, 211, 209;
301/64 R, 64 SD, 64, 65, 66, 37 R, 37 CM, 37 SS

[56] References Cited

U.S. PATENT DOCUMENTS

D. 203,931 3/1966 Hibbard D12/211

OTHER PUBLICATIONS

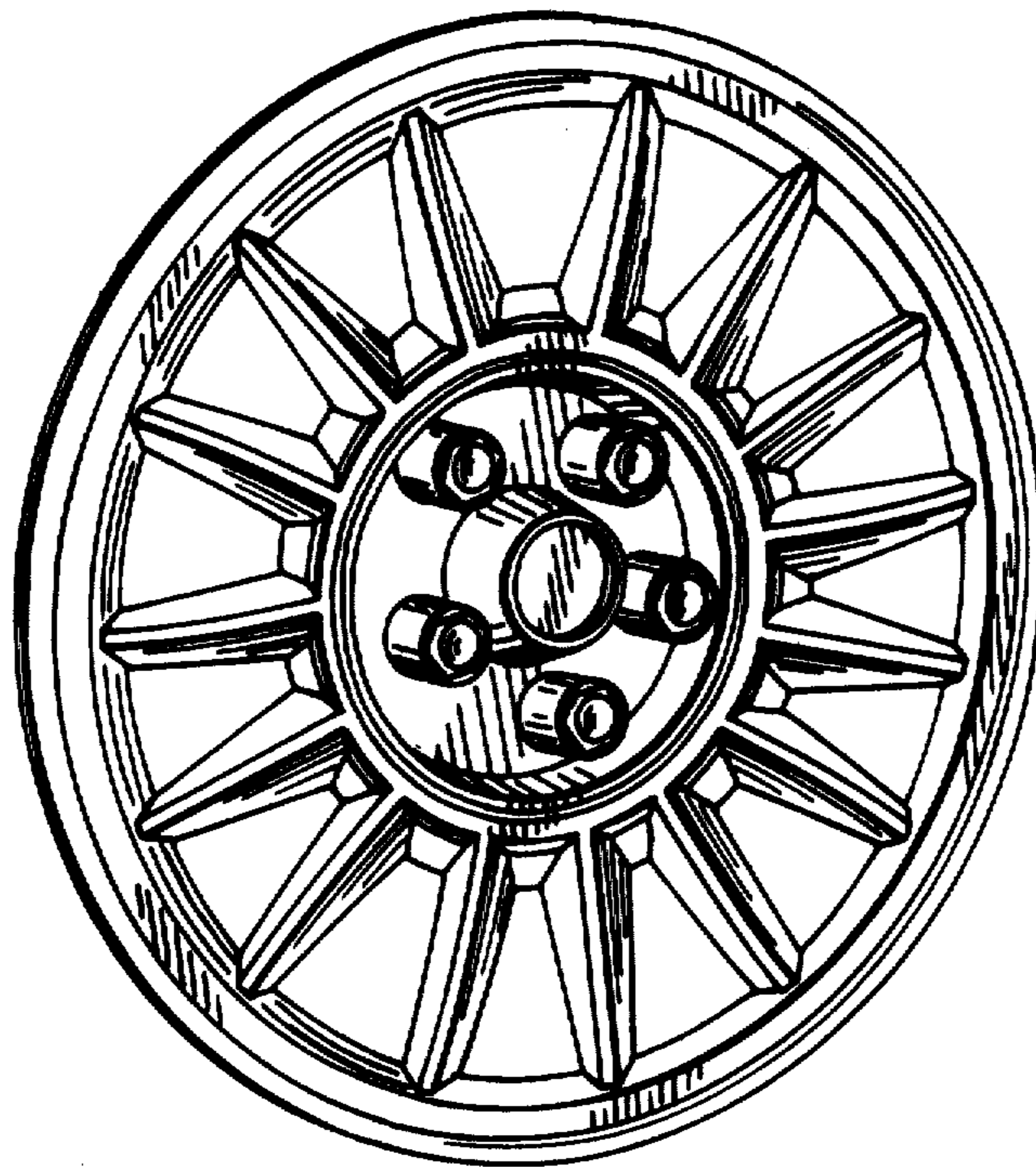
Electrodyne Catalog, Spring 1981, p. 10, Style B Wheel, top left side of page.
Electrodyne Catalog, Spring 1981, p. 11, BMW Wheel, bottom left side of page.
Primary Examiner—James M. Gandy
Attorney, Agent, or Firm—Fulwider, Patton, Rieber, Lee & Utecht

[57] CLAIM

The ornamental design for a wheel cover, substantially as shown and described.

DESCRIPTION

FIG. 1 is a front perspective view of a wheel cover showing my new design;
FIG. 2 is a front elevational view thereof in enlarged scale;
FIG. 3 is a rear elevational view of FIG. 2;
FIG. 4 is a top plan view of FIG. 2;
FIG. 5 is a bottom plan view of FIG. 2.



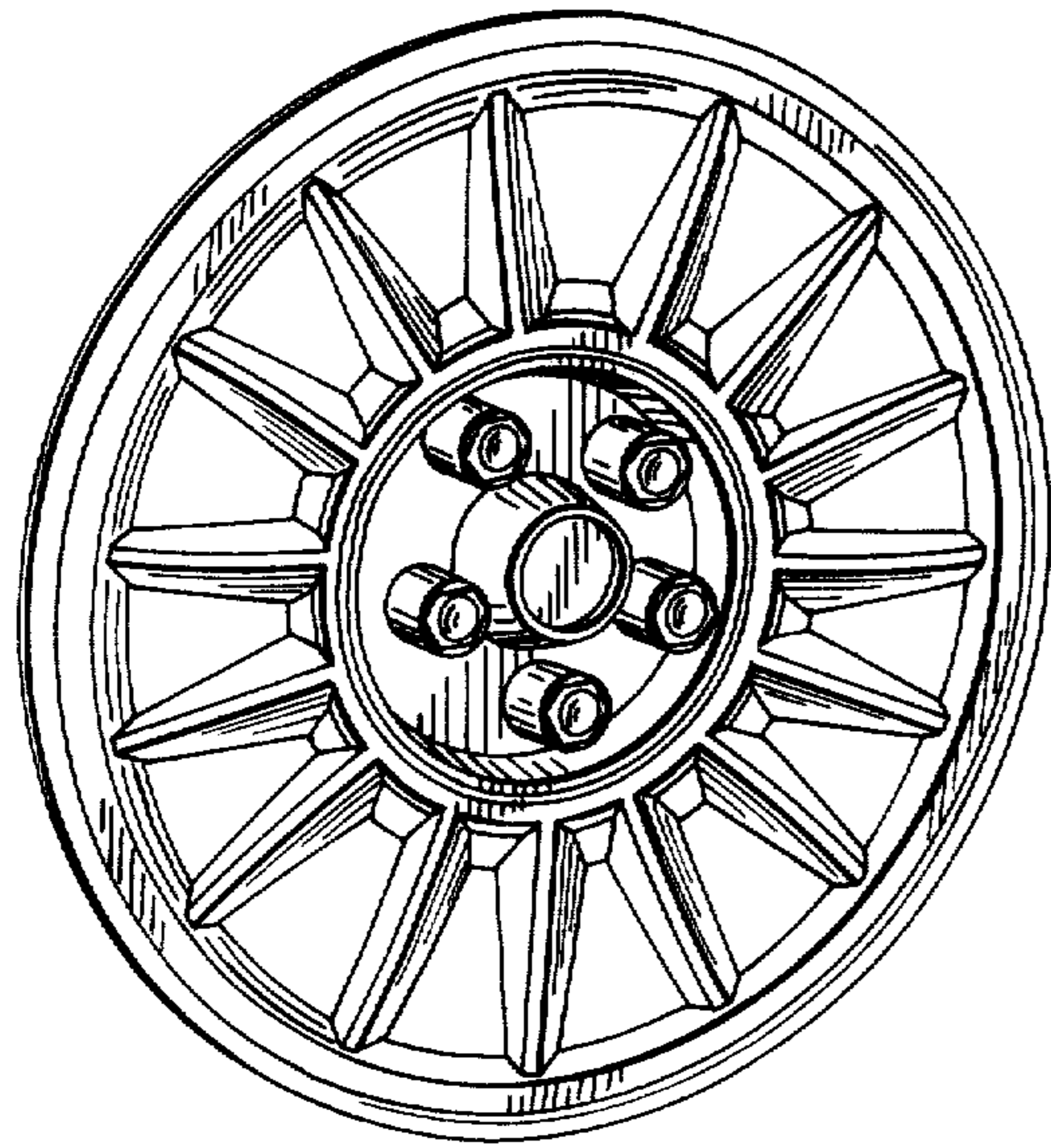


FIG. 1

FIG. 2

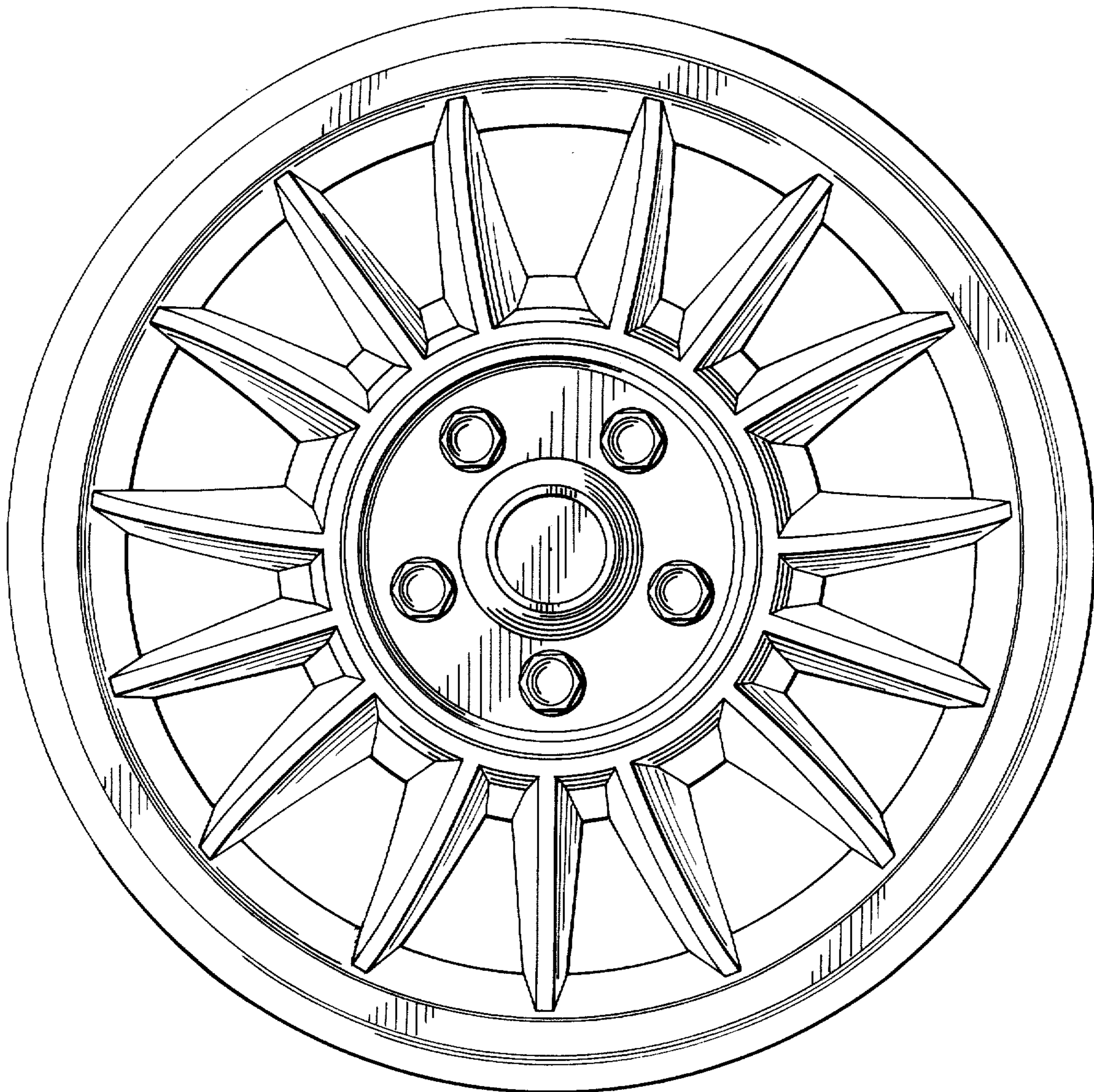


FIG. 3

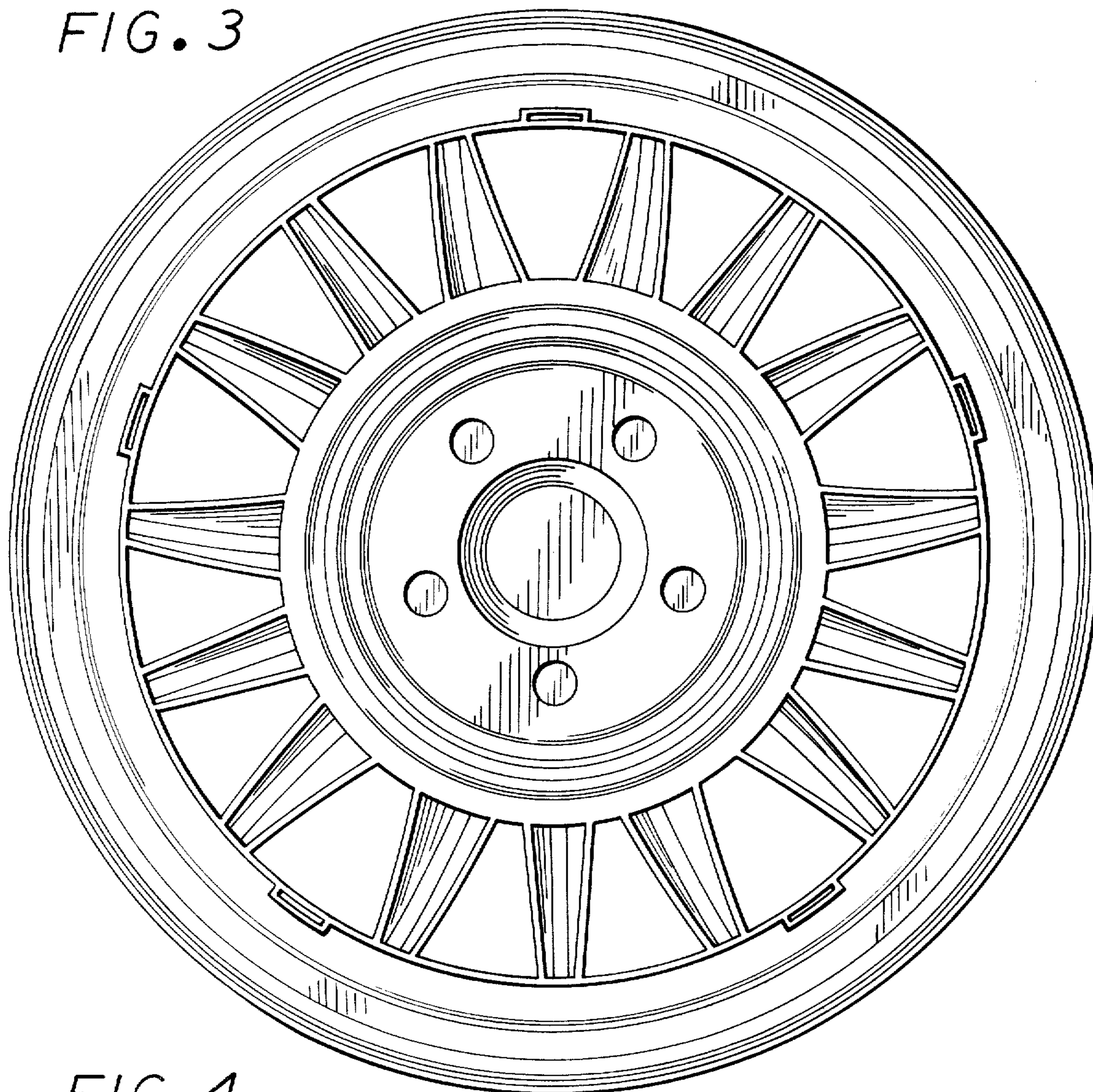


FIG. 4

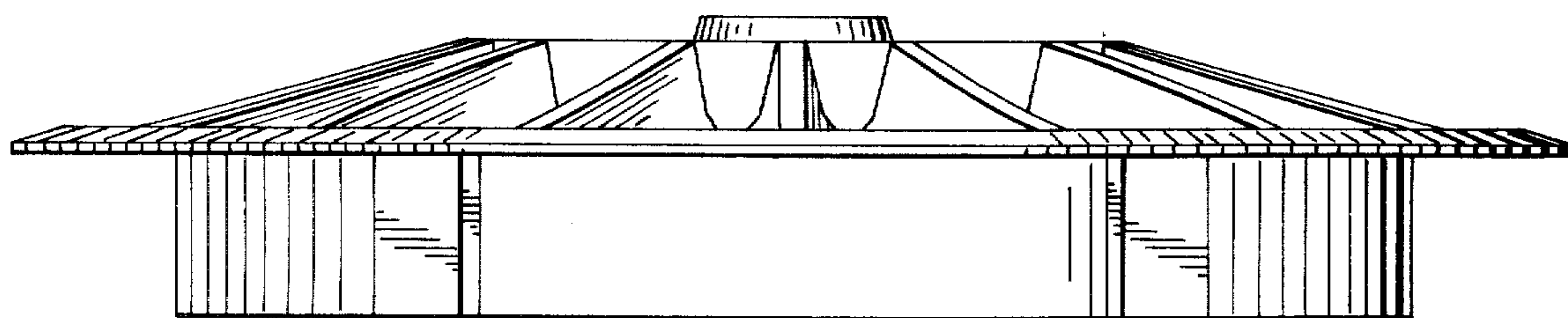
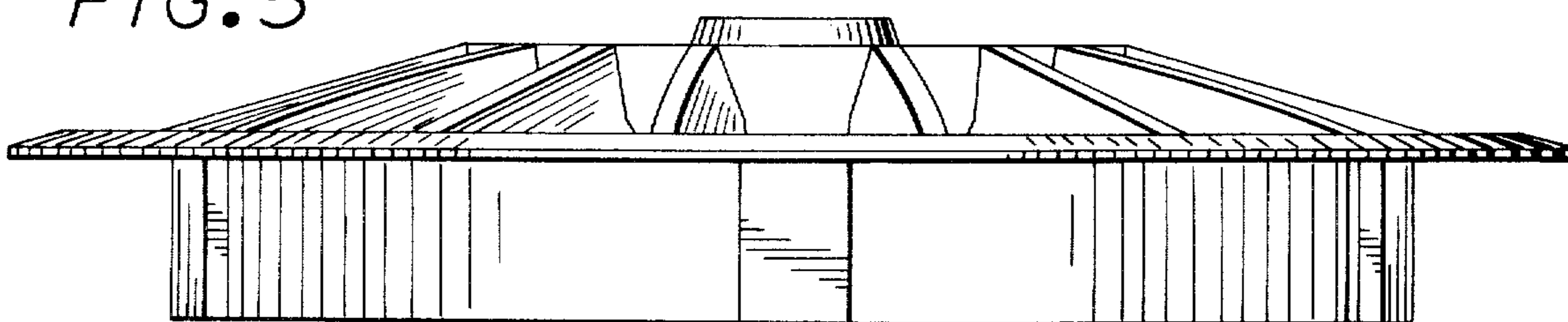


FIG. 5



Disclaimer

Des. 268,750.—*Frank T. Eichstadt*, Westminster, Calif. WHEEL COVER. Patent dated Apr. 26, 1983.
Disclaimer filed Mar. 29, 1989, by the assignee, Mr. Gasket Co.

Hereby enters this disclaimer to the entire term of said patent.
[*Official Gazette May 9, 1989*]