

[54] **ELECTRONIC CALIPER**

[75] **Inventor: Jan Hampf, Saeroc, Sweden**

[73] **Assignee: C. E. Johansson AB, Eskilstuna, Sweden**

[\*\*] **Term: 14 Years**

[21] **Appl. No.: 233,780**

[22] **Filed: Feb. 12, 1981**

[30] **Foreign Application Priority Data**

Aug. 14, 1980 [SE] Sweden ..... 80-1522

[51] **Int. Cl. .... D10-04**

[52] **U.S. Cl. .... D10/73**

[58] **Field of Search ..... D10/73; 33/143 L, 147 N**

[56] **References Cited**

**U.S. PATENT DOCUMENTS**

D. 233,787 11/1974 Uchino ..... D10/73  
D. 235,627 7/1975 Uchino ..... D10/73  
D. 255,998 7/1980 Merchant ..... D10/73  
D. 257,012 9/1980 Sibukawa ..... D10/73  
4,229,883 10/1980 Kobashi ..... 33/143 L

**FOREIGN PATENT DOCUMENTS**

2710312 9/1978 Fed. Rep. of Germany .... 33/143 L  
52-67354 6/1977 Japan ..... 33/143 L

*Primary Examiner*—Nelson C. Holtje  
*Attorney, Agent, or Firm*—Fisher, Christen & Sabol

[57] **CLAIM**

The ornamental design for an electronic caliper, as shown.

**DESCRIPTION**

FIG. 1 is a front perspective view of an electronic caliper showing my new design;  
FIG. 2 is a rear perspective view thereof.

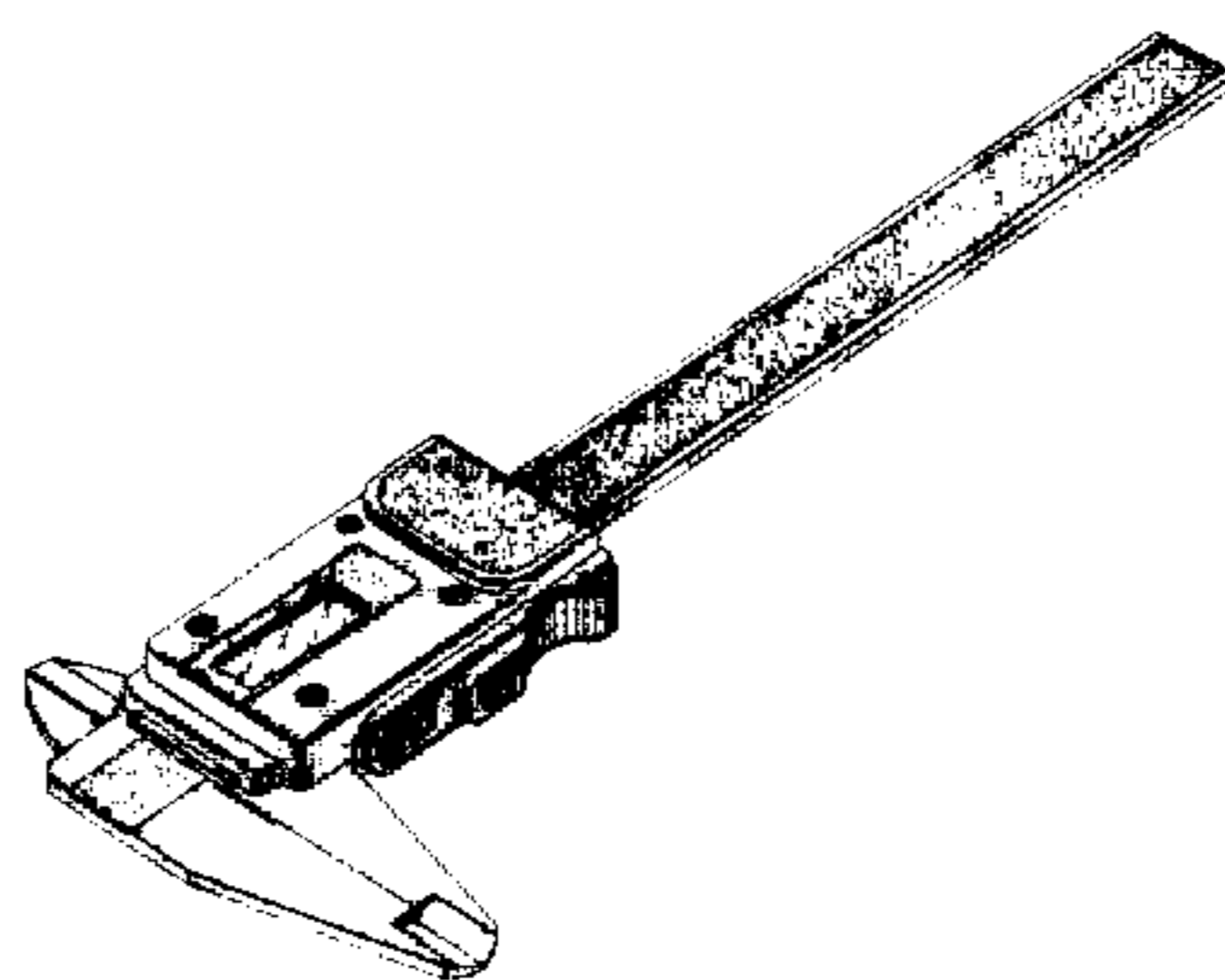


FIG. 1

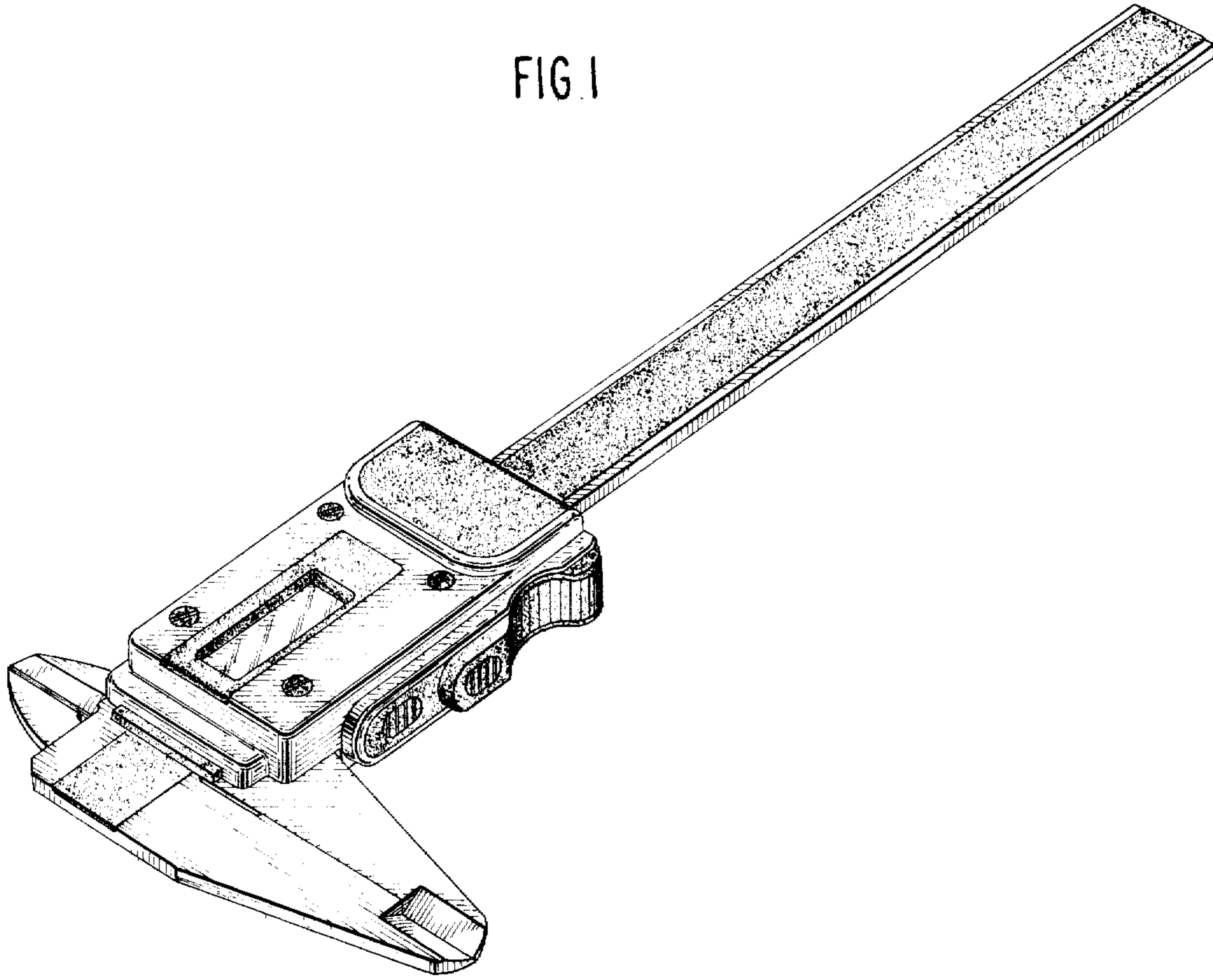


FIG. 2

