

[54] HEIGHT GAUGE

[75] Inventor: Susumu Yoshioka, Utsunomiya, Japan

[73] Assignee: Mitutoyo Mfg. Co., Ltd., Tokyo, Japan

[\*\*] Term: 14 Years

[21] Appl. No.: 233,887

[22] Filed: Feb. 12, 1981

[30] Foreign Application Priority Data

Aug. 14, 1980 [JP] Japan ..... 55-33296

[51] Int. Cl. .... D10-04

[52] U.S. Cl. .... D10/70; D10/73

[58] Field of Search ..... D10/70, 71, 73; 33/169 R

[56] References Cited

U.S. PATENT DOCUMENTS

D. 212,259	9/1968	Milan .....	D10/70 X
D. 221,589	8/1971	Freer .....	D10/71
2,596,637	5/1952	Zalanskas .....	D10/71 X
3,279,079	10/1966	Schiler .....	33/169 R
3,994,071	11/1976	Schöffel .....	33/169 R

Primary Examiner—Nelson C. Holtje  
Attorney, Agent, or Firm—Koda and Androlia

[57] CLAIM

The ornamental design for a height gauge, substantially as shown and described.

DESCRIPTION

FIG. 1 is a top and right front perspective view of a height gauge showing my new design;  
FIG. 2 is a front elevational view thereof;  
FIG. 3 is a right side elevational view thereof;  
FIG. 4 is a rear elevational view thereof;  
FIG. 5 is a left side elevational view thereof;  
FIG. 6 is a top plan view thereof;  
FIG. 7 is a bottom plan view thereof.

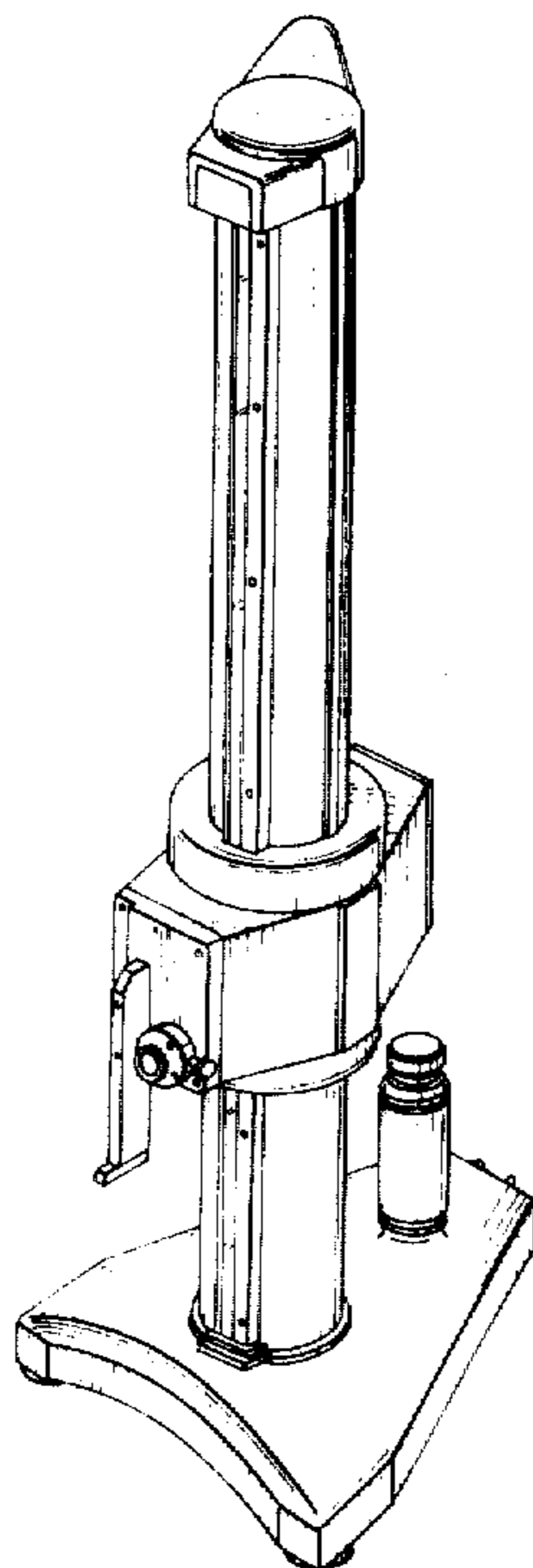


FIG. 1

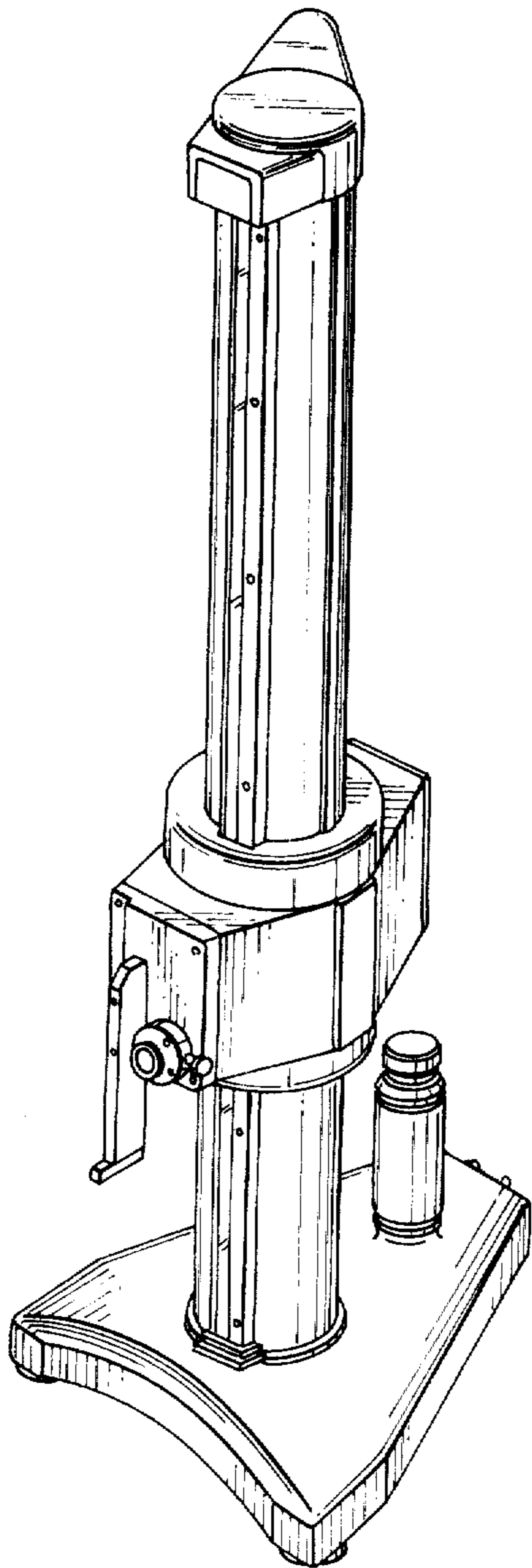


FIG. 2

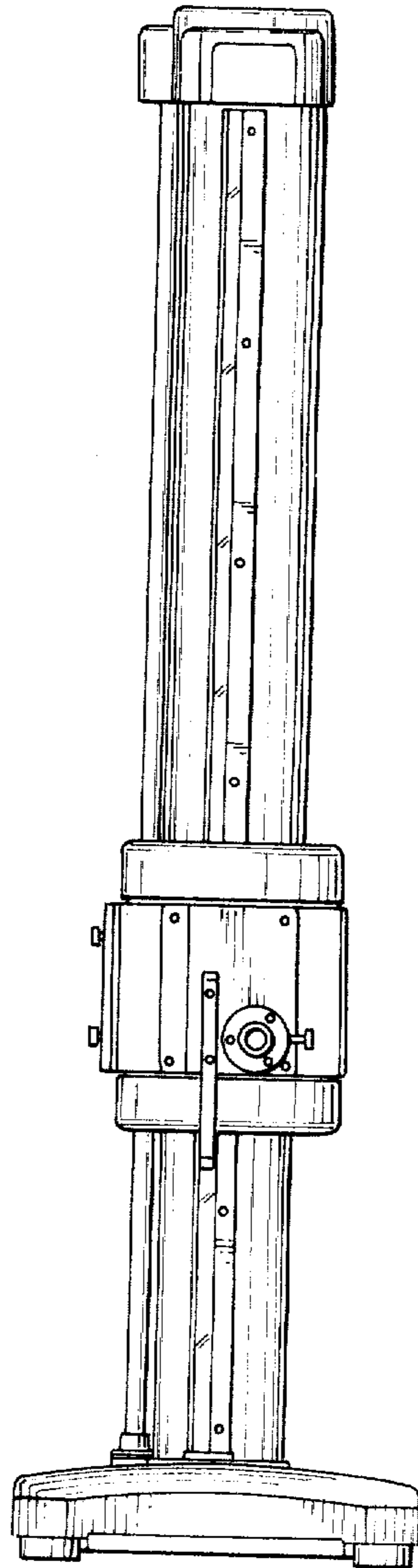


FIG. 3

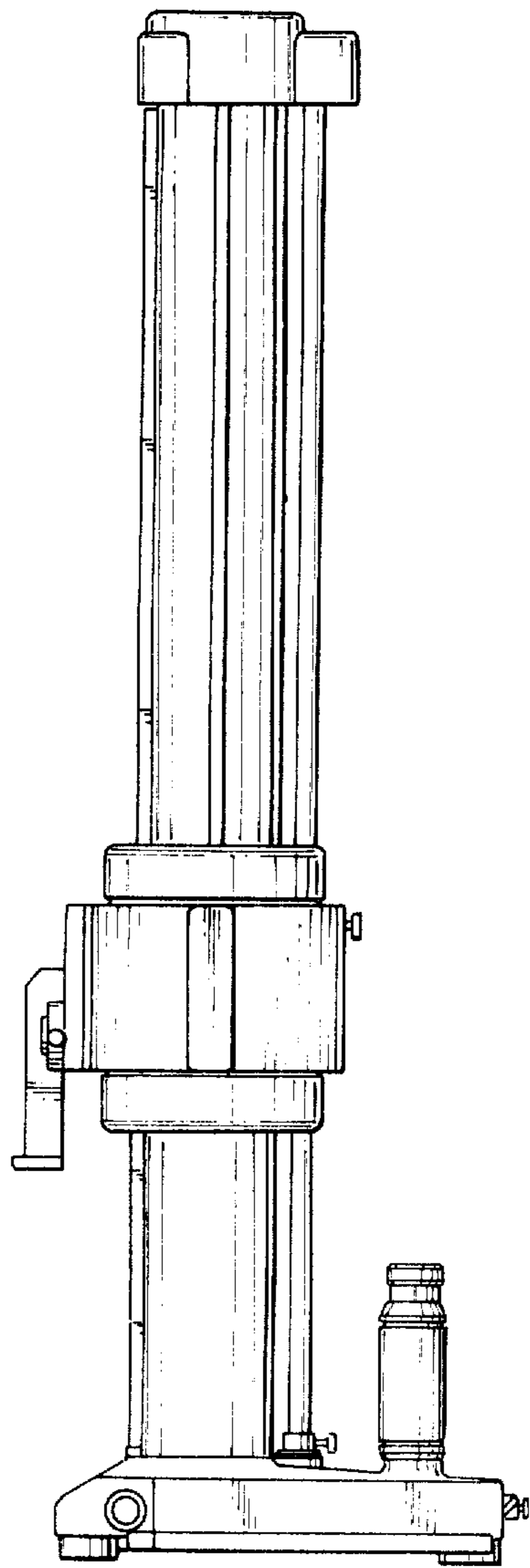


FIG. 4

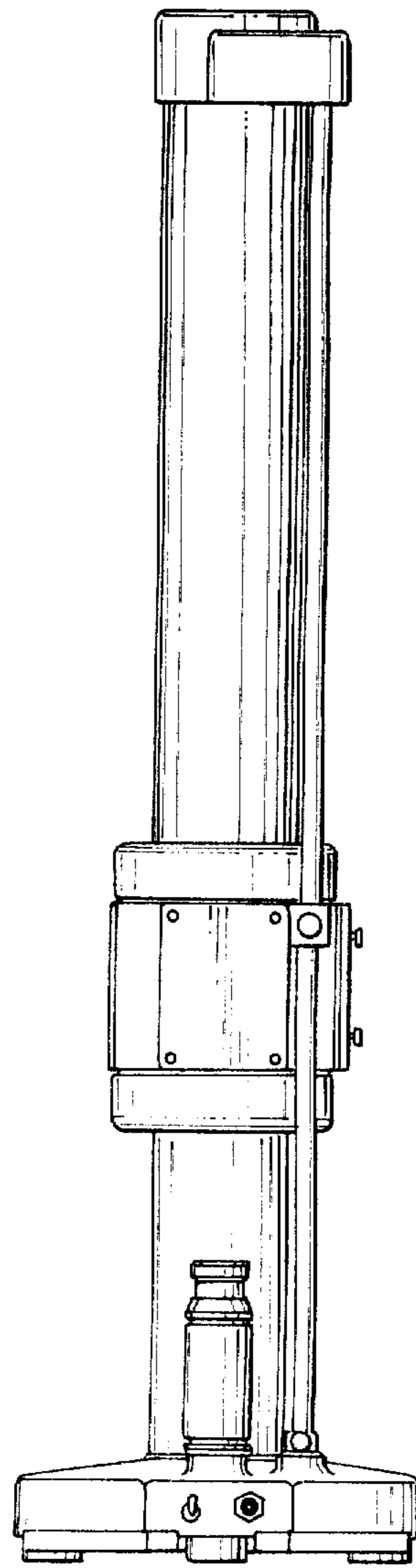


FIG. 5

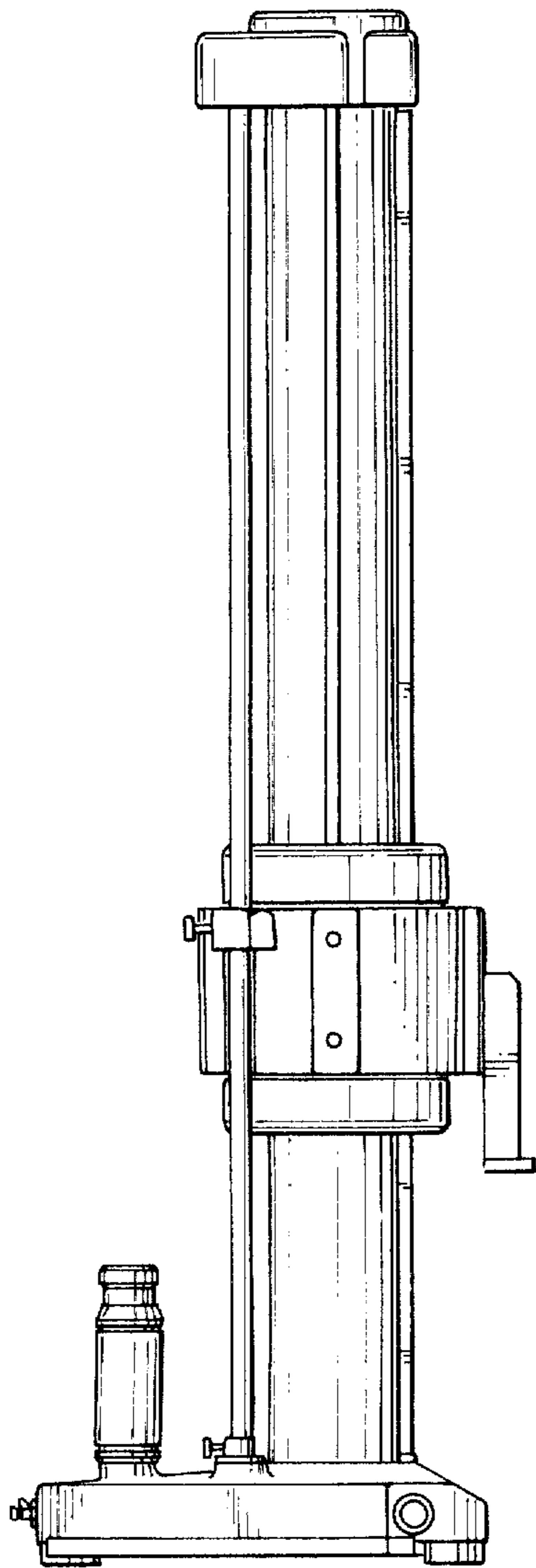


FIG. 6

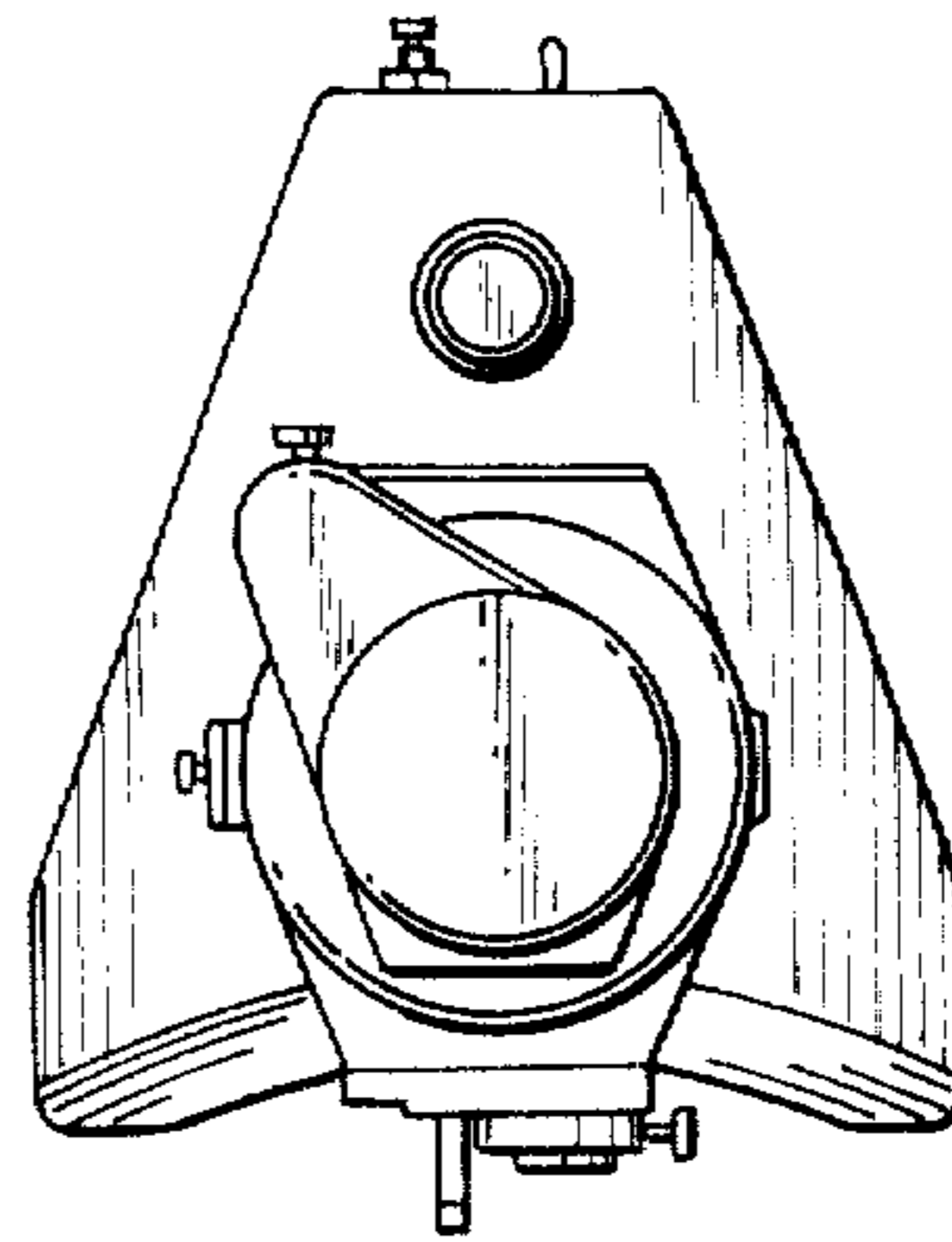


FIG. 7

