

[54] METALLIZING TORCH

[76] Inventor: Wayne E. Daub, R.R. #5, Box 82,  
Three Rivers, Mich. 49093

[\*\*] Term: 14 Years

[21] Appl. No.: 191,538

[22] Filed: Sep. 29, 1980

[51] Int. Cl. .... D8-05

[52] U.S. Cl. .... D8/30

[58] Field of Search ..... 239/79, 526, 525;  
427/79, 123, 282, 398 R, 423, 425; 219/70,  
86.21; 266/114, 127, 113, 66; 361/309, 323;  
29/25.42; D8/30, 14

[56] References Cited

U.S. PATENT DOCUMENTS

- D. 242,688 12/1976 McCue ..... D8/30
- D. 257,553 11/1980 Hashimoto ..... D8/30
- D. 259,851 7/1981 Audemars et al. .... D8/30
- 4,115,600 9/1978 Schroeder et al. .... 361/309 X

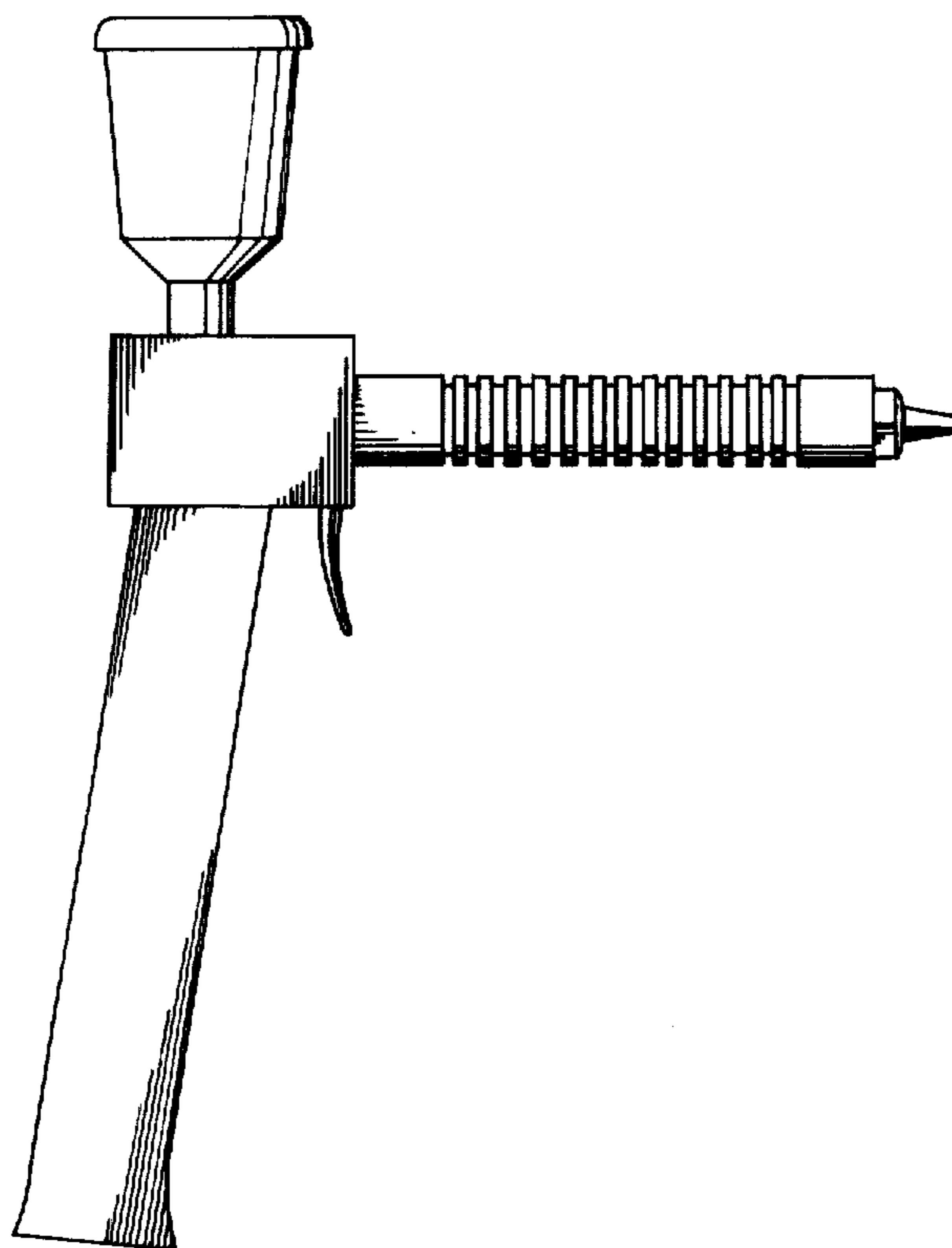
Primary Examiner—Robert C. Spangler  
Attorney, Agent, or Firm—Oltsch, Knoblock & Hall

[57] CLAIM

The ornamental design for a metallizing torch, as shown.

DESCRIPTION

FIG. 1 is a view of one side of a metallizing torch showing my new design;  
 FIG. 2 is a view of the opposite side thereof;  
 FIG. 3 is a front view thereof;  
 FIG. 4 is a rear view thereof;  
 FIG. 5 is a top view thereof; and  
 FIG. 6 is a bottom view thereof.



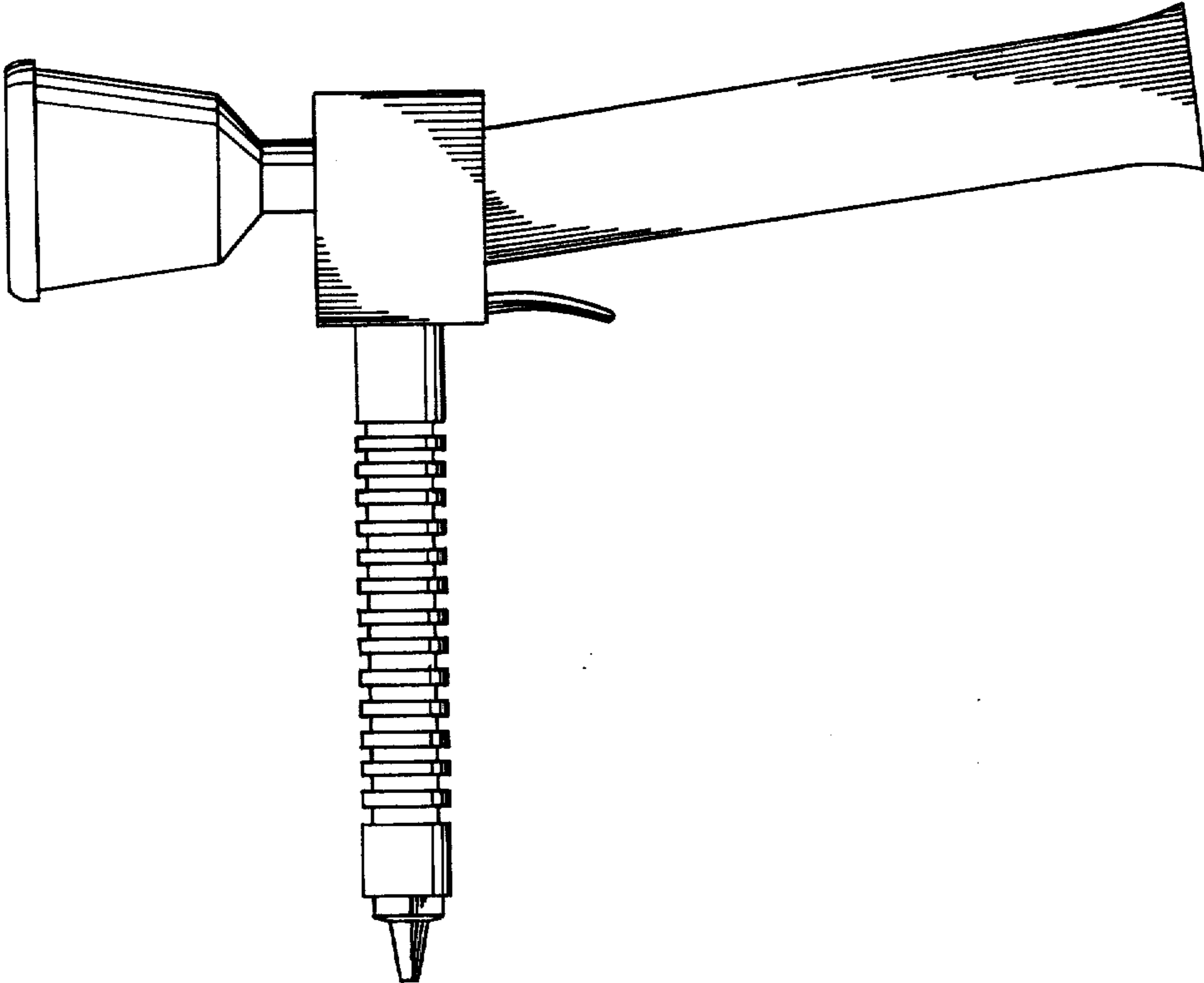


FIG. 2

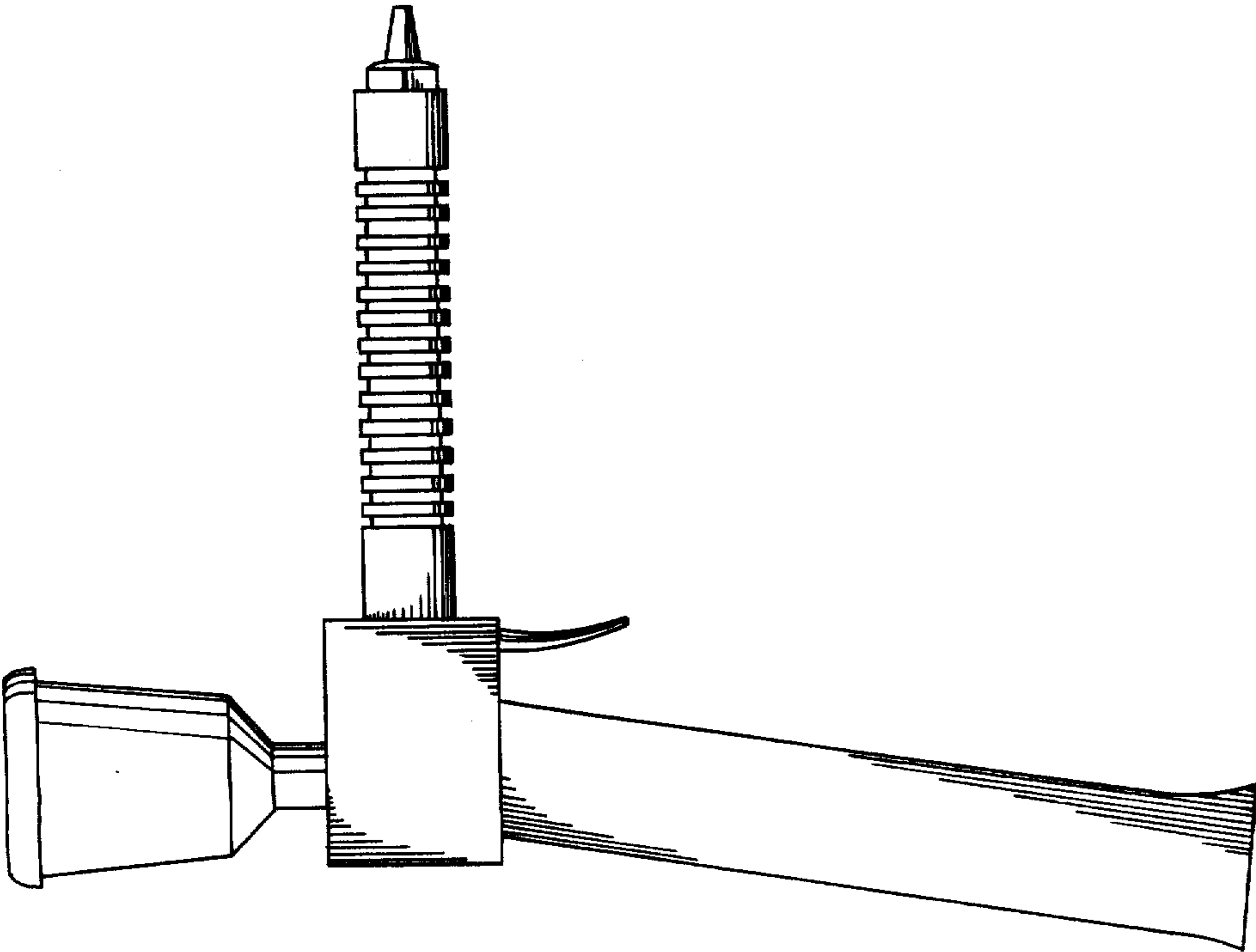


FIG. 1

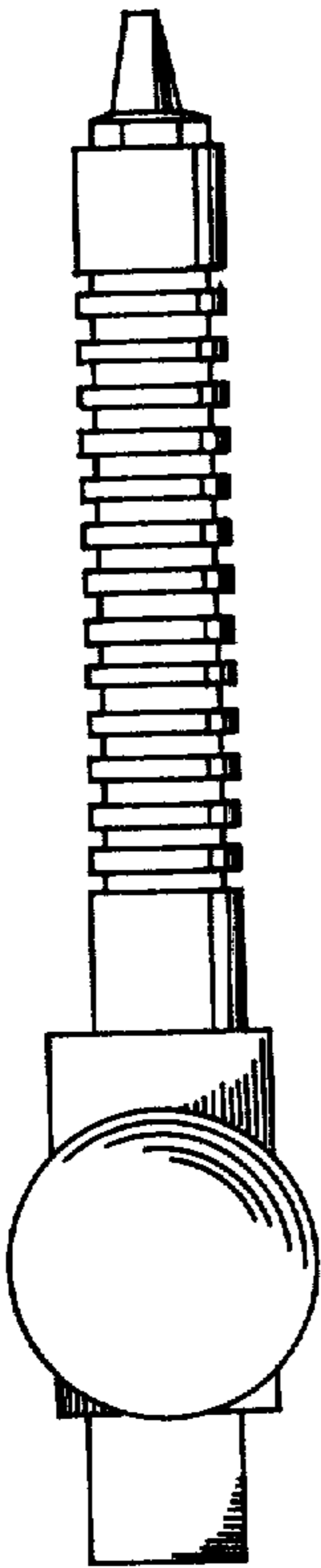


Fig 5

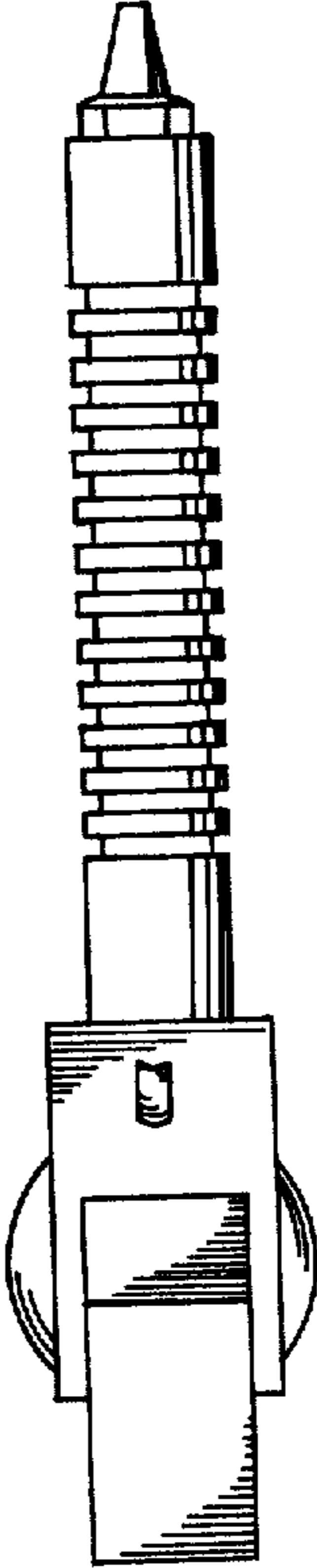


Fig 6

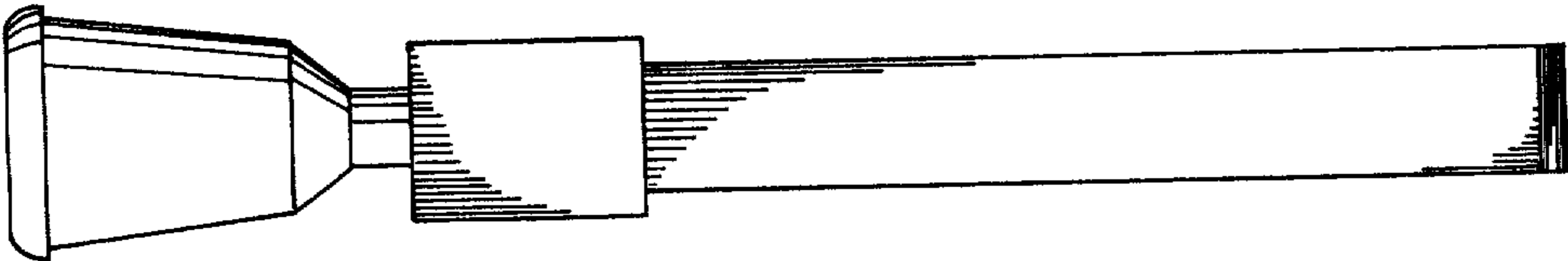


Fig 4

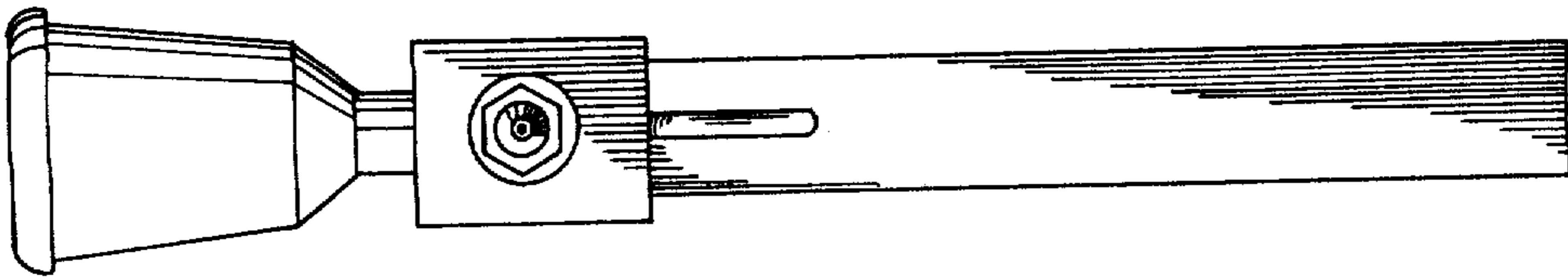


Fig 3