

[54] **NUT BOX**

[76] **Inventor:** Betty A. Poling, 2380 N. Richmond,  
Wichita, Kans. 67204

[\*\*] **Term:** 14 Years

[21] **Appl. No.:** 159,694

[22] **Filed:** Jun. 16, 1980

[51] **Int. Cl.** ..... D7-07

[52] **U.S. Cl.** ..... D7/98; D34/46

[58] **Field of Search** ..... D7/21, 46, 38, 98;  
D3/74; D34/40, 43-46

[56] **References Cited**

**U.S. PATENT DOCUMENTS**

D. 207,176	3/1967	Langford	.....	D7/98
D. 246,343	11/1977	Morabito	.....	D7/21
1,371,849	3/1921	Brown	.....	D7/46

**OTHER PUBLICATIONS**

Best Products Buyers Book, No. 120B, 1977, p. 164,  
Item "N".

Evans Distributors & Jewelers, Inc., Cat. 1978, p.  
169-yx, Item No. 40.

*Primary Examiner*—George P. Word

*Attorney, Agent, or Firm*—John H. Widdowson

[57] **CLAIM**

The ornamental design for a nut box, substantially as  
shown and described.

**DESCRIPTION**

FIG. 1 is a perspective view of a nut box showing my  
new design;

FIG. 2 is a front elevational view thereof;

FIG. 3 is a top plan view thereof;

FIG. 4 is a rear elevational view thereof;

FIG. 5 is a left side elevational view thereof;

FIG. 6 is a partial front elevational view thereof with  
the sliding panel in an extended position;

FIG. 7 is a fragmentary partial view of FIG. 3 with the  
sliding panel in open position; and

FIG. 8 is a bottom plan view.

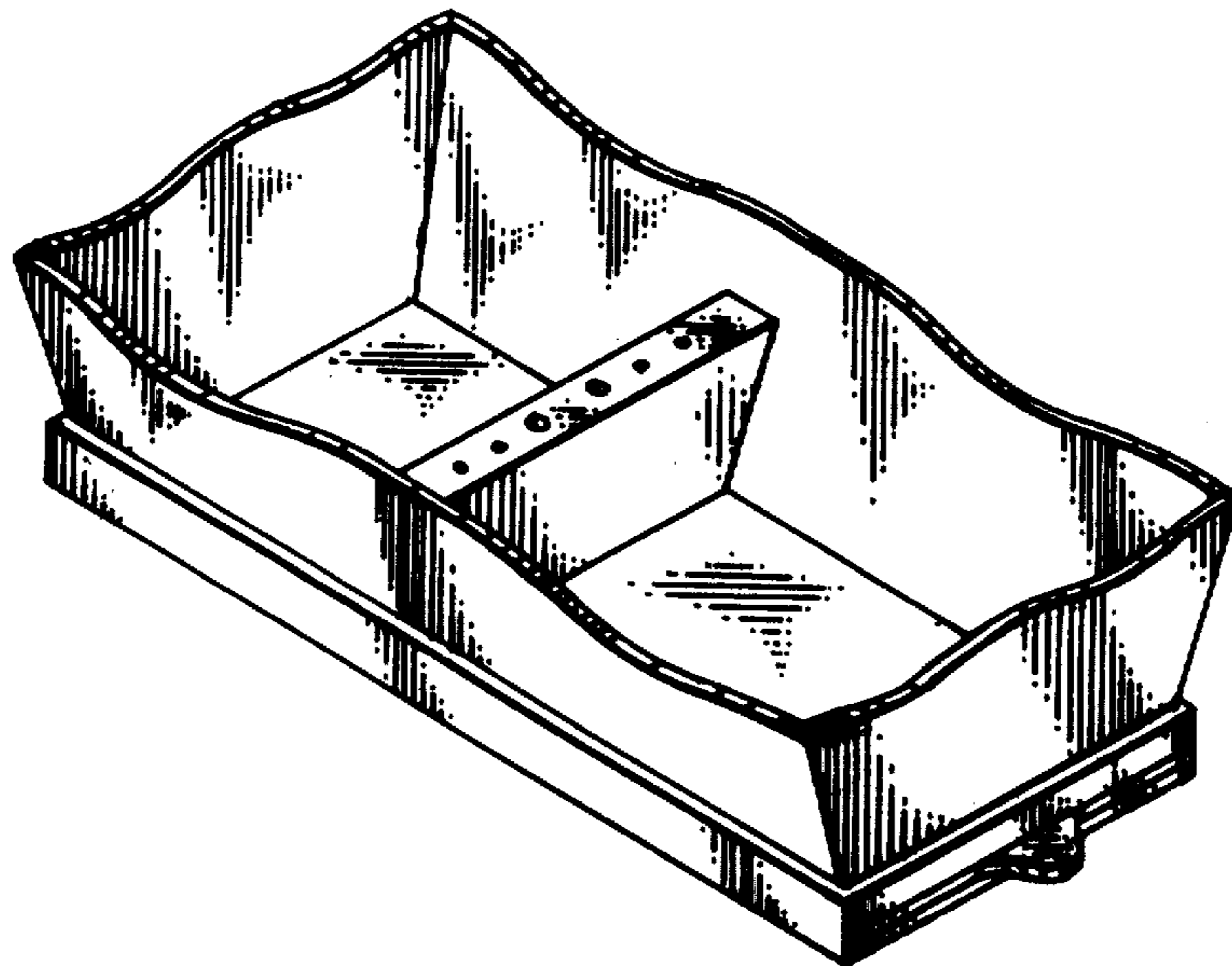


FIG. 1

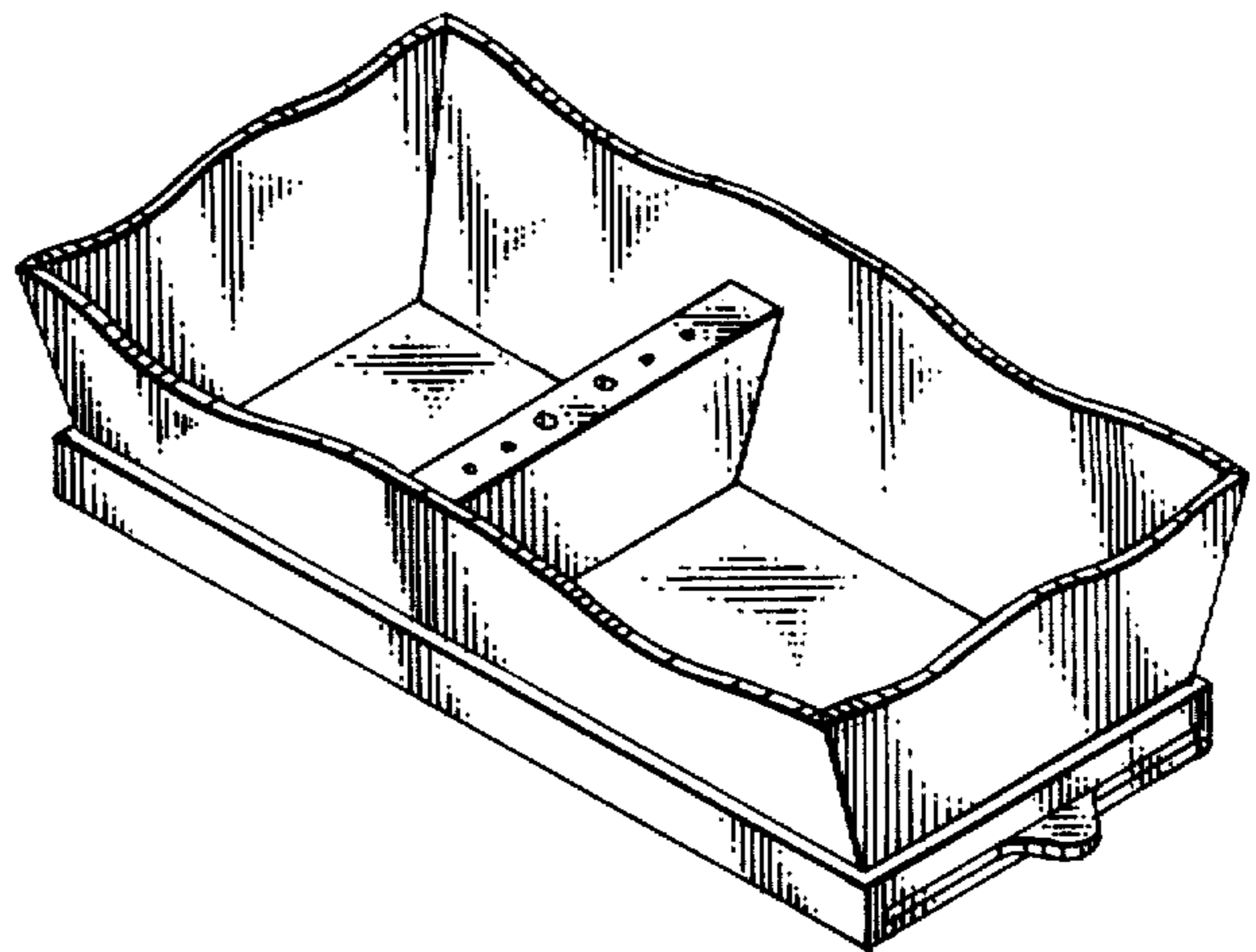


FIG. 2

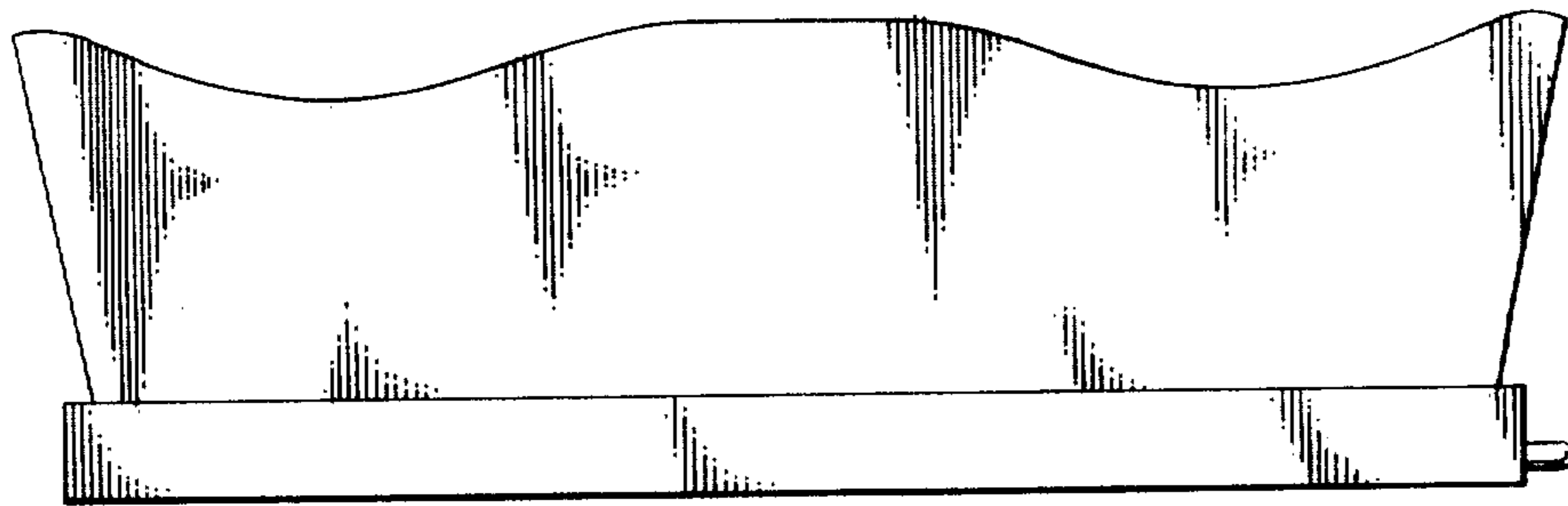


FIG. 3

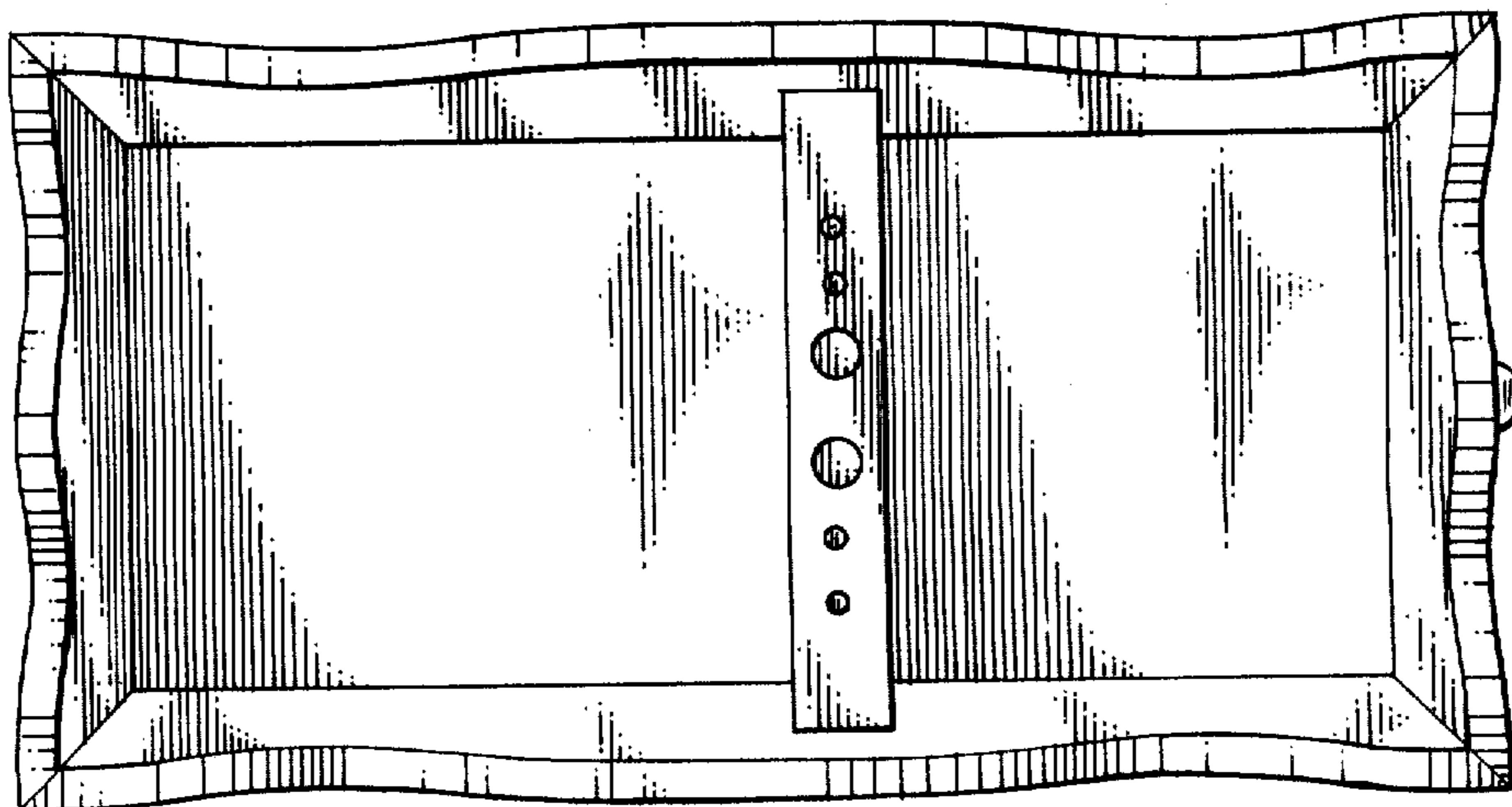


FIG. 4

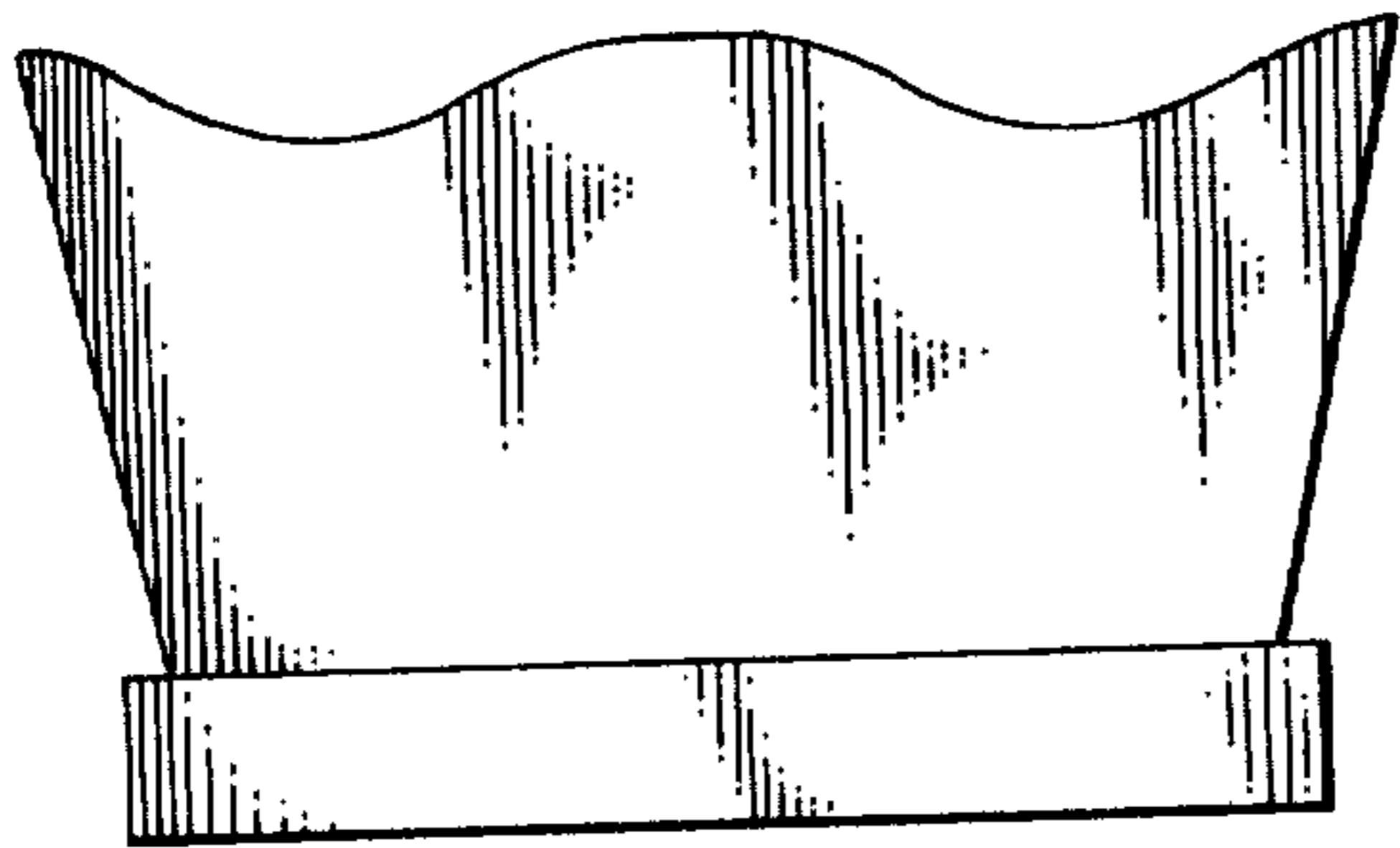
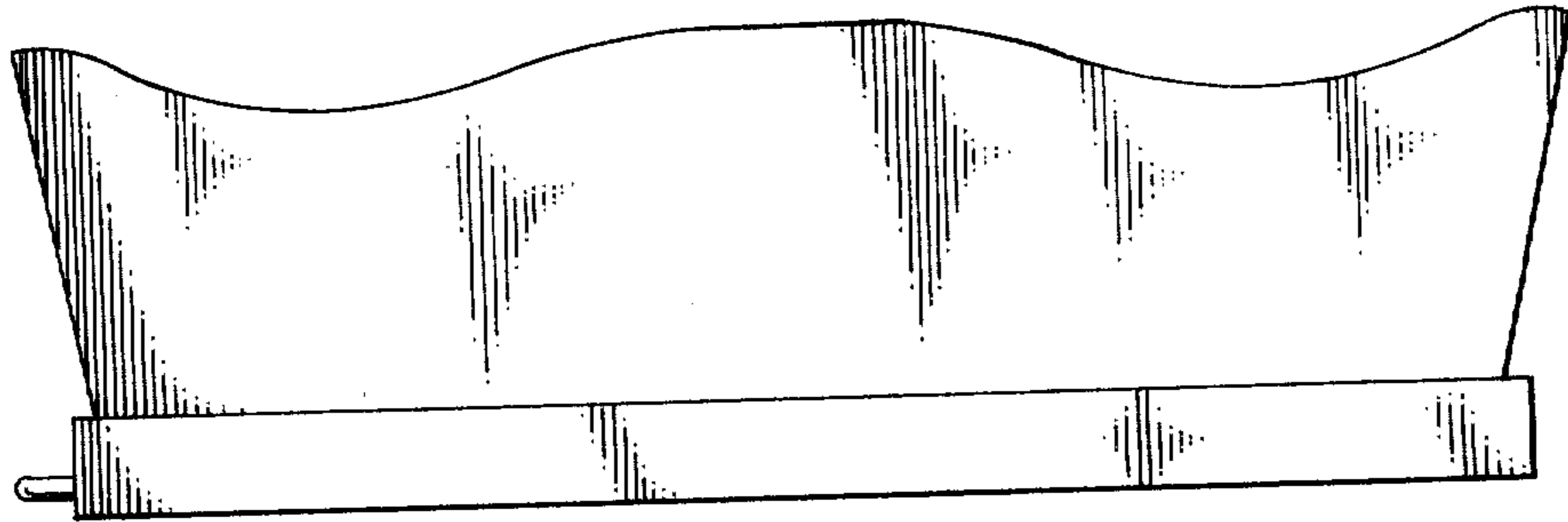


FIG. 5

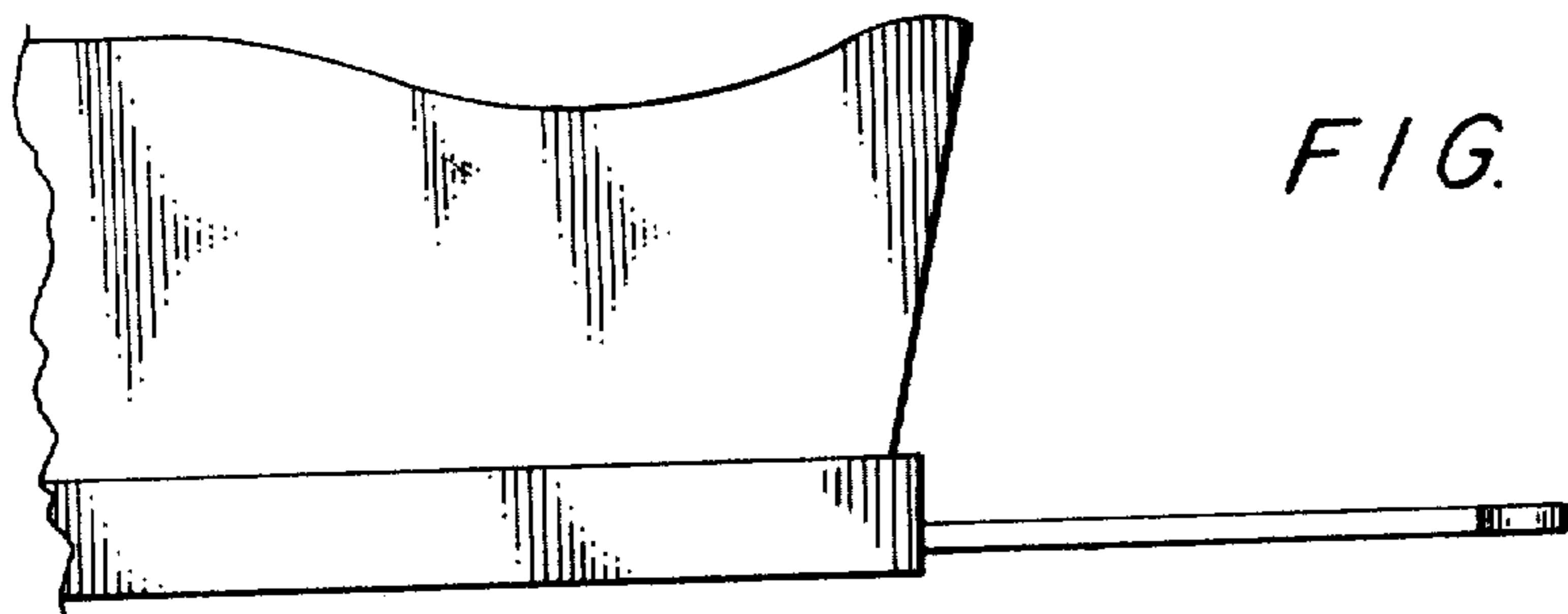
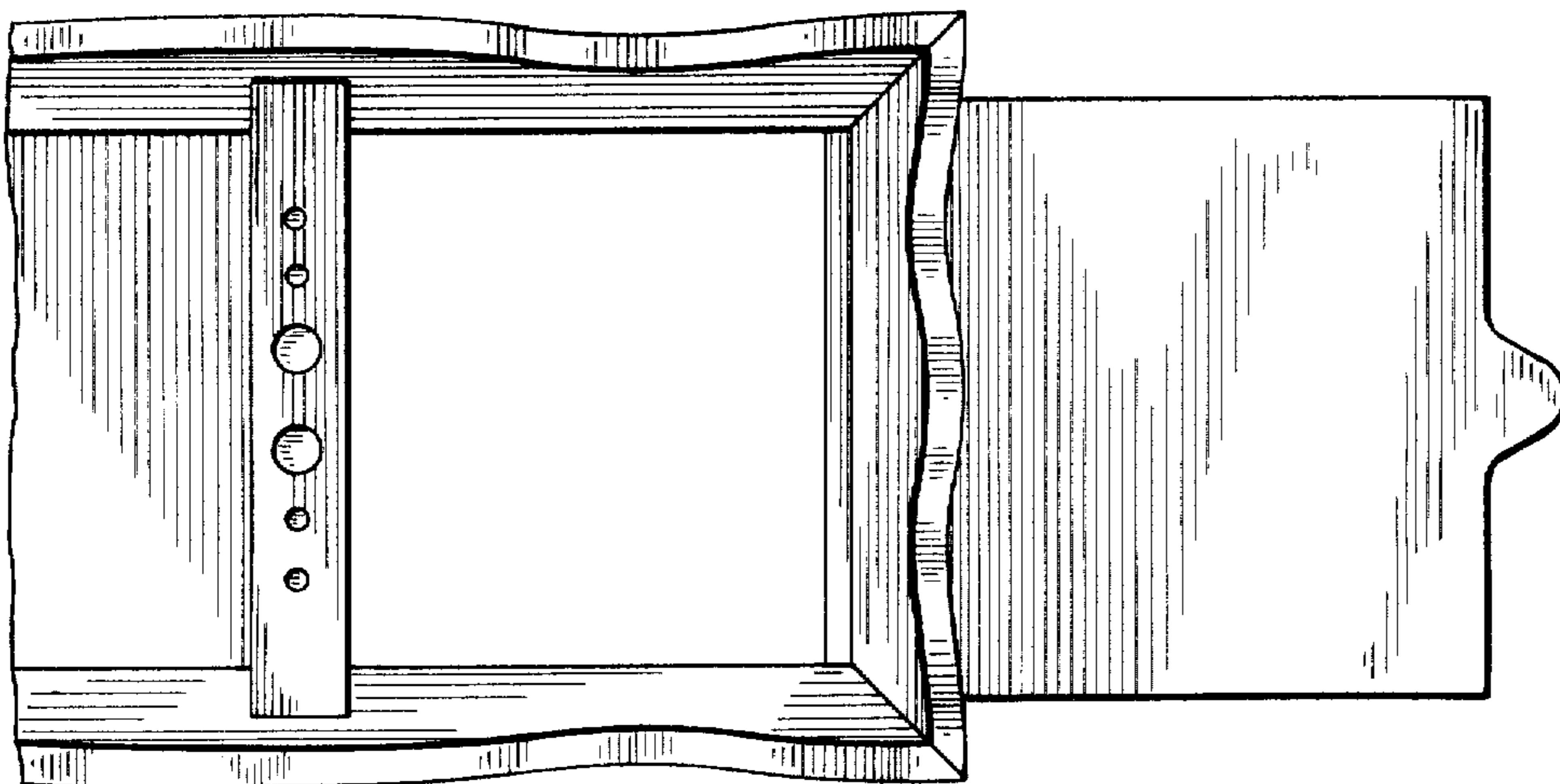


FIG. 6

*FIG. 7*



*FIG. 8*

