

[54] BEVERAGE SERVER

[75] Inventor: Edgar F. Trombly, Grosse Pointe Farms, Mich.

[73] Assignee: Thermo Serv, Inc., Anoka, Minn.

[**] Term: 14 Years

[21] Appl. No.: 195,045

[22] Filed: Oct. 8, 1980

[51] Int. Cl. D07-01

[52] U.S. Cl. D7/317

[58] Field of Search D7/64, 65, 62, 59, 60, D7/63, 66, 67

[56] References Cited

U.S. PATENT DOCUMENTS

- D. 220,579 4/1971 Wickenberg D7/65
- D. 224,752 9/1972 Bonzer D7/62
- D. 229,657 12/1973 Cyren D7/65
- D. 248,917 8/1978 Kikuchi D7/65
- 3,844,450 10/1974 Johnson D7/77 X

OTHER PUBLICATIONS

Copco Cat., Cat. Date 5/75, p. 7, Item #730, Vacuum Jug, middle of page.

Tableware International, Apr. 1971, p. 36, Vacuum Jug by Rob't. Welch, R. Jug.

Stile Industria, May 1961, p. 5, lower illustration, Jug, second from R.

Primary Examiner—Winifred E. Herrmann

Attorney, Agent, or Firm—Kenneth J. Hovet

[57] CLAIM

The ornamental design for a beverage server, substantially as shown.

DESCRIPTION

FIG. 1 is a top front perspective view of a beverage server showing the left side of my new design;

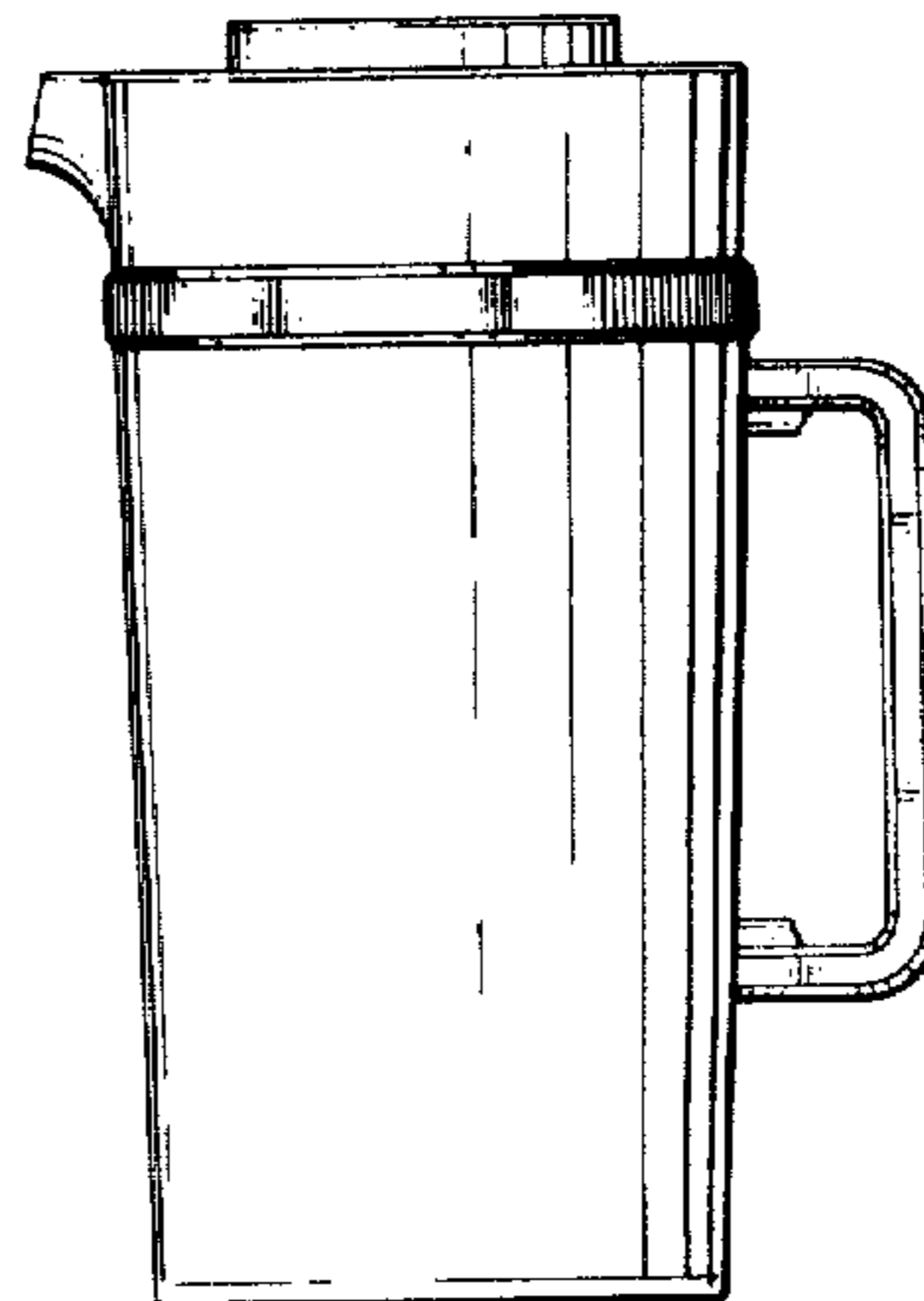
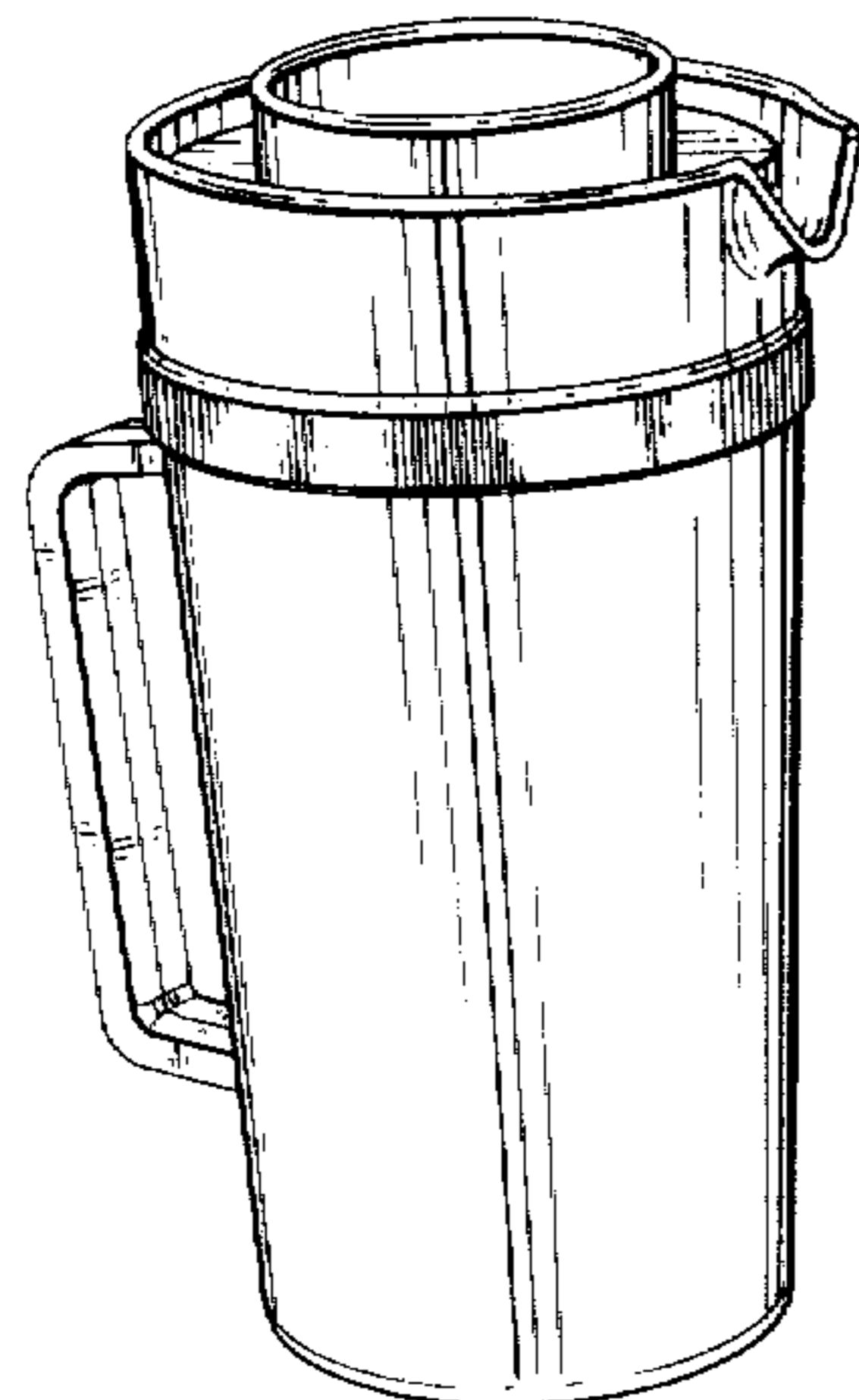
FIG. 2 is a front elevational view thereof;

FIG. 3 is a rear elevational view thereof;

FIG. 4 is a right side elevational view of FIG. 2;

FIG. 5 is a top plan view; and,

FIG. 6 is a bottom plan view.



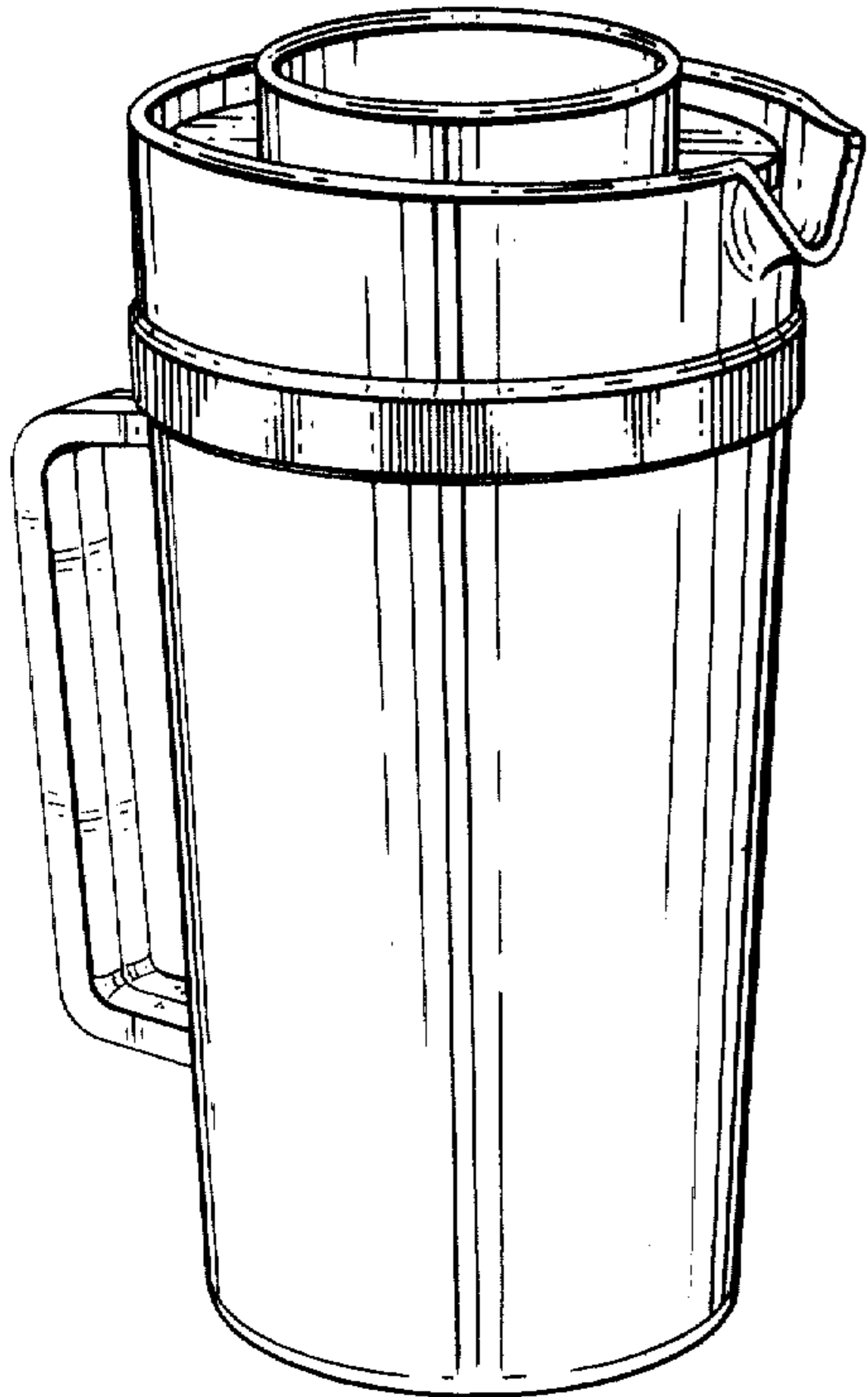


FIG. 1

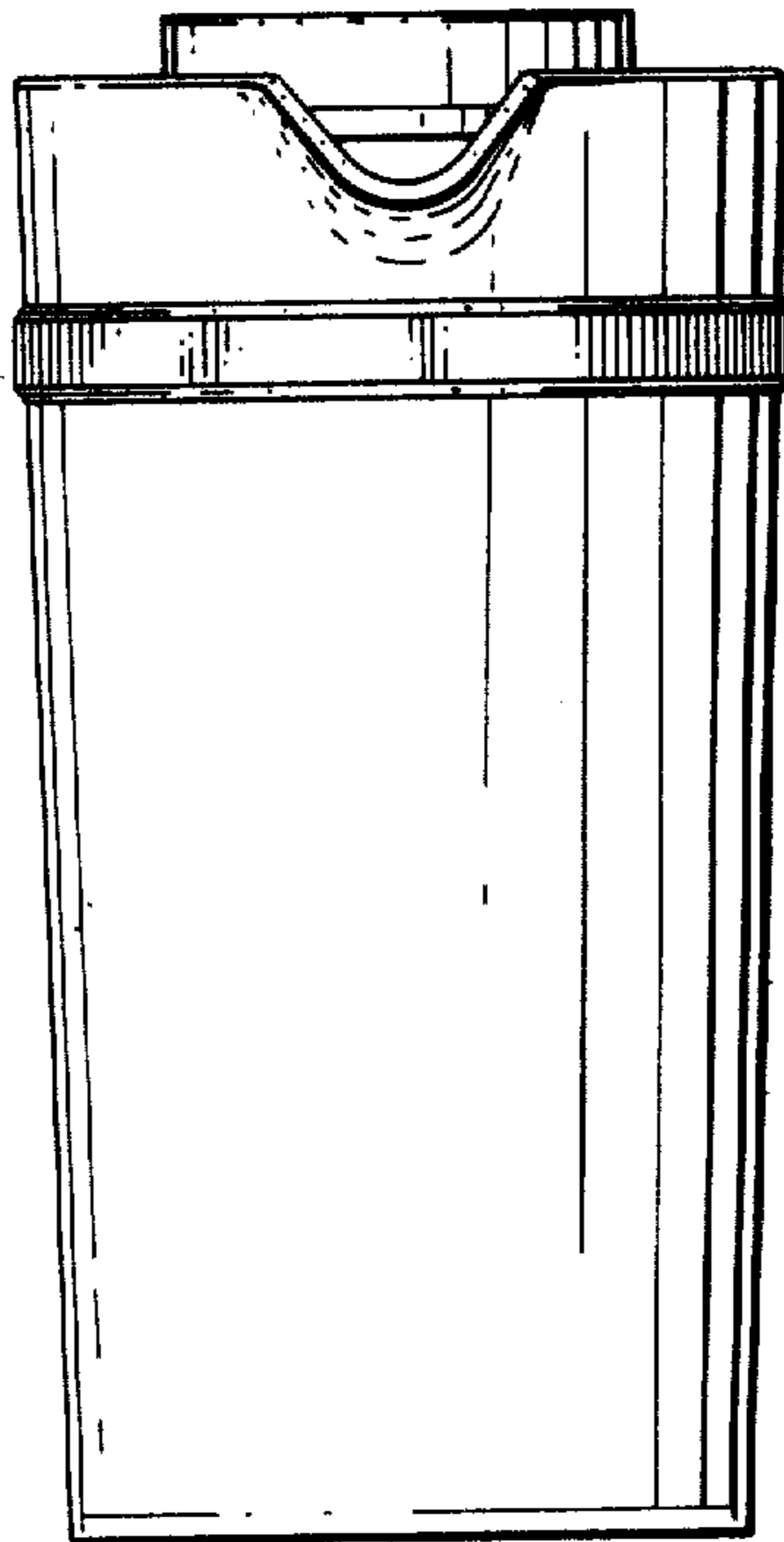


FIG. 2

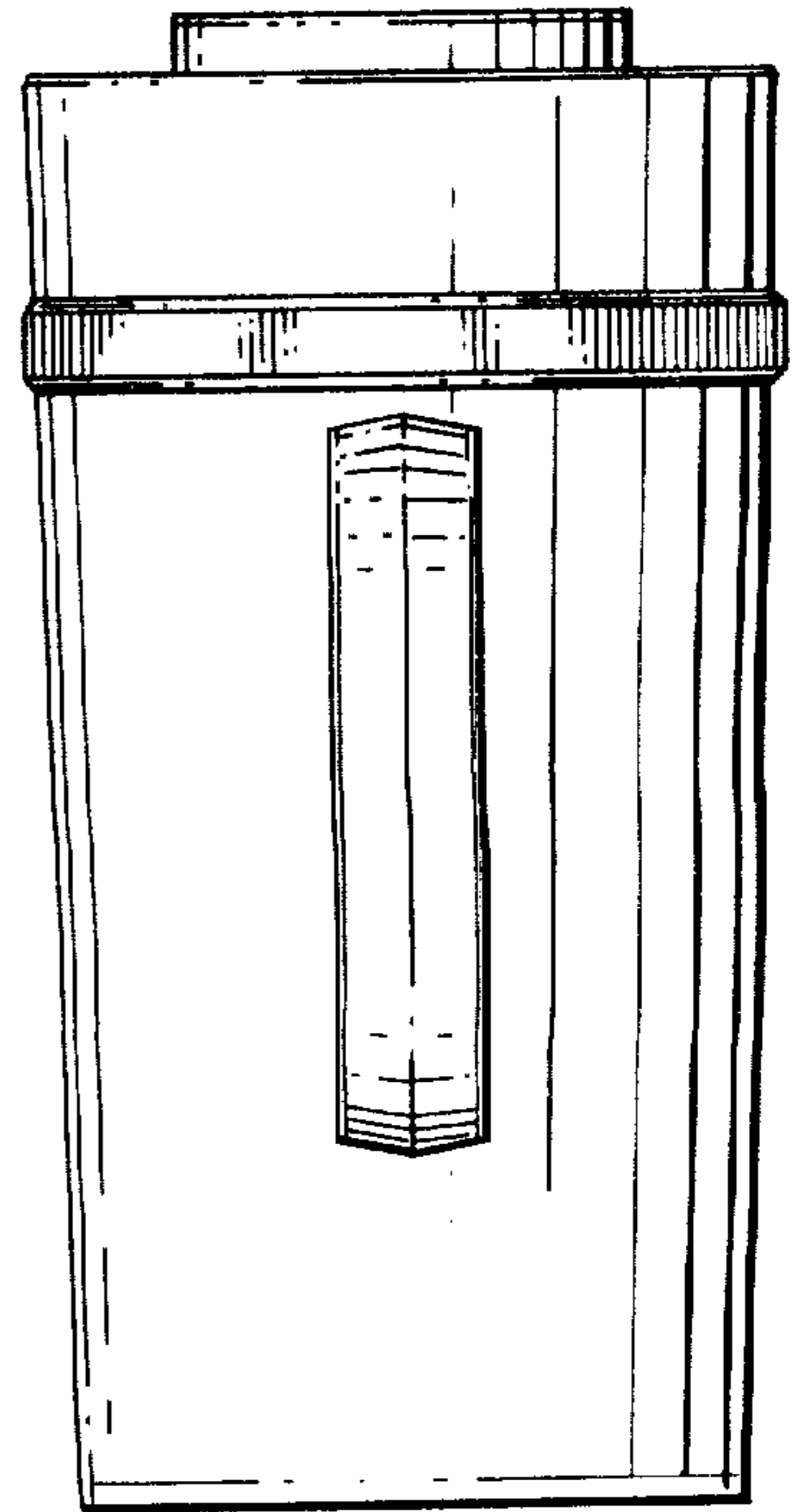


FIG. 3

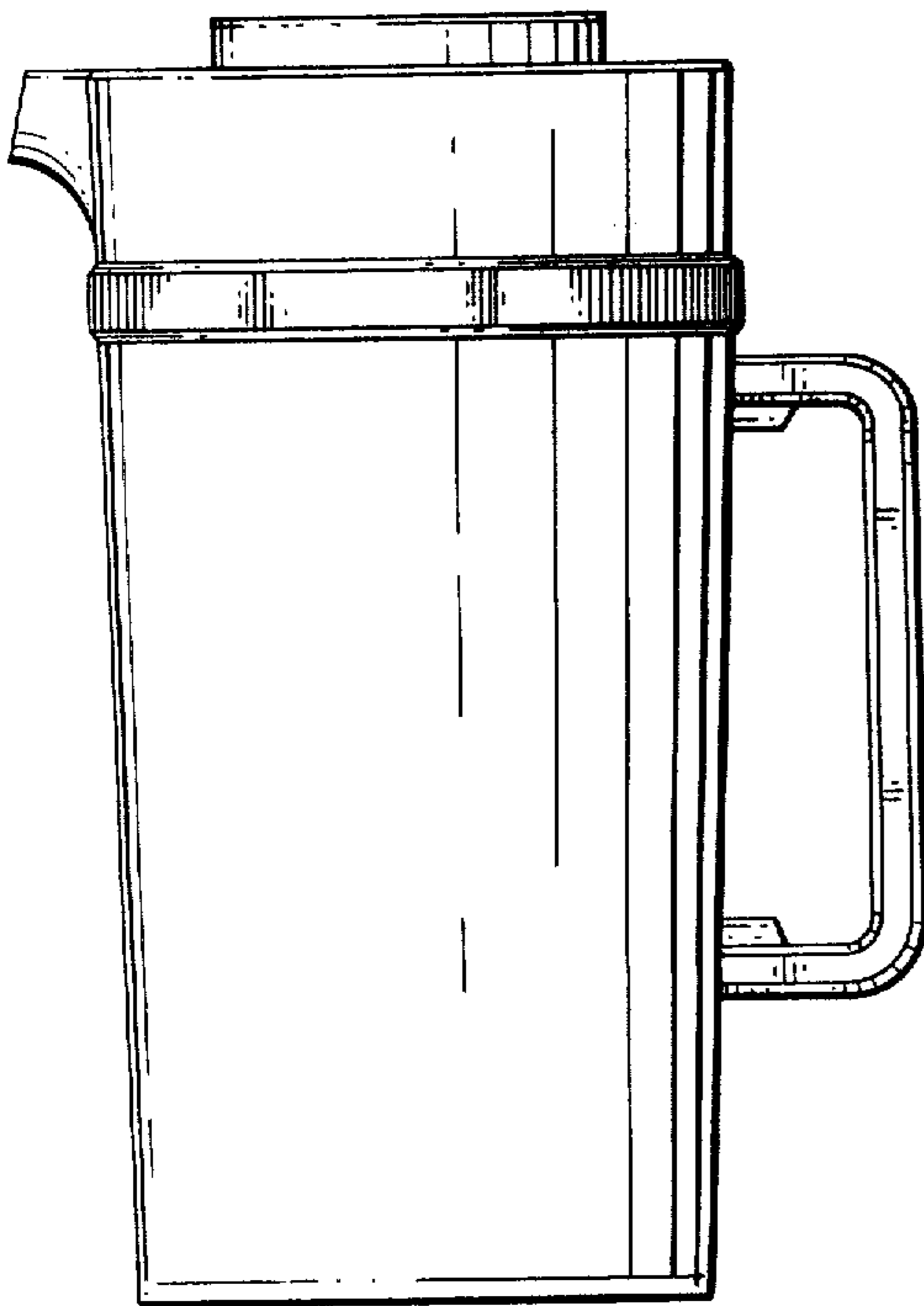


FIG. 4

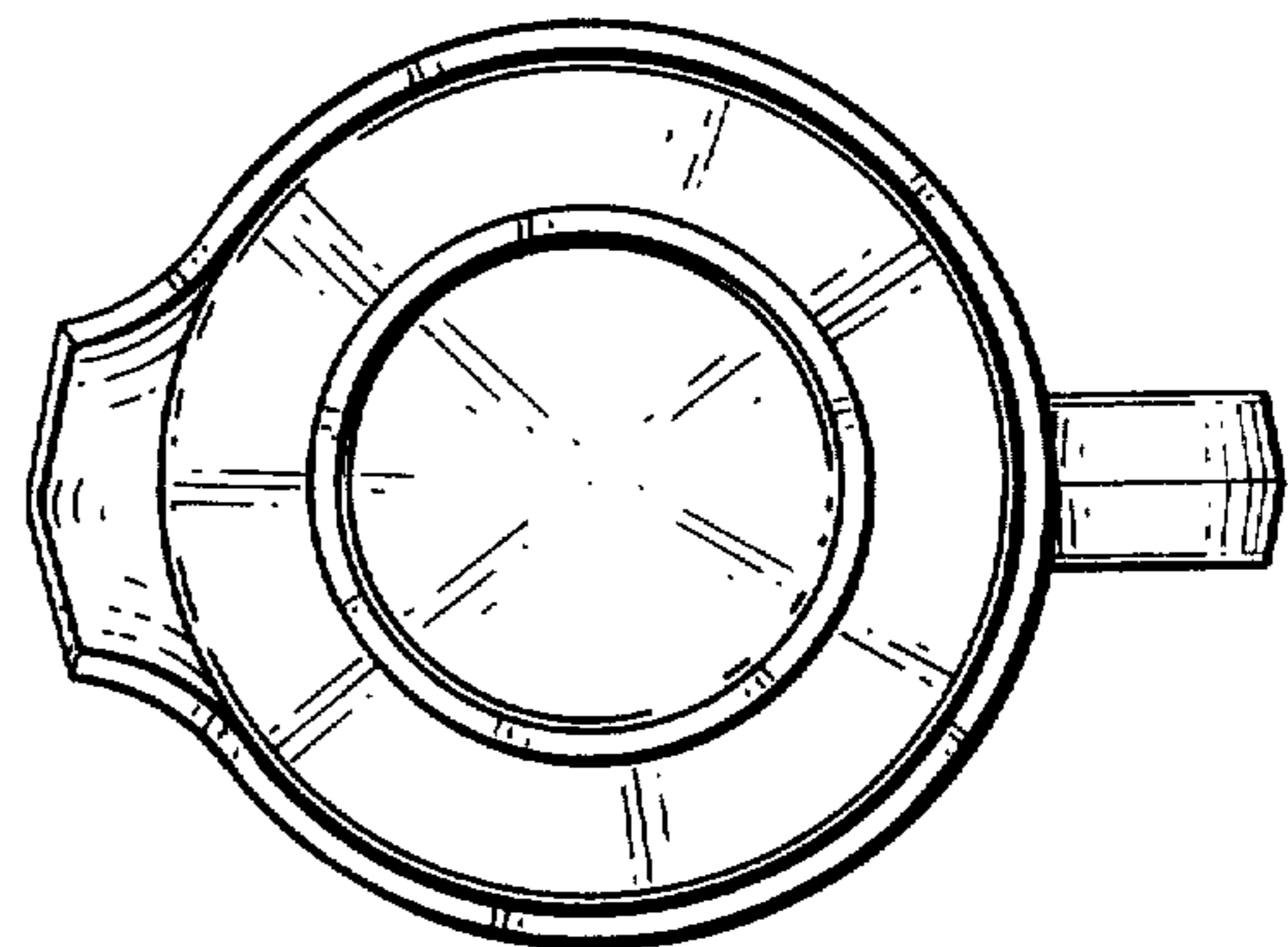


FIG. 5

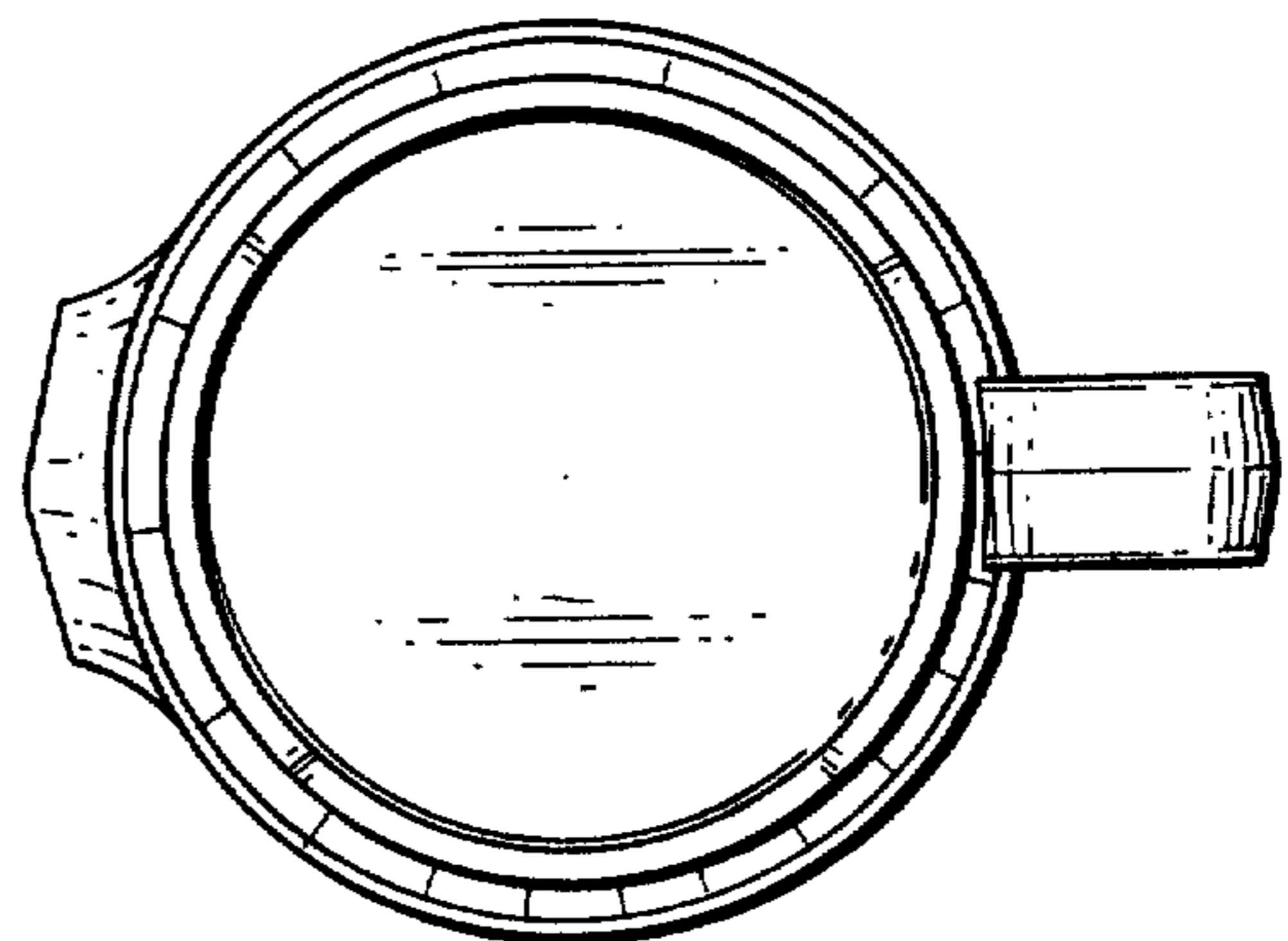


FIG. 6