

[54] CORN HOLDER OR THE LIKE

[75] Inventor: Martin J. Wolff, North Providence, R.I.

[73] Assignee: Dart Industries Inc., Northbrook, Ill.

[**] Term: 14 Years

[21] Appl. No.: 271,482

[22] Filed: Jun. 8, 1981

[51] Int. Cl. D07-06

[52] U.S. Cl. D7/42; D7/106; 294/5

[58] Field of Search 294/5, 61; D7/42, 106, D7/151, 152, 132, 99, 102, 103, 104

[56] References Cited

U.S. PATENT DOCUMENTS

- D. 39,815 2/1909 Bomeisler D7/42
- D. 157,001 1/1950 Reinecke D7/42
- D. 180,175 4/1957 Bull D7/151 X
- D. 207,108 3/1967 Heuck D7/42

- D. 209,158 11/1967 Levin D7/42
- 886,510 5/1908 Hughet 294/5
- 1,539,669 5/1925 Hauser D7/42 X
- 2,275,536 3/1942 Maisto 294/5
- 3,794,368 2/1974 Majeske D7/42 X
- 4,163,575 8/1979 Riedinger, Jr. 294/5

OTHER PUBLICATIONS

Gift & Art Buyer, Sep. 1948, p. 147, Stony Brook Industries, #6 Corn Cob Holder at far right.

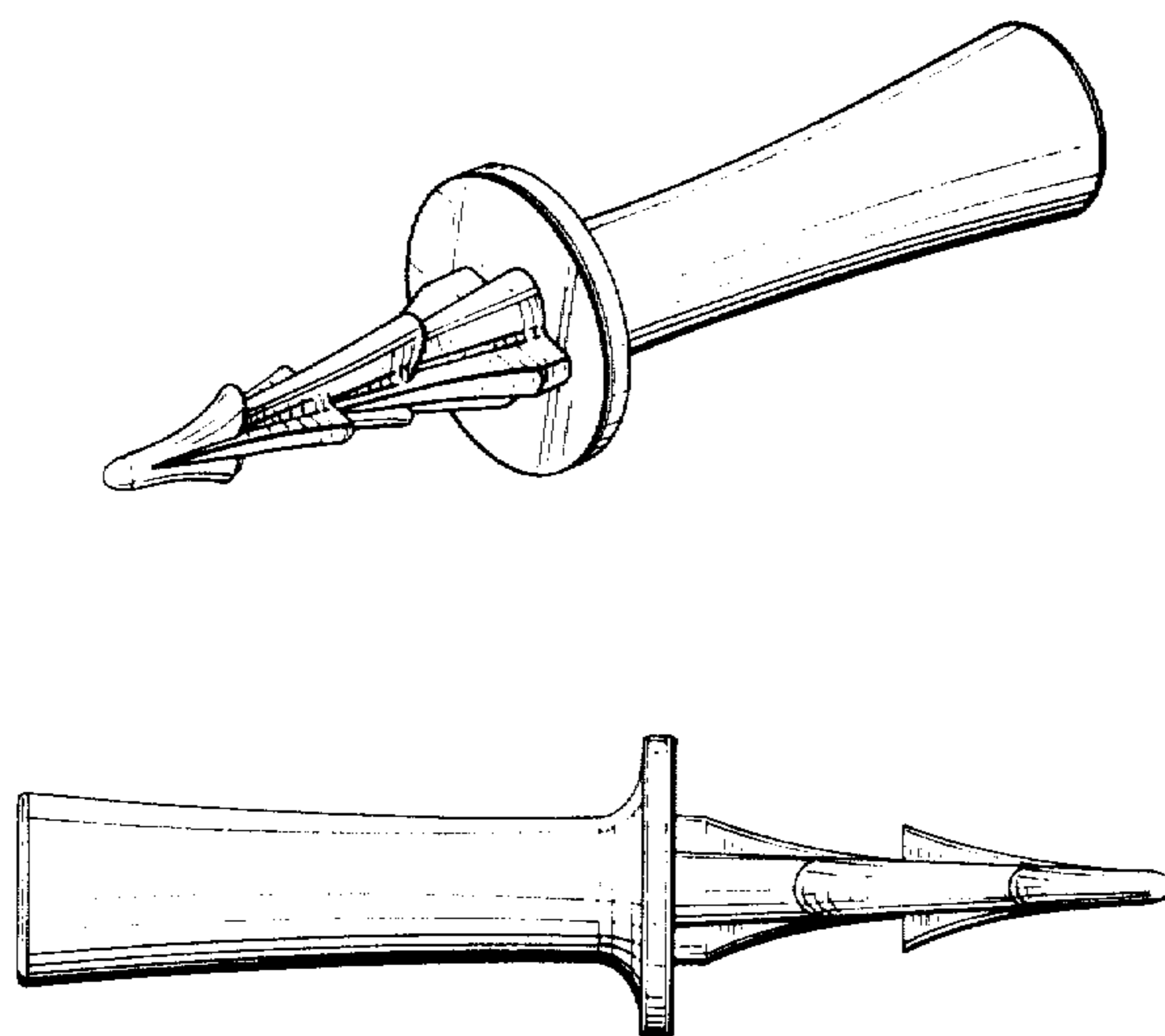
Primary Examiner—Winifred E. Herrmann
Attorney, Agent, or Firm—Leigh B. Taylor

[57] CLAIM

The ornamental design for a corn holder or the like, substantially as shown.

DESCRIPTION

FIG. 1 is a perspective view of a corn holder or the like showing my new design;
 FIG. 2 is one side elevational view thereof;
 FIG. 3 is another side elevational view thereof;
 FIG. 4 is a rear elevational view thereof, and
 FIG. 5 is a front elevational view thereof.



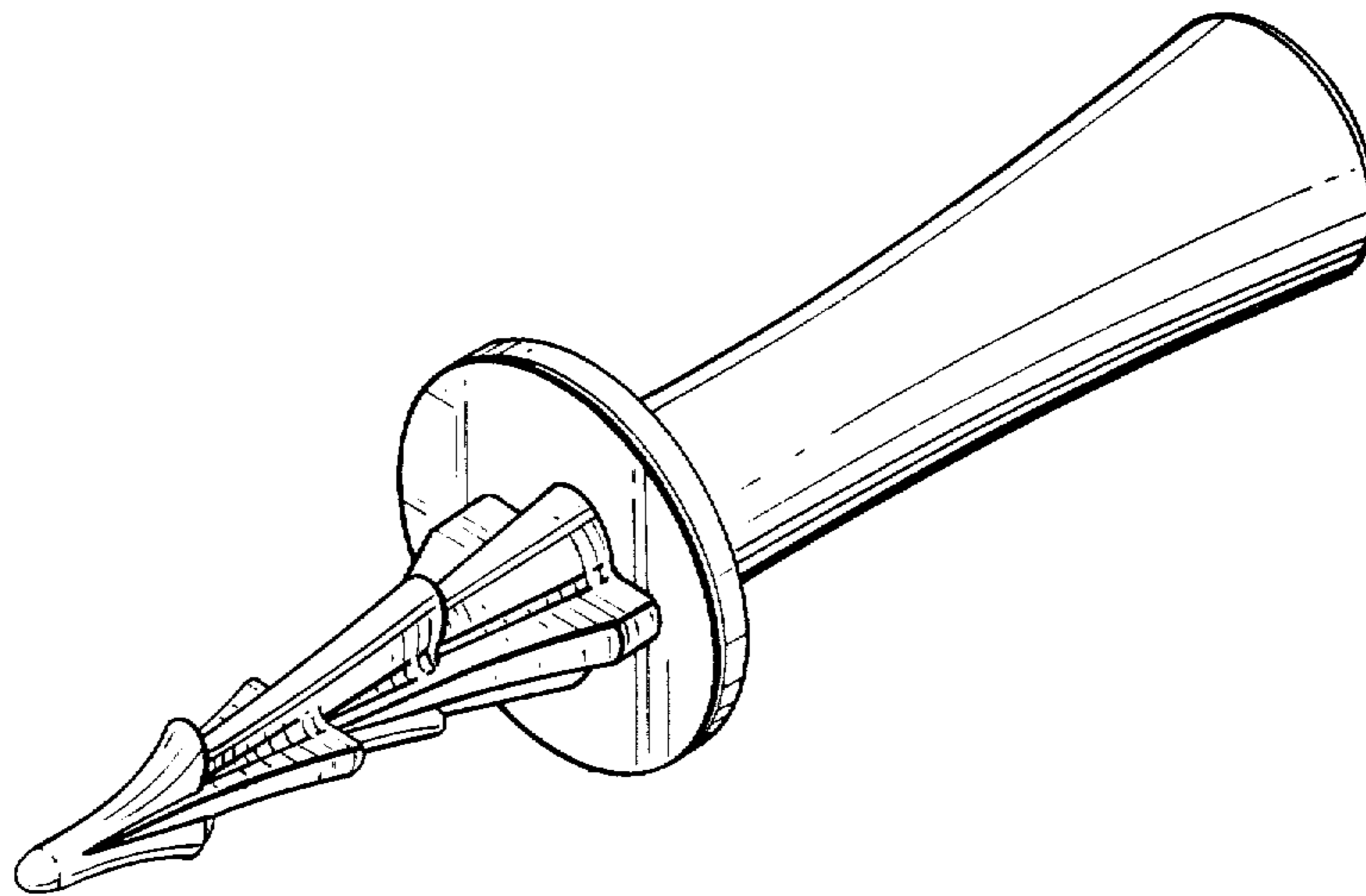


FIG. 1

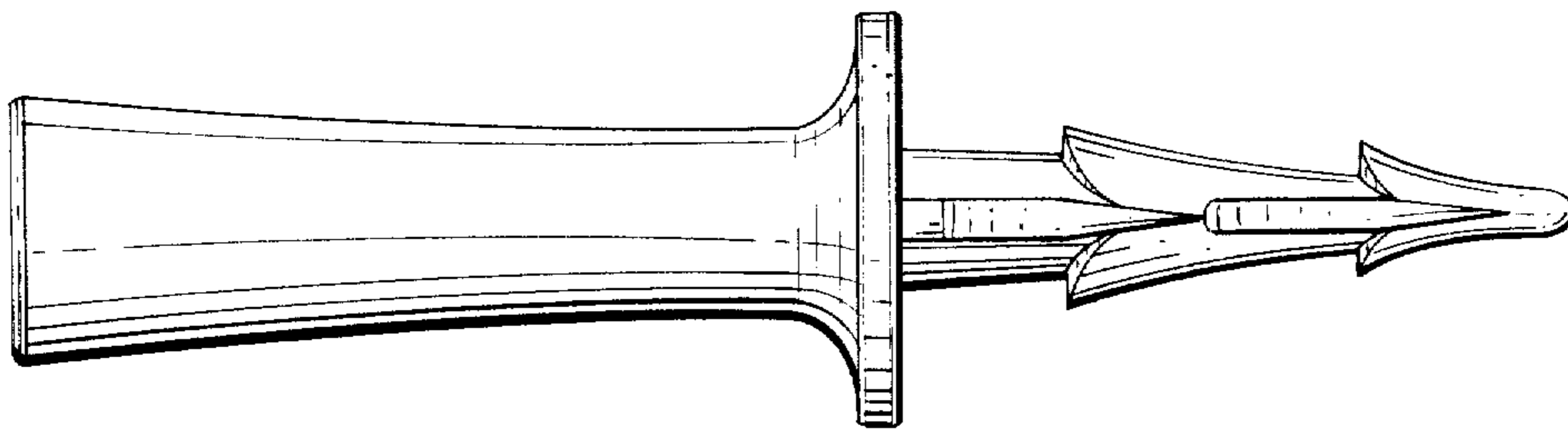


FIG. 2

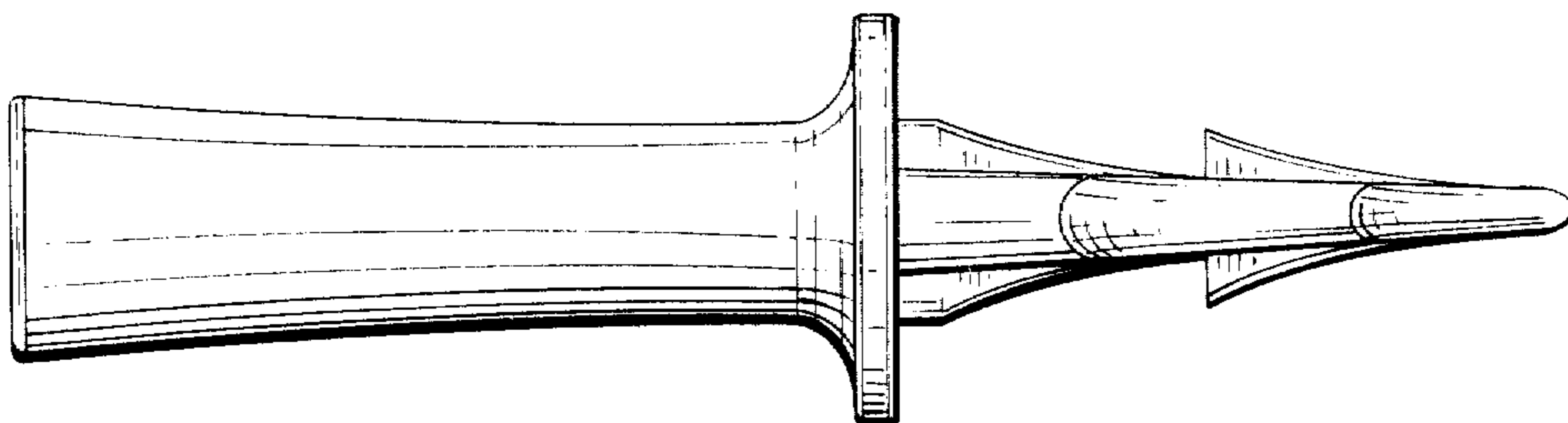


FIG. 3

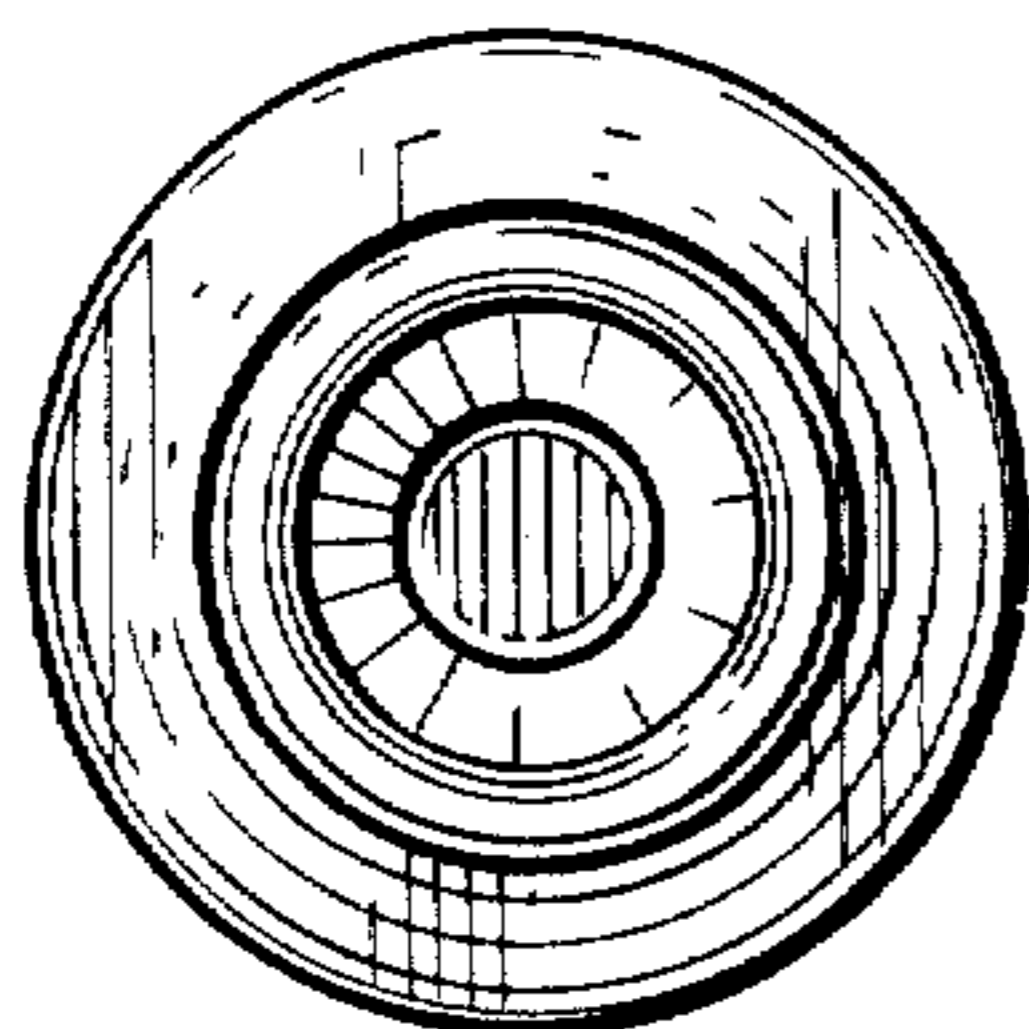


FIG. 4

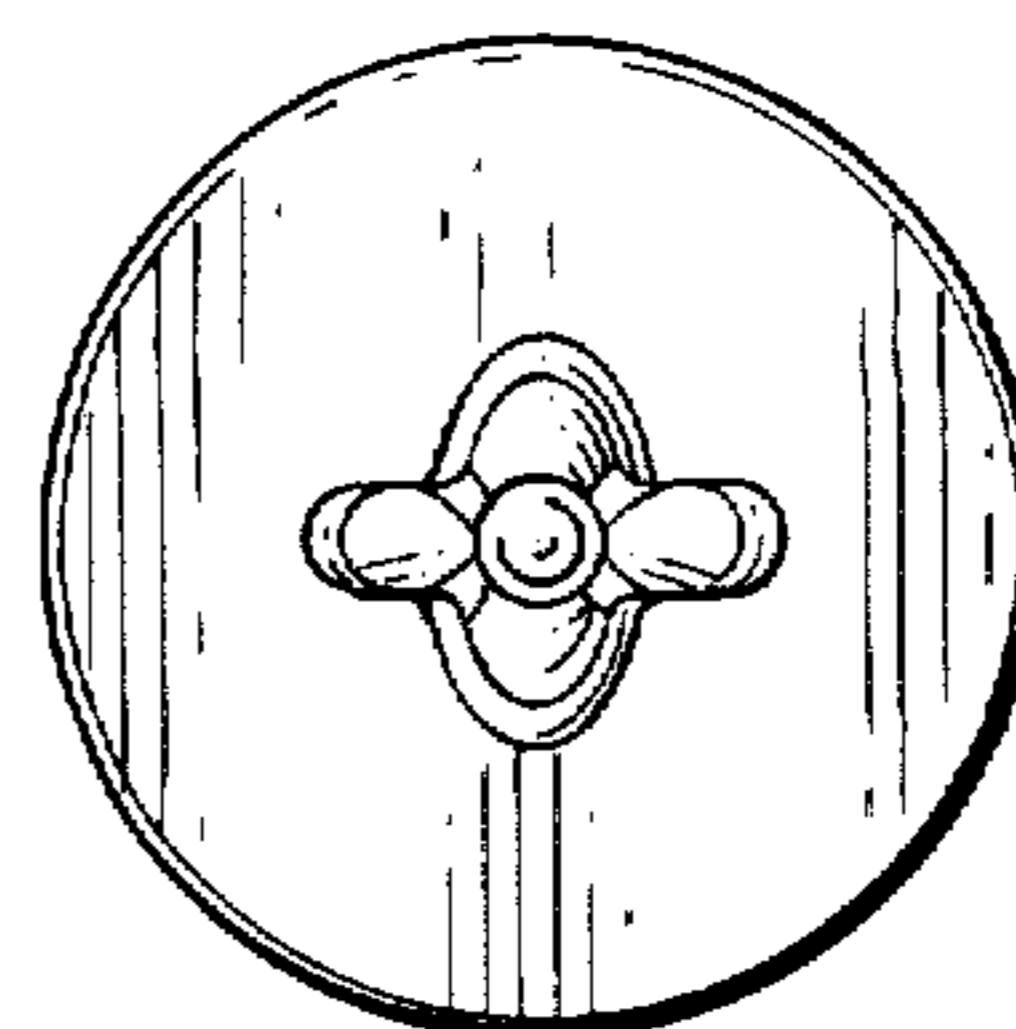


FIG. 5