

[54] CLOVERLEAF TABLE

[76] Inventor: Myrtle H. Curry, P.O. Box 205, Louisville, Ky. 40201

[\*\*] Term: 14 Years

[21] Appl. No.: 241,587

[22] Filed: Mar. 9, 1981

[51] Int. Cl. .... D6-03

[52] U.S. Cl. .... D6/29; D6/27; D6/146

[58] Field of Search ..... D6/20-36, D6/146-149, 177-179, 175; 108/150

[56] References Cited

U.S. PATENT DOCUMENTS

- D. 96,986 9/1935 Jewell ..... D6/29
- D. 220,343 3/1971 Boissicat ..... D6/29

OTHER PUBLICATIONS

Interiors, Mar. 1973, p. 107, Table top left.  
Interiors, Apr. 1974, p. 159, Table bottom right.

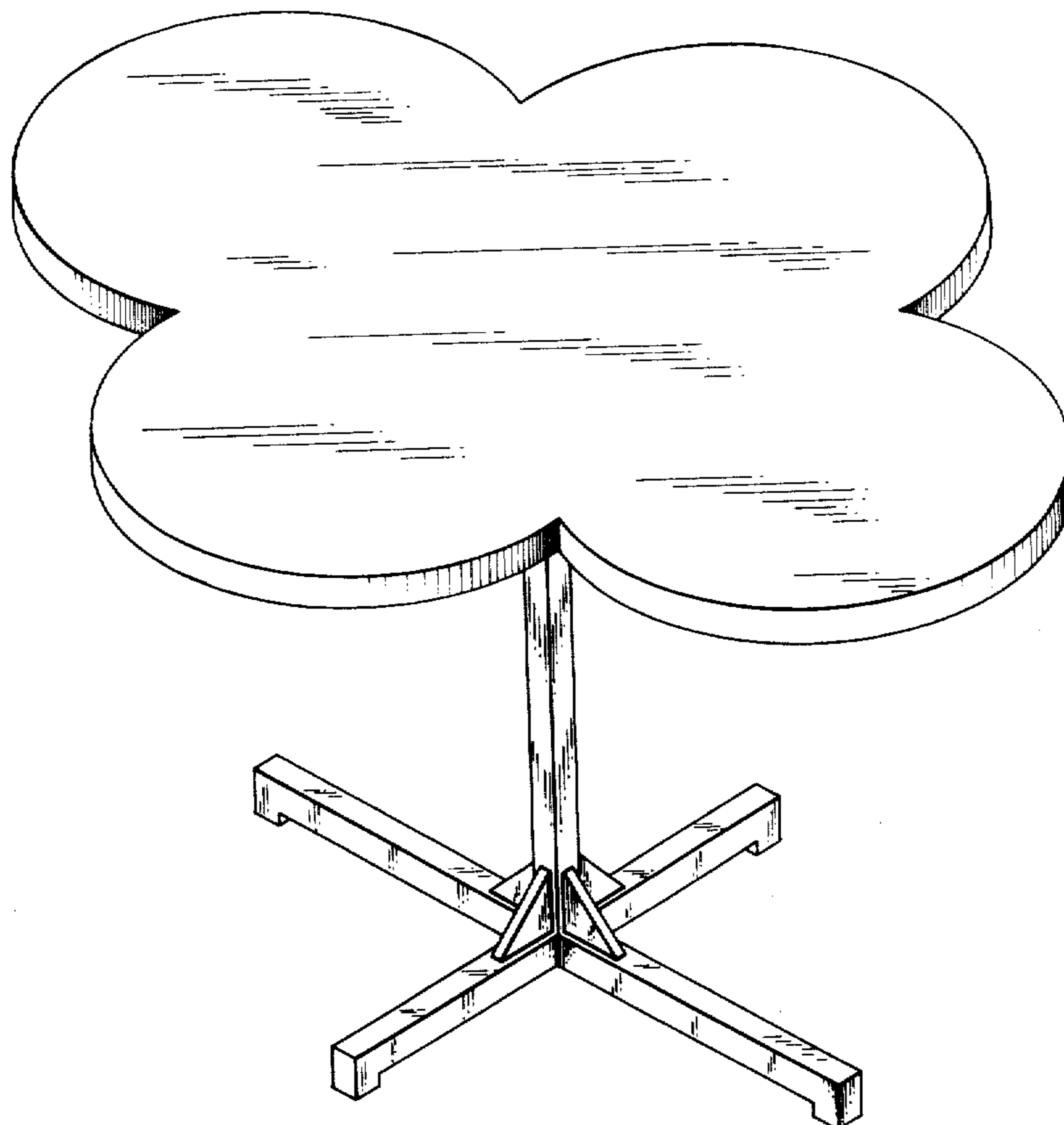
Primary Examiner—Bruce W. Dunkins  
Attorney, Agent, or Firm—Richard L. Caslin

[57] CLAIM

The ornamental design for a cloverleaf table, as shown and described.

DESCRIPTION

FIG. 1 is a full perspective view of a cloverleaf table according to the present invention;  
 FIG. 2 is an end elevational view of the table of FIG. 1, and each end view is a mirror image of the opposite end view.  
 FIG. 3 is a side elevational view of the table of FIG. 1, and each side elevational view is a mirror image of the opposite side elevational view;  
 FIG. 4 is a bottom plan view of the table of FIG. 1.



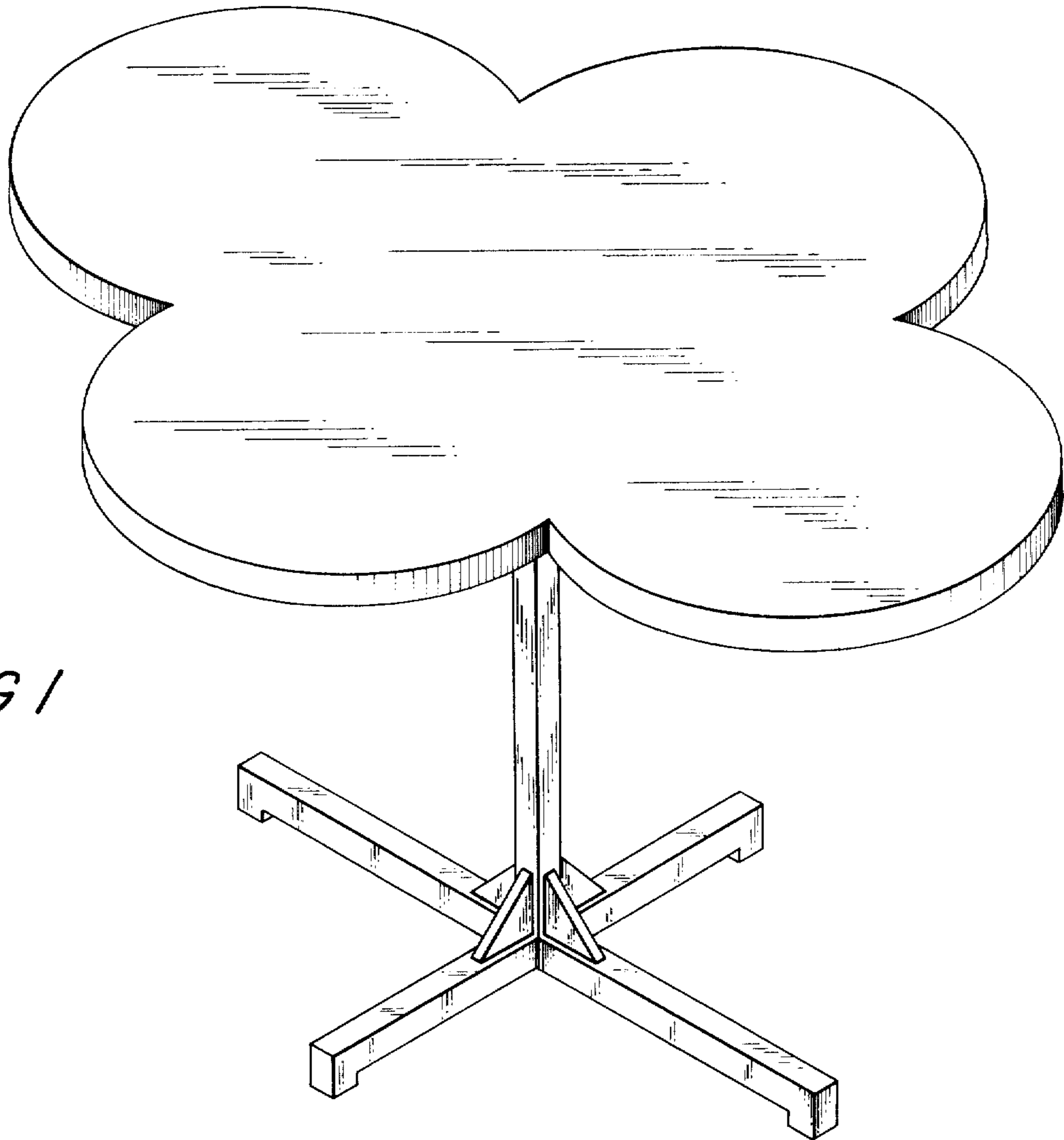


FIG 1

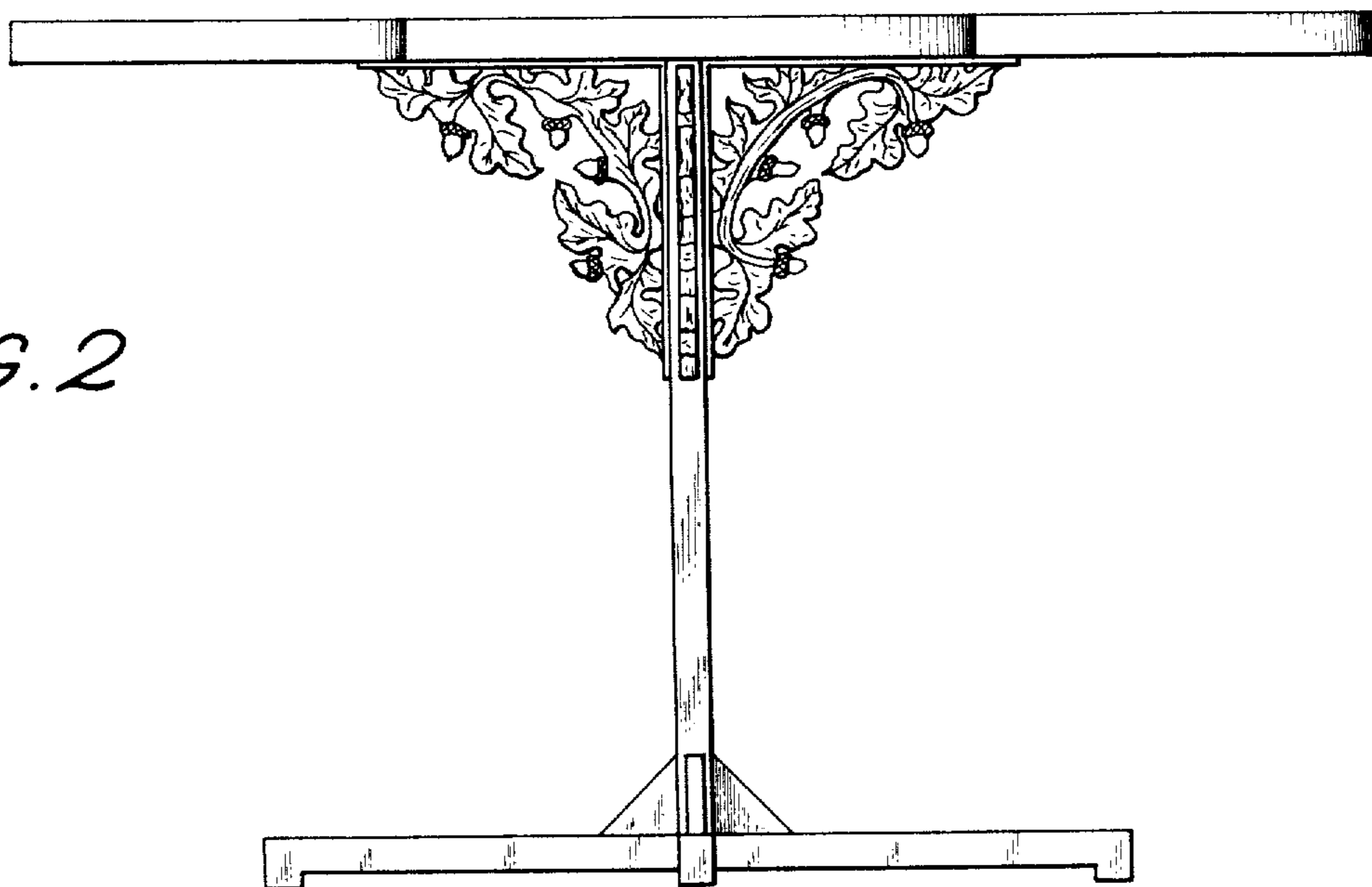
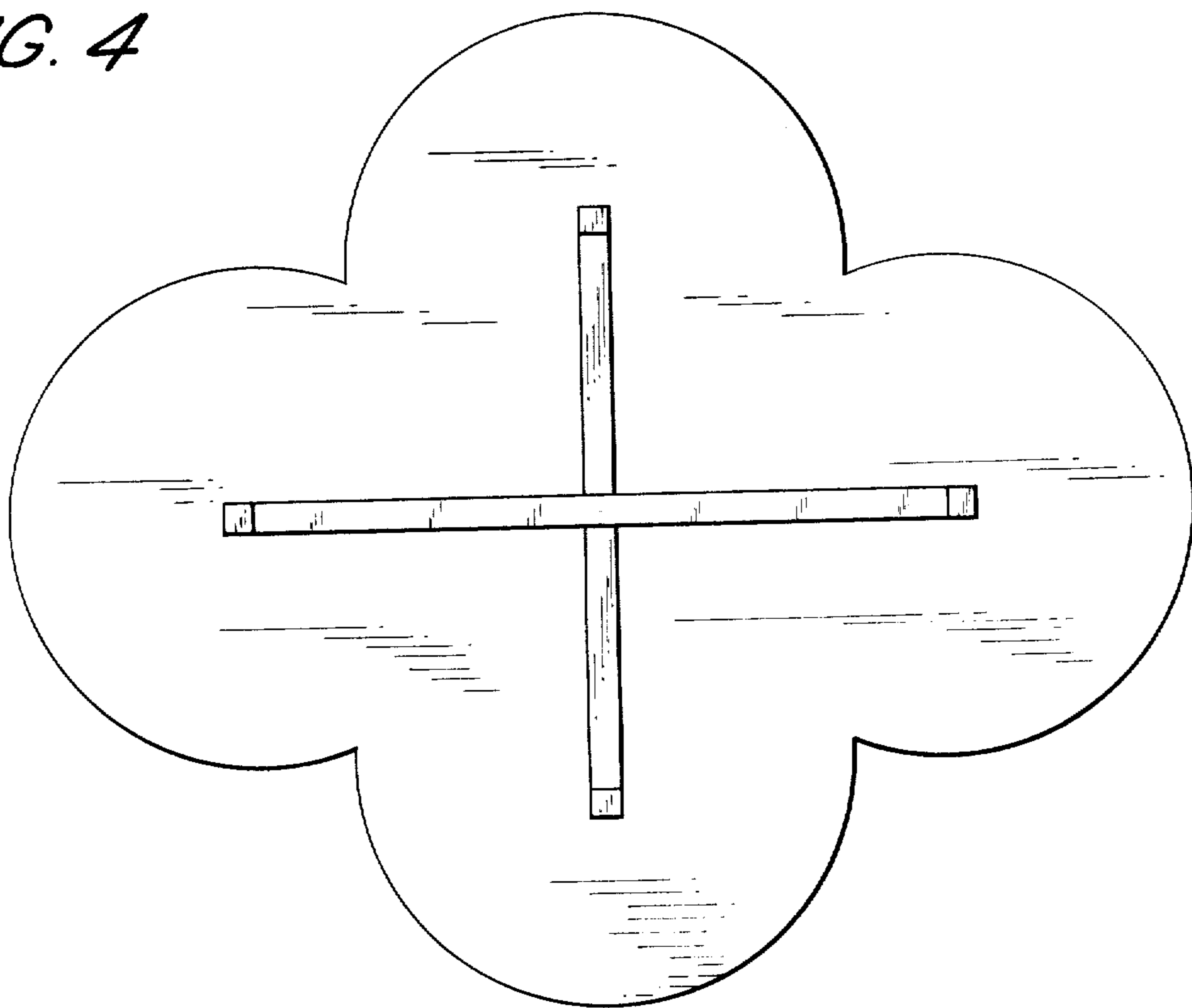


FIG. 2

*FIG. 4*



*FIG. 3*

