

[54] CAMERA BAG

[76] Inventor: Miller Outcalt, 225 Notteargenta, Pacific Palisades, Calif. 90272

[**] Term: 14 Years

[21] Appl. No.: 253,682

[22] Filed: Apr. 13, 1981

[51] Int. Cl. D3—02

[52] U.S. Cl. D3/33; D3/48; D3/71

[58] Field of Search D3/30.1, 33, 35, 42, D3/48, 71, 77, 39; 150/52 R, 52 J

[56] References Cited

U.S. PATENT DOCUMENTS

D. 257,652	12/1980	Katz	D3/71
2,960,137	11/1960	Lipsitz	D3/33
4,136,726	1/1979	Lee	D3/33
4,260,004	4/1981	Domke	D3/33

OTHER PUBLICATIONS

Evans Cat. 1977, p. 203x, Item No. 18.

Primary Examiner—George P. Word
Attorney, Agent, or Firm—Fulwider, Patton, Rieber, Lee & Utecht

[57] CLAIM

The ornamental design for a camera bag, substantially as shown and described.

DESCRIPTION

FIG. 1 is a front elevational view of a camera bag showing my new design;
 FIG. 2 is a right side elevational view thereof;
 FIG. 3 is a top plan view thereof;
 FIG. 4 is a left side elevational view thereof;
 FIG. 5 is a rear elevational view thereof;
 FIG. 6 is a bottom plan view thereof;
 FIG. 7 is a horizontal section taken on the line 7—7 of FIG. 1; and
 FIG. 8 is a vertical section taken on the line 8—8 of FIG. 7.

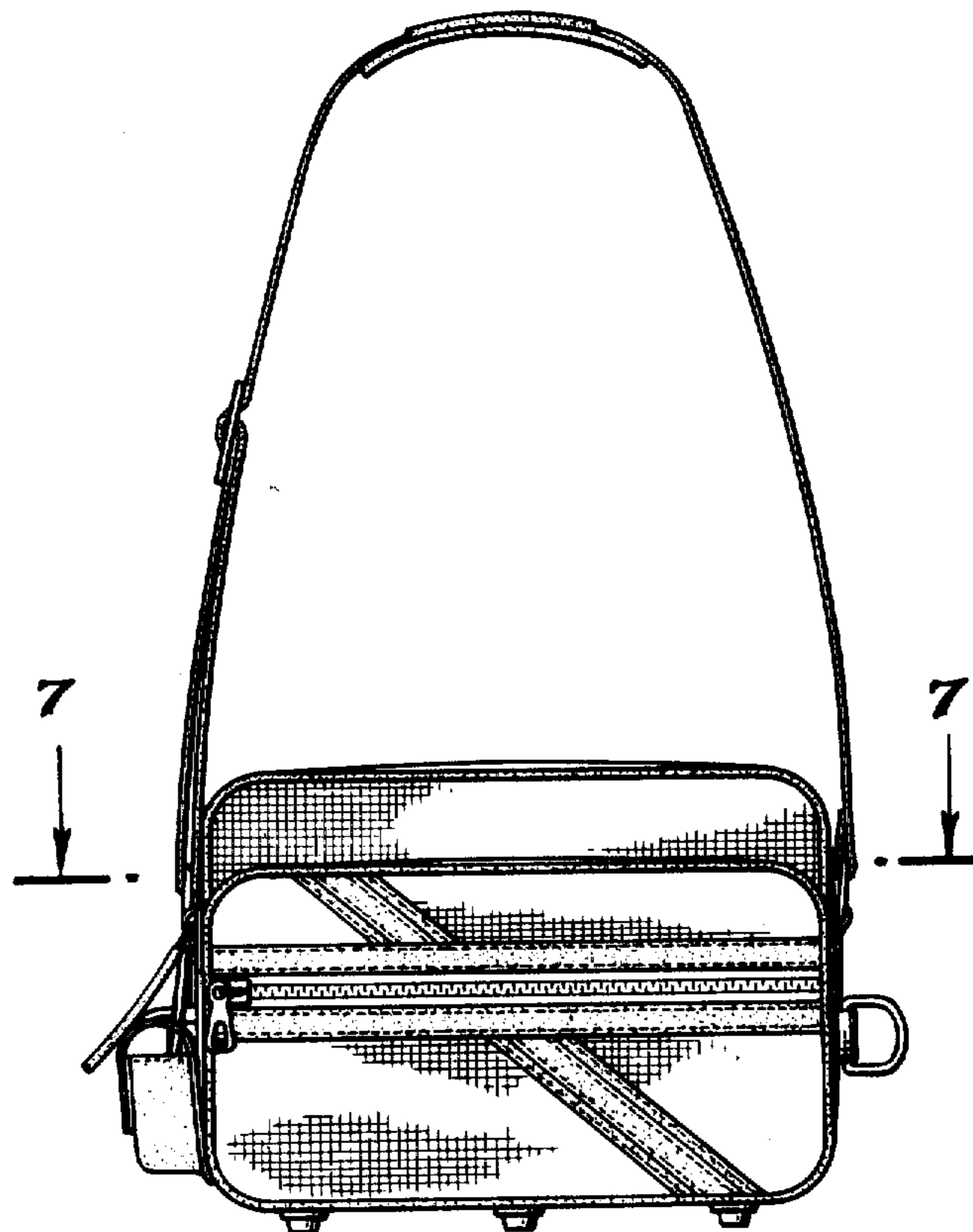


FIG. 1.

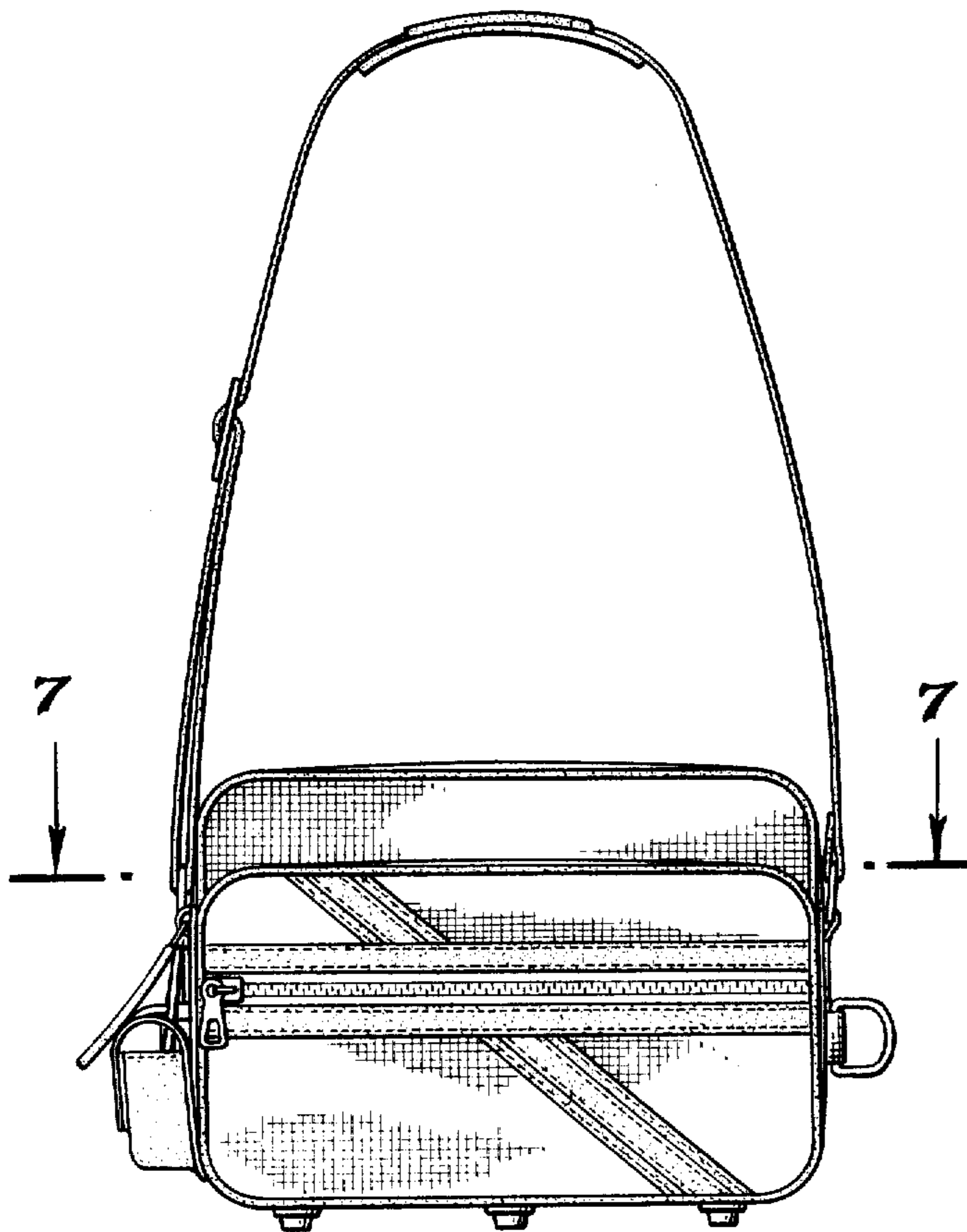


FIG. 2.

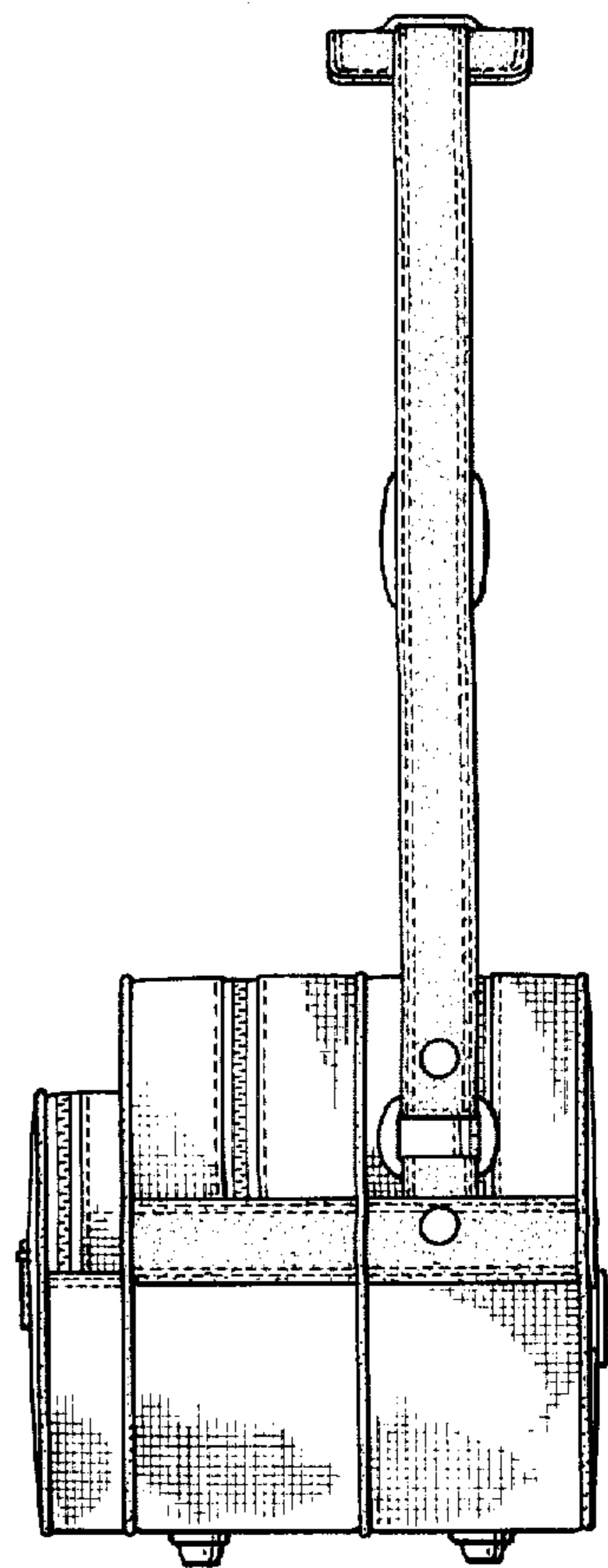


FIG. 3.

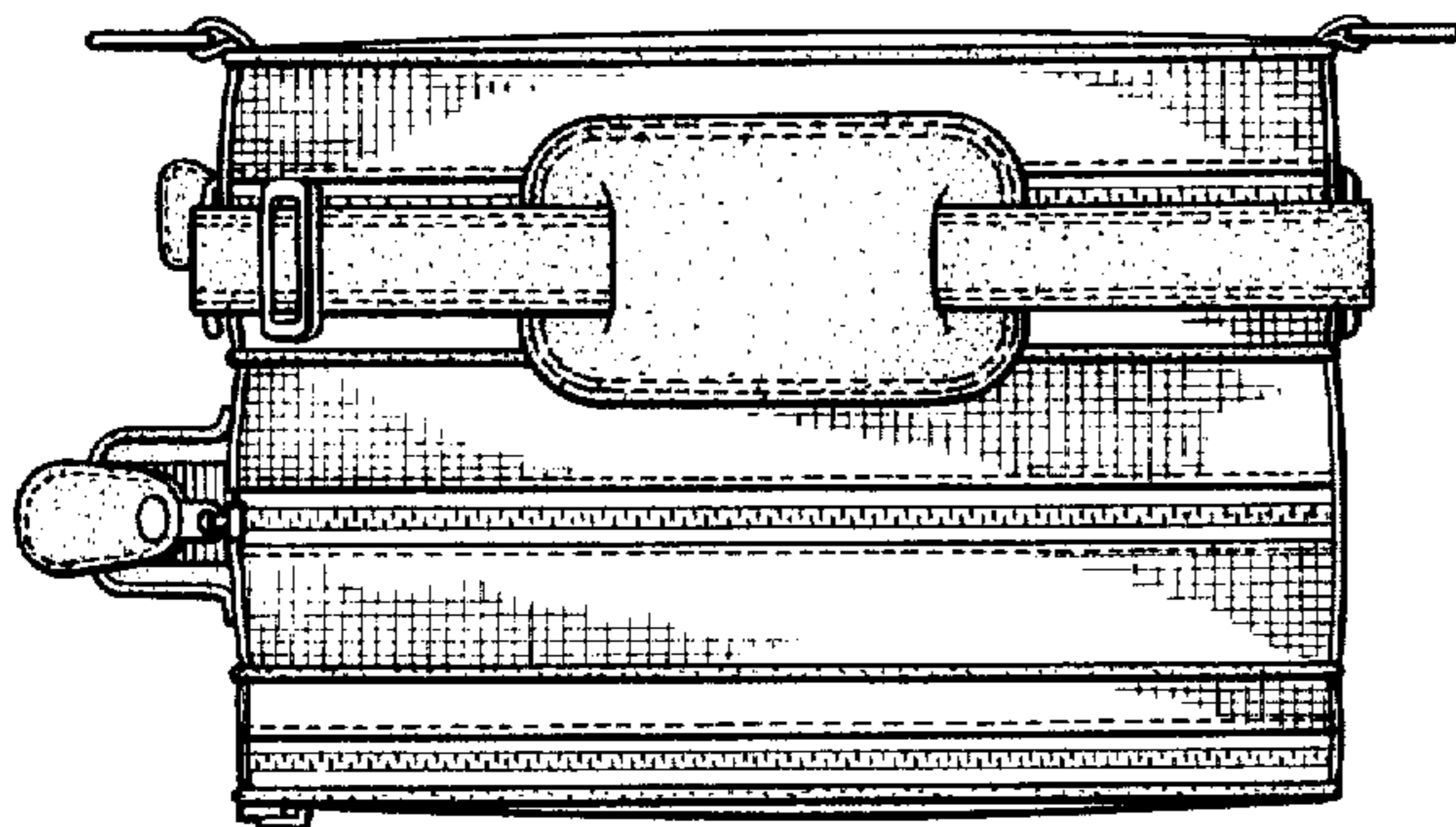


FIG. 4.

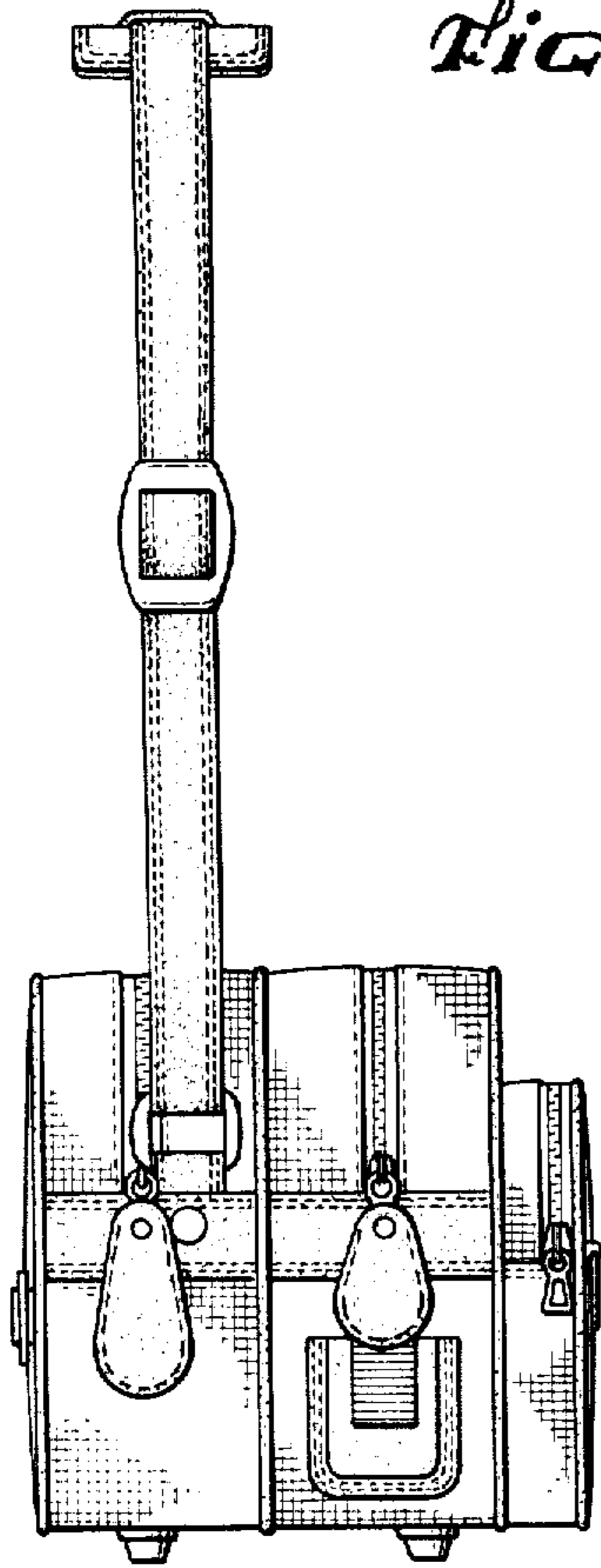


FIG. 5.

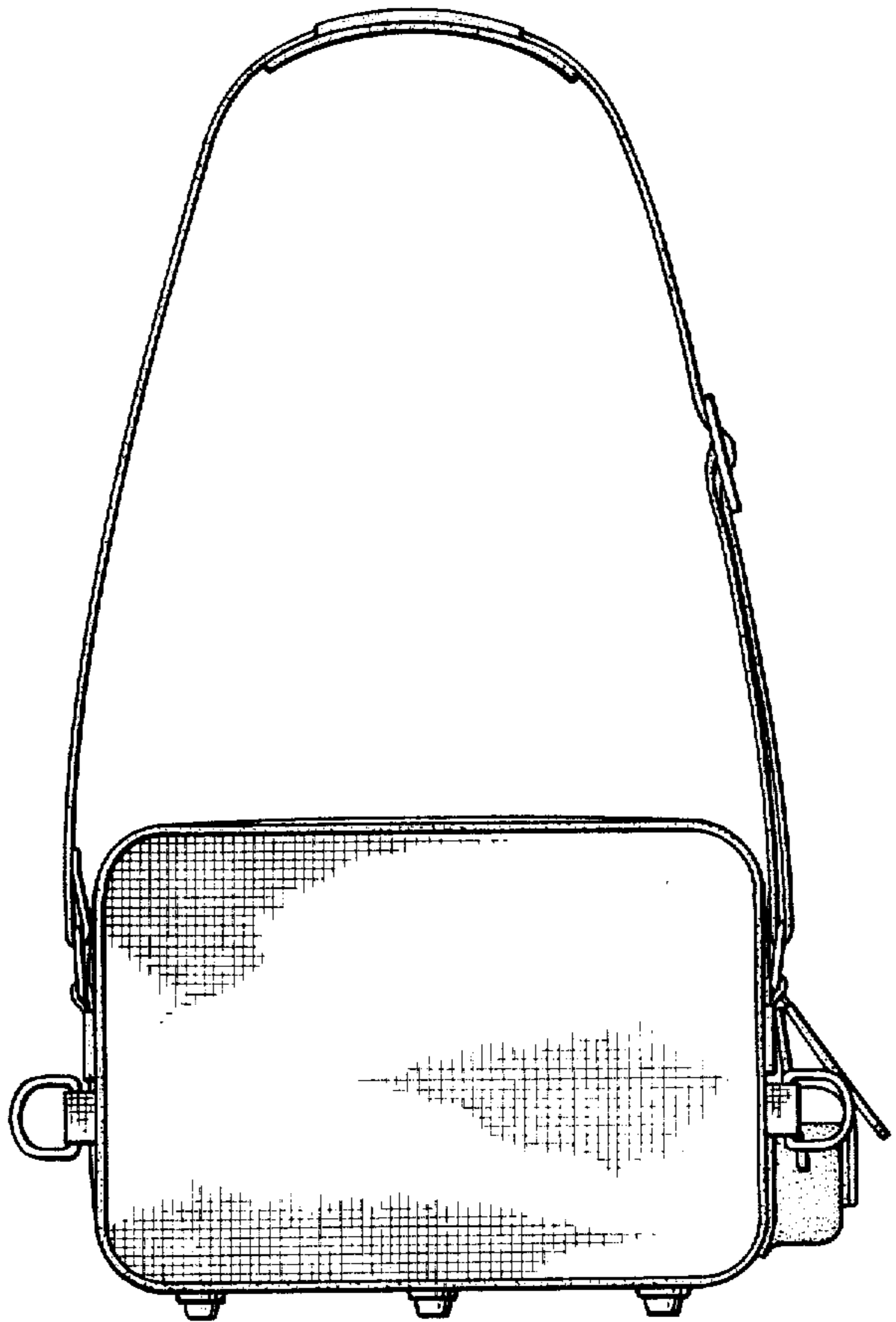


FIG. 6.

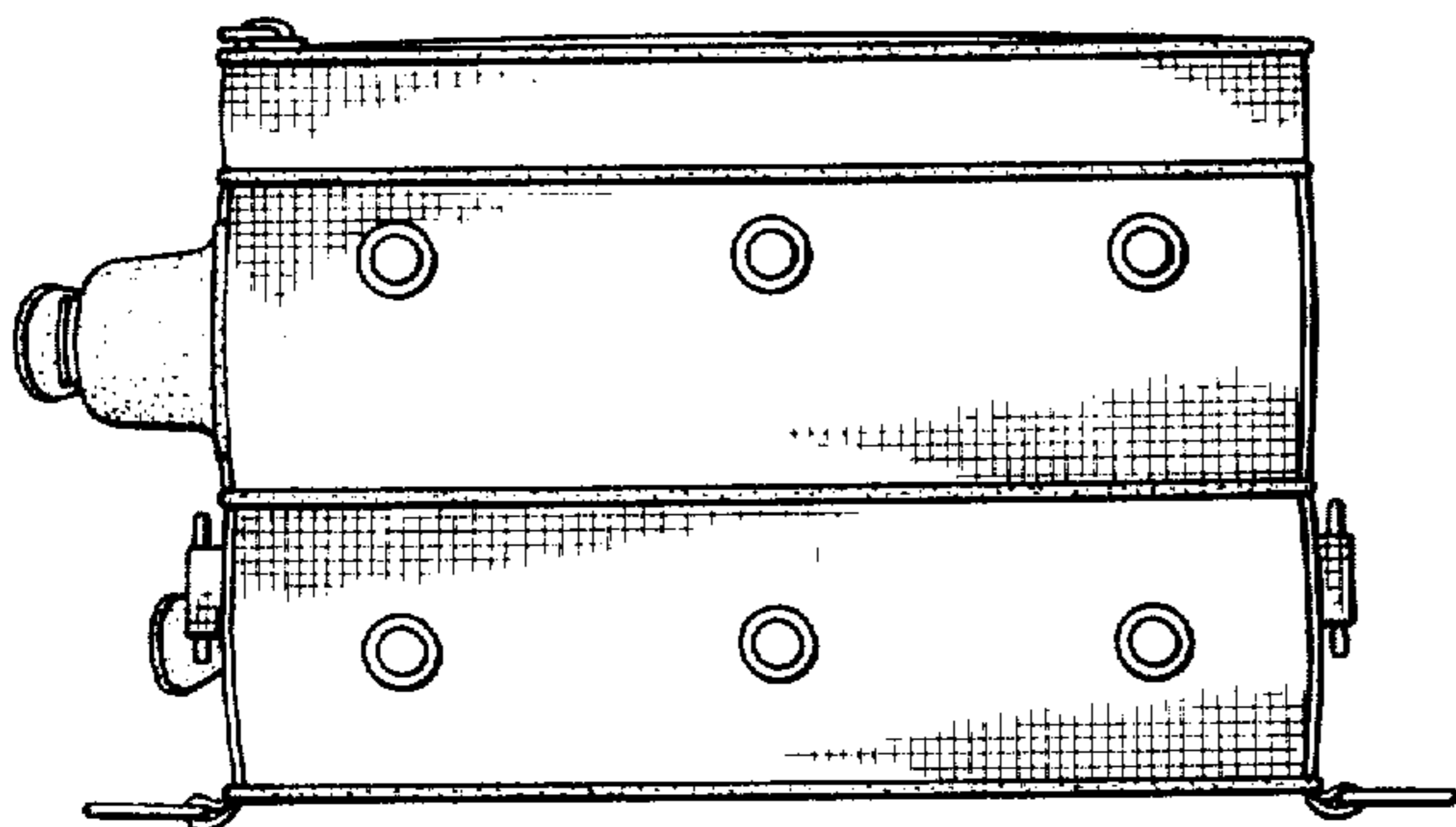


Fig. 7.

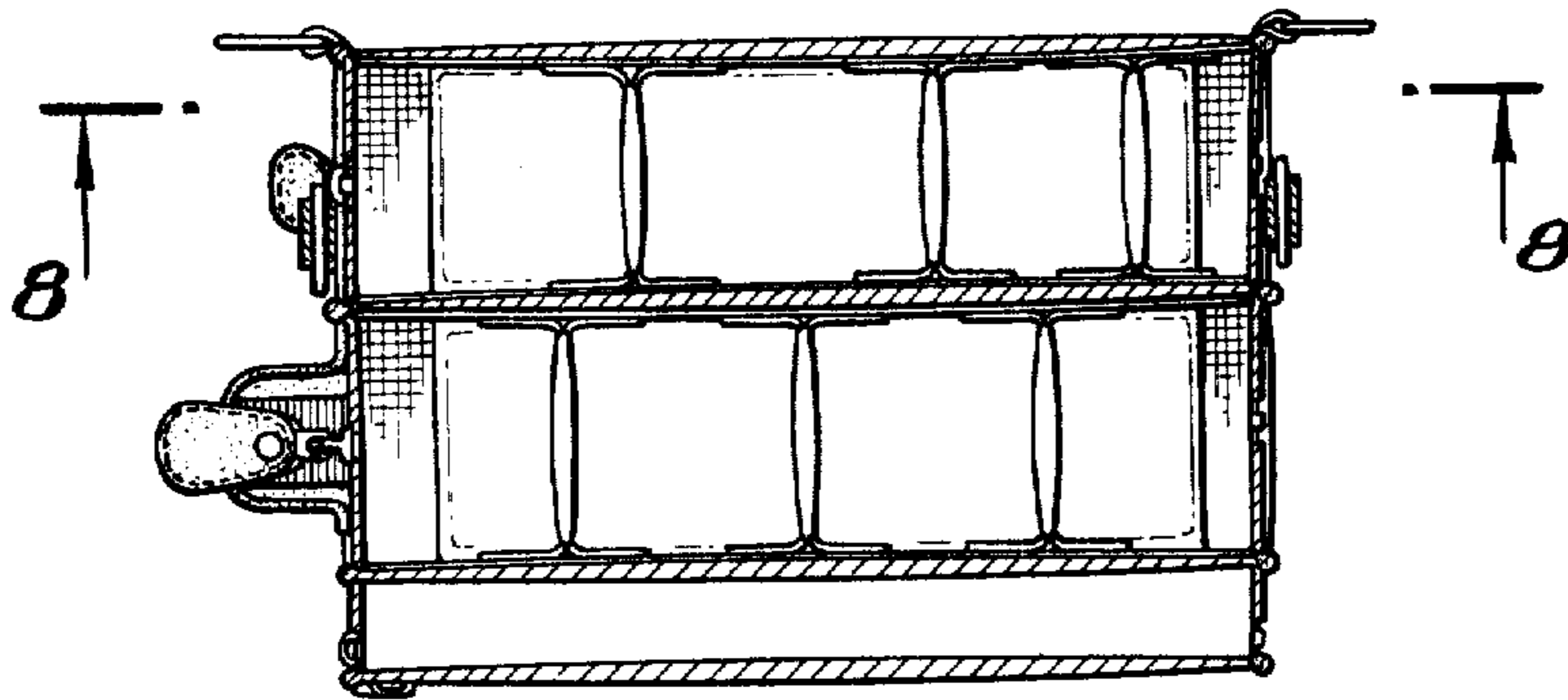


Fig. 8.

