

[54] COMBINED SOFFIT AND FASCIA PANEL

[75] Inventor: Robert Lloyd-Jones, Redcliffe, Australia

[73] Assignee: Salkhad Pty. Ltd., Brisbane, Australia

[\*\*] Term: 14 Years

[21] Appl. No.: 210,264

[22] Filed: Nov. 25, 1980

[51] Int. Cl. .... D25-02

[52] U.S. Cl. .... D25/55

[58] Field of Search ..... 52/11, 56, 94, 95, 56, 52/57, 58, 61, 70, 73, 74, 98, 55, 91; 98/29, 37, 42 A, DIG. 6; D25/55, 60, 61, 73, 74, 56, 57, 58, 98

[56] References Cited

U.S. PATENT DOCUMENTS

3,824,749 7/1974 Scherf ..... 52/11  
3,826,048 7/1974 Merkin et al. .... 52/94 X

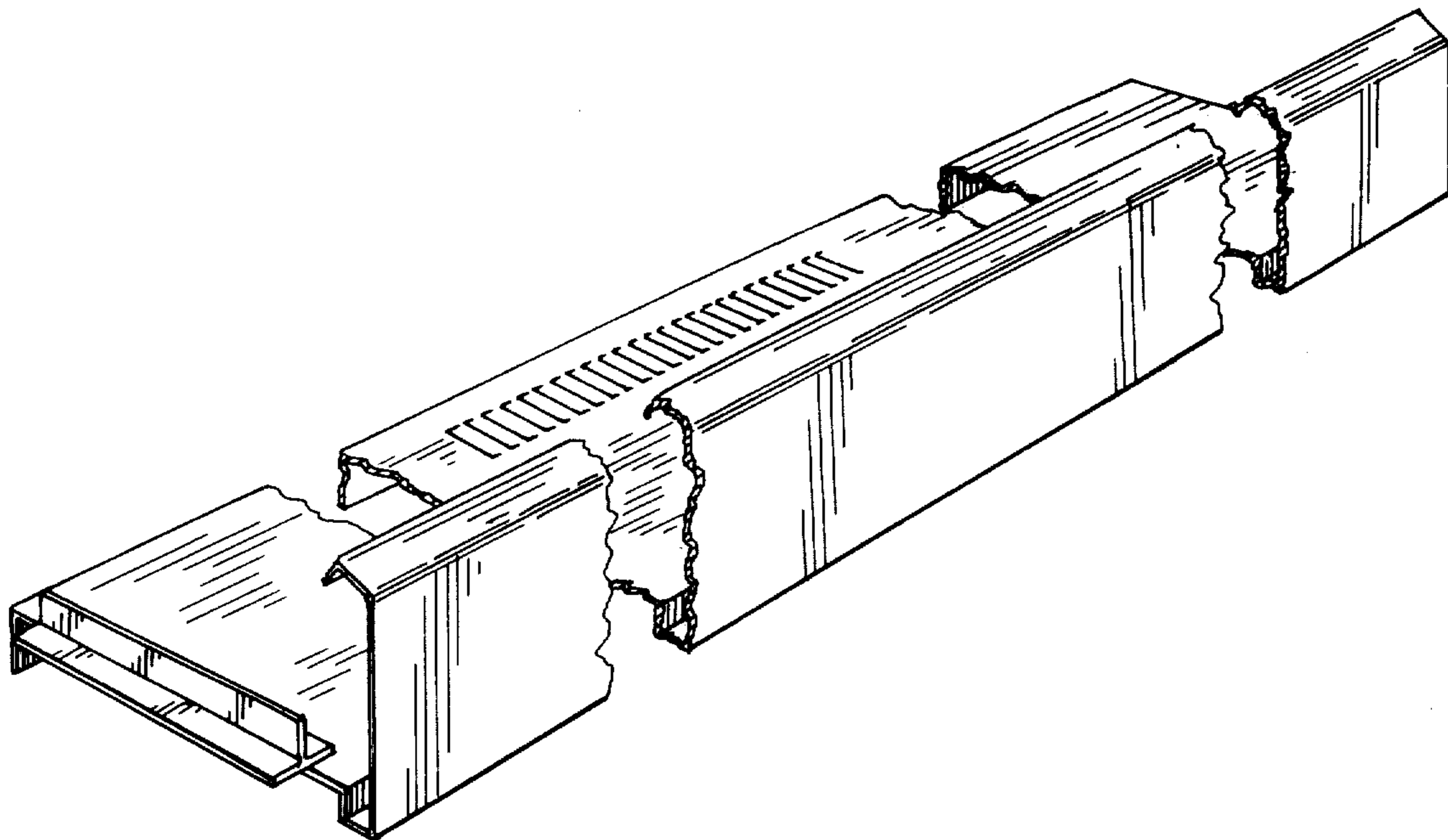
Primary Examiner—A. Hugo Word  
Attorney, Agent, or Firm—D. Paul Weaver

[57] CLAIM

The ornamental design for a combined soffit and fascia panel, as shown.

DESCRIPTION

FIG. 1 is a perspective view of the combined soffit and fascia panel, viewed from the front and from above, and FIG. 2 is a perspective view of the panel viewed from the rear and from below.



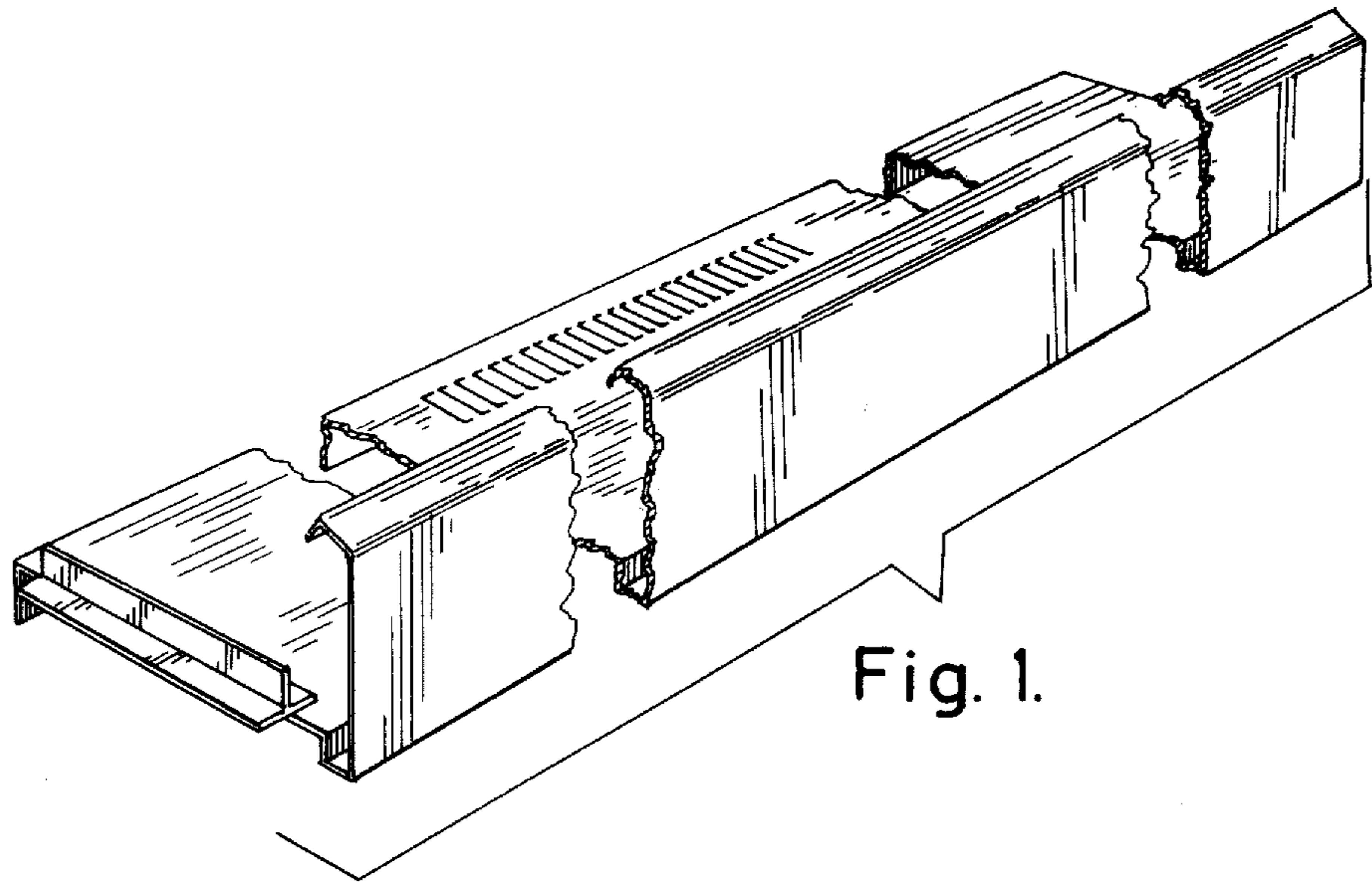


Fig. 1.

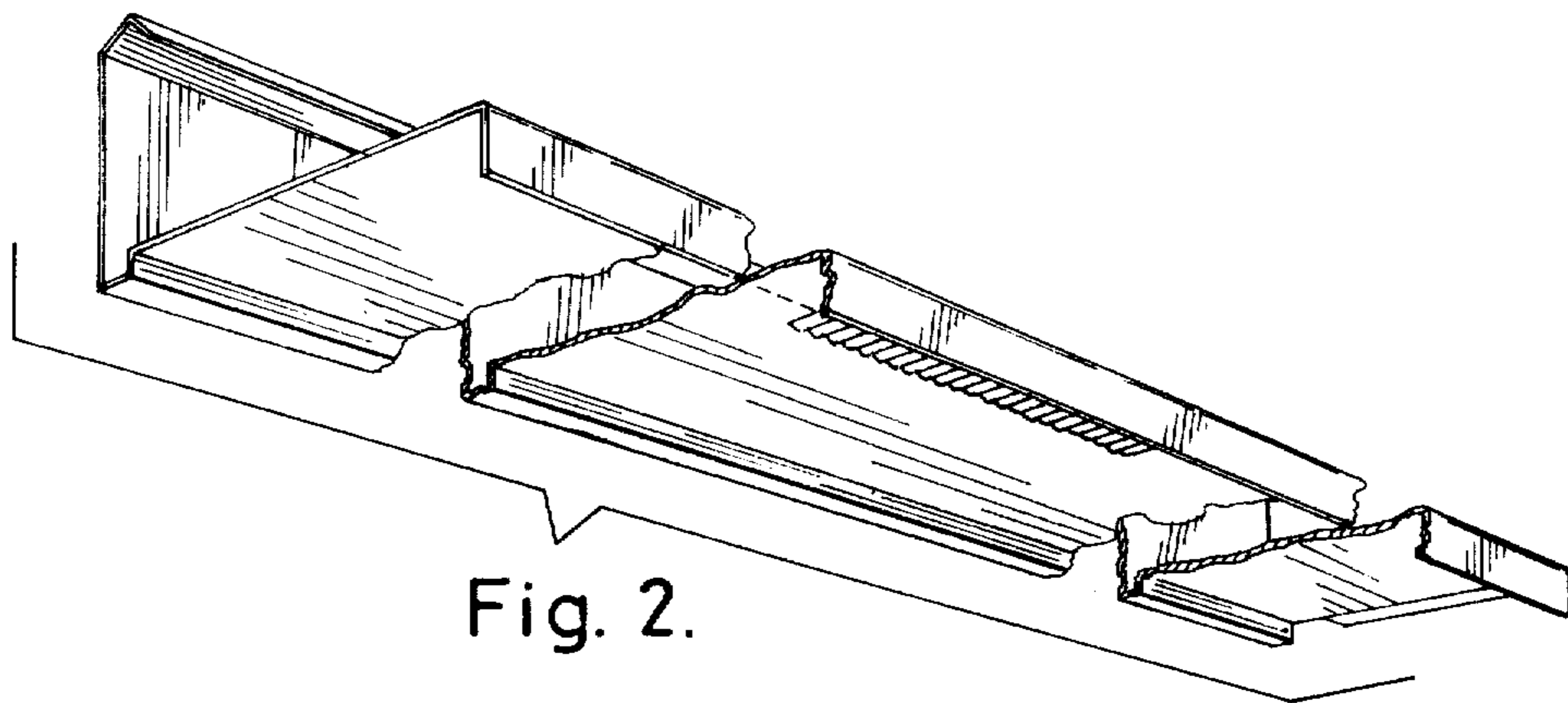


Fig. 2.