

[54] SCALP HYPOTHERMIA CAP  
 [76] Inventor: Mark Bowen, 919 Chantilly Rd., Los Angeles, Calif. 90024  
 [\*\*] Term: 14 Years  
 [21] Appl. No.: 179,034  
 [22] Filed: Aug. 18, 1980  
 [51] Int. Cl. .... D24-02  
 [52] U.S. Cl. .... D24/34; D2/230; D24/49; D24/64  
 [58] Field of Search ..... 128/399, 402, 403, 254; D2/230; D24/34, 64, 49

3,556,115 1/1971 Benson ..... D2/230 X  
 3,696,814 10/1972 Umemoto ..... 128/402 X  
 4,190,054 2/1980 Brennan ..... 128/402

Primary Examiner—Bernard Ansher  
 Attorney, Agent, or Firm—Freilich, Hornbaker, Wasserman, Rosen & Fernandez

[57] CLAIM

The ornamental design for a scalp hypothermia cap, substantially as shown and described.

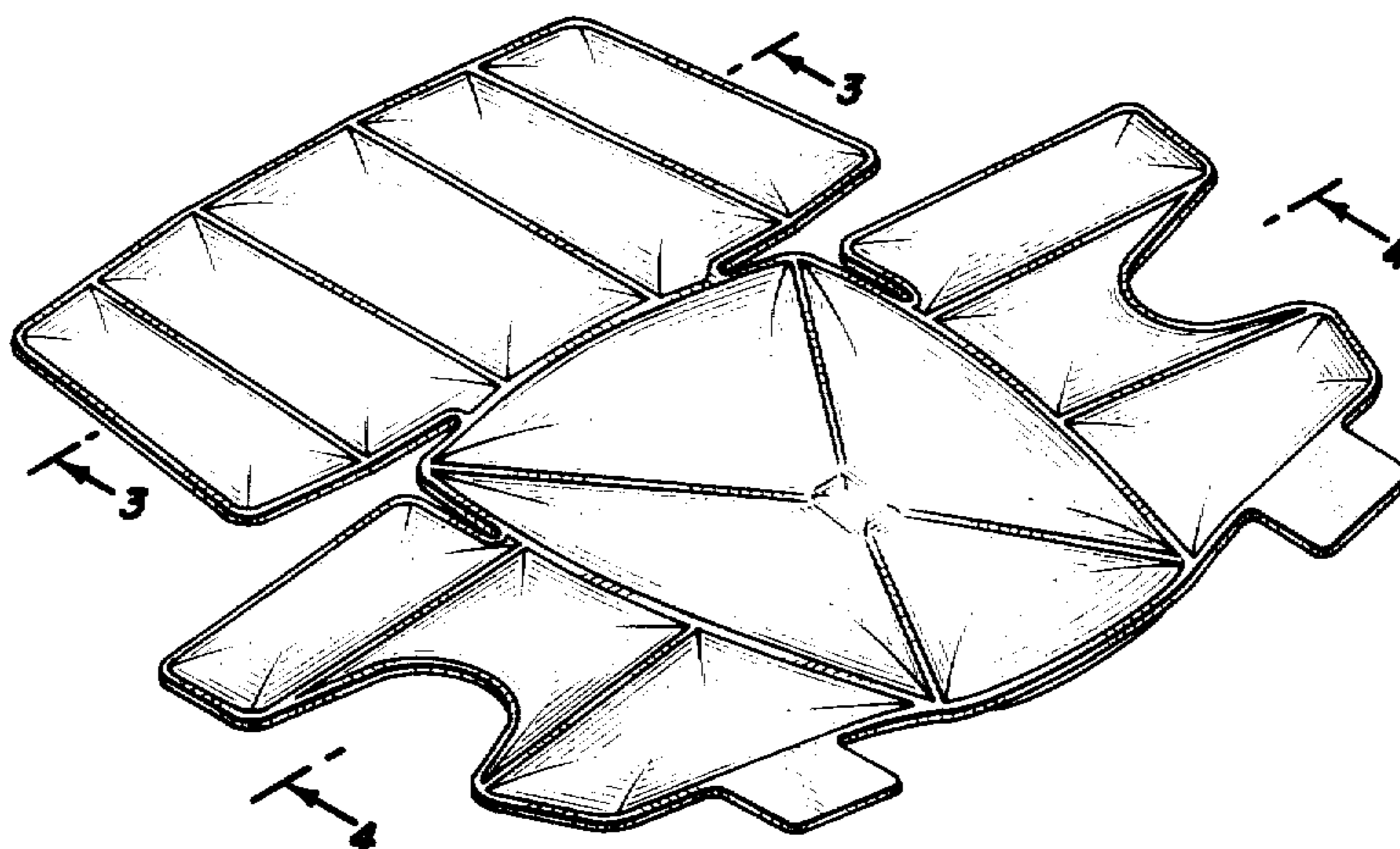
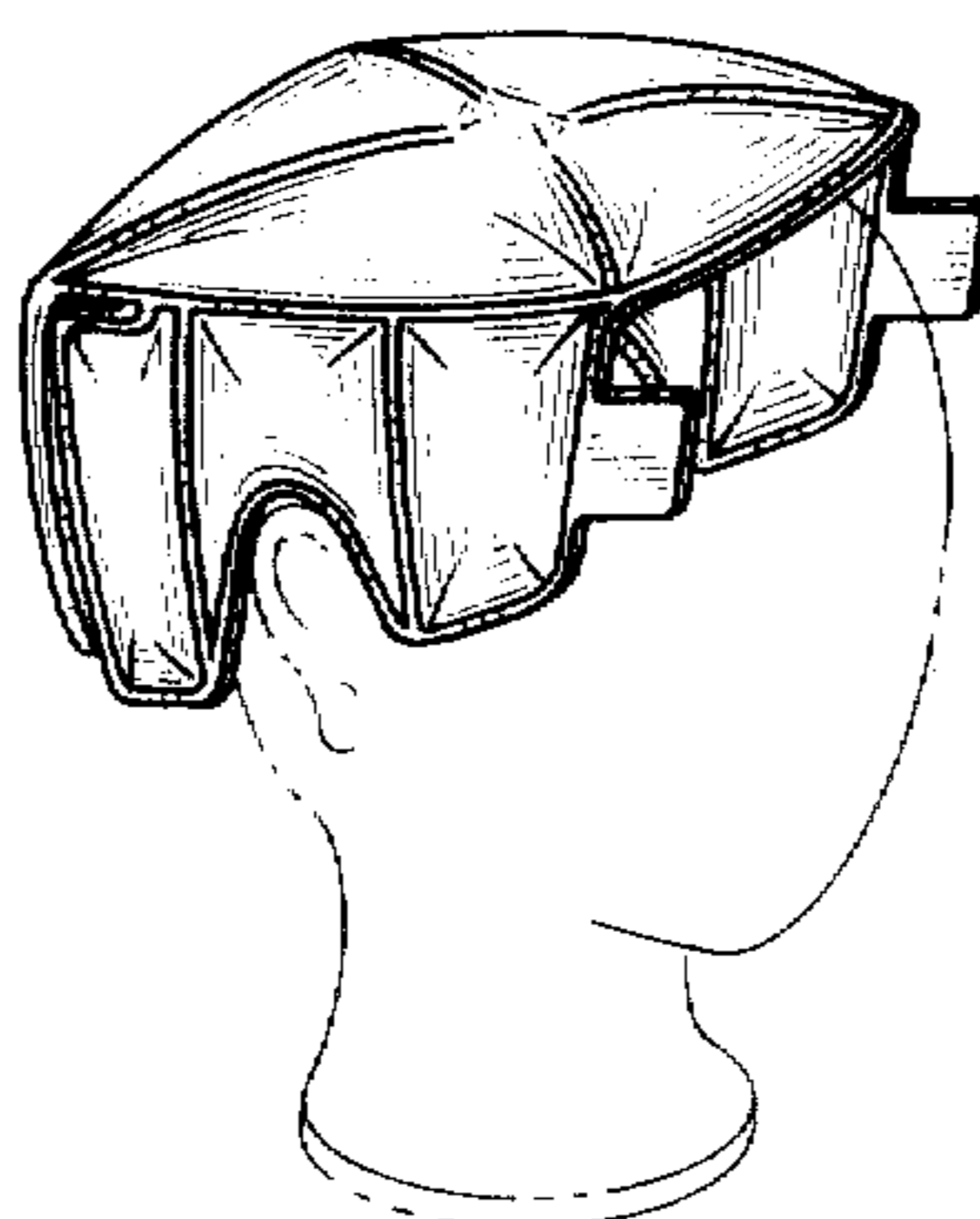
DESCRIPTION

FIG. 1 is a top perspective view of a scalp hypothermia cap showing my new design;  
 FIG. 2 is a top perspective view of the cap in an opened condition;  
 FIG. 3 is a cross-section taken on line 3—3 of FIG. 2;  
 FIG. 4 is a cross-section taken on line 4—4 of FIG. 2.  
 The broken lines are shown for illustrative purposes only.

[56] References Cited

U.S. PATENT DOCUMENTS

D. 247,266 2/1978 Yoshida ..... D2/230  
 D. 258,532 3/1981 Wagner ..... D24/64 X  
 3,491,761 1/1970 Baker ..... 128/402



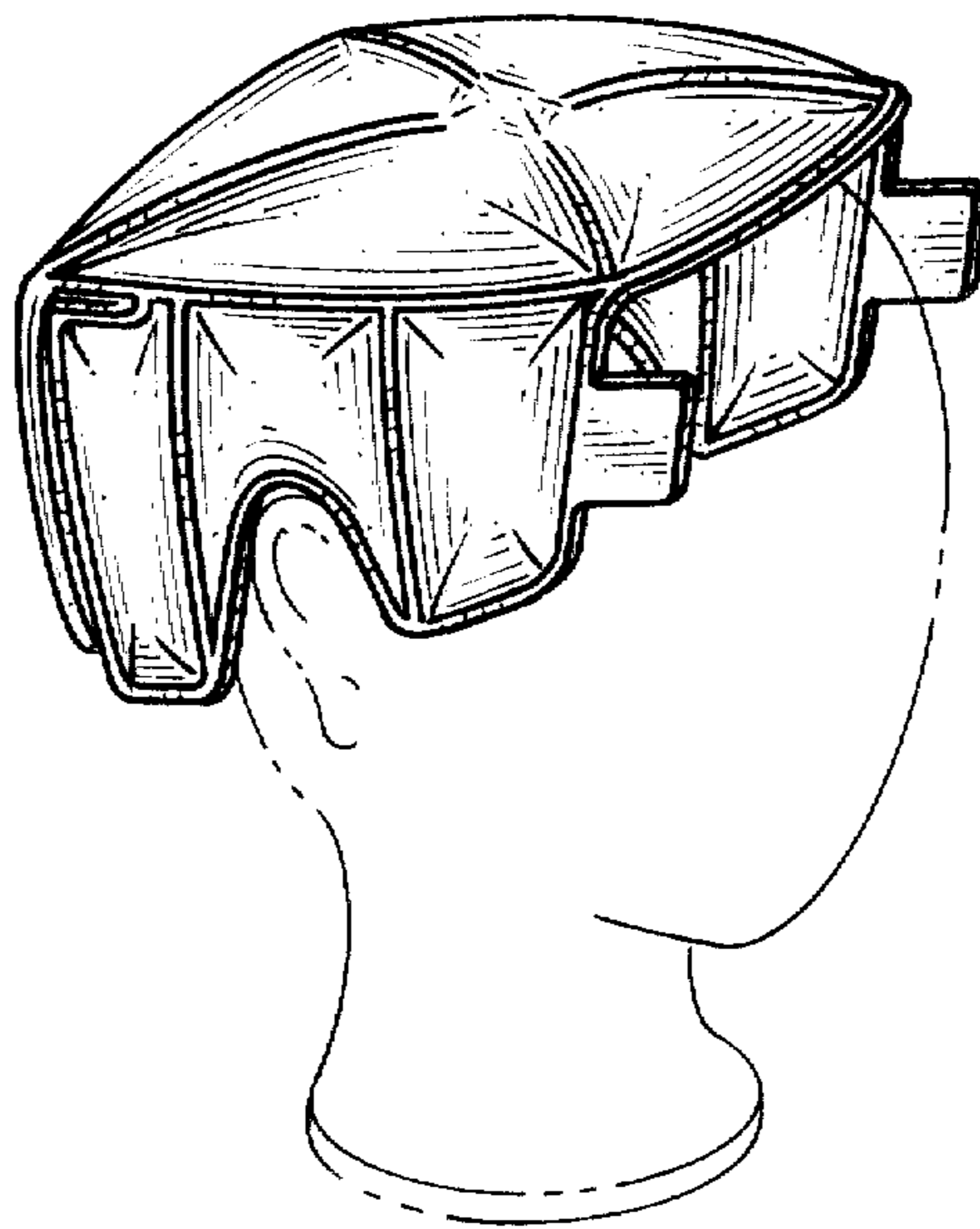


Fig. 1.

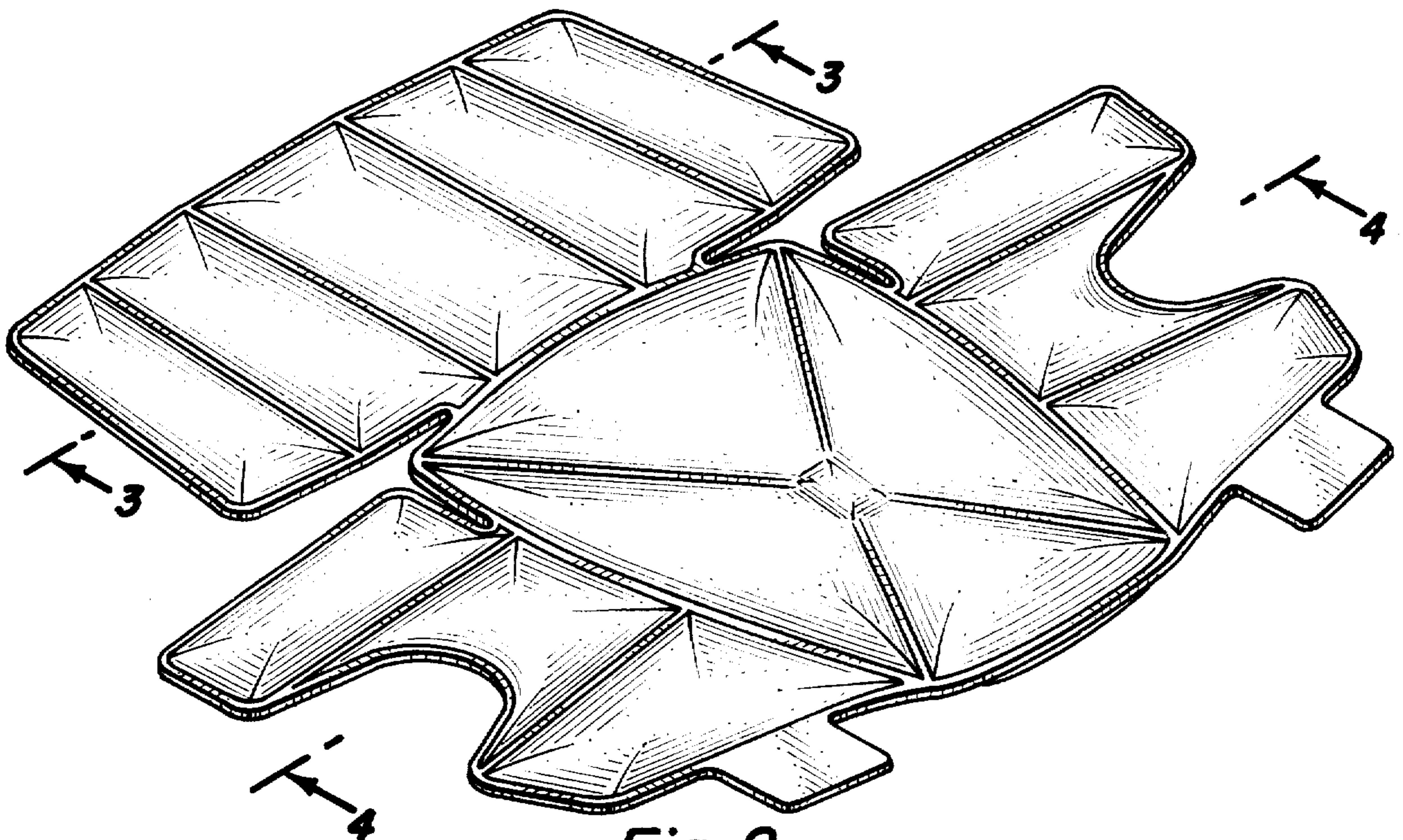


Fig. 2.

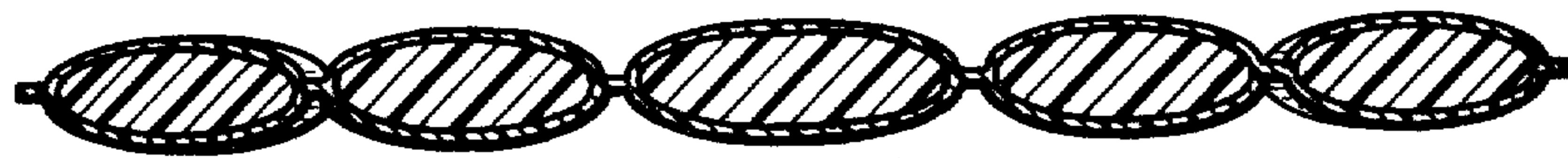


Fig. 3.



Fig. 4.