

[54] GOLF CLUB

[76] Inventor: Christopher K. Collins, 61 Hilton St., Manchester, M1 2EJ, England

[**] Term: 14 Years

[21] Appl. No.: 203,755

[22] Filed: Nov. 3, 1980

[30] Foreign Application Priority Data

May 3, 1980 [GB] United Kingdom 994766

[51] Int. Cl. D21-02

[52] U.S. Cl. D21/217

[58] Field of Search D21/214-220;
273/32 F, 167-175, 163, 164

[56] References Cited

U.S. PATENT DOCUMENTS

D. 161,790 1/1951 Sappington D21/217

D. 257,869 1/1981 MacDougall D21/219

2,056,335 10/1936 Wettlavfer 273/171
3,708,172 1/1973 Rango 273/164

Primary Examiner—Melvin B. Feifer
Attorney, Agent, or Firm—Sughrue, Mion, Zinn,
Macpeak and Seas

[57] CLAIM

The ornamental design for a golf club, as shown.

DESCRIPTION

FIG. 1 is a front perspective view of a golf club showing my new design;

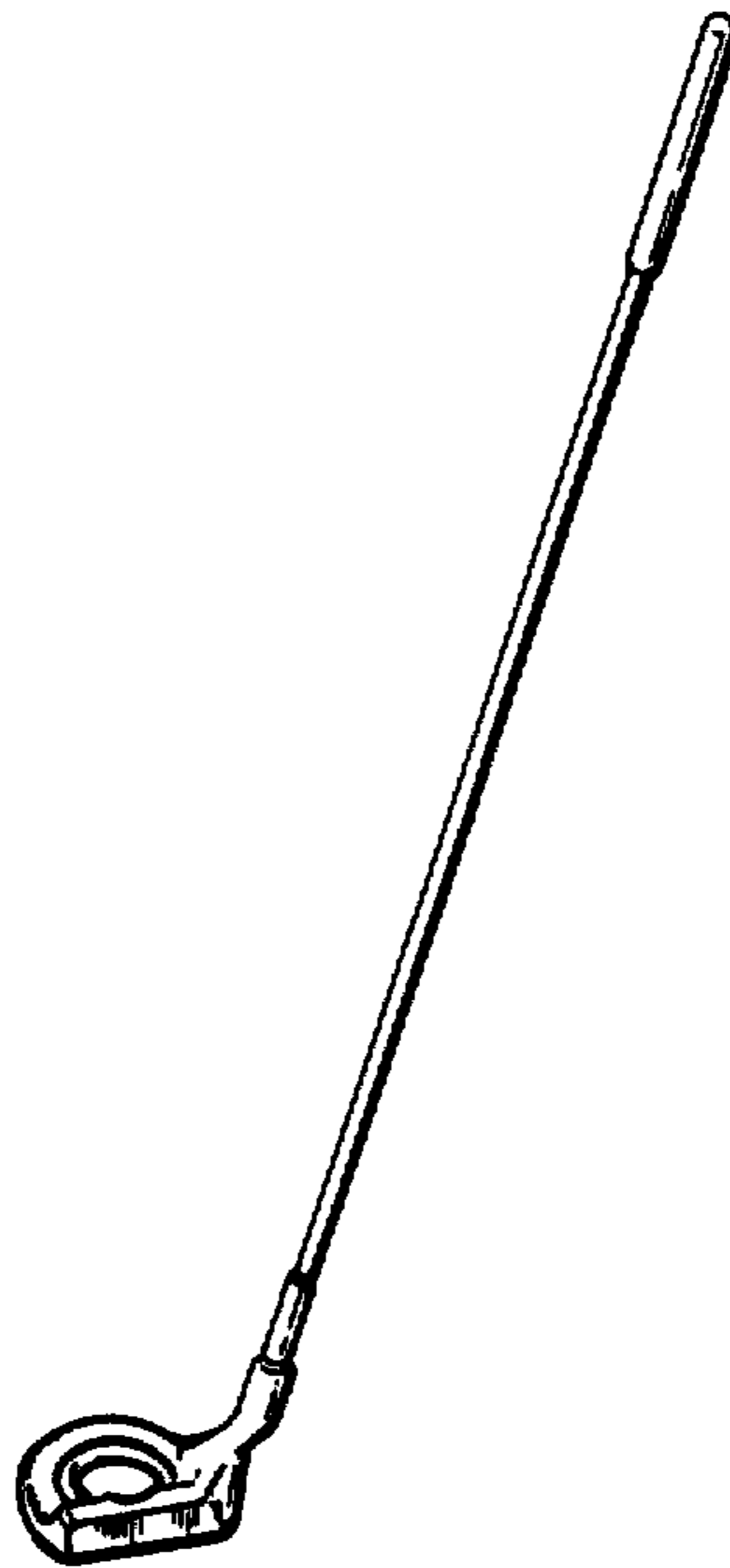
FIG. 2 is a fragmentary side view looking in direction of arrow—B;

FIG. 3 is a fragmentary rear view looking in direction of arrow—C;

FIG. 4 is a fragmentary front view looking in direction of arrow—D;

FIG. 5 is a fragmentary plan view looking in direction of arrow—A;

FIG. 6 is a sectional view looking in direction of line X—X.



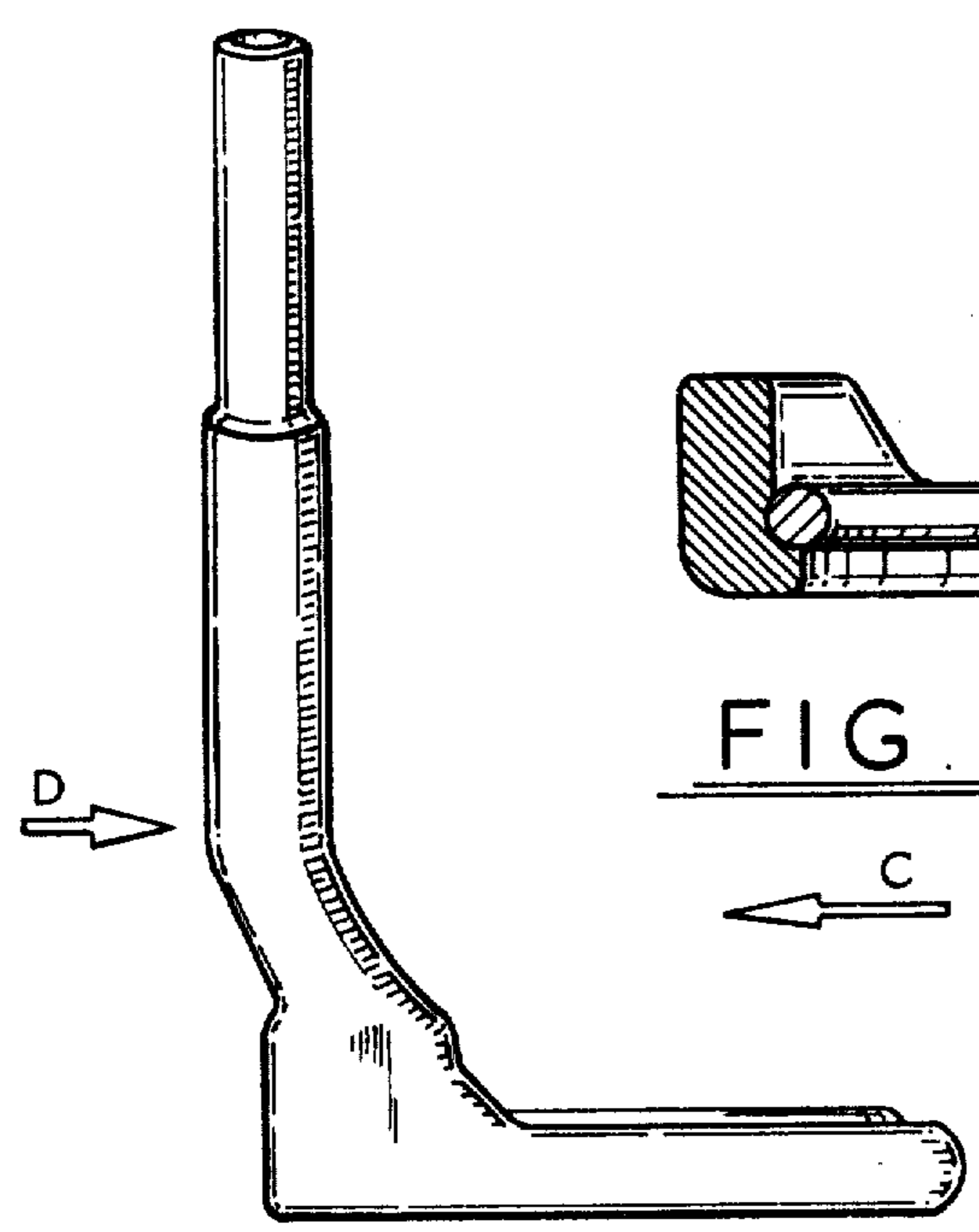


FIG. 2

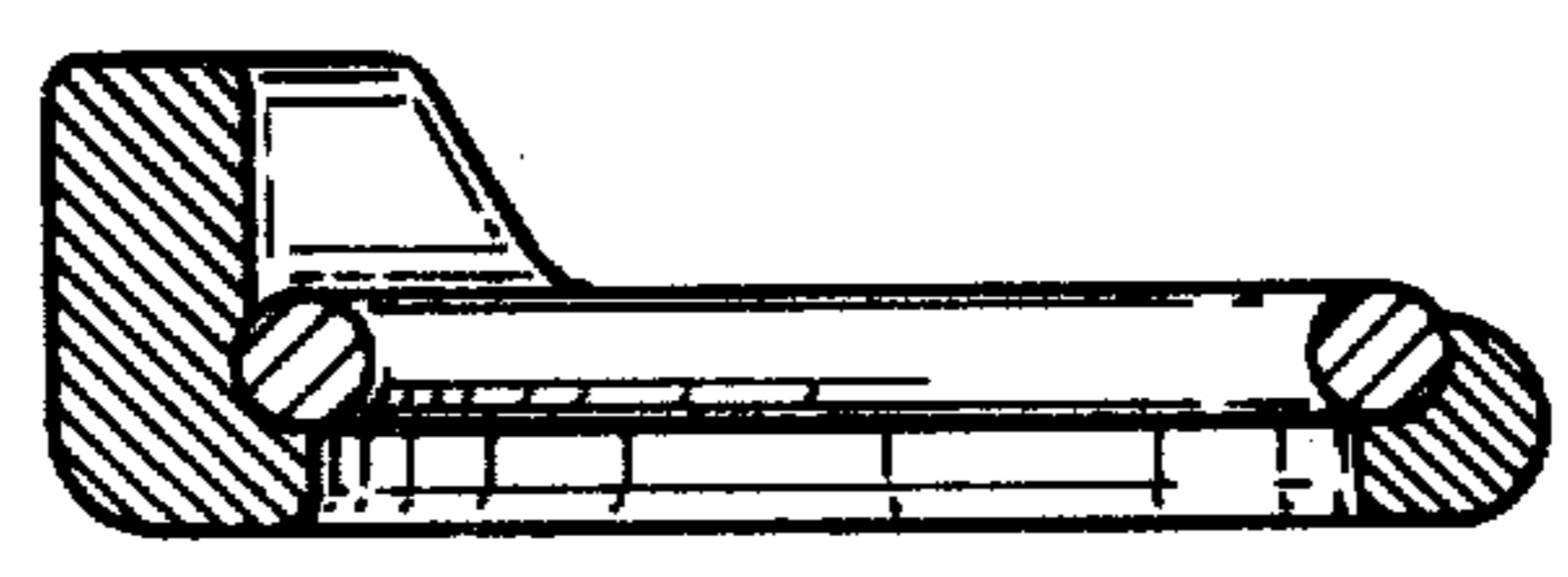


FIG. 6

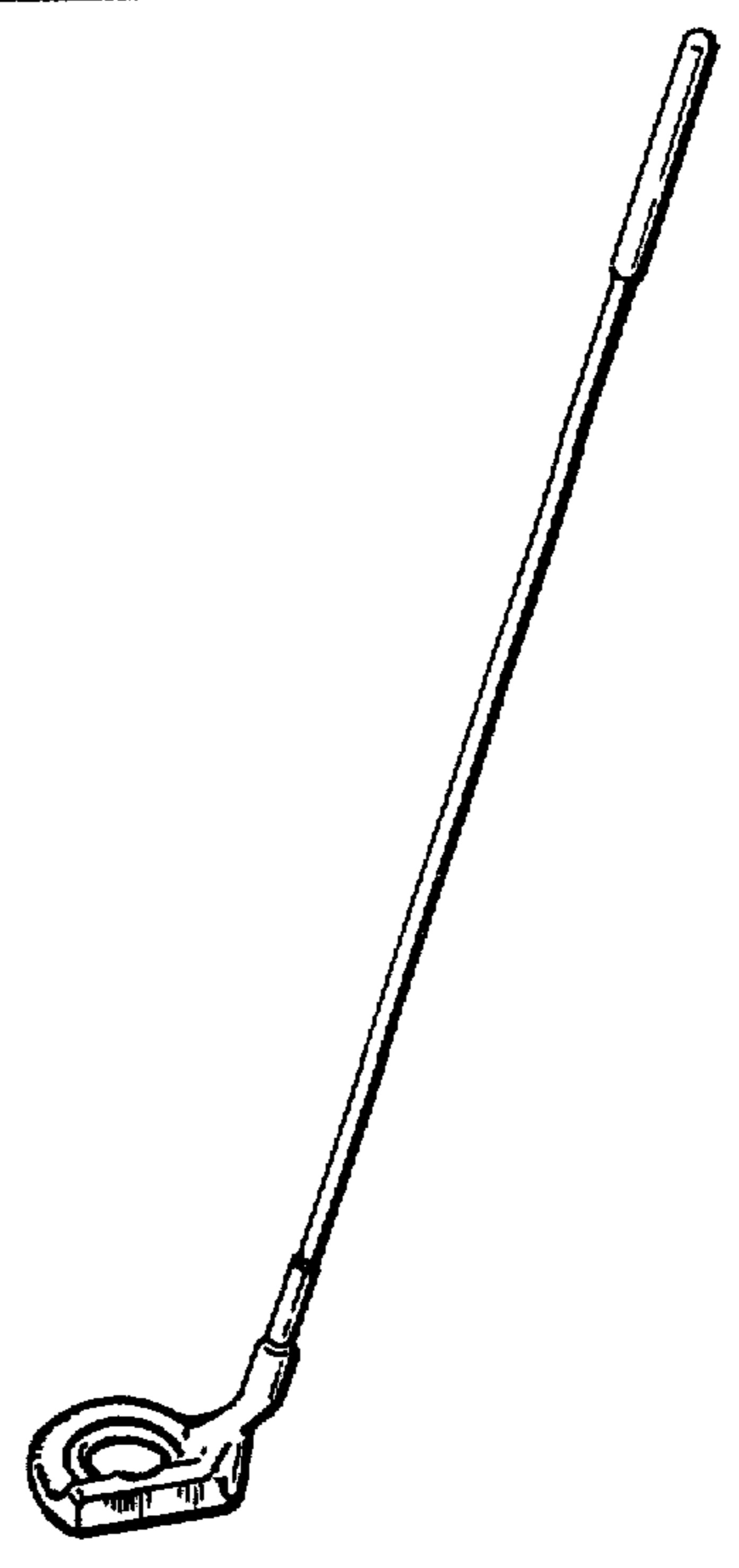


FIG. 1

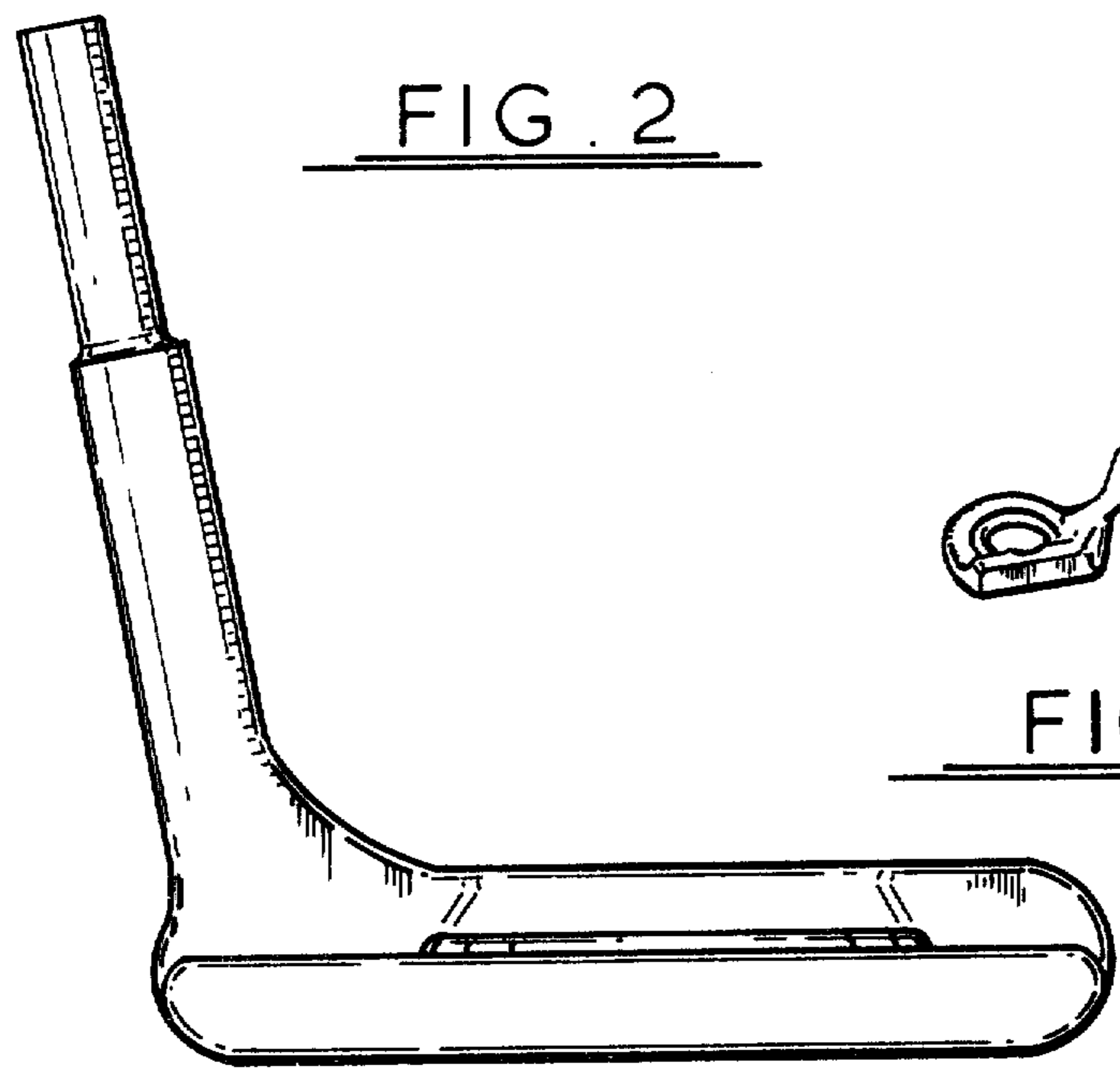


FIG. 3

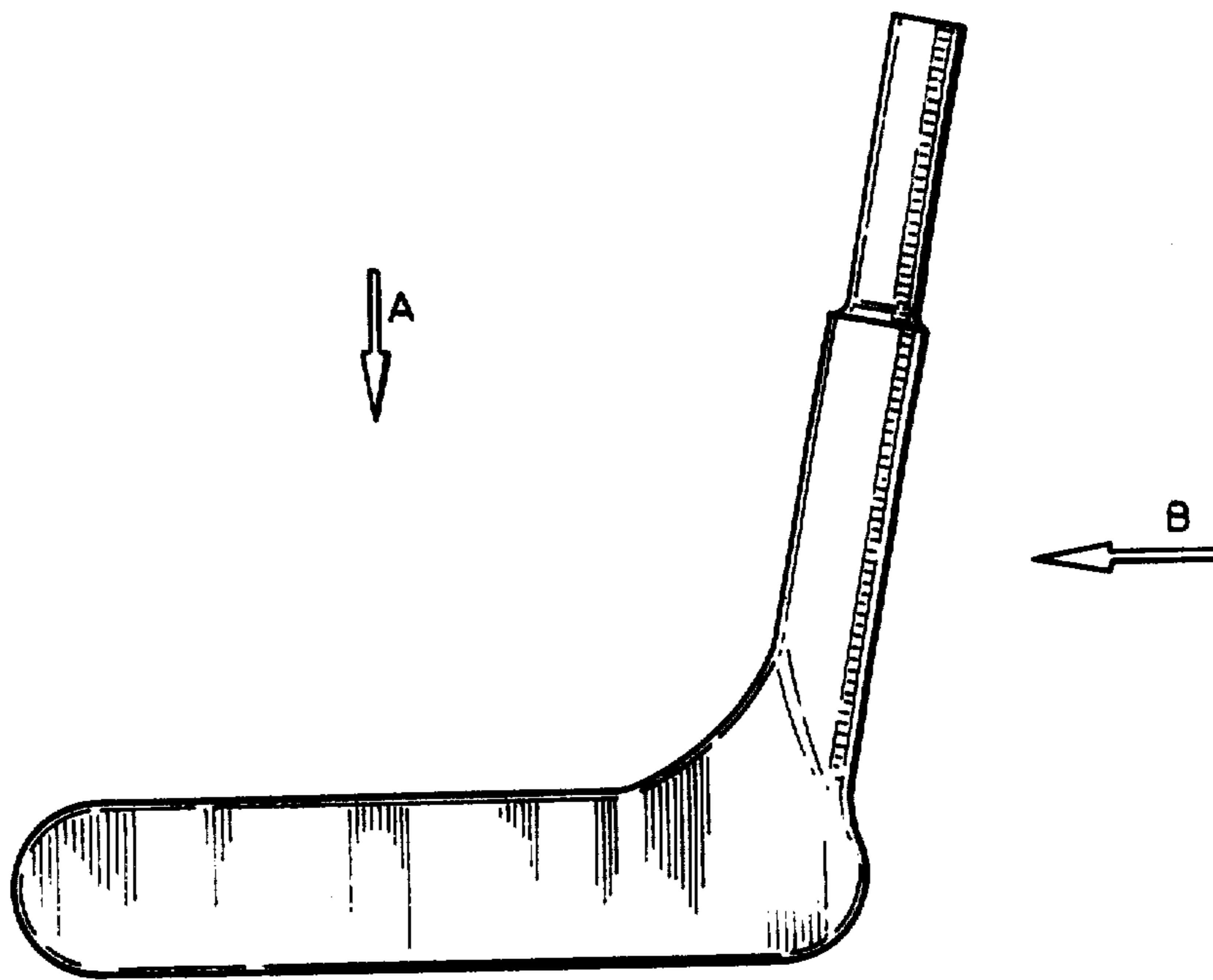


FIG. 4

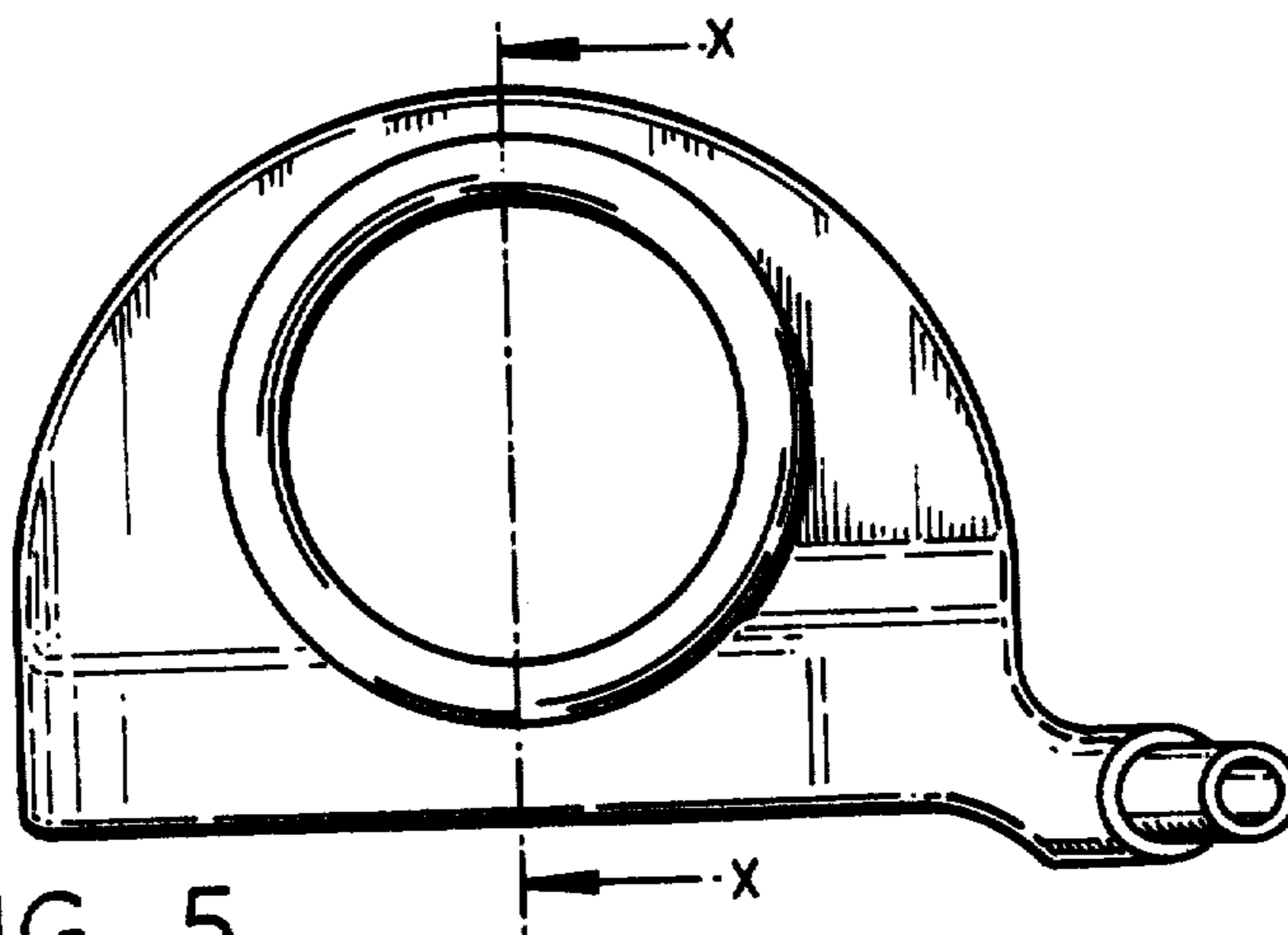


FIG. 5