

[54] **SLIDE VIEWER**

[75] **Inventor:** Rudolph Hanke, Monheim, Fed. Rep. of Germany

[73] **Assignee:** Hama Hamaphot KG, Monheim, Fed. Rep. of Germany

[**] **Term:** 14 Years

[21] **Appl. No.:** 206,432

[22] **Filed:** Nov. 13, 1980

[51] **Int. Cl.** D16-03

[52] **U.S. Cl.** D16/17

[58] **Field of Search** D16/17, 11, 14, 15, D16/18; 40/361, 362, 363, 364, 365, 366, 367

[56] **References Cited**

U.S. PATENT DOCUMENTS

D. 181,019	9/1957	Parcher	D16/17
D. 211,135	5/1968	Tan	D16/17
D. 215,034	8/1969	Steinbach	D16/17
D. 215,035	8/1969	Steinbach	D16/17
3,018,575	1/1962	Barre	40/362
3,626,617	12/1971	Frey	40/367

FOREIGN PATENT DOCUMENTS

901250	7/1962	United Kingdom	40/367
947228	1/1964	United Kingdom	40/367

Primary Examiner—Nelson C. Holtje
Attorney, Agent, or Firm—Merriam, Marshall & Bicknell

[57] **CLAIM**

The ornamental design for a slide viewer, substantially as shown and described.

DESCRIPTION

FIG. 1 is a right front perspective view of a slide viewer showing my new design with the support in the raised position;
FIG. 2 is a left rear perspective view thereof with the support in a folded position;
FIG. 3 is a right side elevational view of FIG. 1;
FIG. 4 is a front elevational view of FIG. 1;
FIG. 5 is a top plan view of FIG. 3 with the support in the folded position;
FIG. 6 is a bottom plan view of FIG. 4;
FIG. 7 is a rear elevational view of FIG. 4;
FIG. 8 is a front elevational view of FIG. 2;
FIG. 9 is a right side elevational view of FIG. 2;
FIG. 10 is a rear elevational view of FIG. 8;
FIG. 11 is a bottom plan view of FIG. 9.

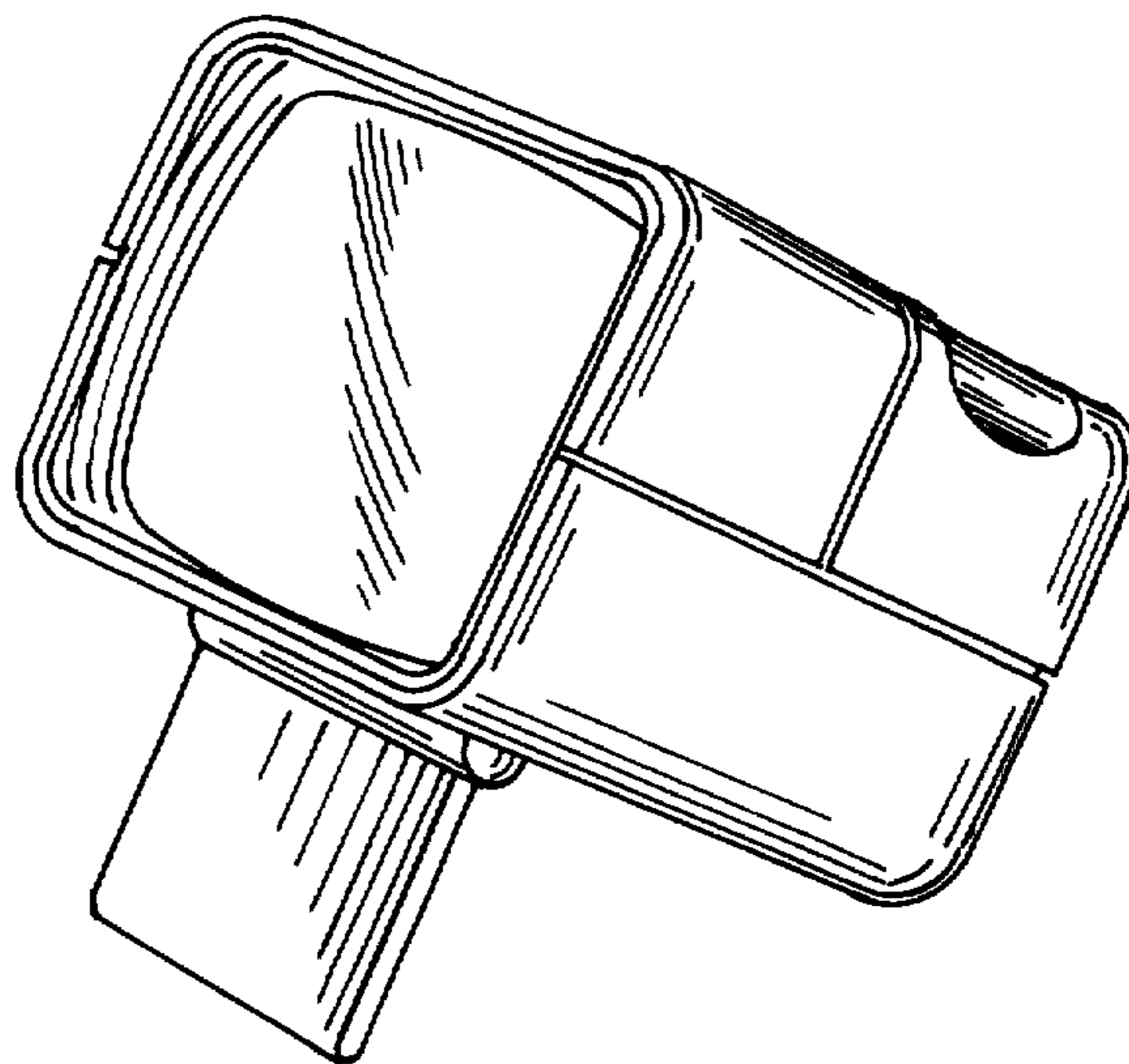


FIG. 1.

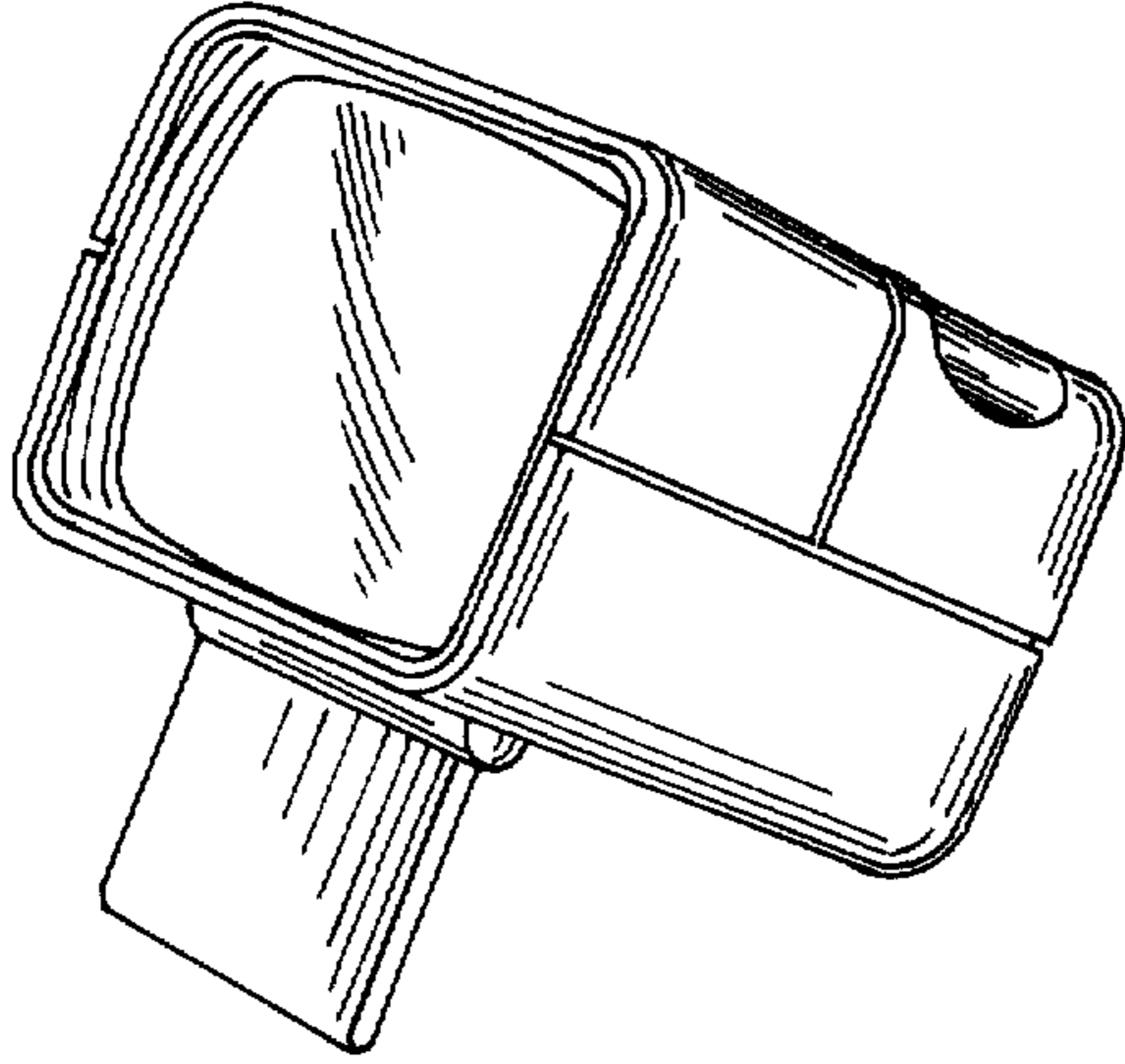


FIG. 2.

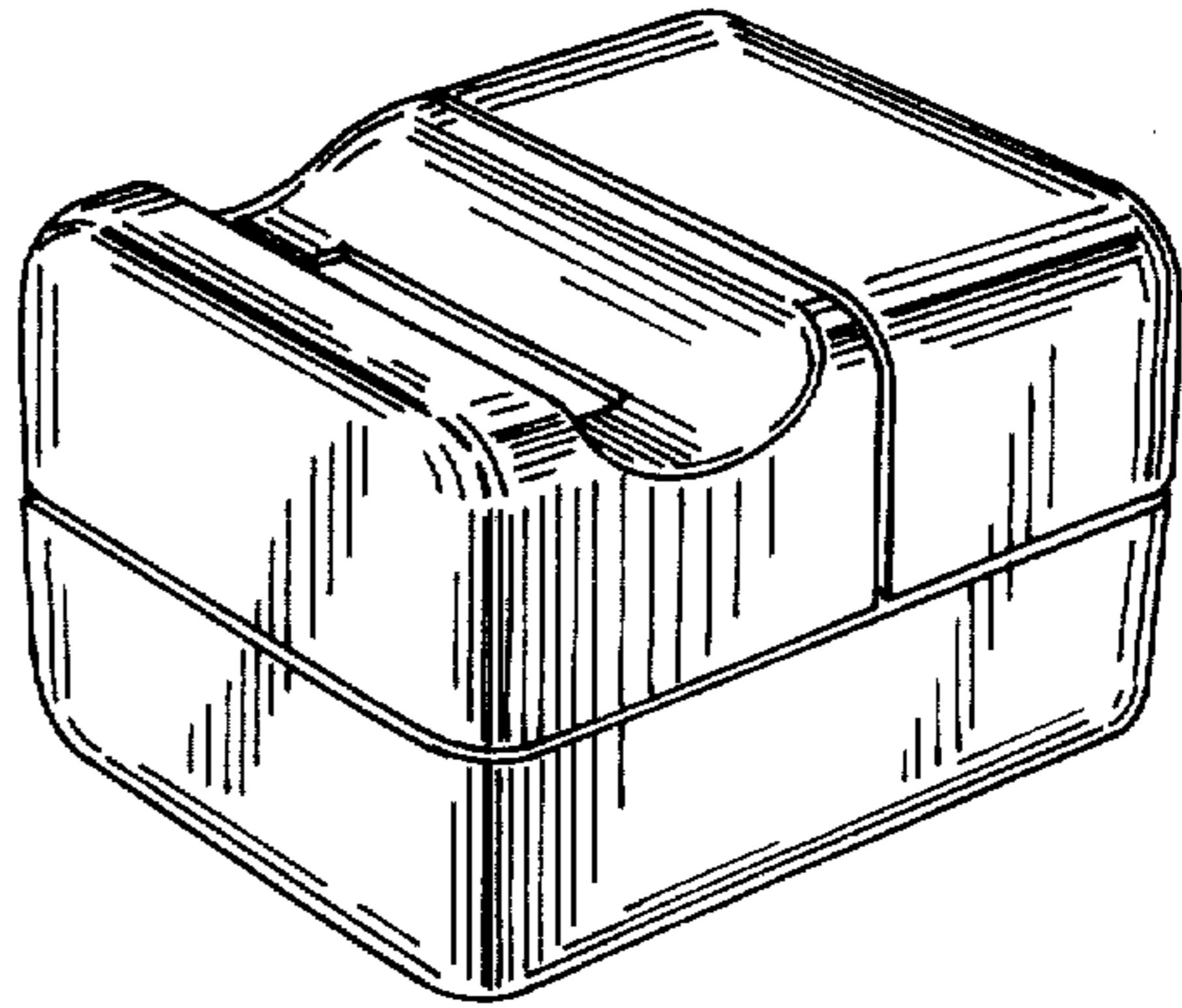


FIG. 3.

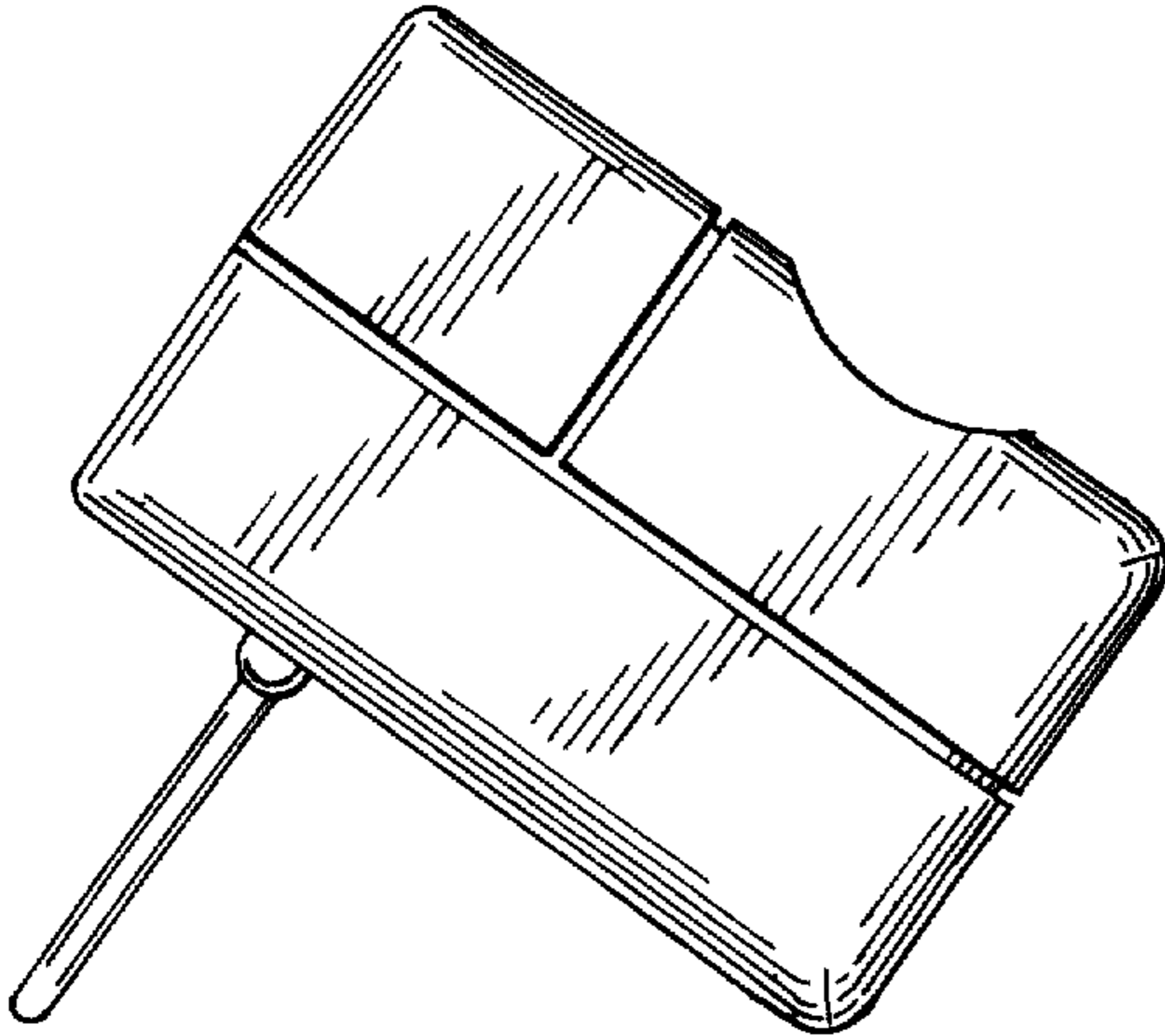


FIG. 4.

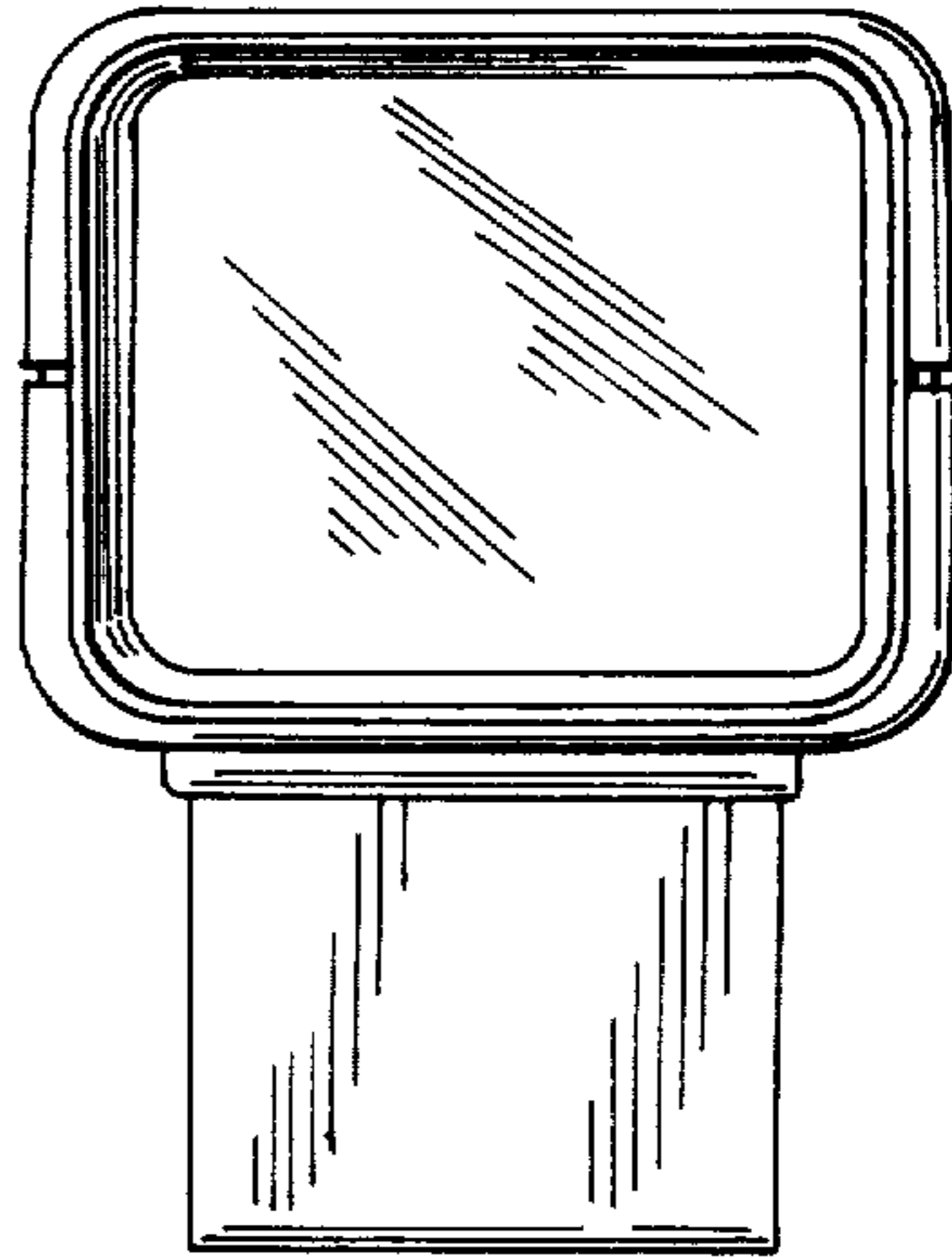


FIG. 5.

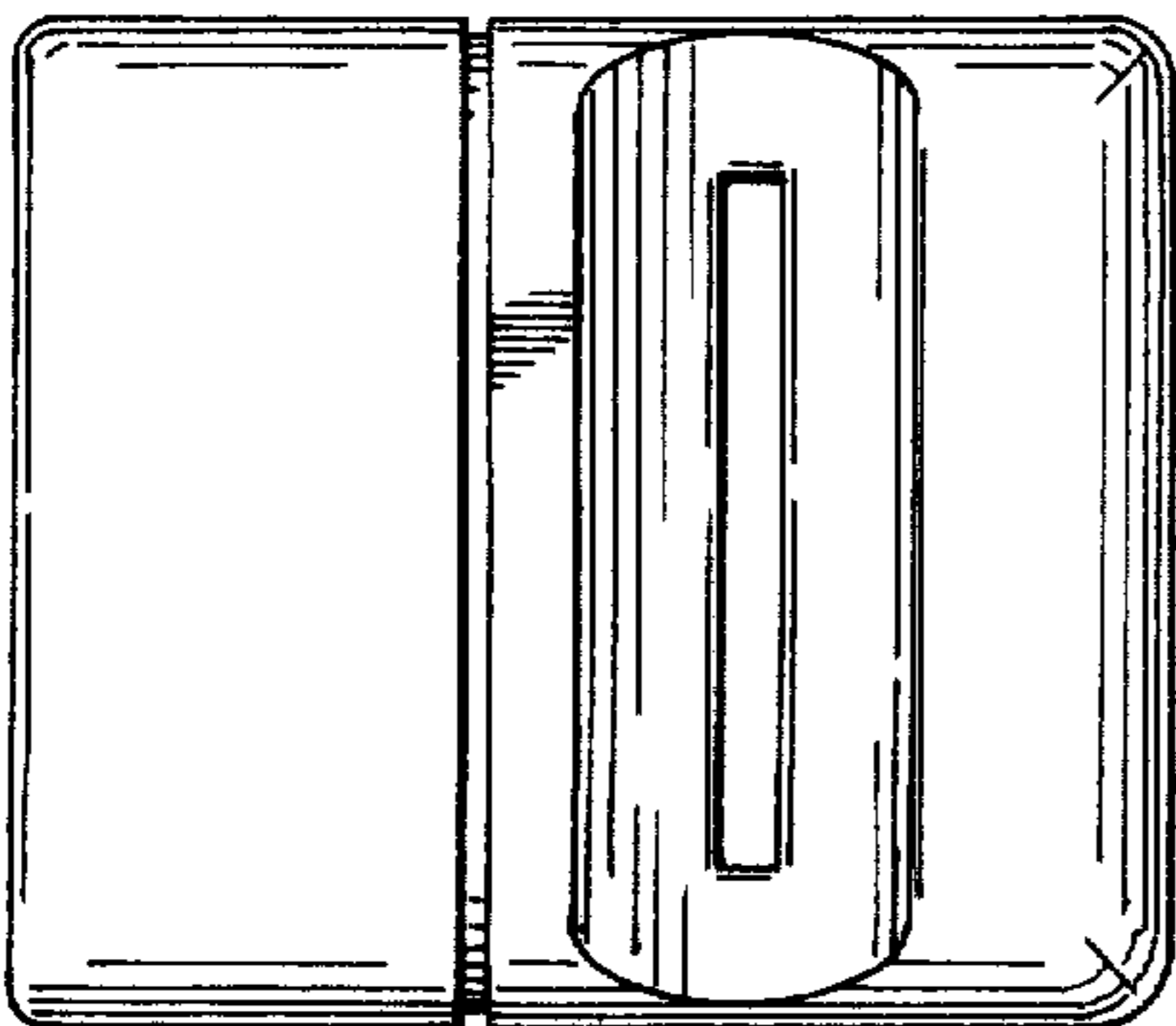


FIG. 6.

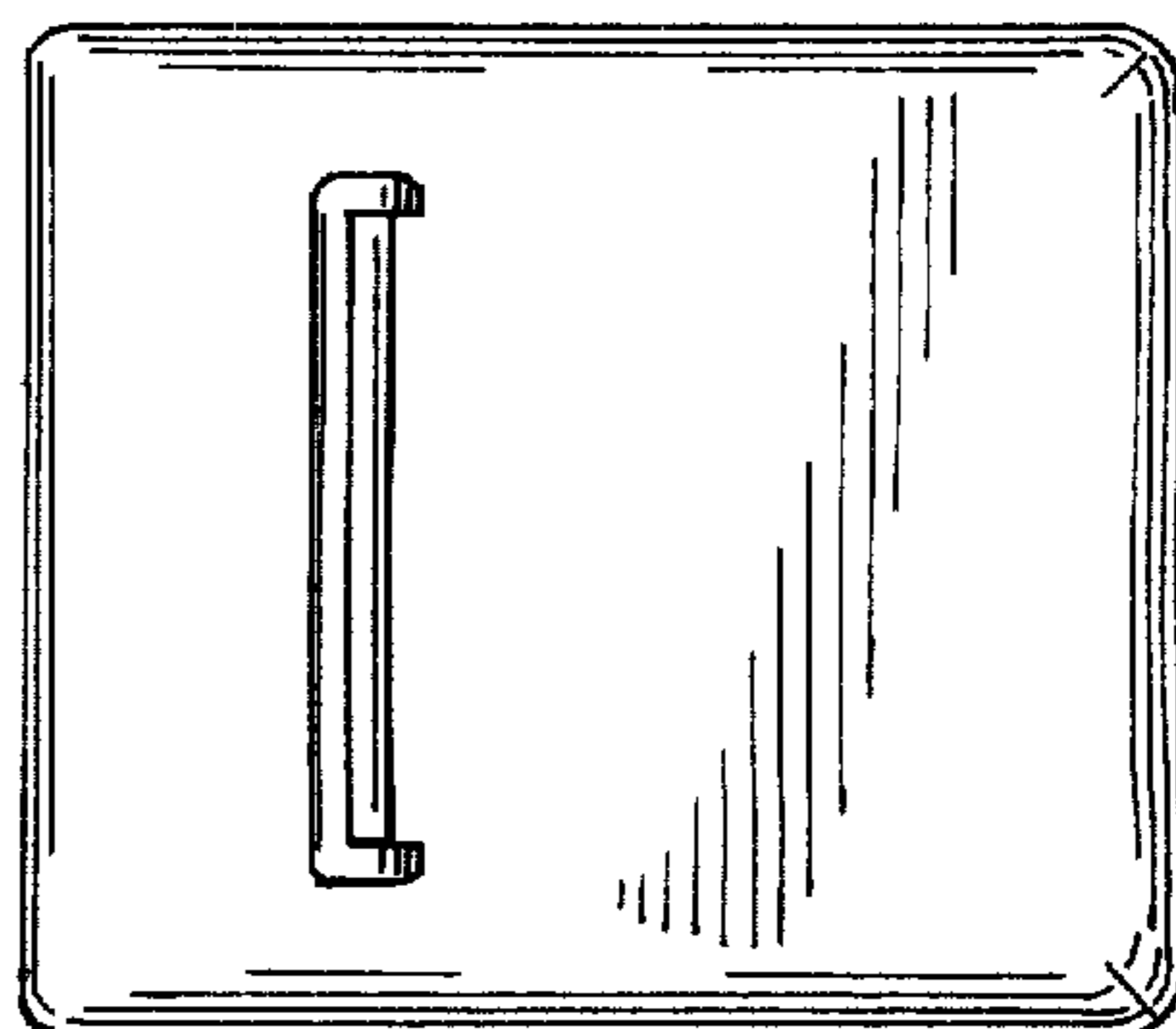


FIG-7-

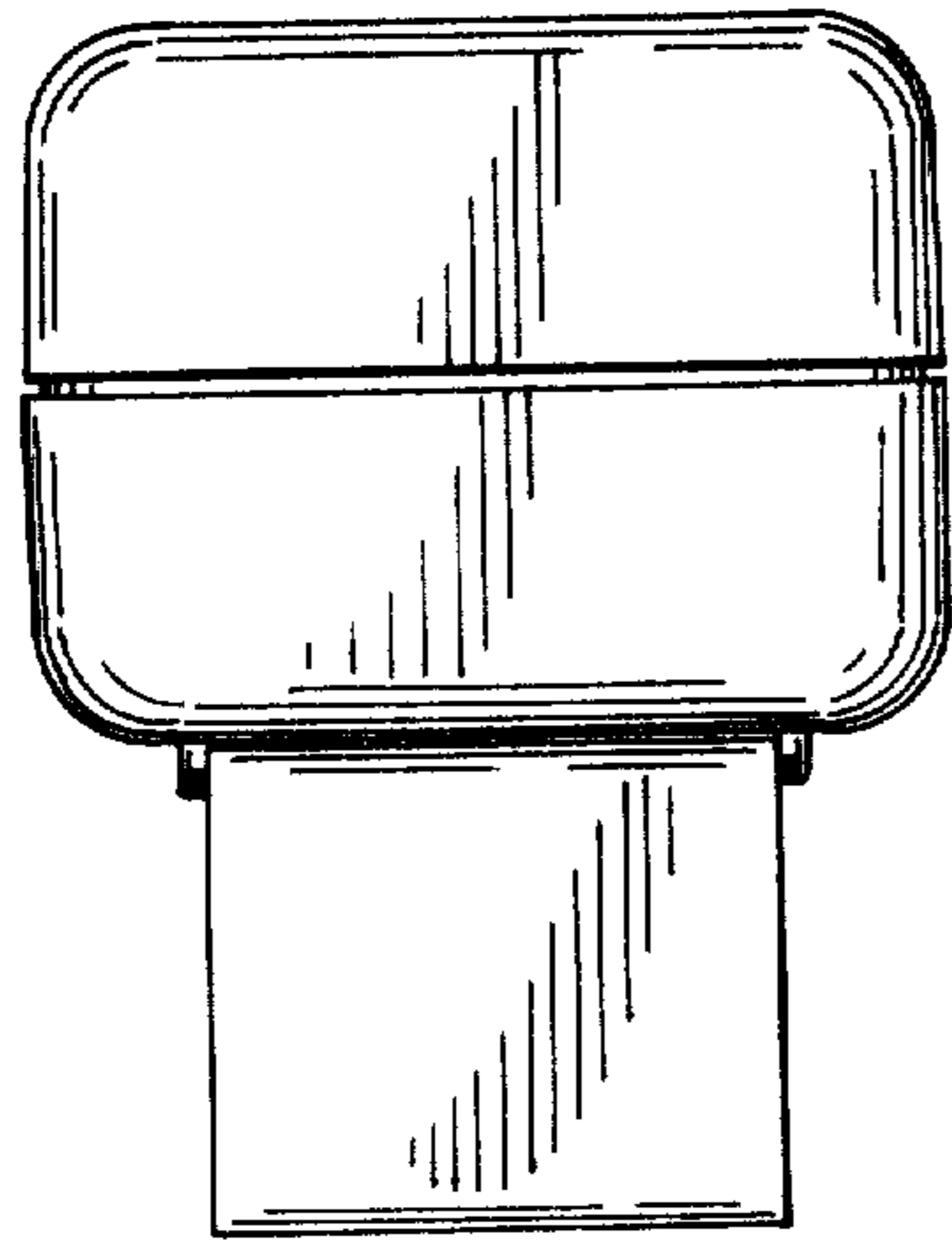


FIG-8-

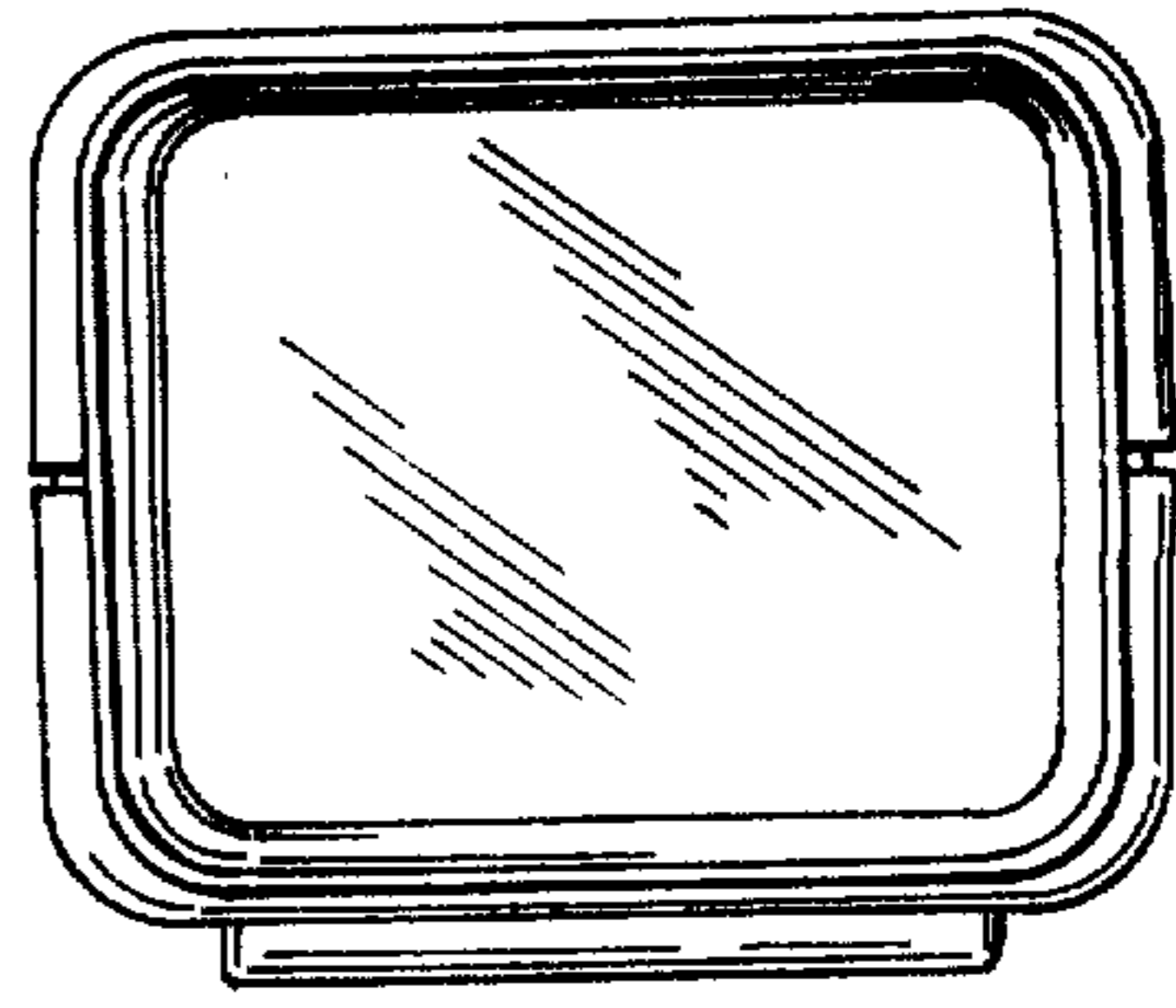


FIG-9-

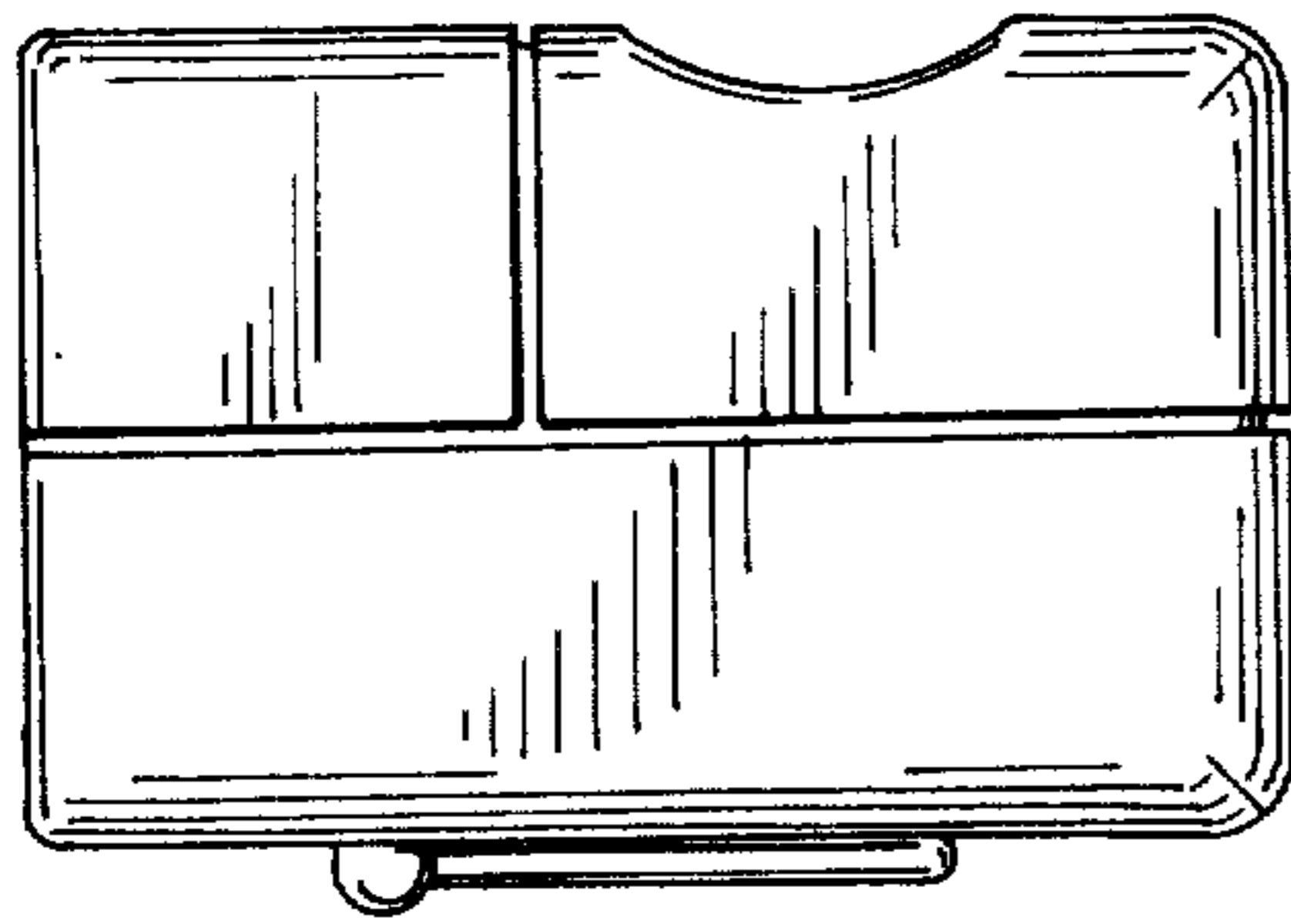


FIG-10-

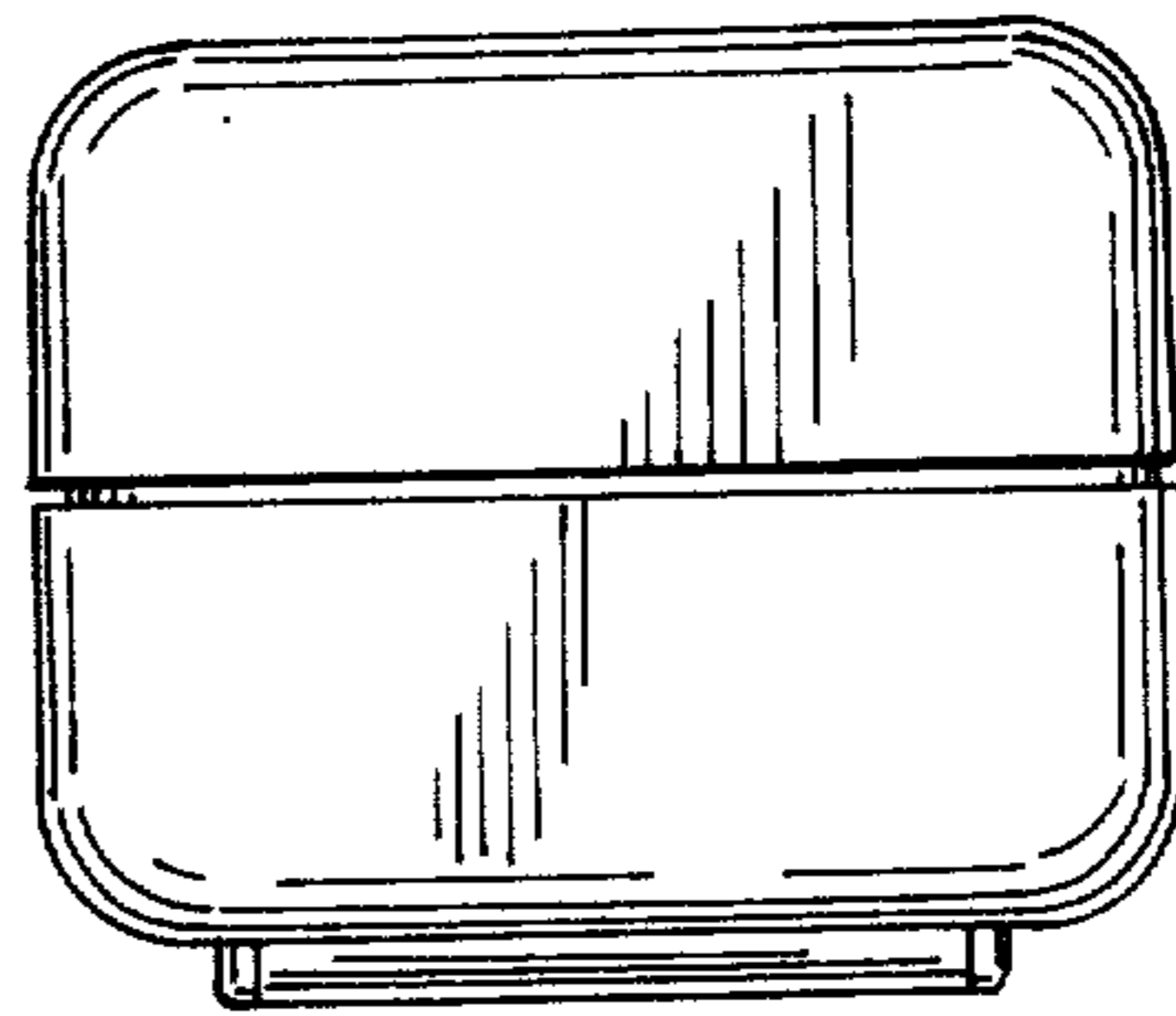


FIG-11-

