

[54] MIRROR STEREOSCOPE  
 [76] Inventor: Francesco Smargiassi, 21 Greenshields St., Albany, Western Australia, Australia  
 [\*\*] Term: 14 Years  
 [21] Appl. No.: 161,283  
 [22] Filed: Jun. 20, 1980  
 [51] Int. Cl. .... D16-99  
 [52] U.S. Cl. .... D16/12  
 [58] Field of Search ..... D16/12; 350/133, 140; 354/117

2,246,604 6/1941 Smith ..... 350/140 X  
 2,951,417 9/1960 Reeder ..... 350/133 X  
 3,005,378 10/1961 Golden ..... D16/12 X  
 3,187,625 6/1965 Howell ..... D16/12 X

Primary Examiner—Nelson C. Holtje  
 Attorney, Agent, or Firm—Harness, Dickey & Pierce

[57] CLAIM

The ornamental design for a mirror stereoscope, substantially as shown and described.

DESCRIPTION

FIG. 1 is a top plan view of a mirror stereoscope showing my new design;  
 FIG. 2 is a front elevational view thereof;  
 FIG. 3 is a front elevational view thereof in the folded position;  
 FIG. 4 is a top-front perspective view thereof;  
 FIG. 5 is a top and left front perspective view thereof;  
 FIG. 6 is a bottom plan view of FIG. 3.

[56] References Cited  
 U.S. PATENT DOCUMENTS  
 D. 124,240 12/1940 Ryker ..... D16/12  
 D. 207,508 4/1967 Hubbard ..... D16/12  
 2,225,602 12/1940 Ryker ..... D16/12 X

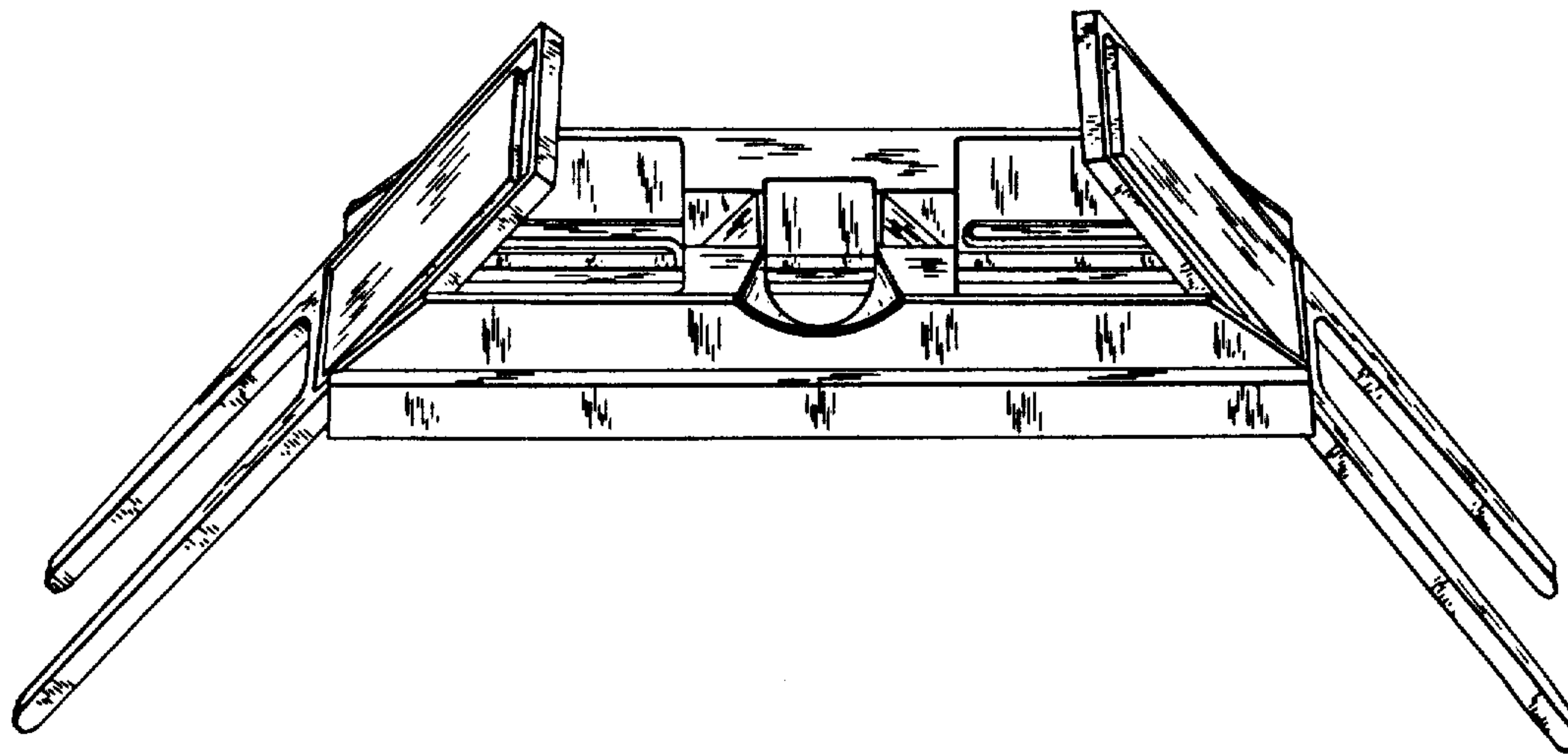


FIG. 1.

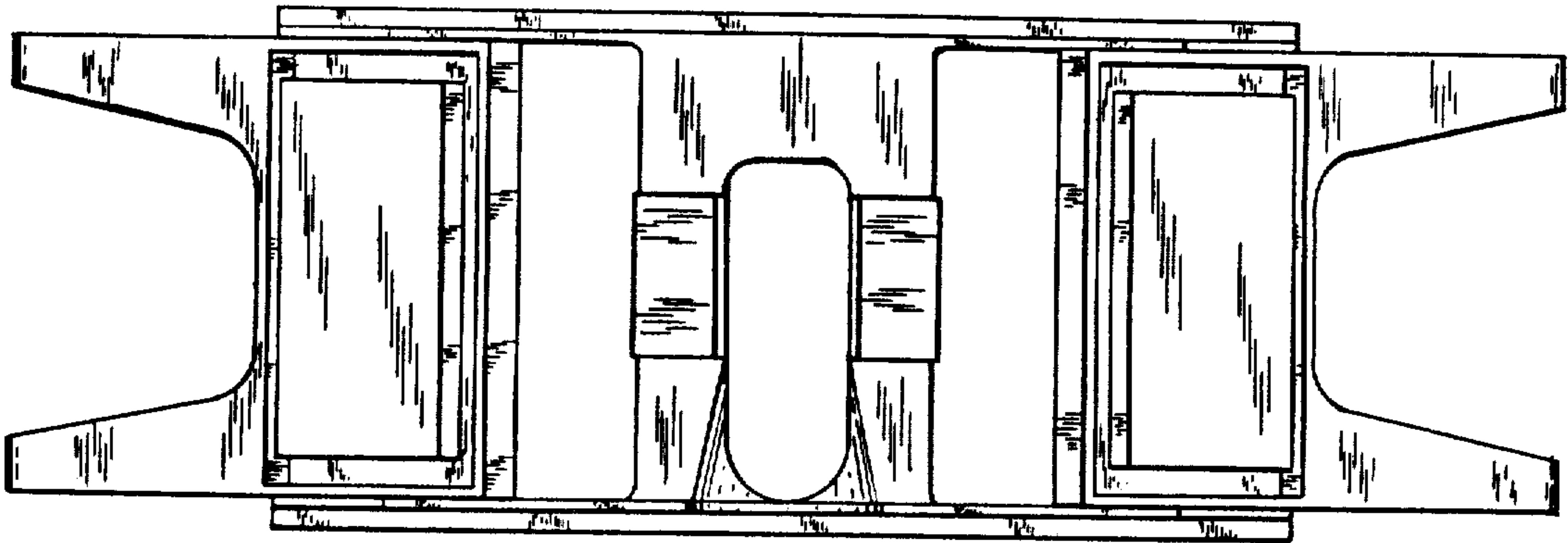


FIG. 2.

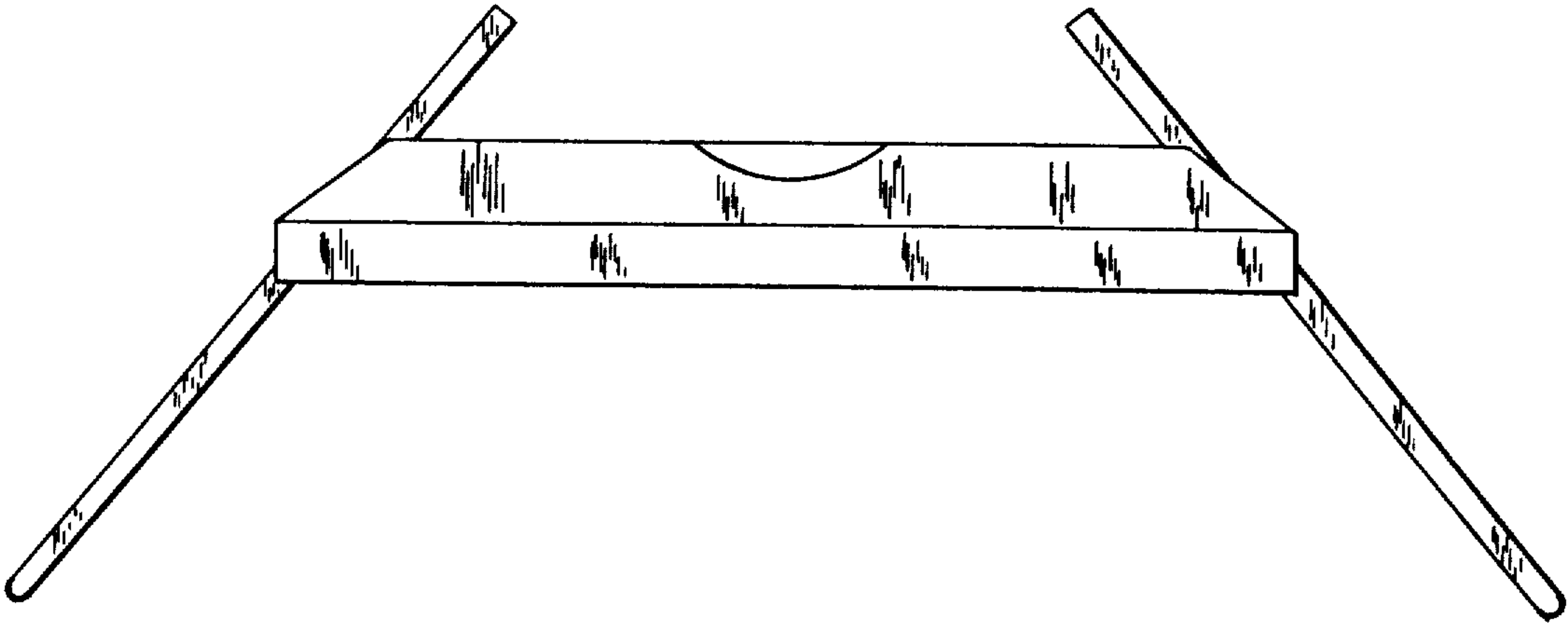


FIG. 3.



FIG. 4.

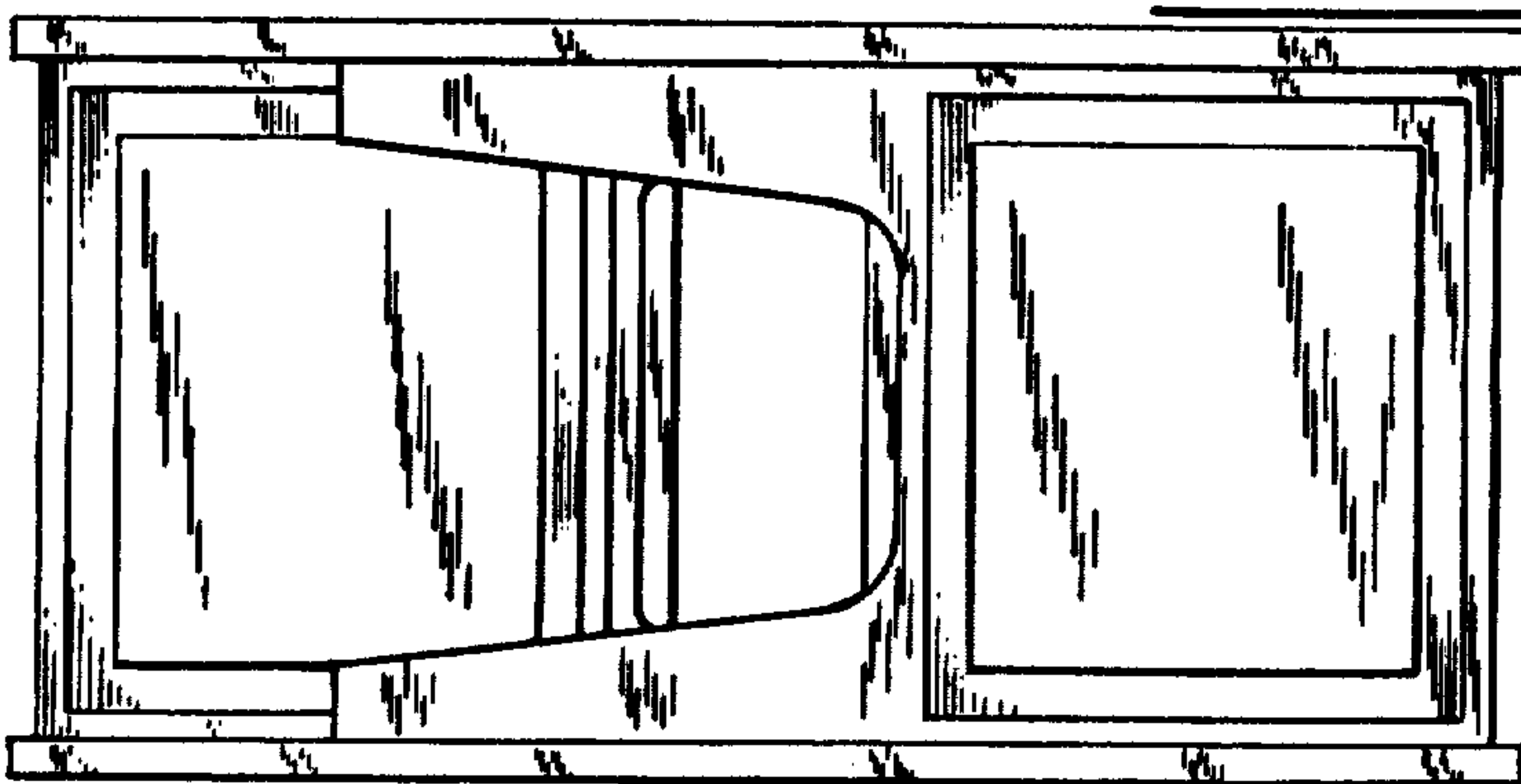


FIG. 4.

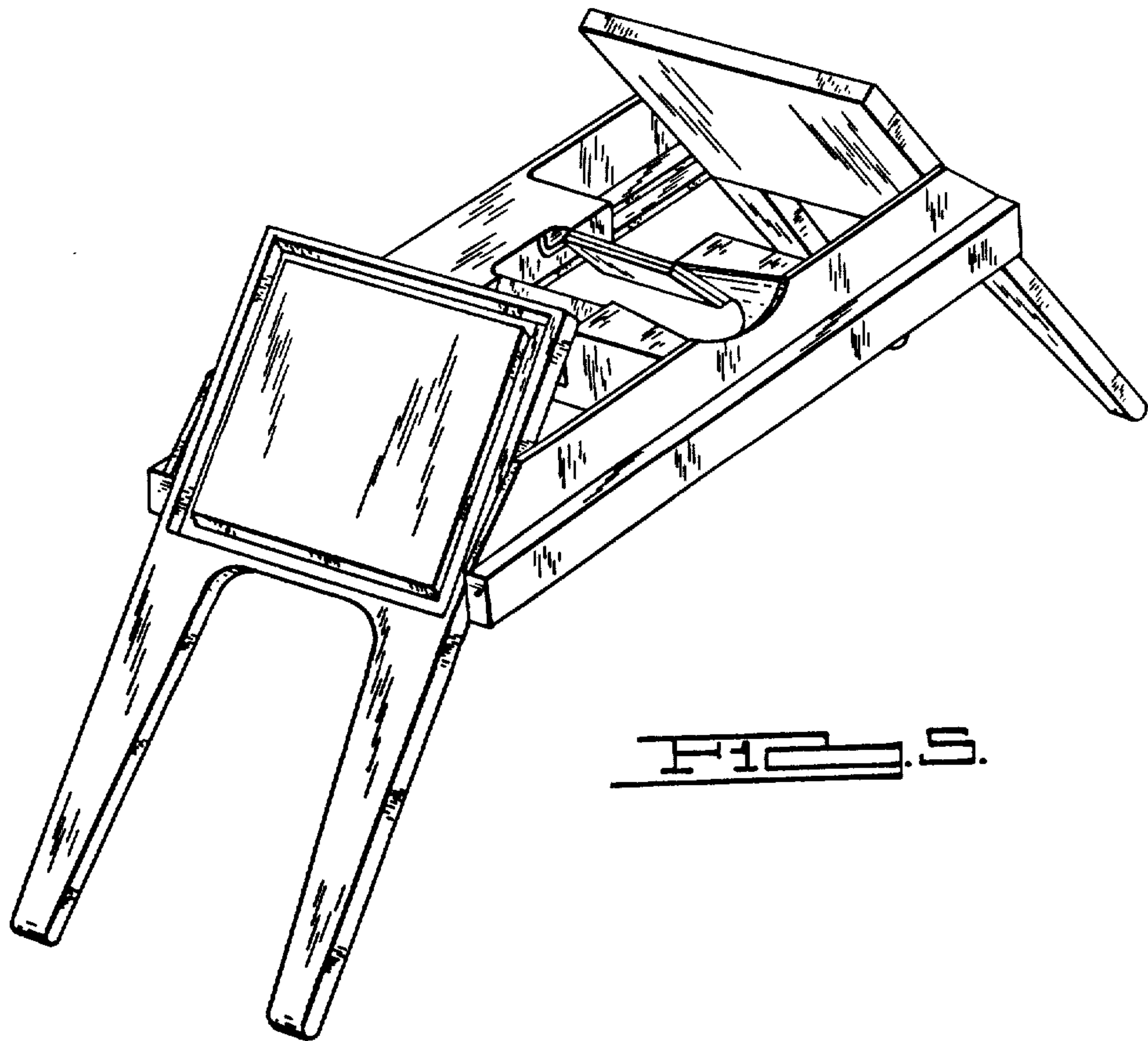
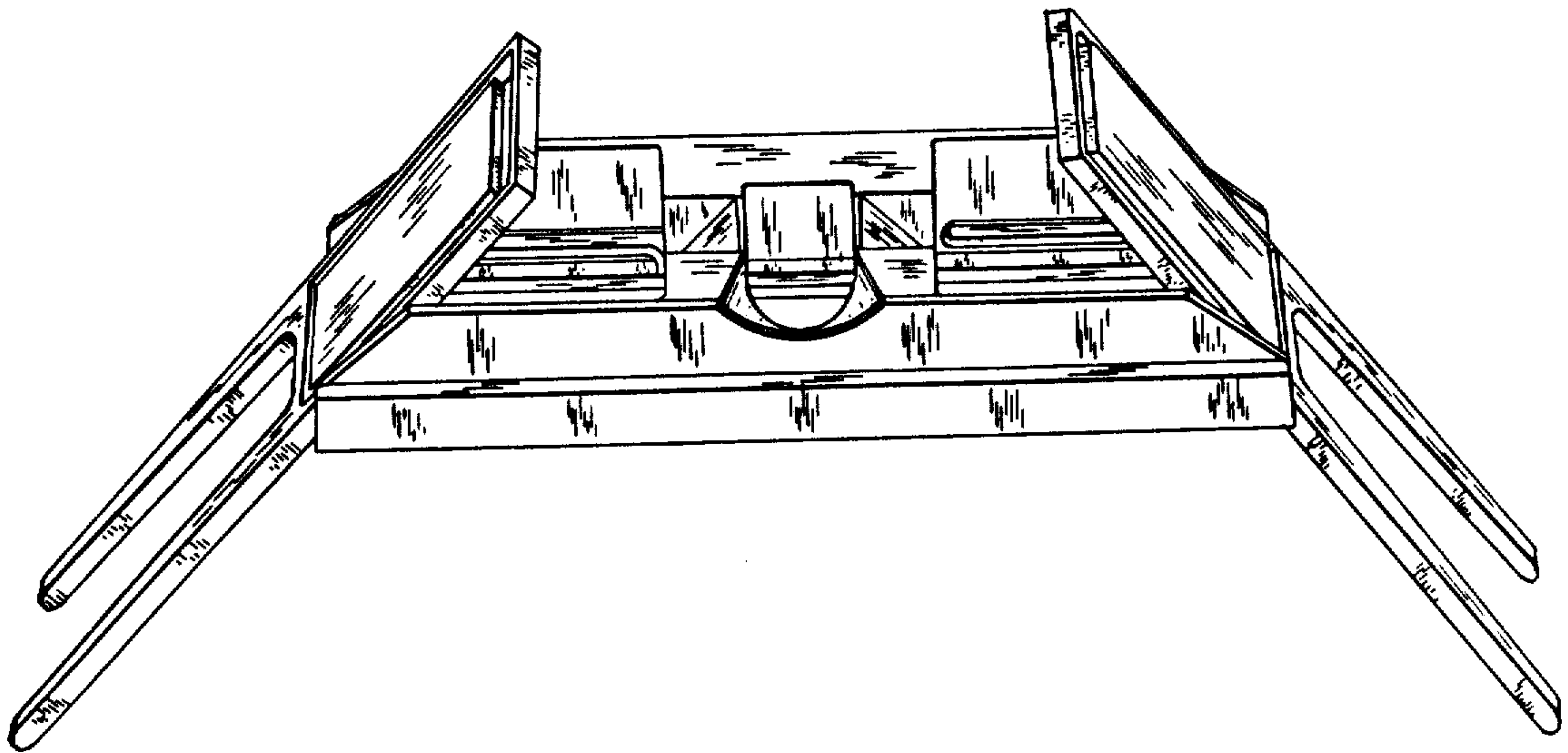


FIG. 5.