

[54] **BALER**

[75] Inventors: **Edward L. Swenson, Hesston; Allen K. Roth, Whitewater; Larry B. Jones, Anthony; Richard J. Robbins, Derby, all of Kans.**

[73] Assignee: **Hesston Corporation, Hesston, Kans.**

[\*\*] Term: **14 Years**

[21] Appl. No.: **196,354**

[22] Filed: **Oct. 14, 1980**

[51] Int. Cl. .... **D15-03**

[52] U.S. Cl. .... **D15/27**

[58] Field of Search ..... **414/24.5; 56/341, 16.4; D15/26, 27**

[56]

**References Cited**

**U.S. PATENT DOCUMENTS**

- D. 238,501 1/1976 Gaeddert et al. .... D15/27
- D. 242,572 11/1976 Grist et al. .... D15/27
- 3,913,473 10/1975 Meiers ..... D15/27 X

*Primary Examiner—A. Hugo Word*  
*Attorney, Agent, or Firm—Schmidt, Johnson, Hovey & Williams*

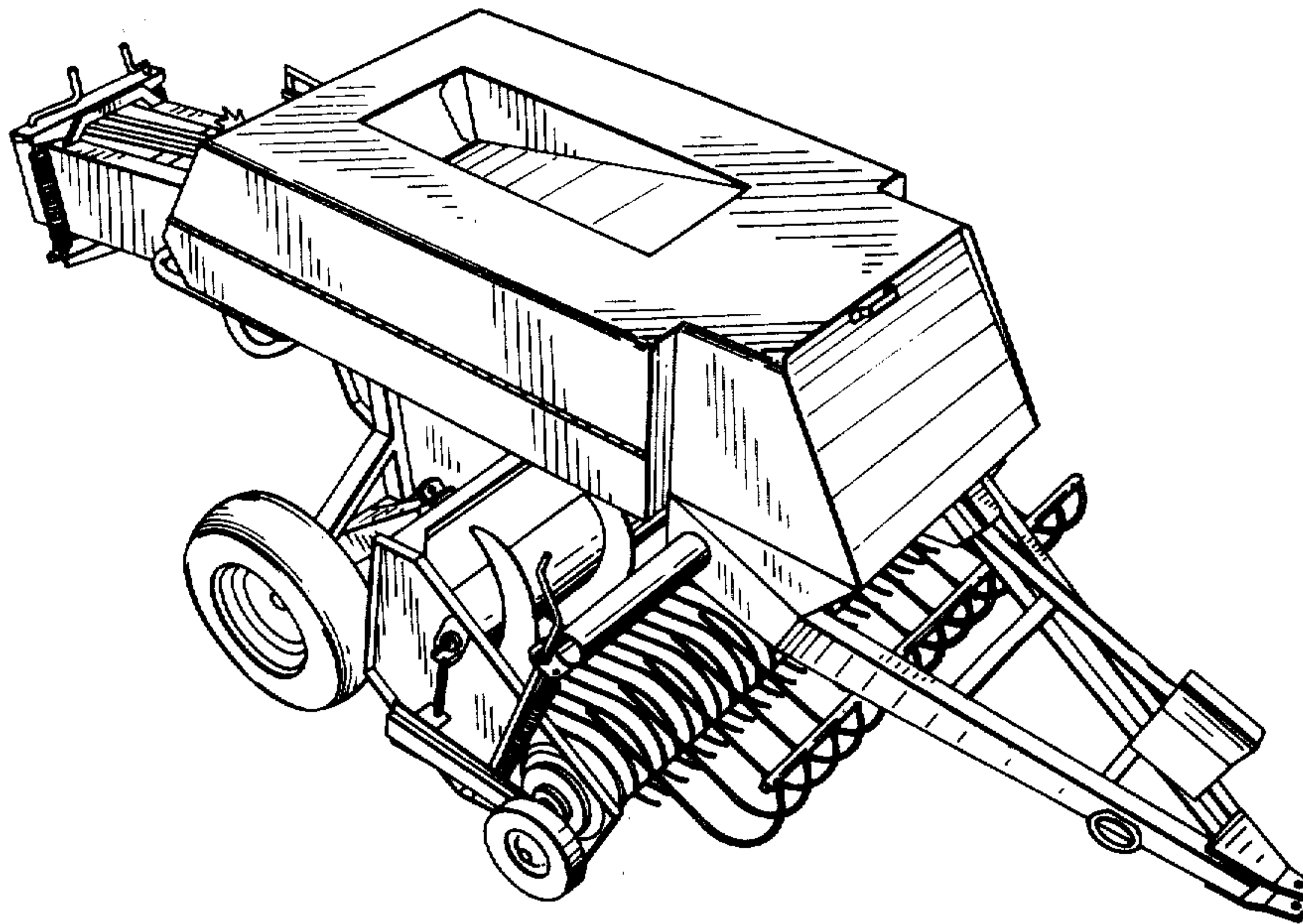
[57]

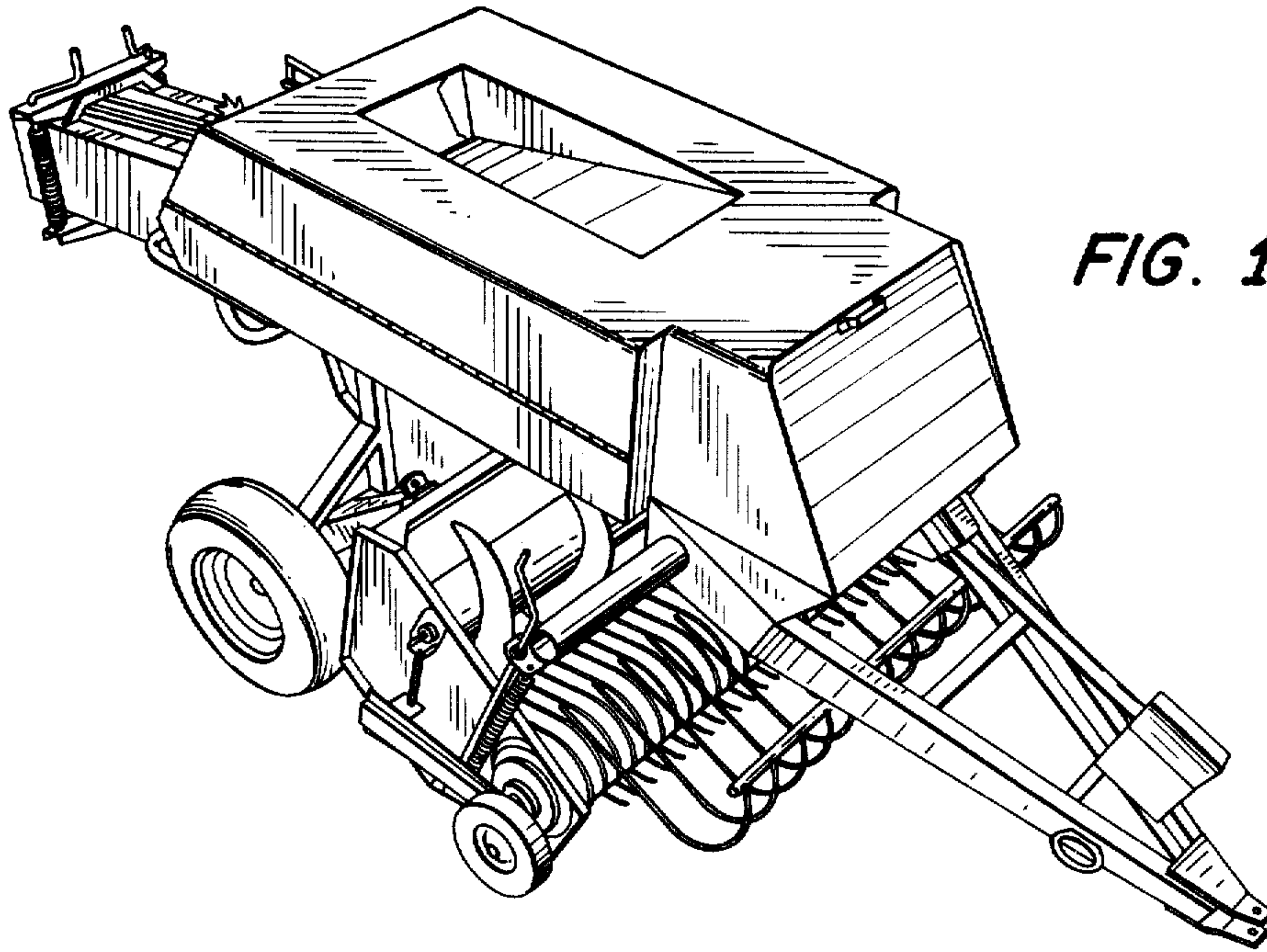
**CLAIM**

The ornamental design for a baler, as shown.

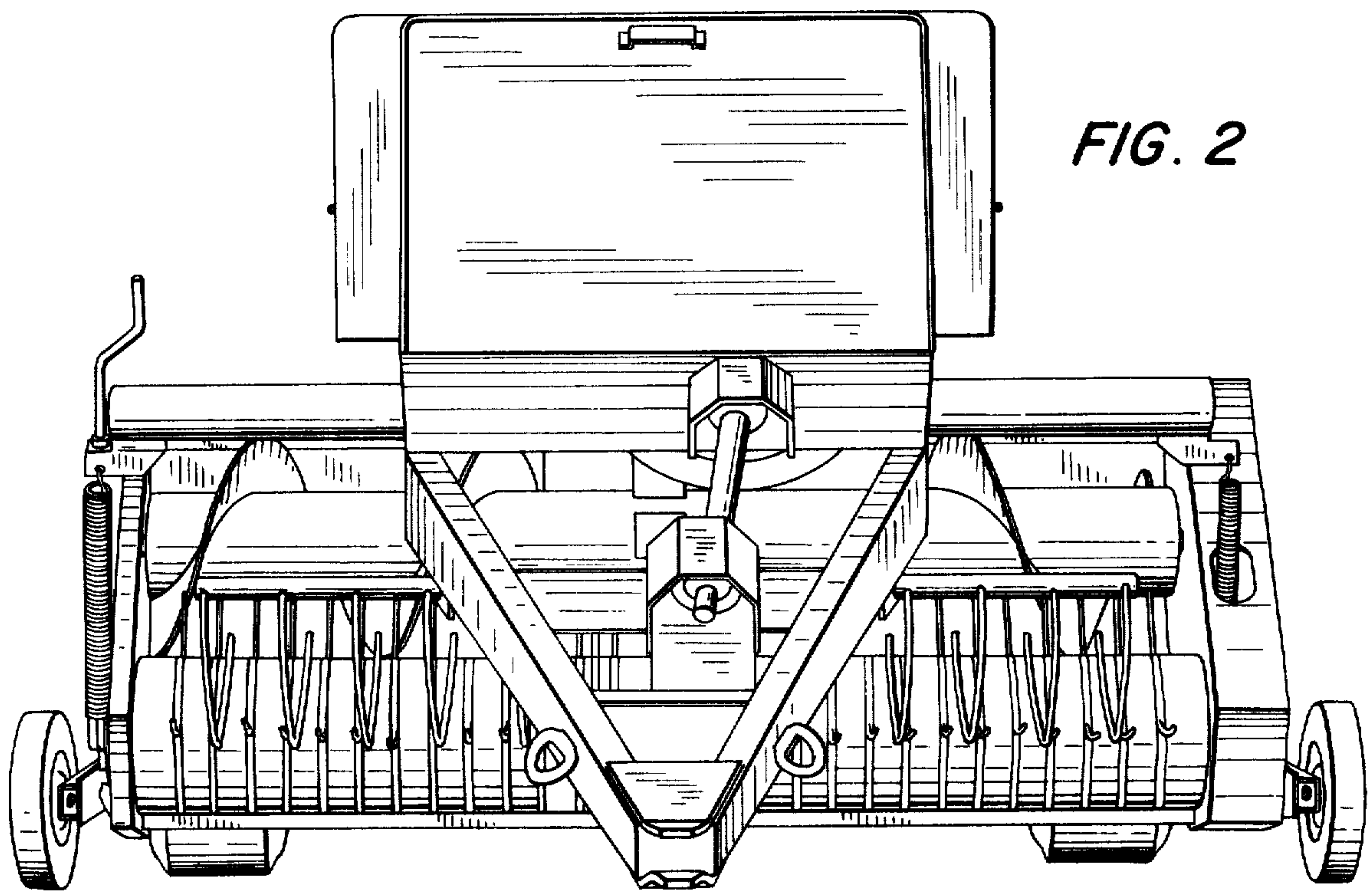
**DESCRIPTION**

FIG. 1 is a top left front perspective view of the baler embodying the present invention;  
FIG. 2 is an enlarged, front elevational view thereof;  
FIG. 3 is a left side elevational view thereof;  
FIG. 4 is a right side elevational view thereof; and  
FIG. 5 is an enlarged rear elevational view thereof.

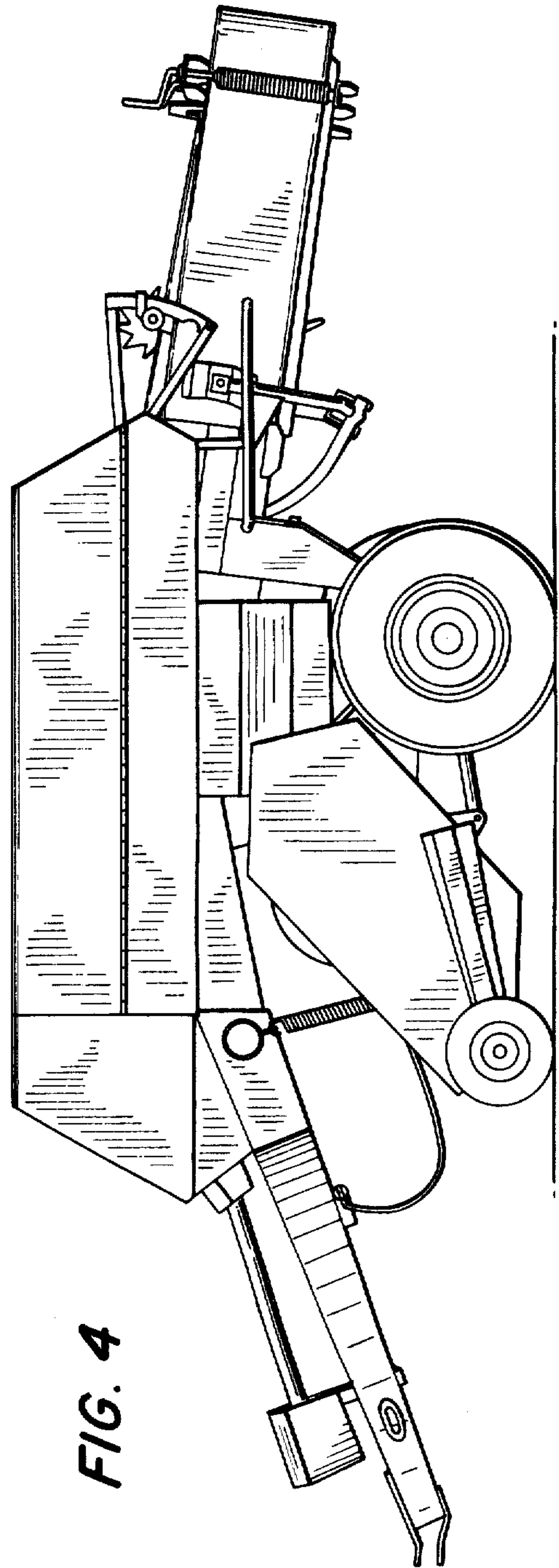
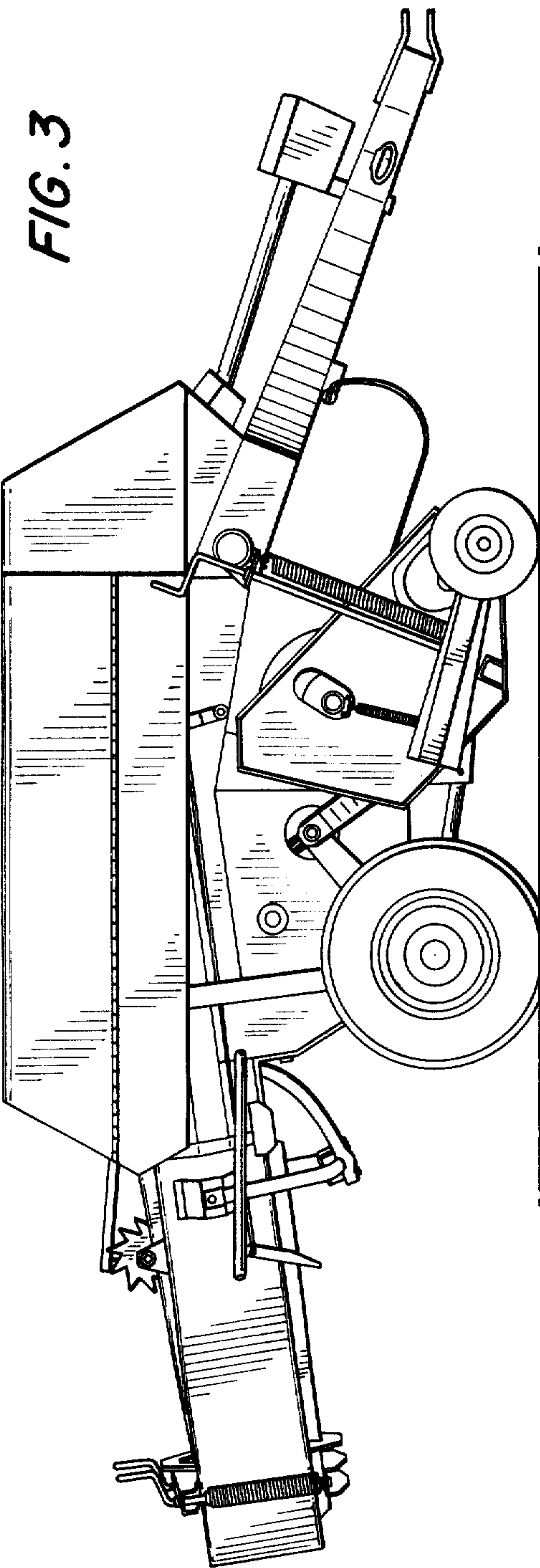




*FIG. 1*



*FIG. 2*





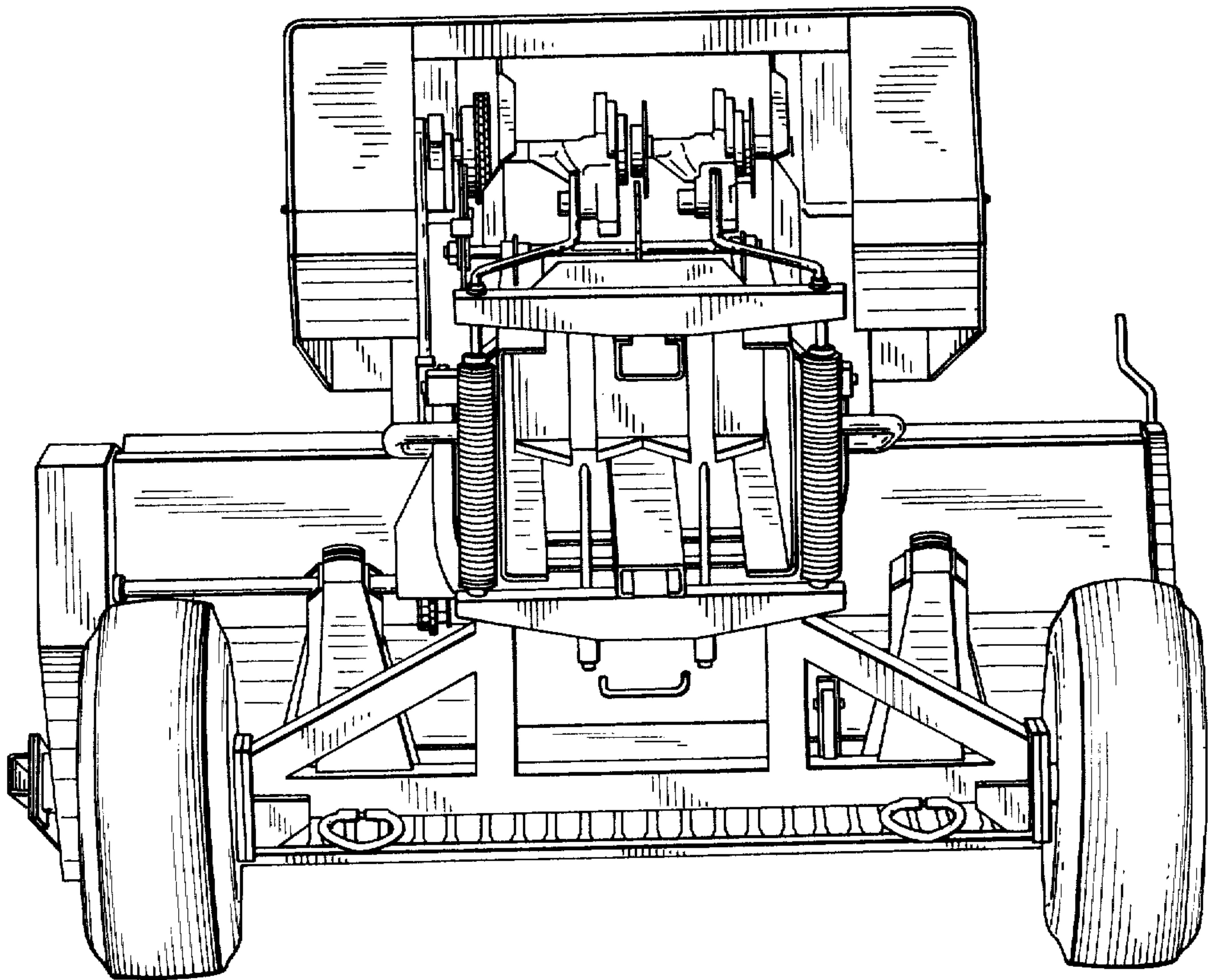


FIG. 5