

[54] VIDEO CAMERA WITH VIDEO TAPE RECORDER

[75] Inventor: Toshio Ohya, Tokyo, Japan

[73] Assignee: Sony Corporation, Tokyo, Japan

[\*\*] Term: 14 Years

[21] Appl. No.: 205,307

[22] Filed: Nov. 10, 1980

[30] Foreign Application Priority Data

Jun. 12, 1980 [JP] Japan ..... 55-023426

[51] Int. Cl. .... D14-03

[52] U.S. Cl. .... D14/78; D16/4

[58] Field of Search ..... D14/78, 79; D16/3, 4; 352/34, 242, 243; 358/229

[56] References Cited

U.S. PATENT DOCUMENTS

- D. 211,416 6/1968 Bozarth ..... D14/78
- D. 217,788 6/1970 Fukuda ..... D16/3
- D. 223,410 4/1972 Larson ..... D14/78
- D. 224,448 7/1972 Fukuda ..... D16/3
- D. 232,483 8/1974 Fukuda ..... D16/3

- D. 234,095 1/1975 Hansen ..... D16/4
- D. 244,933 7/1977 Yatabe ..... D16/4
- D. 255,241 6/1980 Ellermeier ..... D14/78
- D. 260,894 9/1981 Ellermeier ..... D14/78

OTHER PUBLICATIONS

*Fujica Single 8 ZC-1000 Flyer-4/78*-front cover-M.P. Camera.

Primary Examiner—Nelson C. Holtje  
Attorney, Agent, or Firm—Lewis H. Eslinger; Alvin Sinderbrand

[57] CLAIM

The ornamental design for a video camera with video tape recorder, as shown and described.

DESCRIPTION

FIG. 1 is a top plan view of a video camera with video tape recorder showing my new design;  
 FIG. 2 is a left side elevational view thereof;  
 FIG. 3 is a front elevational view thereof with the lens cover in the closed position;  
 FIG. 4 is a right side elevational view thereof;  
 FIG. 5 is a rear elevational view thereof;  
 FIG. 6 is a bottom plan view thereof;  
 FIG. 7 is a right front perspective view thereof.

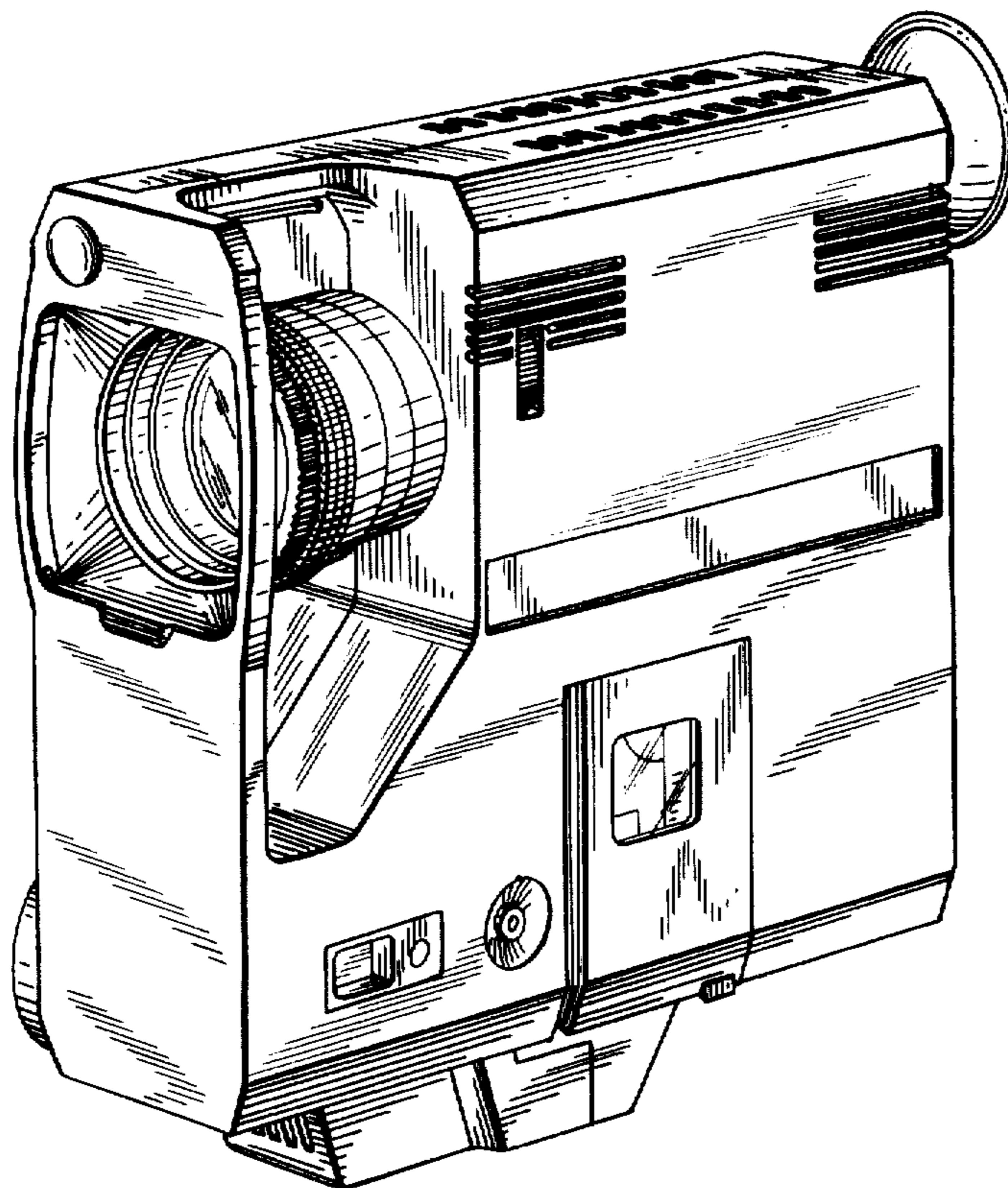


FIG. 1

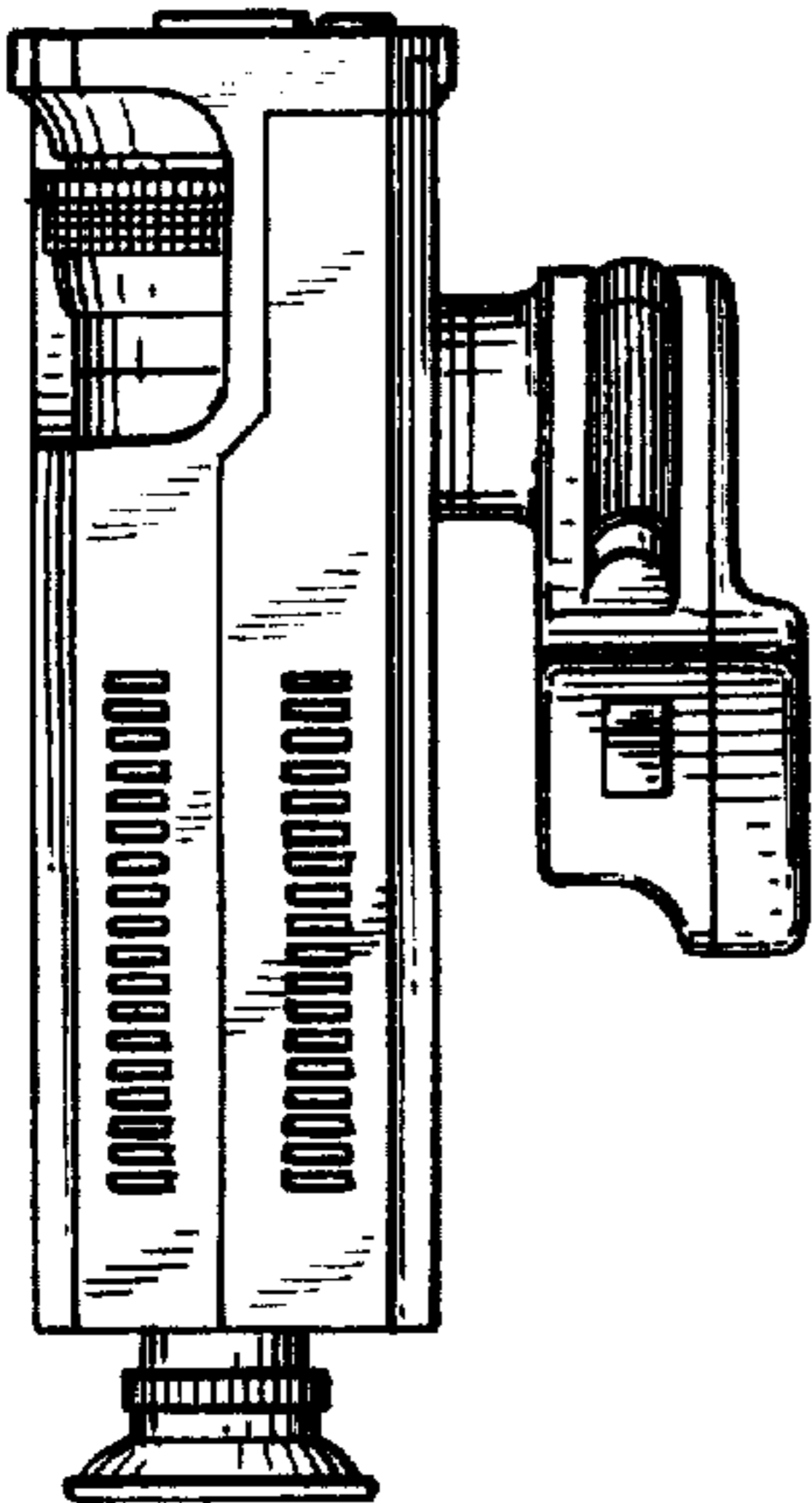


FIG. 3

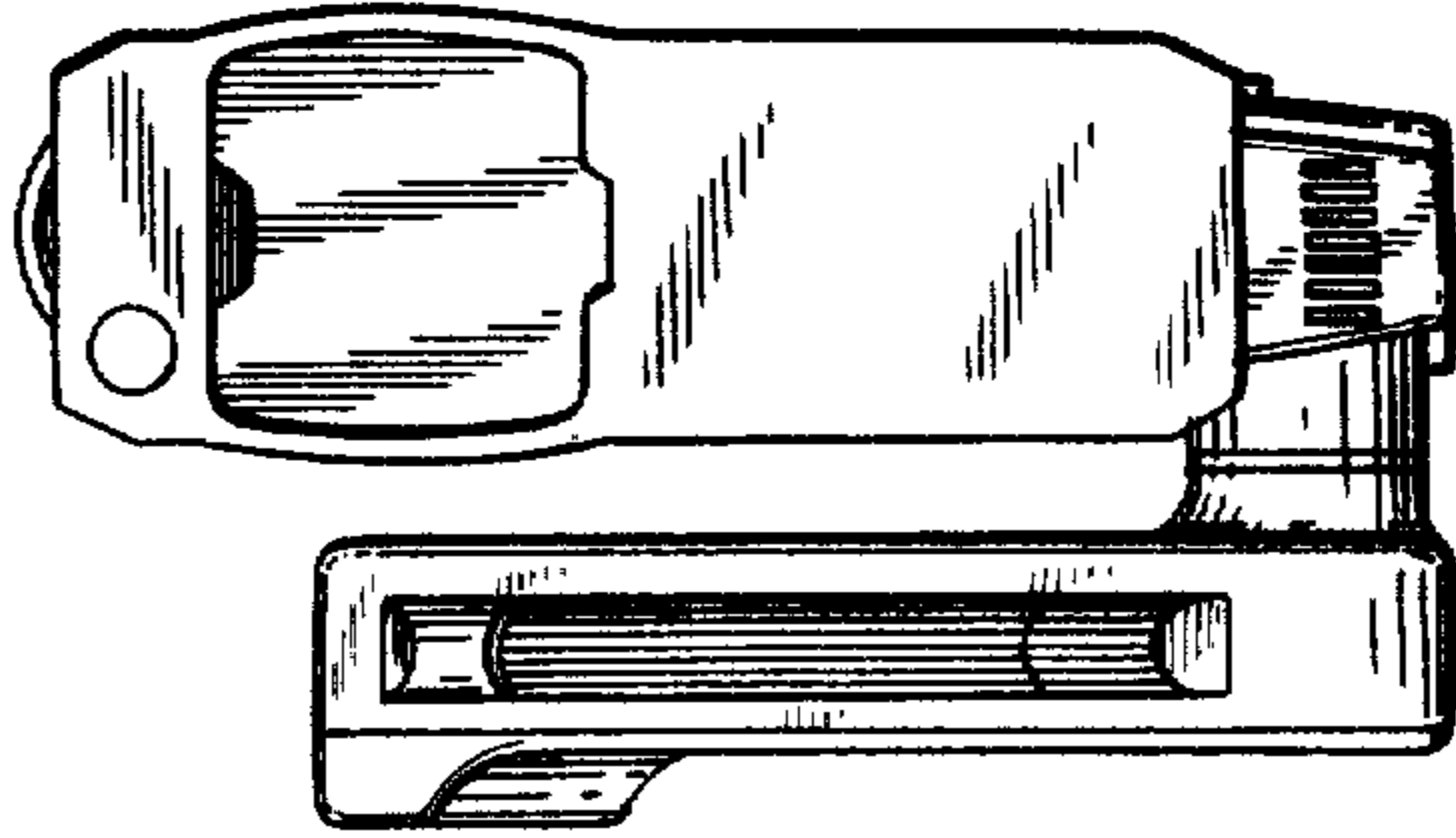


FIG. 2

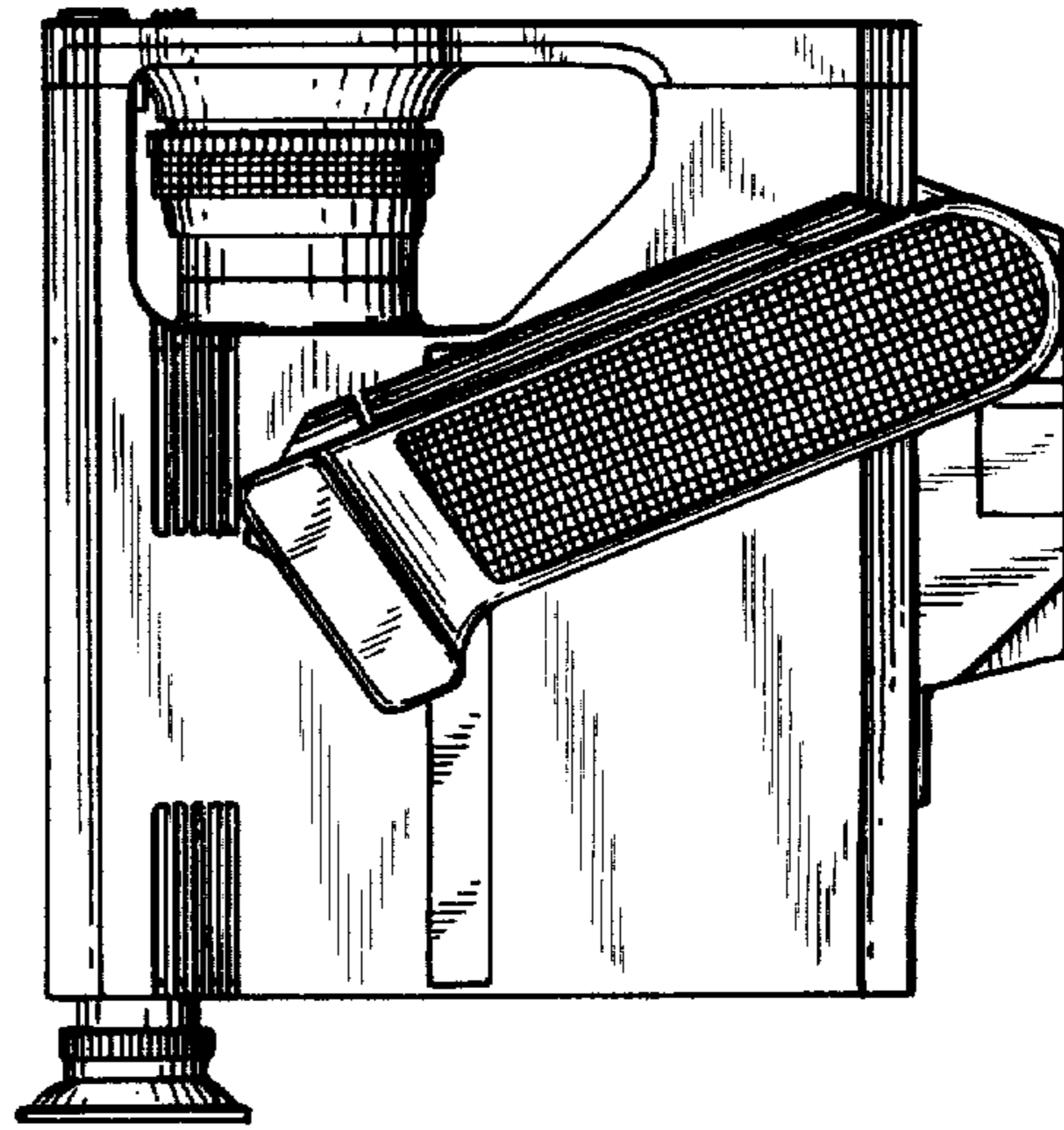


FIG. 5

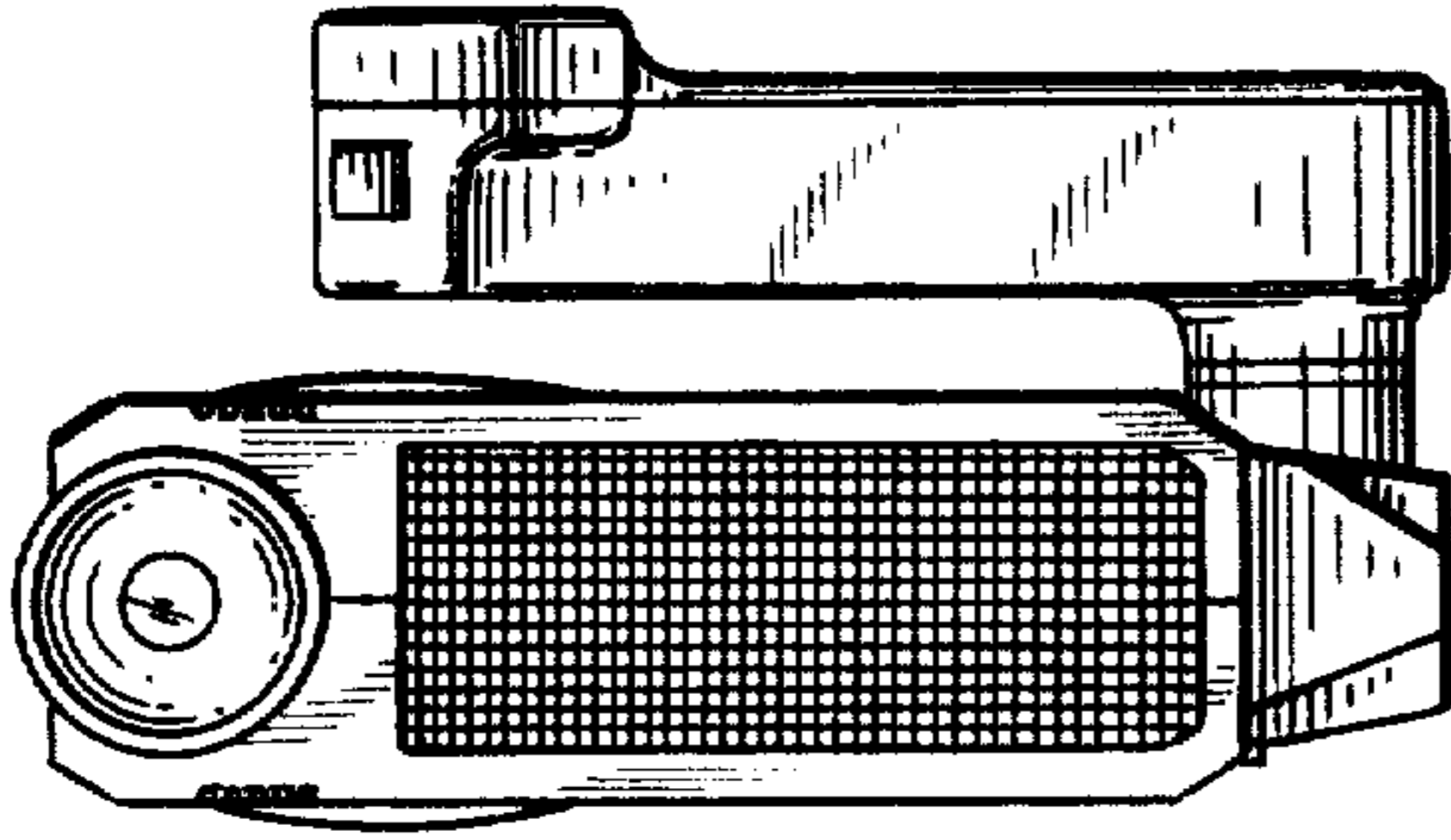


FIG. 4

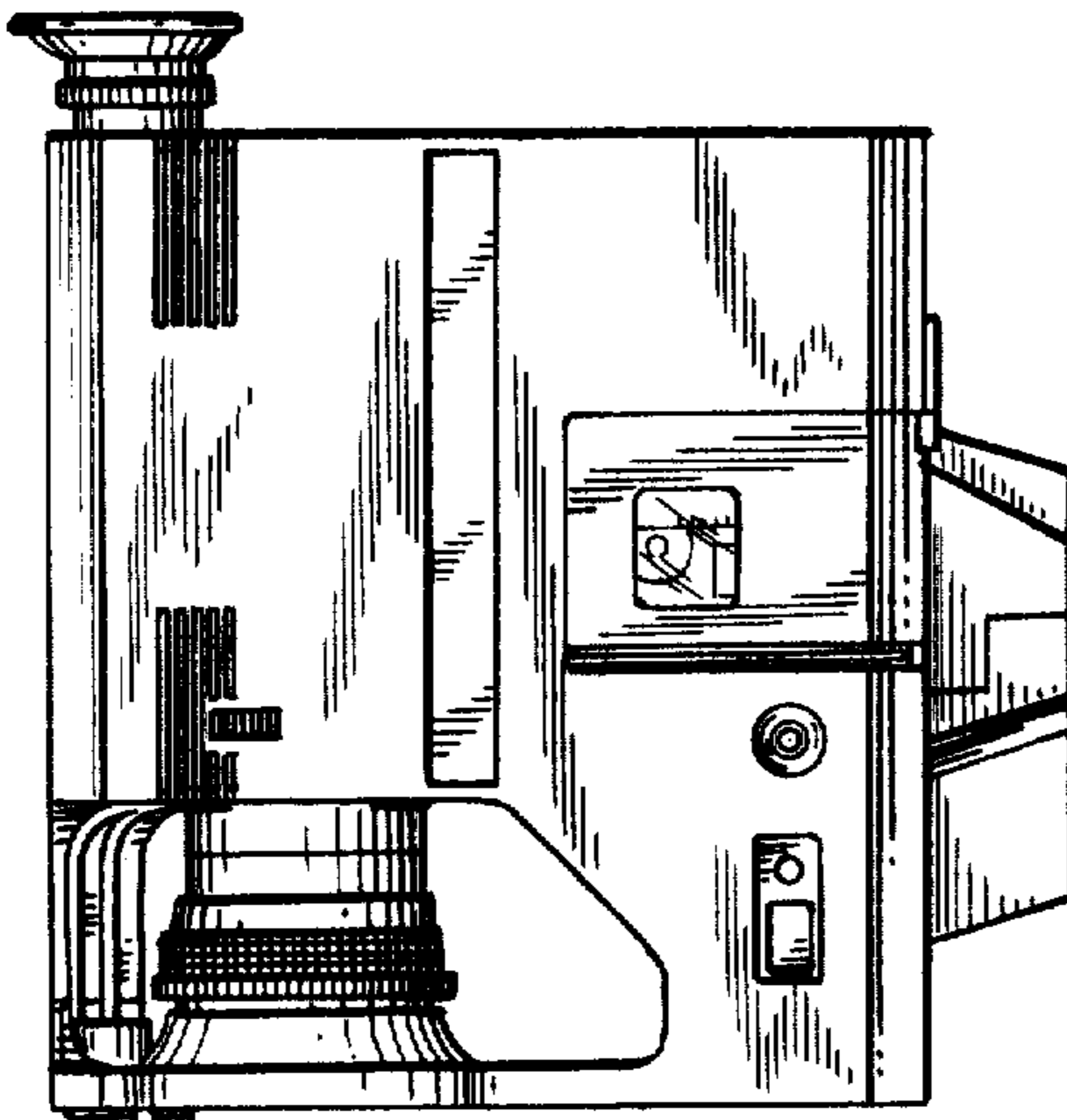
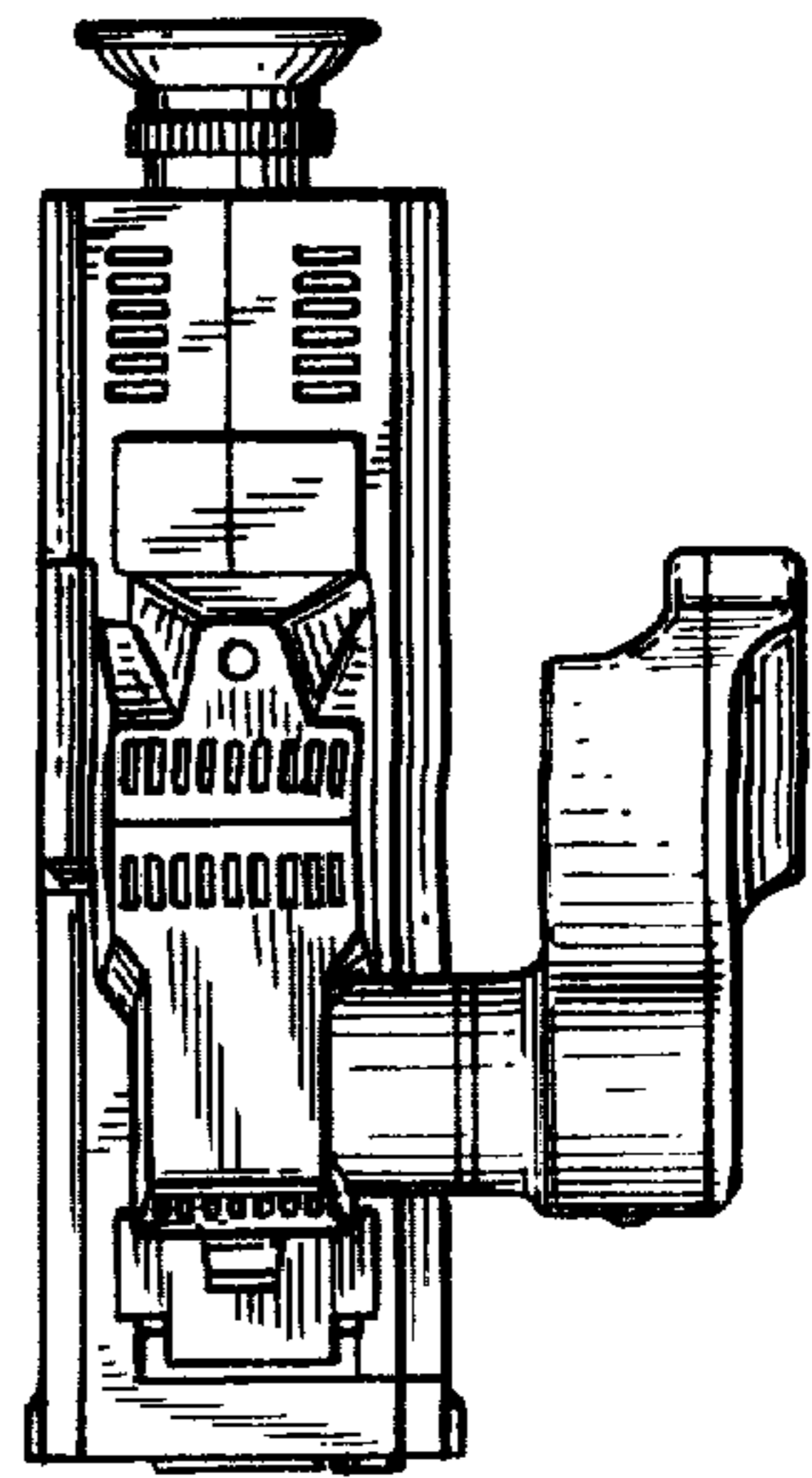


FIG. 6



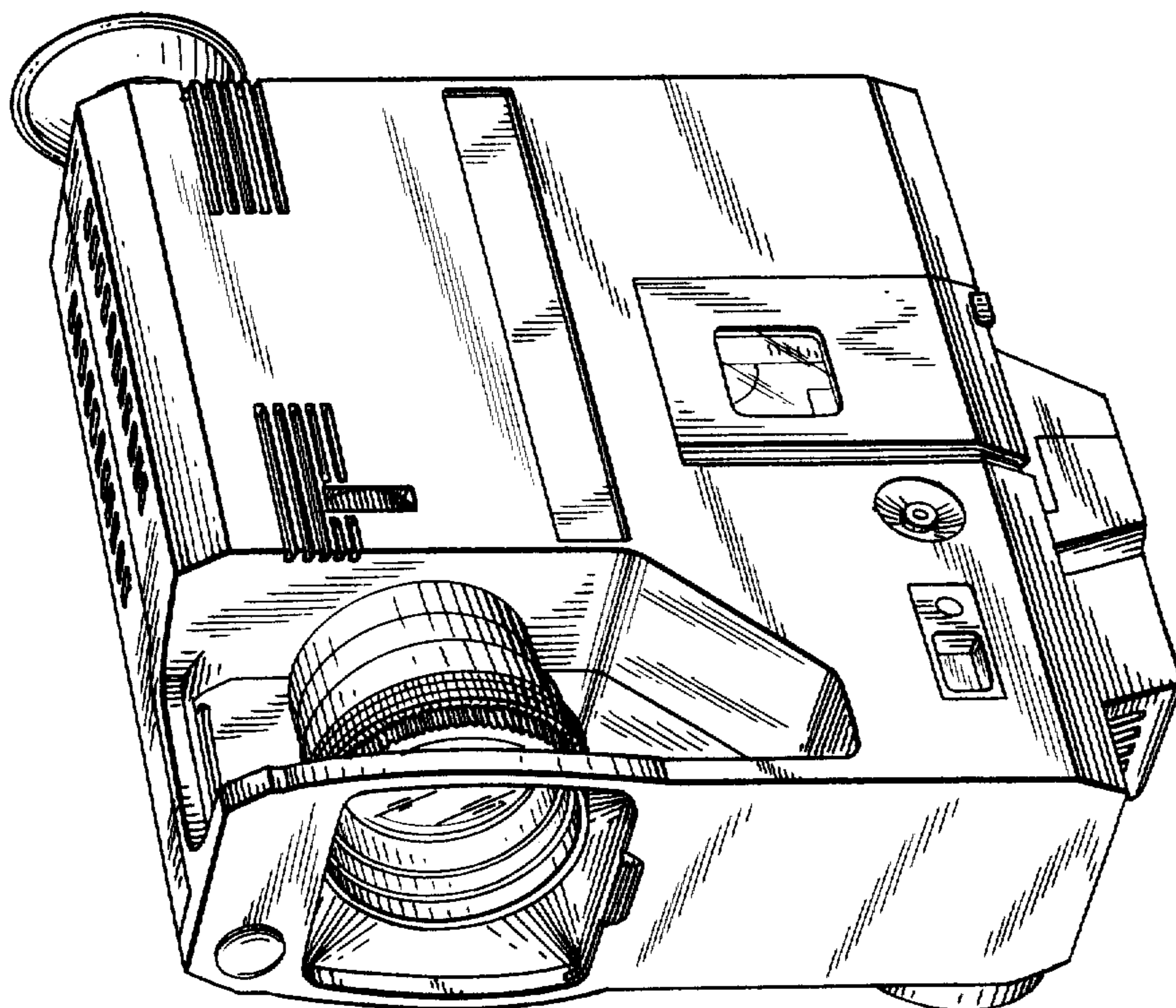


FIG. 7