

[54] ADAPTER MOUNT FOR MICROPHONES AND THE LIKE

[76] Inventor: Mathew A. McPherson, 5817 Olinger Rd., Edina, Minn. 55436

[**] Term: 14 Years

[21] Appl. No.: 165,685

[22] Filed: Jul. 3, 1980

[51] Int. Cl. D14-99

[52] U.S. Cl. D14/13

[58] Field of Search D8/354, 373; 248/309, 248/314; 179/148, 146 R, 147, 178; D14/13

[56] References Cited

U.S. PATENT DOCUMENTS

D. 223,579	5/1972	Plice	D14/13
D. 246,899	1/1978	Bruce	D14/13
D. 247,115	1/1978	Cox et al.	D14/13
D. 251,908	5/1979	Fujita	D14/13
D. 251,970	5/1979	Fujita	D14/13
3,604,565	9/1971	Freeman	248/314
4,060,392	11/1977	Herzer et al.	248/309 R X

4,219,178 8/1980 Assion 248/314

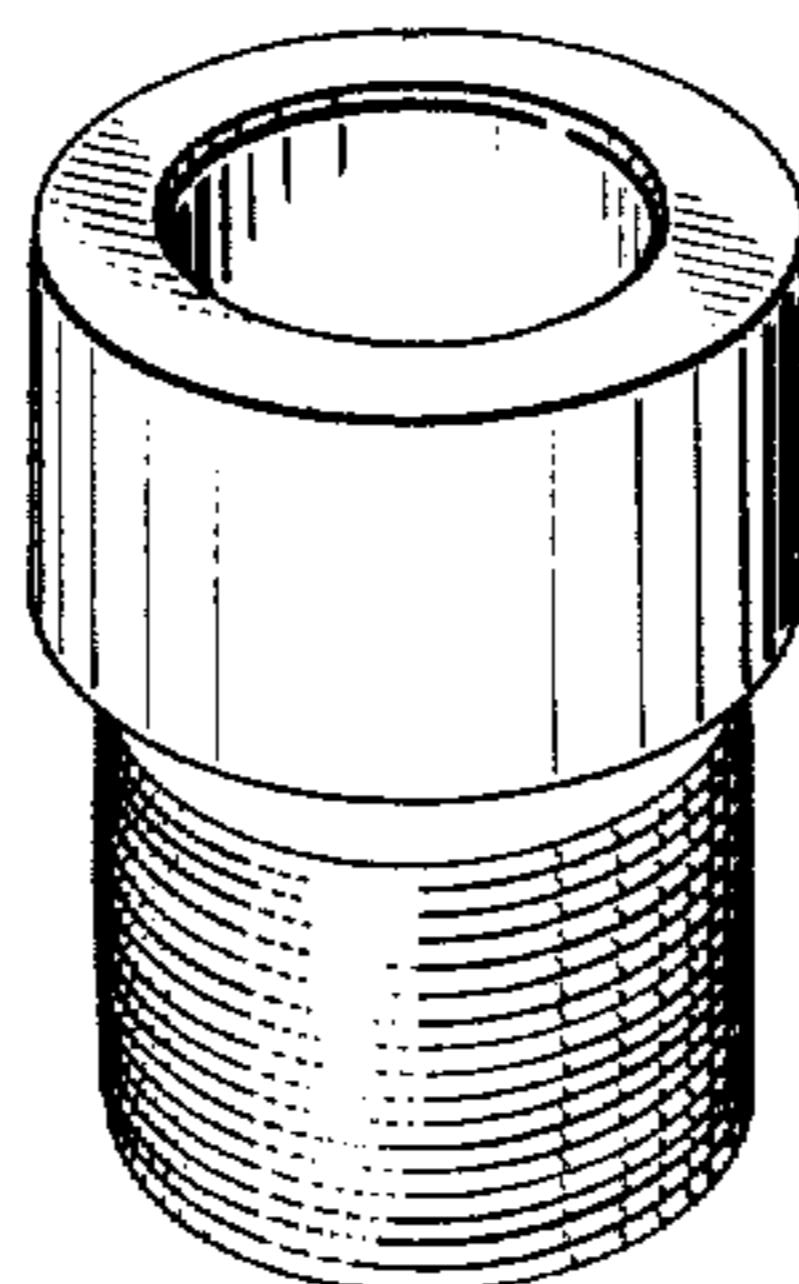
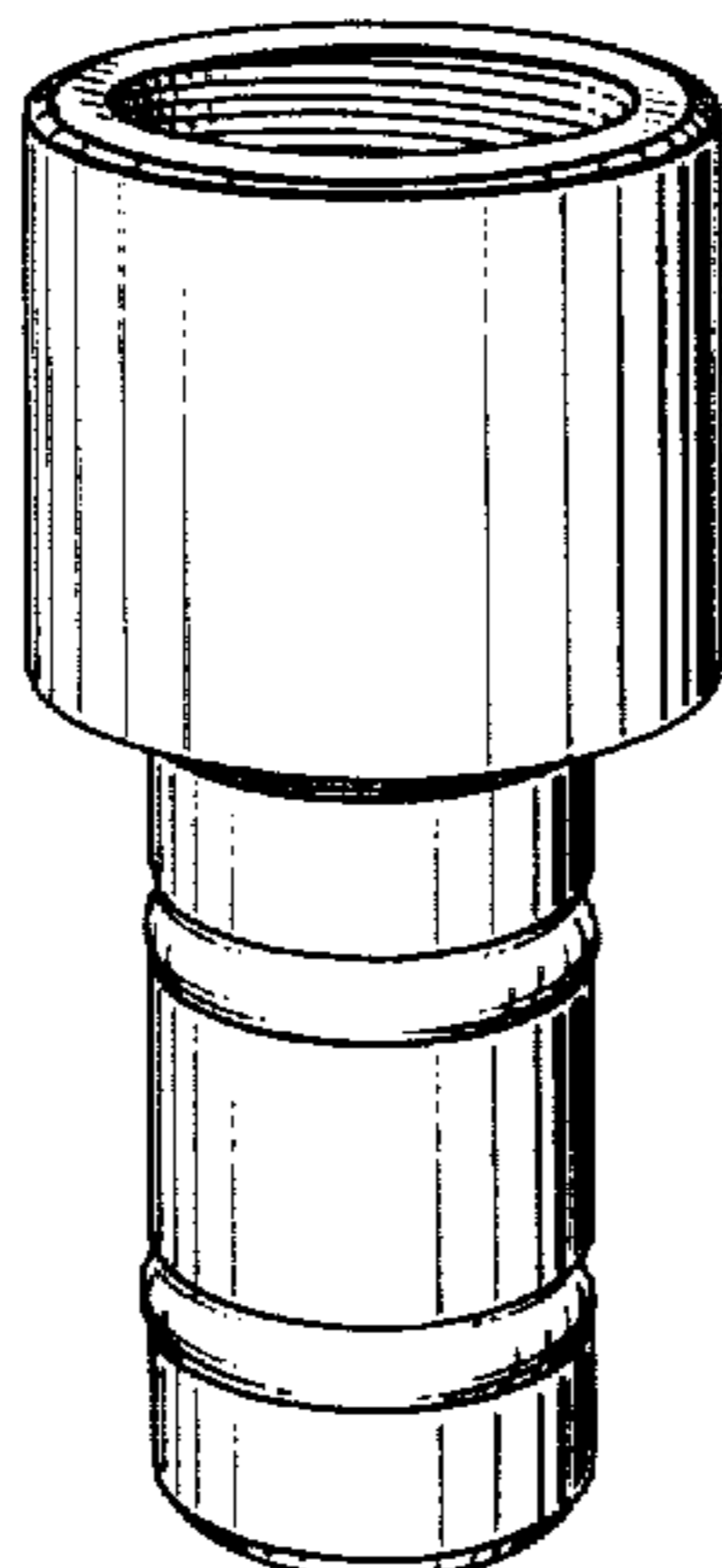
Primary Examiner—Bernard Ansher
Attorney, Agent, or Firm—Schroeder, Siegfried, Vidas, Steffey & Arrett

[57] CLAIM

The ornamental design for an adapter mount for microphone and the like, as shown and described.

DESCRIPTION

FIG. 1 is an exploded perspective view of an adapter mount for microphones and the like;
FIG. 2 is a side elevation thereof;
FIG. 3 is a top plan view as seen in the direction of line 3—3 of FIG. 2;
FIG. 4 is a bottom plan view as seen in the direction of line 4—4 of FIG. 2;
FIG. 5 is a top plan view as seen in the direction of line 5—5 of FIG. 2; and
FIG. 6 is a bottom plan view as seen in the direction of line 6—6 of FIG. 2.
The side opposite that shown in FIG. 2 is essentially a mirror image thereof.



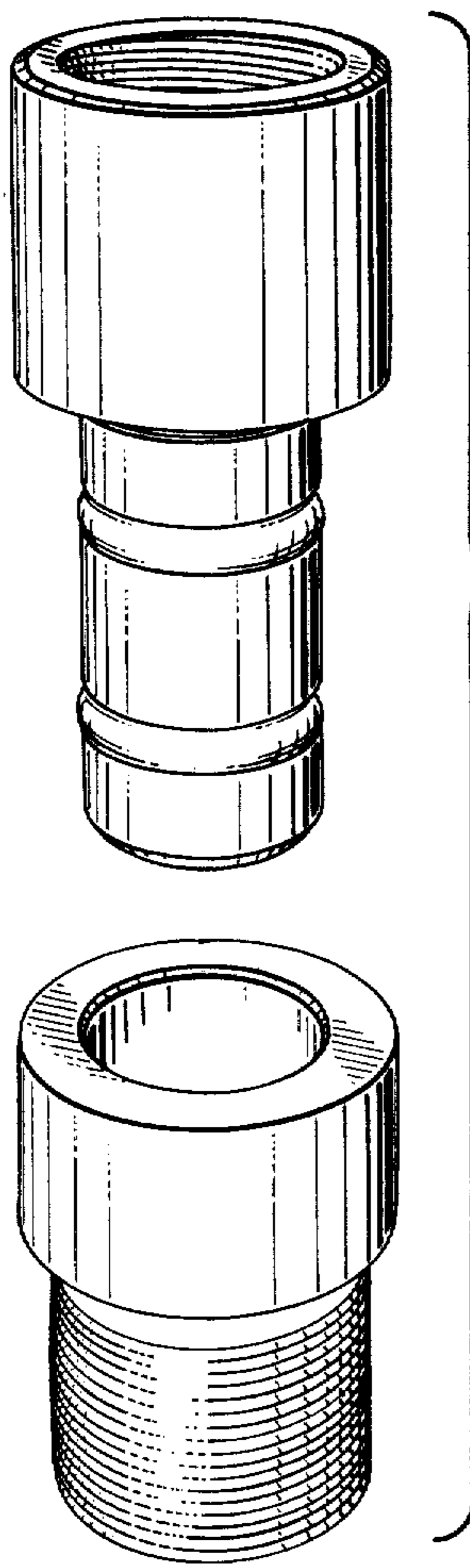


Fig 1

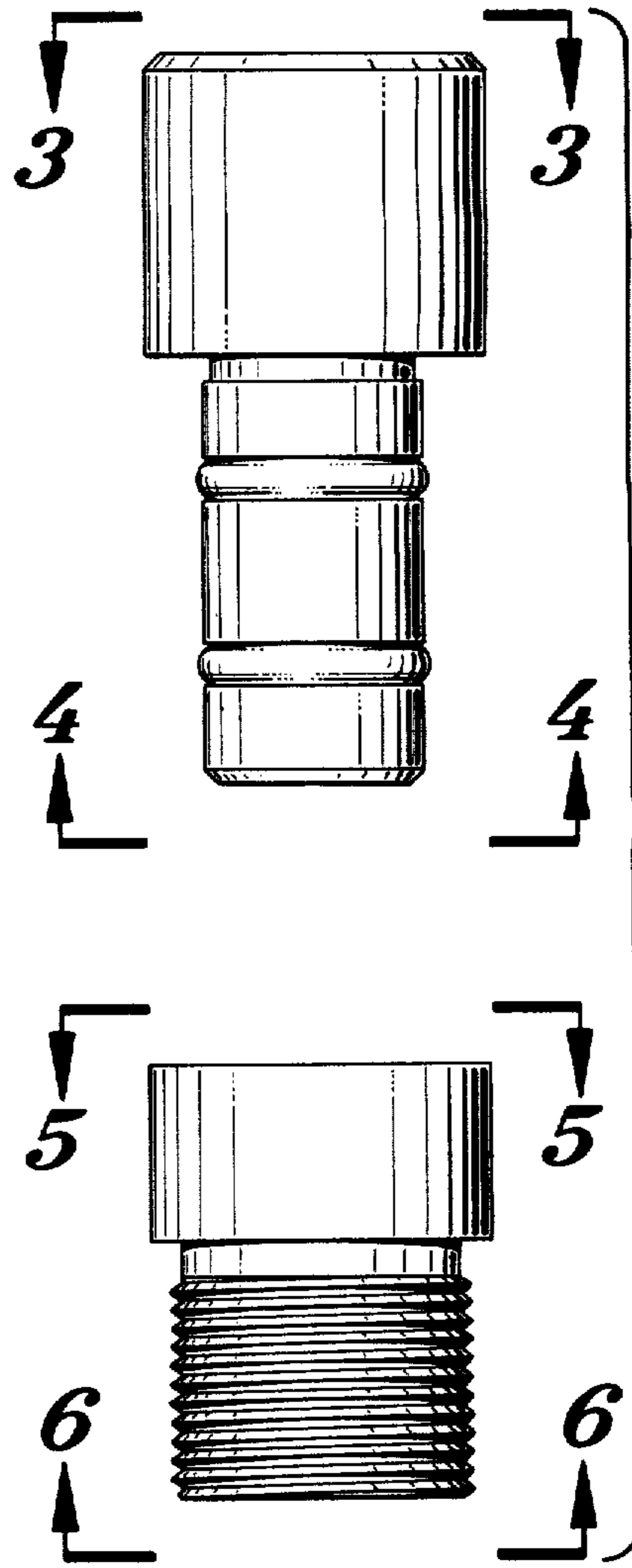


Fig 2

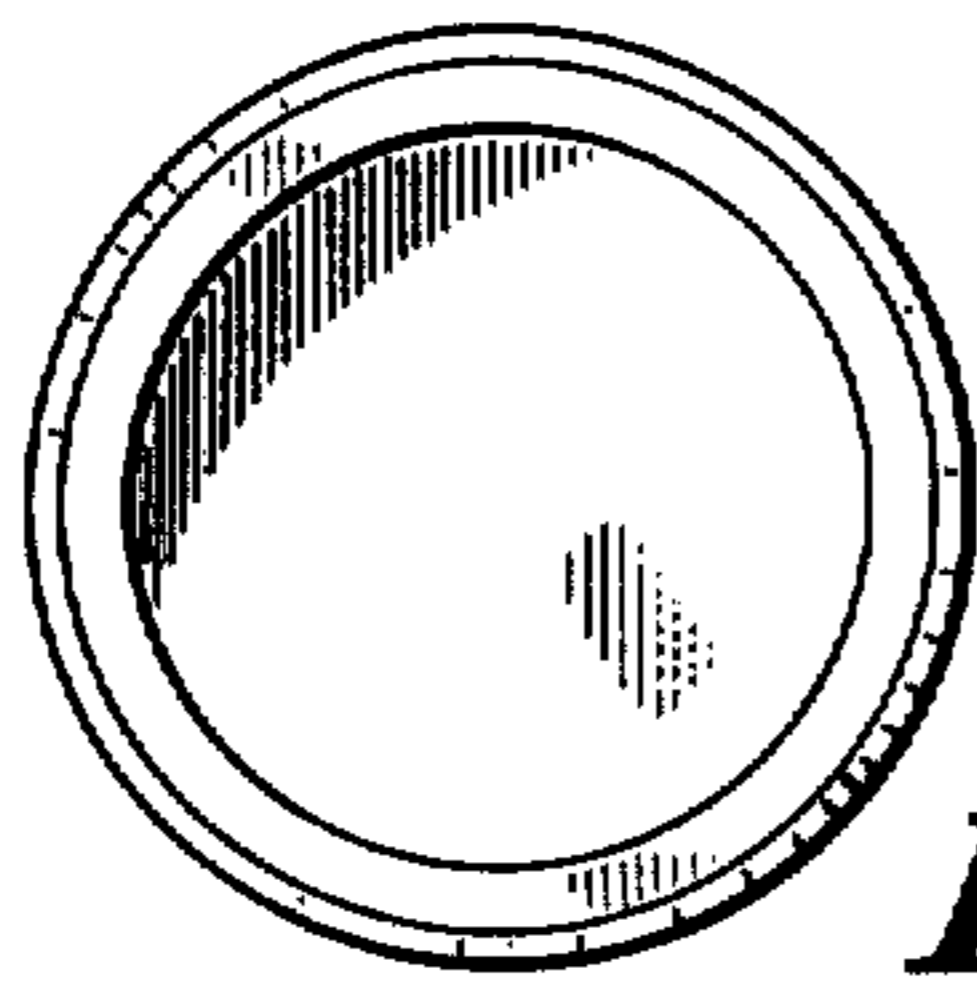


Fig 3

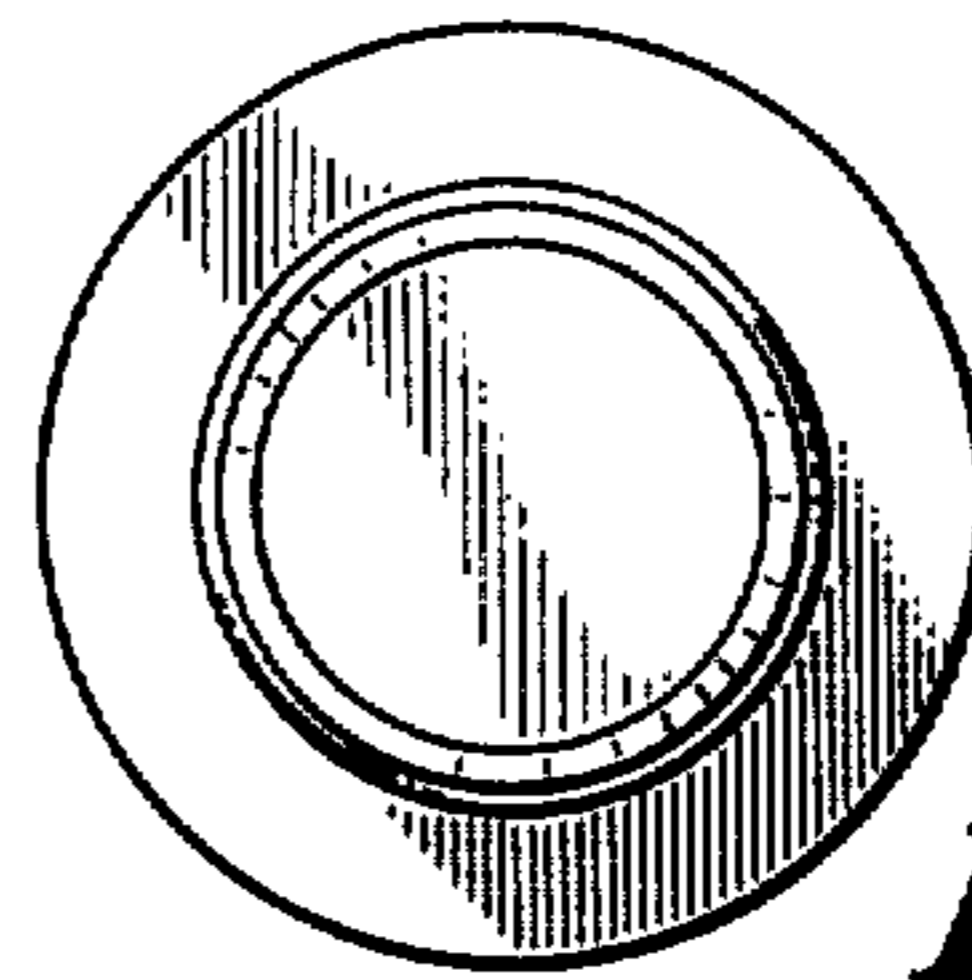


Fig 4

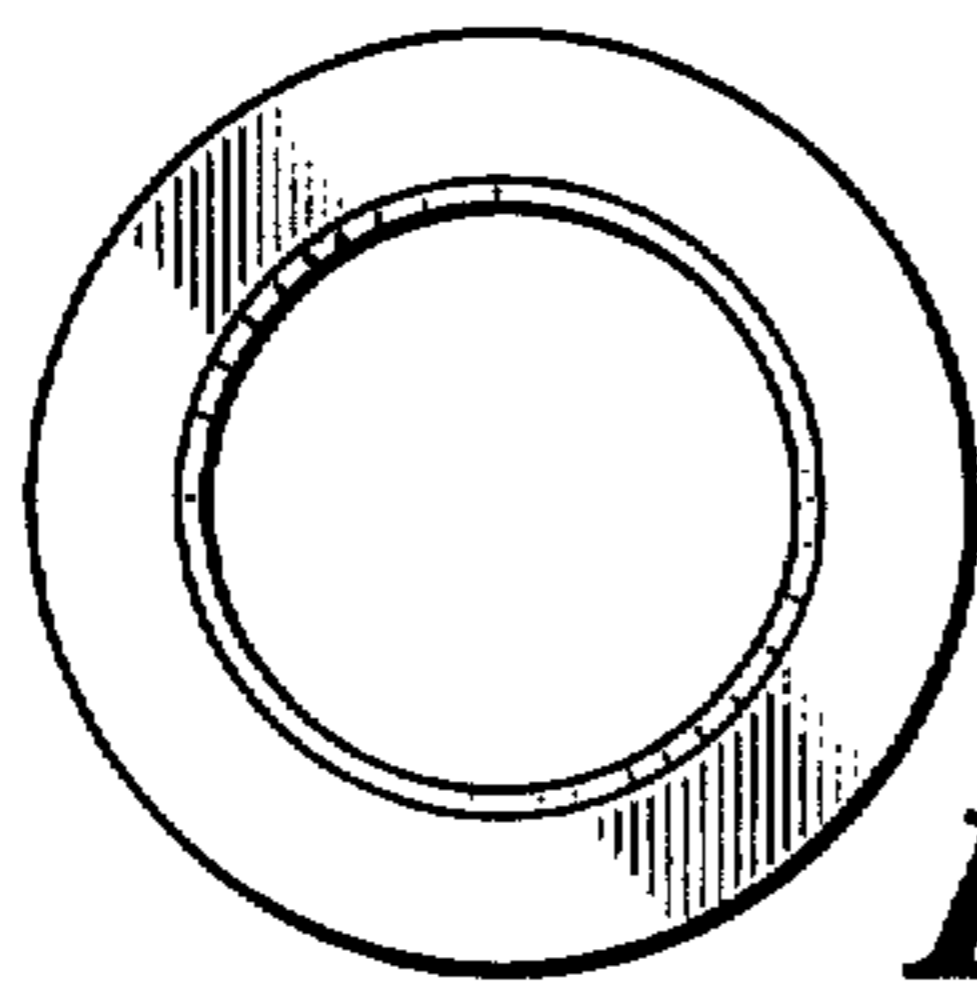


Fig 5

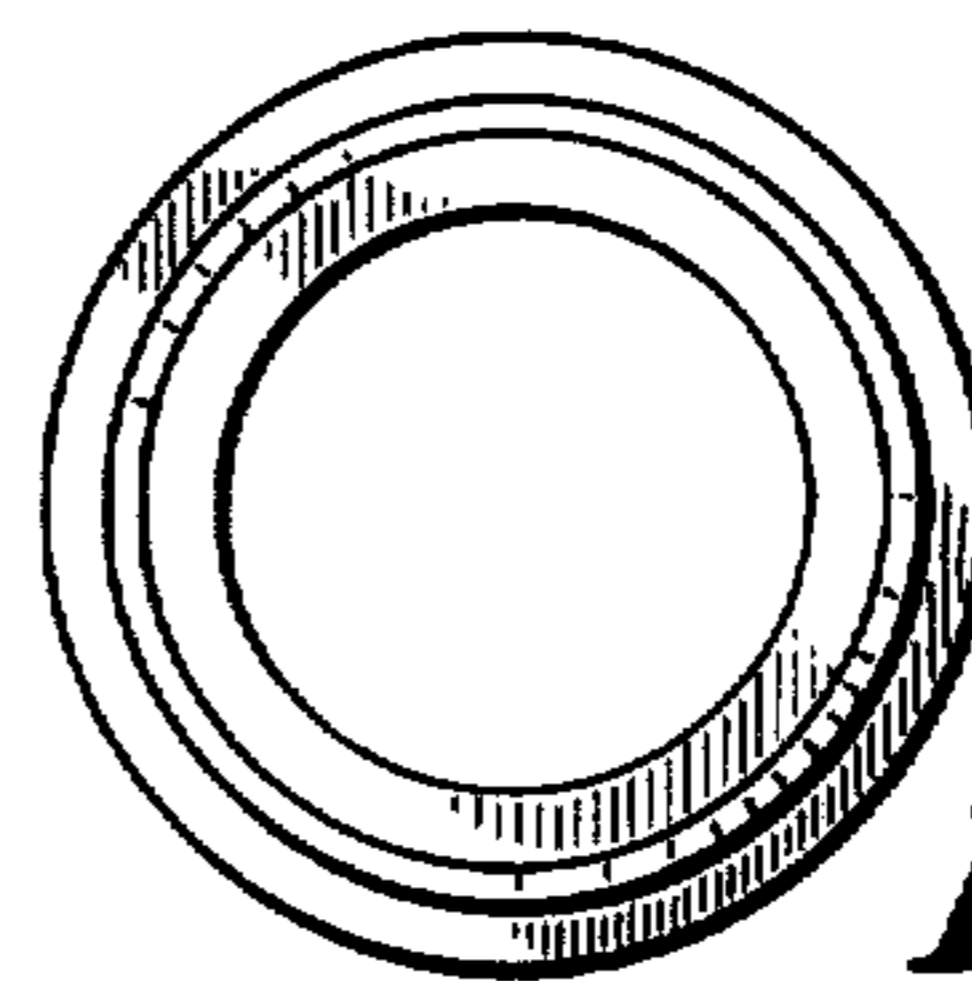


Fig 6