

[54] AUDIO-VISUAL SHEET PLAYER

[75] Inventors: Masao Iwaoka; Yousuke Igeta; Fumio Kobayashi, all of Tokyo, Japan

[73] Assignee: Gakken Co., Ltd. (Kabushiki Kaisha Gakushu Kenkyusha), Tokyo, Japan

[**] Term: 14 Years

[21] Appl. No.: 193,893

[22] Filed: Oct. 6, 1980

[51] Int. Cl. D14-01

[52] U.S. Cl. D14/1; D14/14;

D14/99

[58] Field of Search D14/1-3, D14/5, 6, 14, 17, 20, 84, 99, 79; 360/101

[56] References Cited

U.S. PATENT DOCUMENTS

D. 254,785 4/1980 Watanabe D14/14
3,787,636 1/1974 Brandt et al. 360/101 X

3,855,620 12/1974 Kato 360/101
4,091,427 5/1978 Iwaoka et al. 360/101

FOREIGN PATENT DOCUMENTS

994982 6/1965 United Kingdom D14/2

Primary Examiner—Jane E. Corrigan
Attorney, Agent, or Firm—Irving M. Weiner; Pamela S. Burt; John L. Shortley

[57] CLAIM

The ornamental design for an audio-visual sheet player, as shown.

DESCRIPTION

FIG. 1 is a front, top and right side perspective view of an audio-visual sheet player showing our new design; FIG. 2 is a front elevational view; FIG. 3 is a top plan view; FIG. 4 is a left side elevational view; FIG. 5 is a right side elevational view; FIG. 6 is a bottom plan view; and FIG. 7 is a rear elevational view.

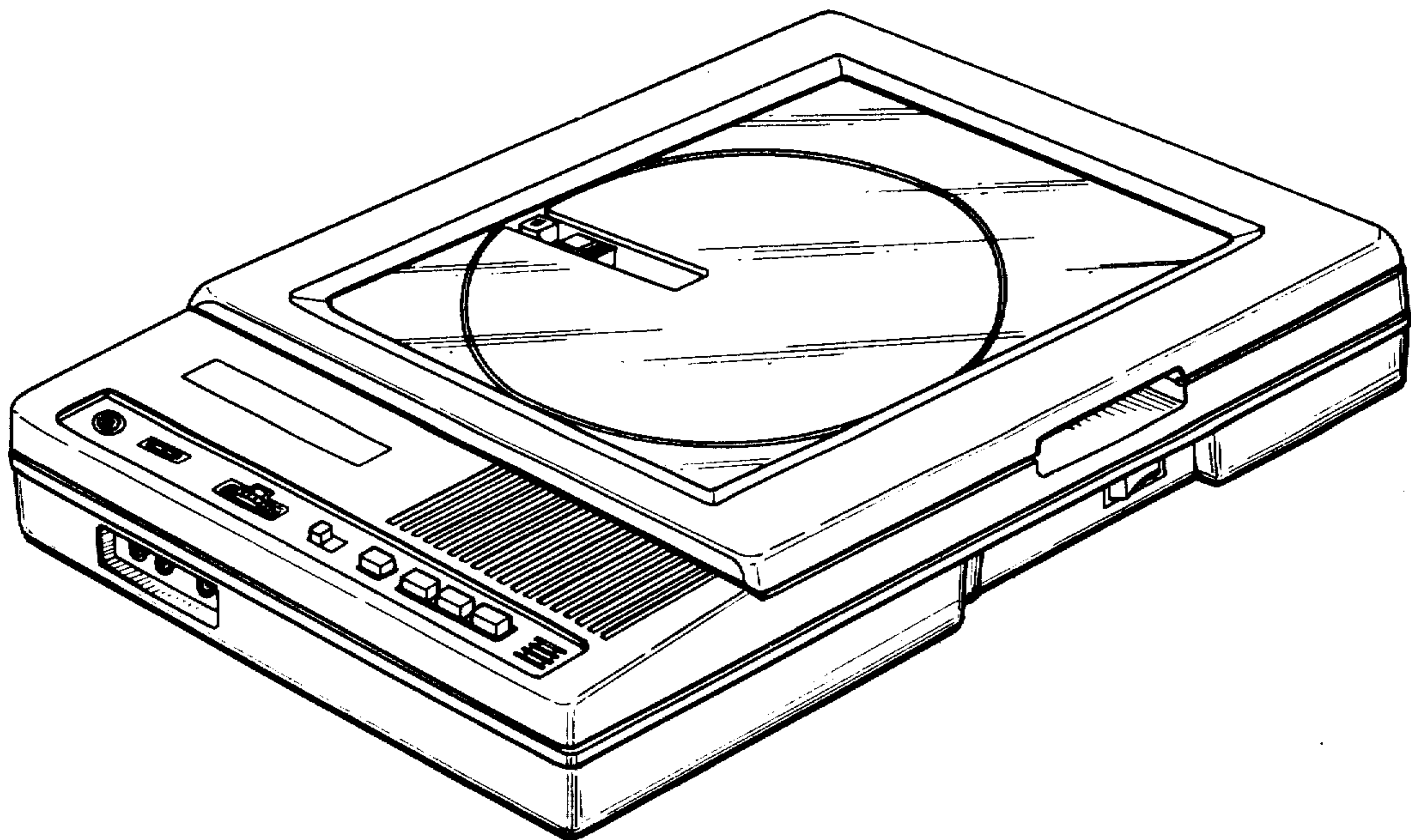


Fig . 1

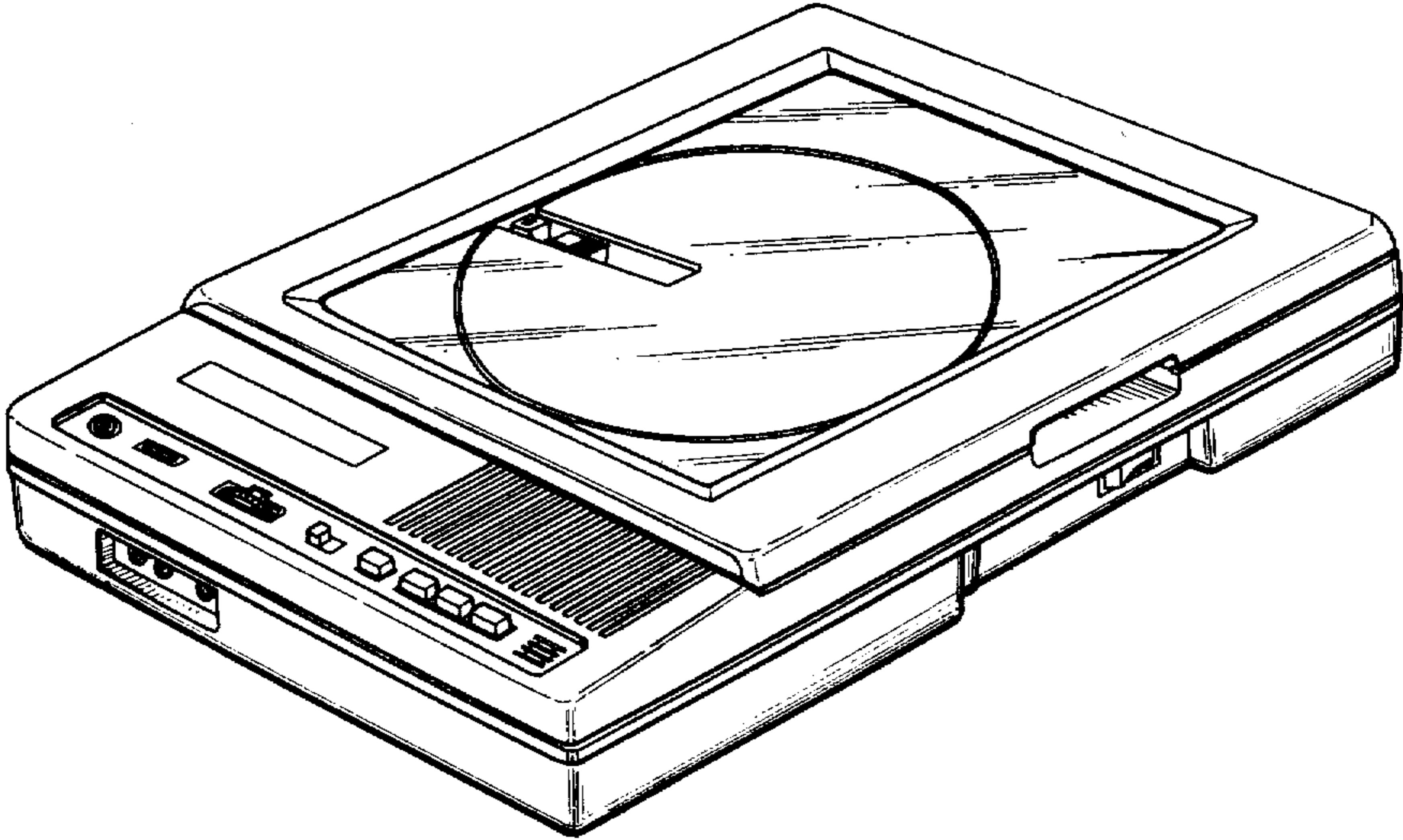


Fig . 2

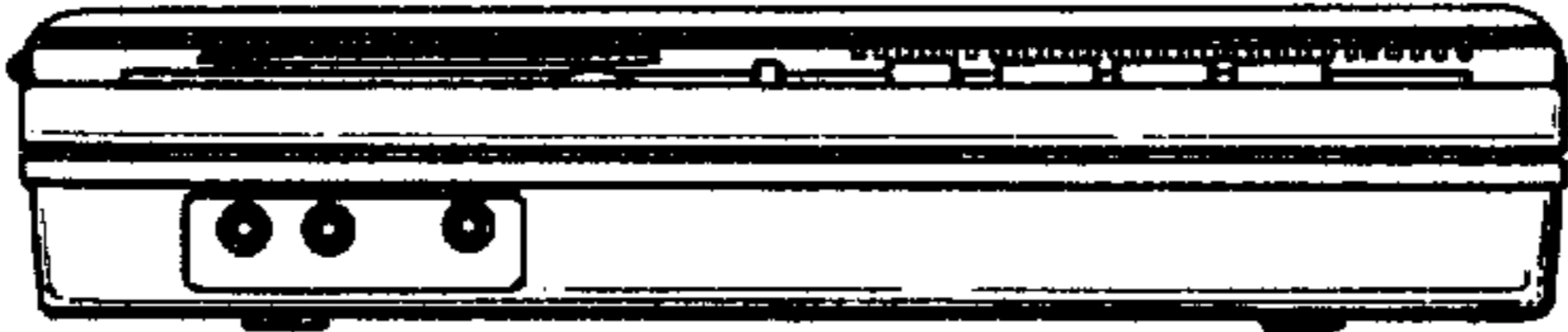


Fig. 3

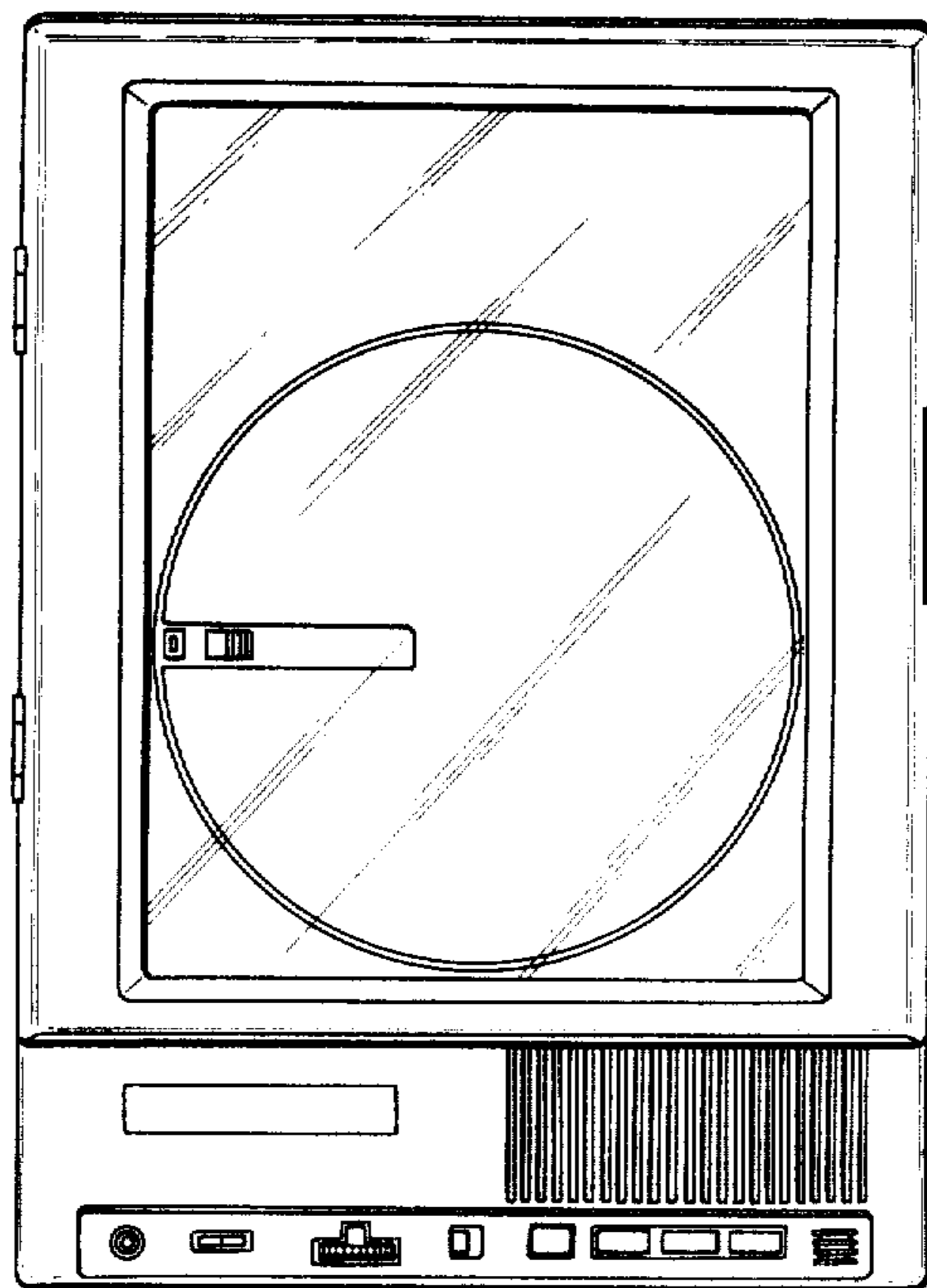


Fig. 4

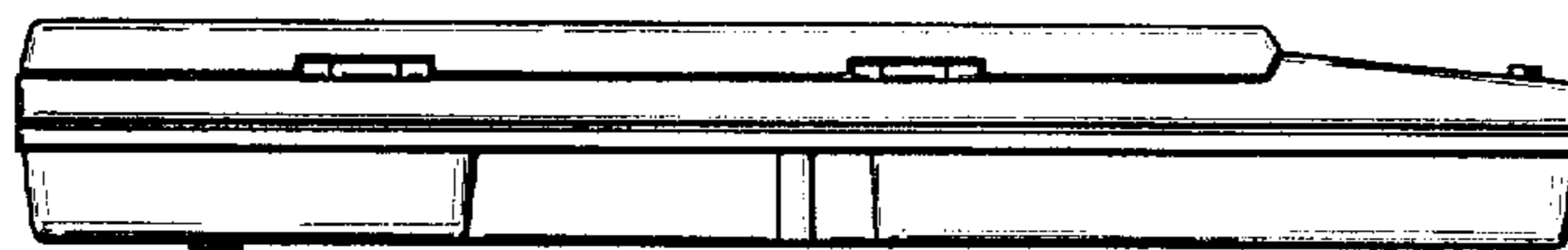


Fig. 5



Fig. 6

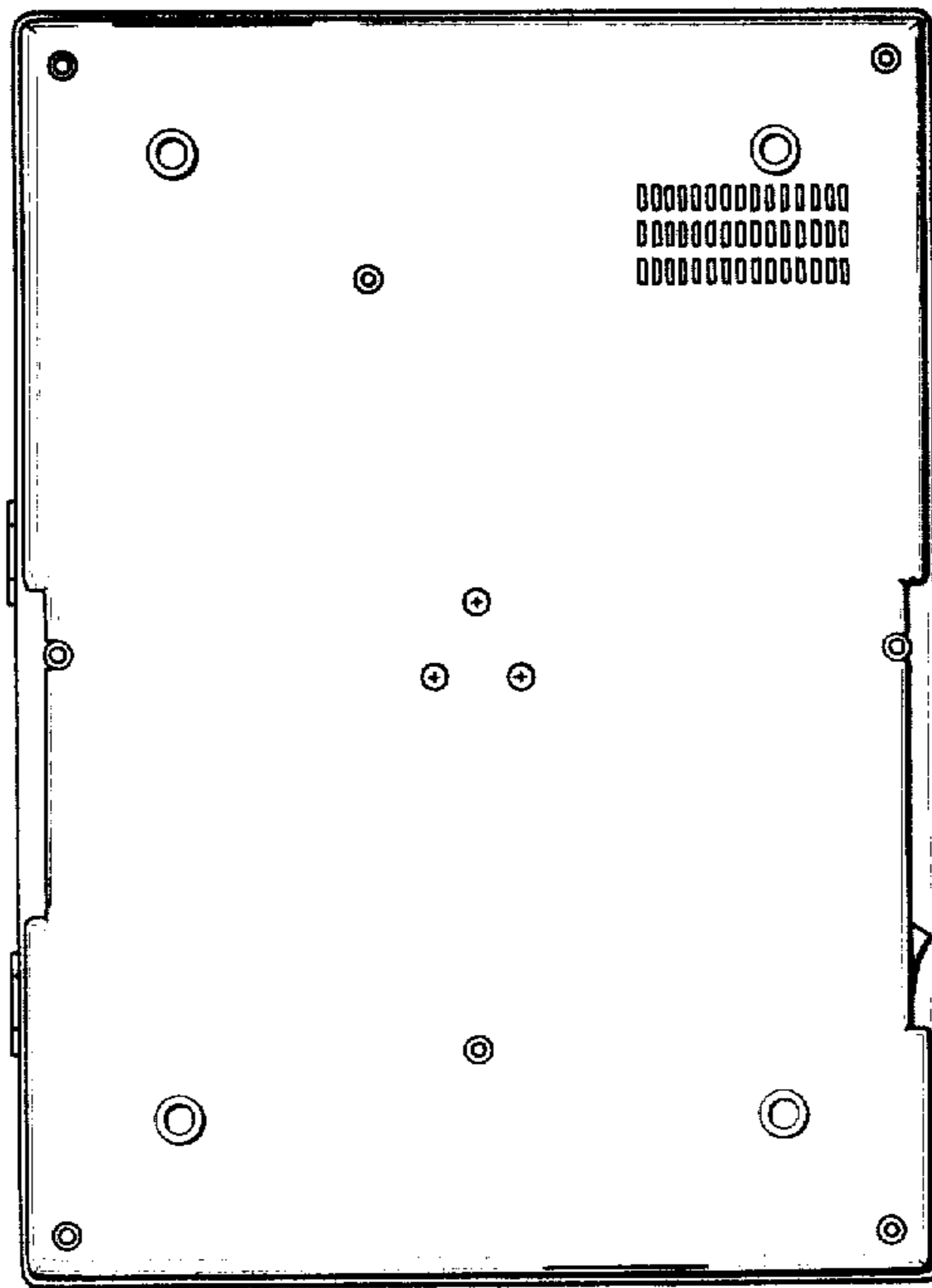


Fig. 7

