

[54] **TIRE FOR A VEHICLE WHEEL**

[75] Inventor: **Brian S. Bennett,**
Barton-Under-Needwood, England

[73] Assignee: **Dunlop Limited,** London, England

[**] Term: **14 Years**

[21] Appl. No.: **185,958**

[22] Filed: **Sep. 10, 1980**

[30] **Foreign Application Priority Data**
Mar. 22, 1980 [GB] United Kingdom 994168

[51] Int. Cl. **D12-15**
[52] U.S. Cl. **D12/145**
[58] Field of Search **D12/141-143,**
D12/145; 152/209 R, 209 NT, 209 WT, 209 D

[56] **References Cited**

U.S. PATENT DOCUMENTS

2,272,879 2/1942 Hargraves 152/209 R
3,494,401 2/1970 Bush 152/209 R

OTHER PUBLICATIONS

Hot Rod, 6/79, p. 47, Tire, bottom center of page.

Primary Examiner—James M. Gandy
Attorney, Agent, or Firm—Stevens, Davis, Miller &
Mosher

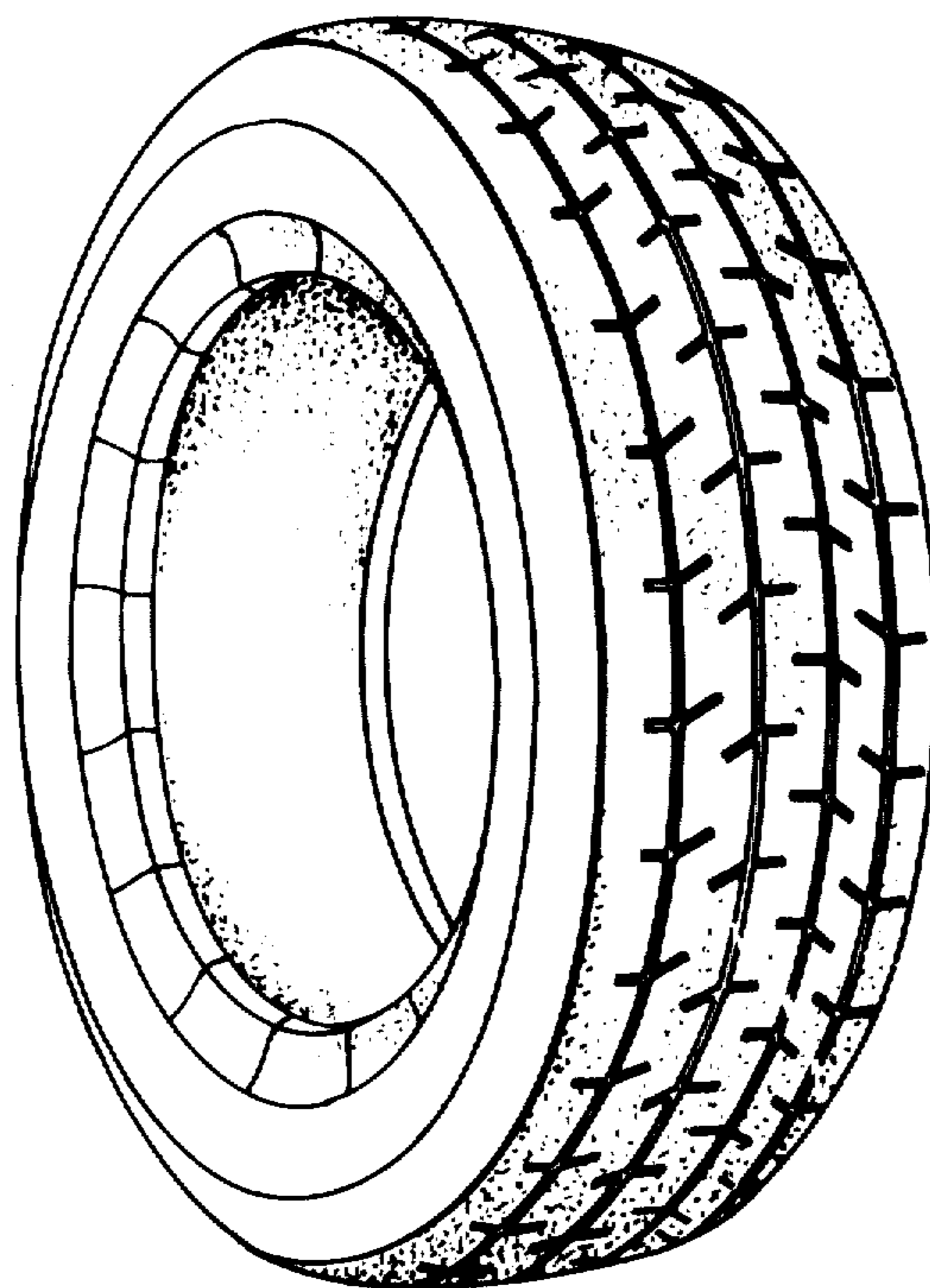
[57] **CLAIM**

The ornamental design for a tire for a vehicle wheel, as shown and described.

DESCRIPTION

FIG. 1 is a perspective view of a tire for a vehicle wheel showing my new design, it being understood that the tread design is repeated throughout the circumference of the tire, the opposite side being the same as that shown;

FIG. 2 is a front elevational view thereof; and
FIG. 3 is a side elevational view thereof.



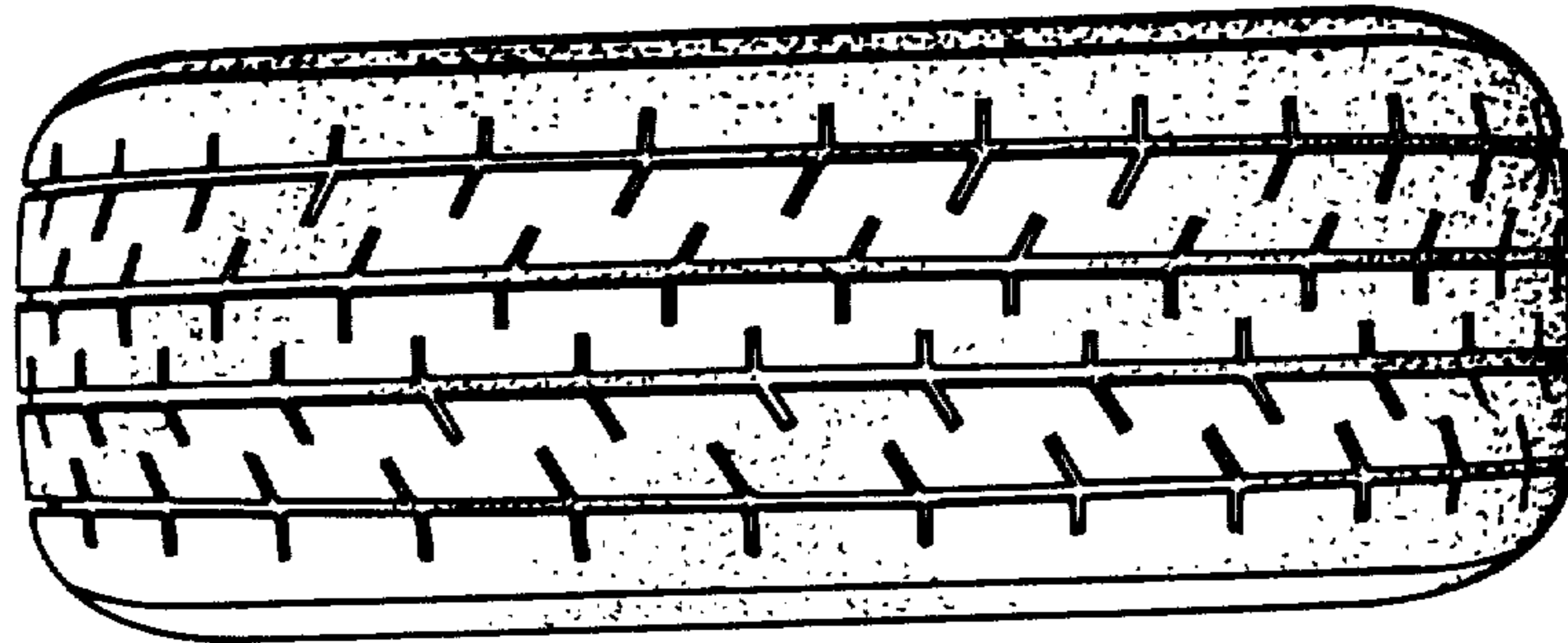


FIG. 2

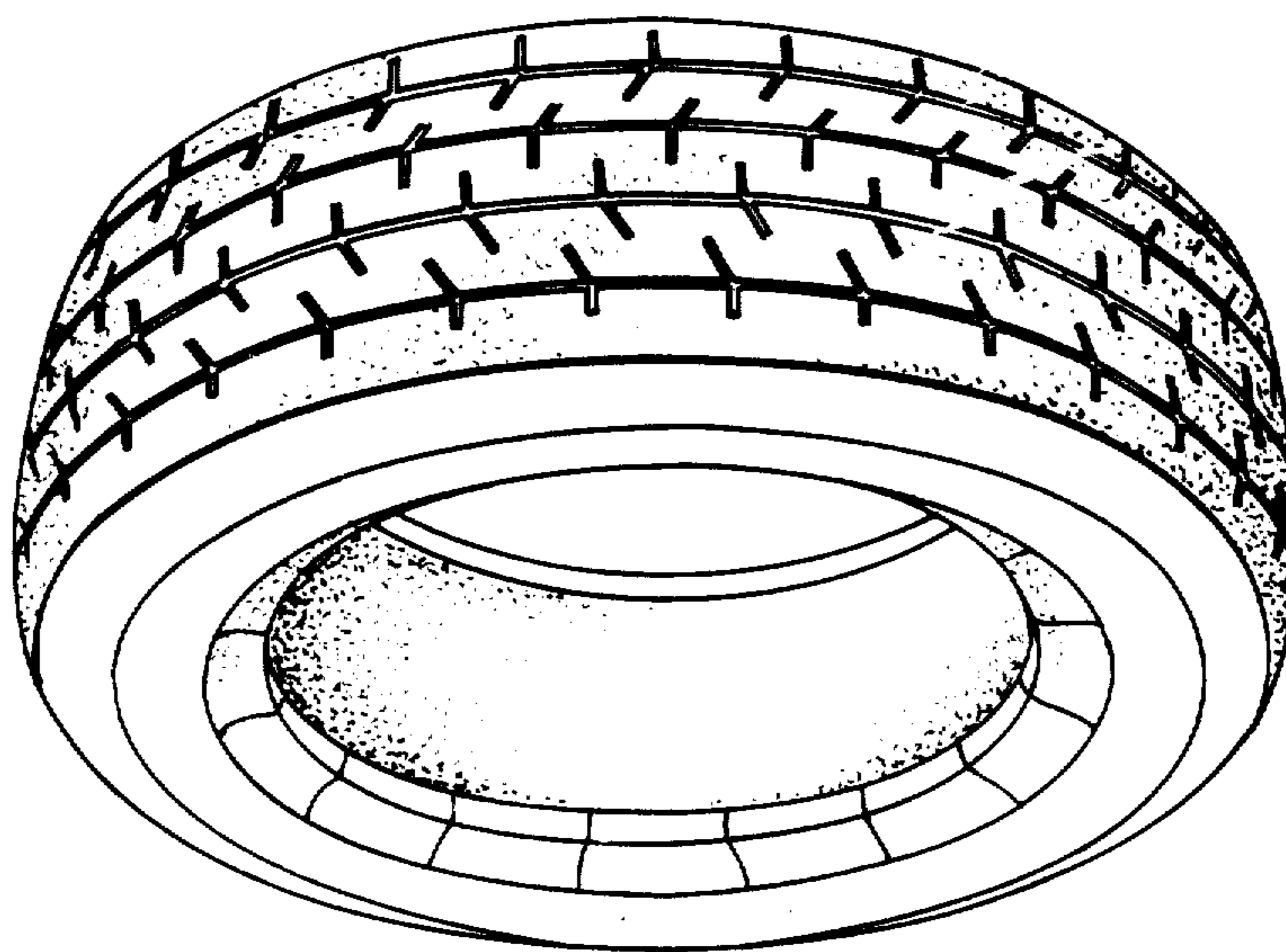


FIG. 1

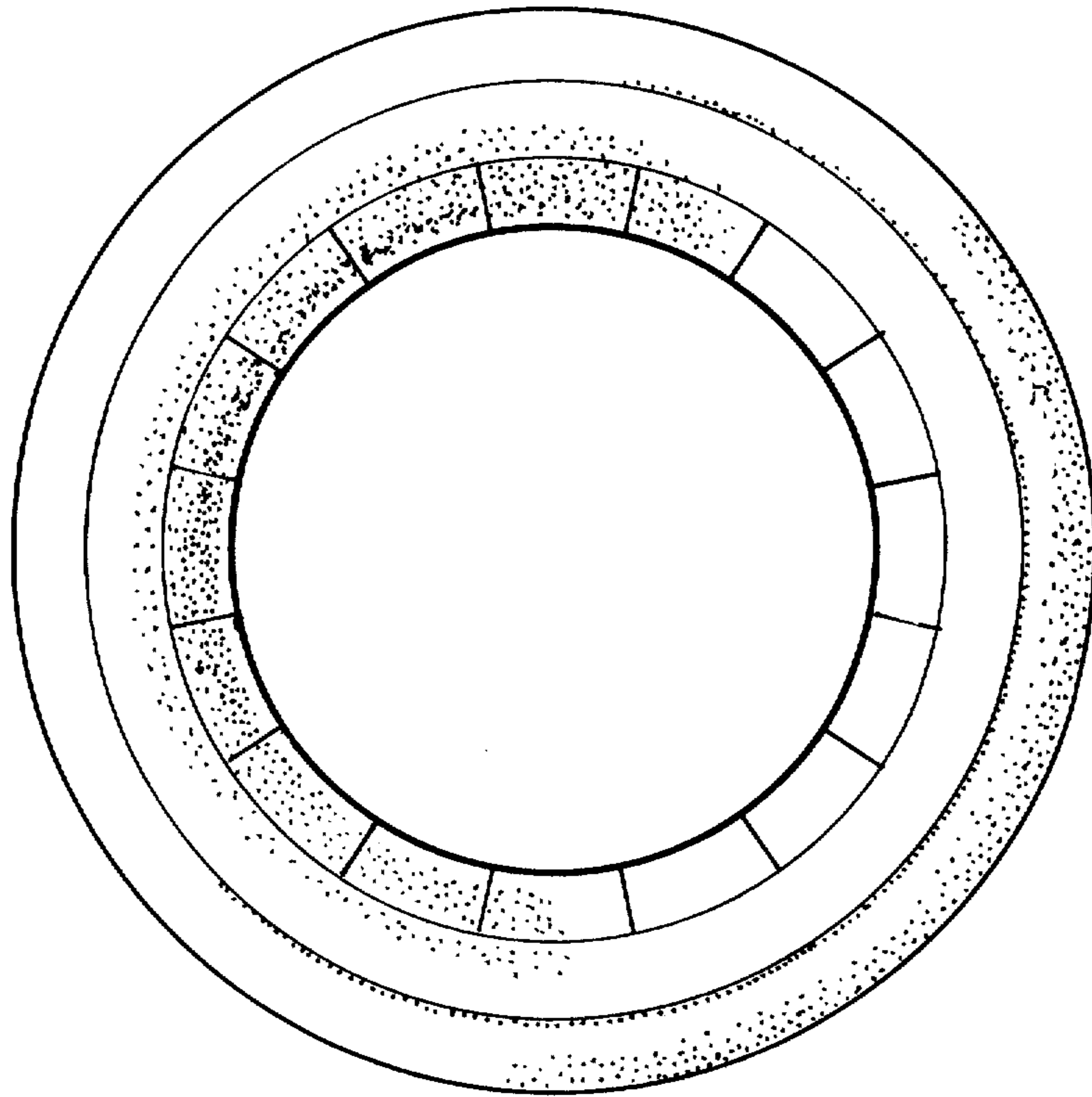


FIG. 3