

[54] DISPENSER CAP

[75] Inventor: Dale J. Kirstine, San Juan Capistrano, Calif.

[73] Assignee: Kirstine/Hendricks, Irvine, Calif.

[**] Term: 14 Years

[21] Appl. No.: 238,698

[22] Filed: Feb. 27, 1981

[51] Int. Cl. D9-07

[52] U.S. Cl. D9/450; D9/453

[58] Field of Search D9/366, 350, 435, 447, D9/449, 450, 452, 453, 454; 215/316, 313; 222/548

[56] References Cited

U.S. PATENT DOCUMENTS

D. 179,159	11/1956	Sanborn	D9/447
D. 200,024	1/1965	Lombardo	D9/447
2,281,620	5/1942	Rueger	222/548
2,975,946	3/1961	Westgate	222/548 X
3,058,630	10/1962	Abt	222/548 X

3,269,389	8/1966	Meurer et al.	D9/447 X
3,542,260	11/1970	Souza	222/548

Primary Examiner—Robert C. Spangler
Attorney, Agent, or Firm—Knobbe, Martens, Olson, Hubbard & Bear

[57] CLAIM

The ornamental design for a dispenser cap, as shown and described.

DESCRIPTION

FIG. 1 is a perspective view of a dispenser cap showing my new design, the broken lines showing a container being for illustrative purposes only;
FIG. 2 is a top plan view;
FIG. 3 is a side elevational view, the opposite side being the same in appearance;
FIG. 4 is a bottom plan view;
FIG. 5 is a top plan view showing the dispenser cap in an open position;
FIG. 6 is a bottom plan view showing the dispenser cap in an open position; and
FIG. 7 is an exploded perspective view thereof.

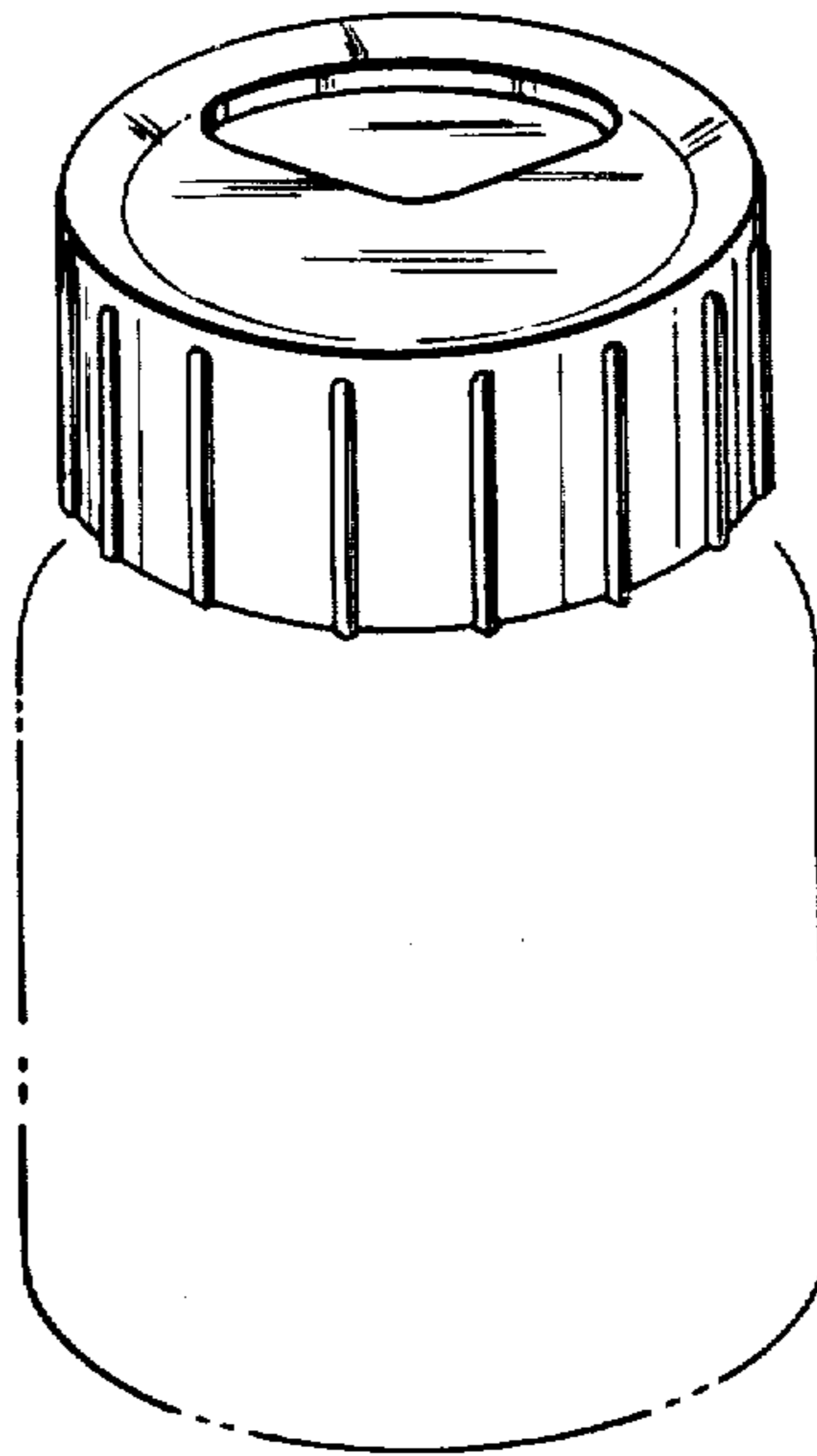


Fig. 1

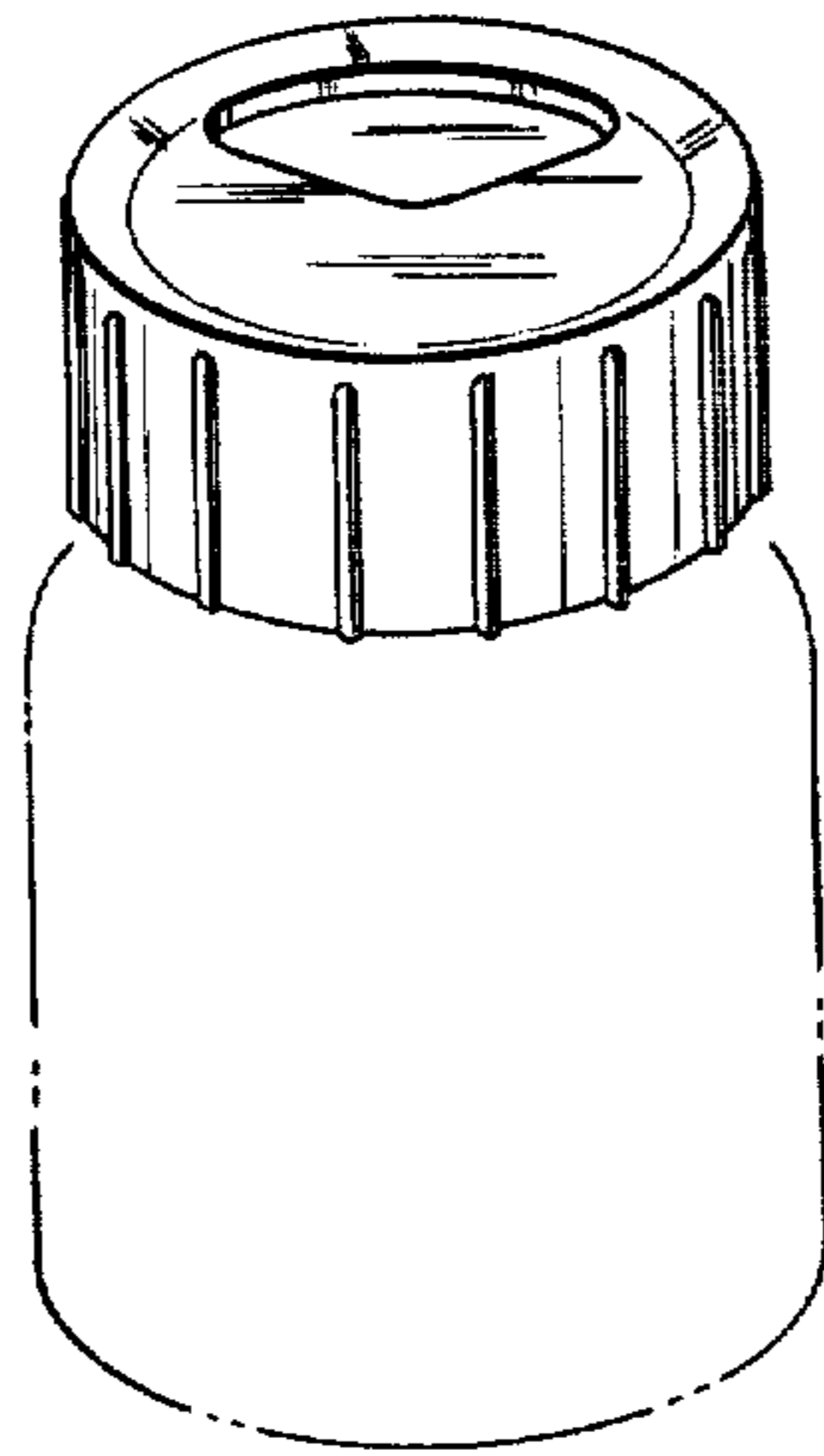


Fig. 7

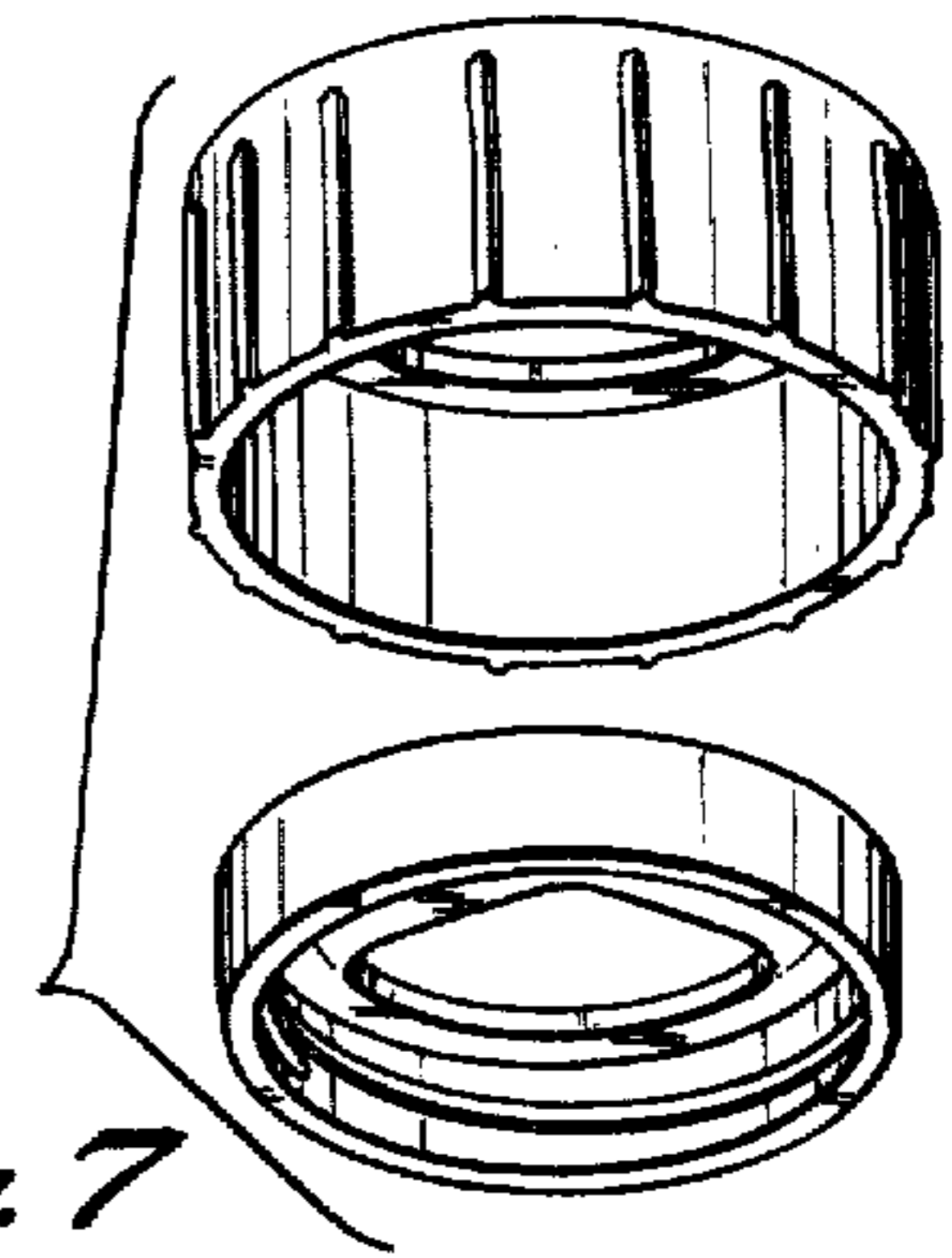


Fig. 2

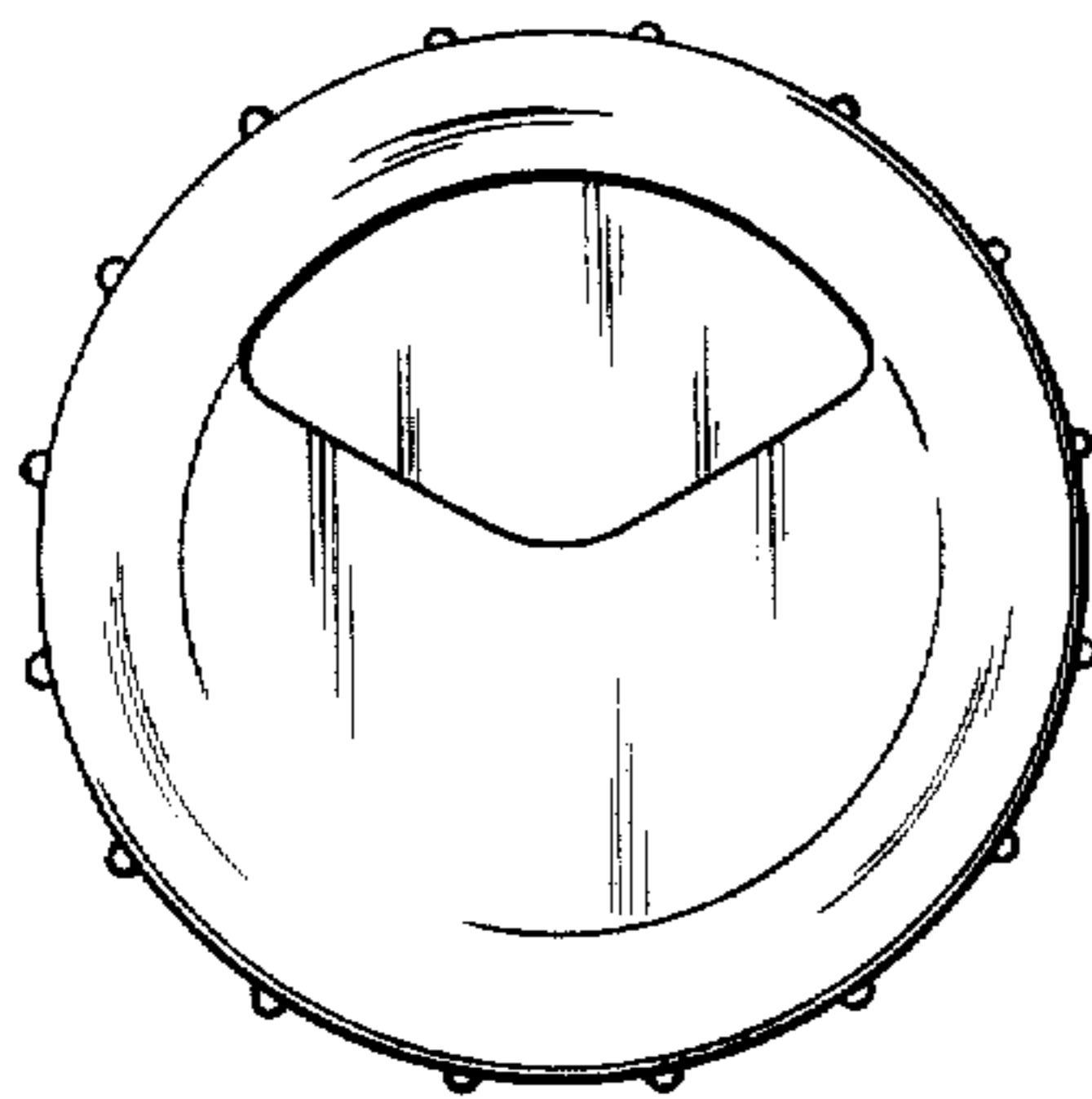


Fig. 5

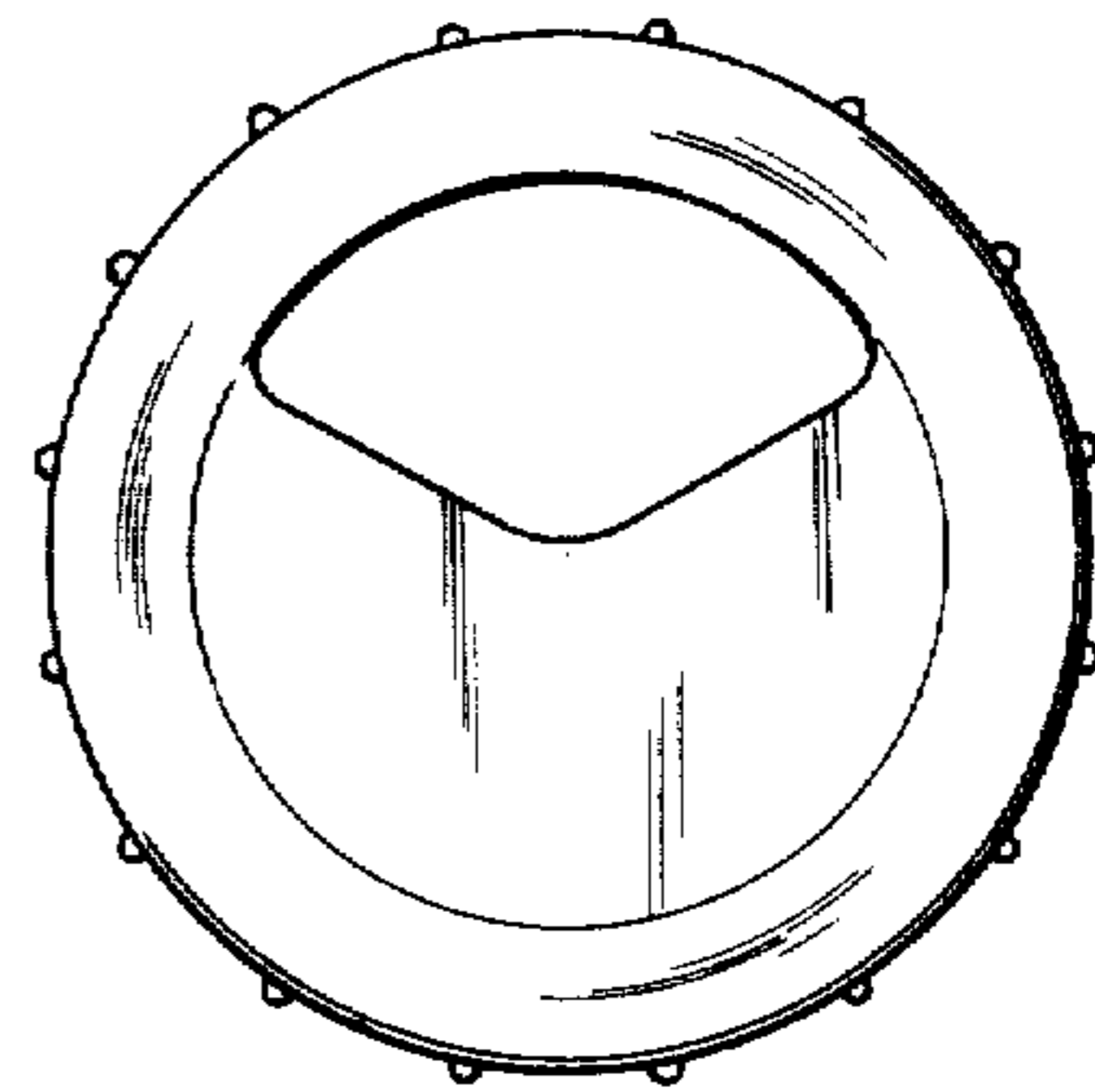


Fig. 3

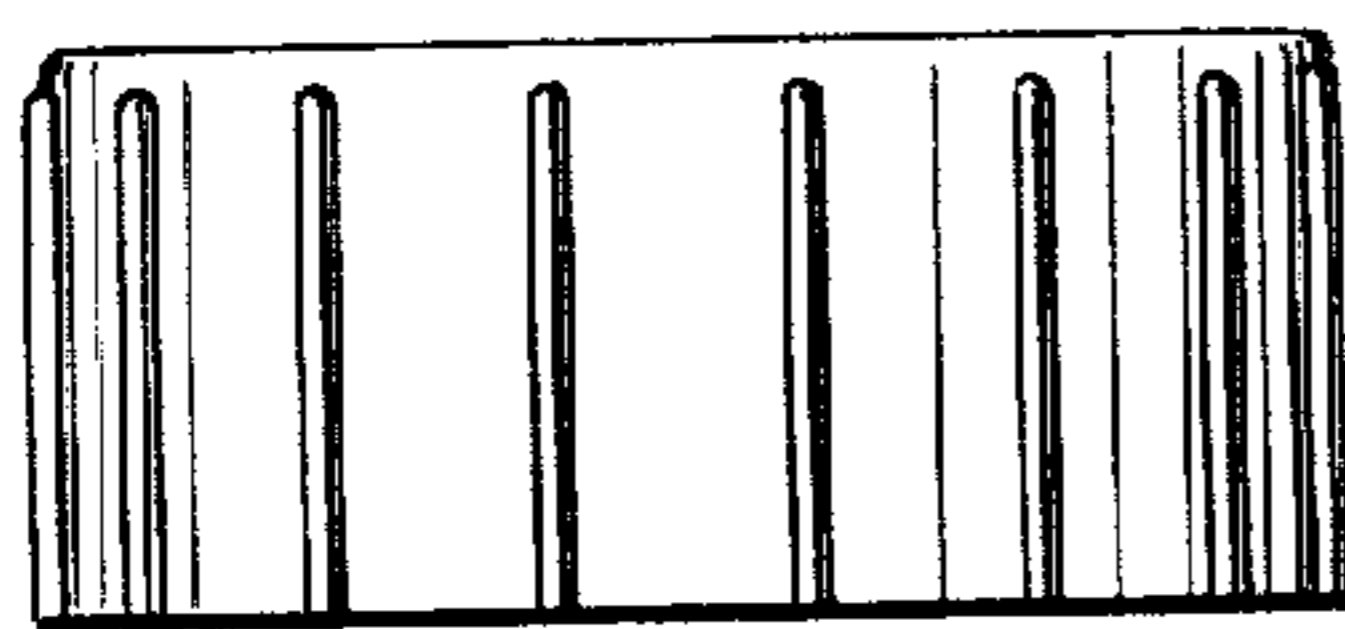


Fig. 6

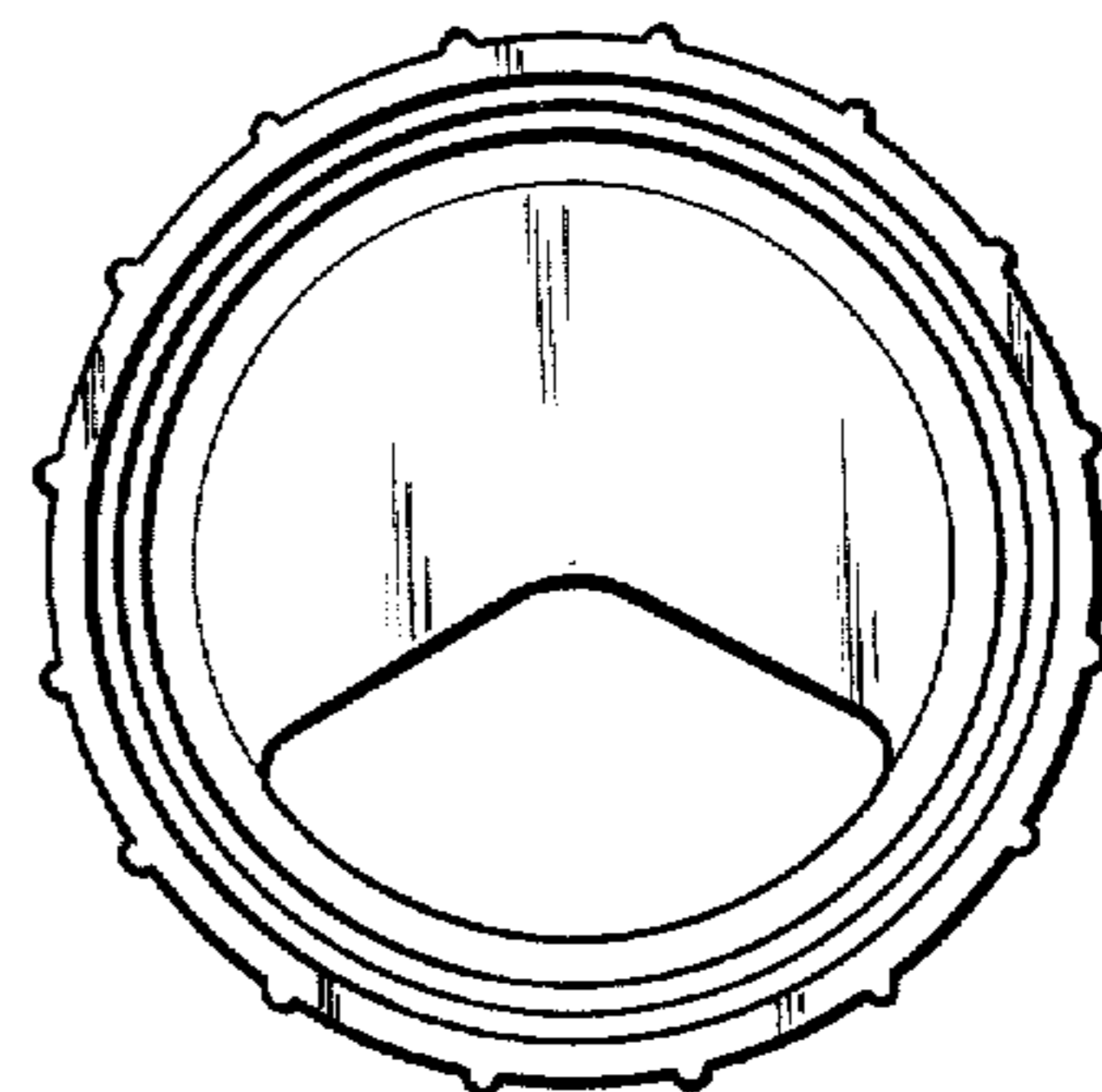


Fig. 4

