

[54] TRIM BLADE FOR LAWNS AND THE LIKE

[76] Inventor: Anthony G. Bonforte, P.O. Box 1844, Rancho Santa Fe, Calif. 92069

[\*\*] Term: 14 Years

[21] Appl. No.: 178,023

[22] Filed: Aug. 14, 1980

[51] Int. Cl. .... D8-03; D15-03

[52] U.S. Cl. .... D8/08; D8/20; D15/7

[58] Field of Search ..... D8/08, 20; D15/7; 56/295; 30/347

[56] References Cited

U.S. PATENT DOCUMENTS

D. 238,441 1/1976 Julian ..... D15/7

D. 264,042	4/1982	Inaga et al. ....	D8/8
1,868,918	7/1932	Schenk .....	30/347 X
3,191,368	6/1965	Hidalgo .....	D15/17 X
3,343,350	9/1967	Freeländer et al. ....	56/295
3,343,355	9/1967	Freeländer et al. ....	56/295
3,465,508	9/1969	Edwards .....	56/295
3,614,861	10/1971	Wickham et al. ....	56/295
4,302,878	12/1981	Bonforte .....	56/295 X

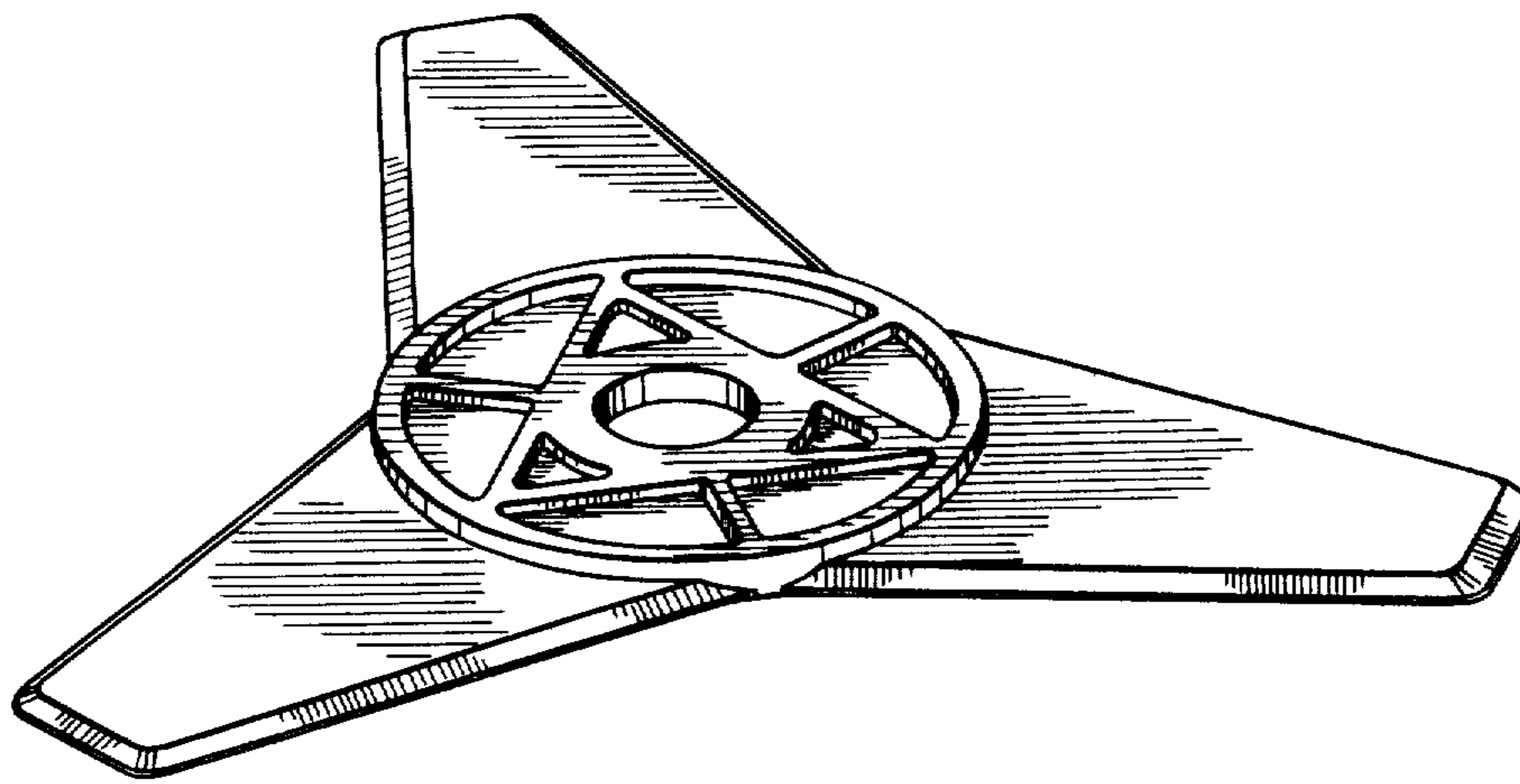
Primary Examiner—Bernard Ansher  
Attorney, Agent, or Firm—Brown & Martin

[57] CLAIM

The ornamental design for a trim blade for lawns and the like, substantially as shown.

DESCRIPTION

FIG. 1 is a top perspective view of a trim blade for lawns or the like, showing my new design; FIG. 2 is a bottom plan view thereof; and FIG. 3 is a side elevation thereof.



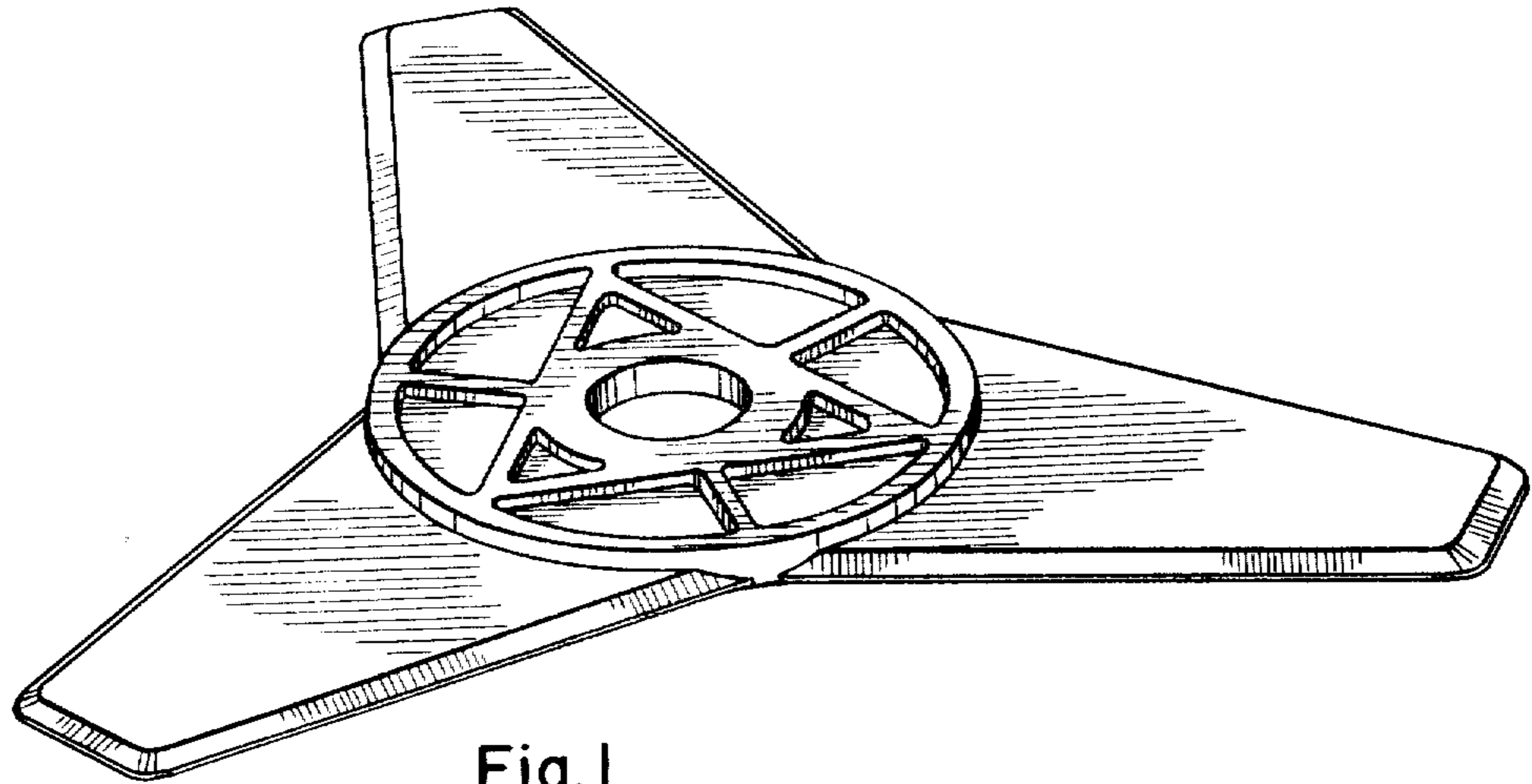


Fig. 1

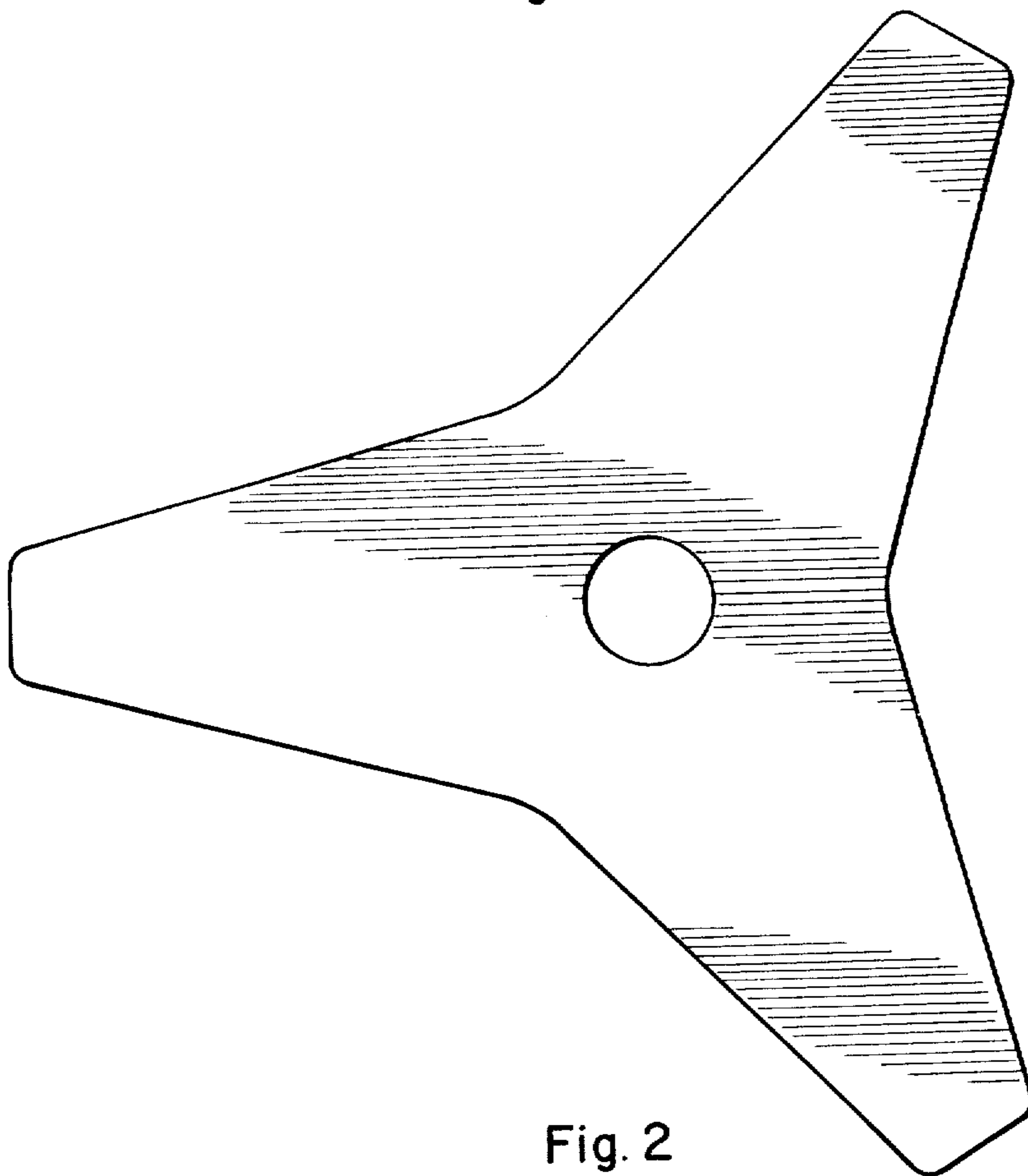


Fig. 2



Fig. 3