

[54] NUTMEG GRATER

[76] Inventor: William E. Bounds, 3737 W. 240th St., Torrance, Calif. 90505

[\*\*] Term: 14 Years

[21] Appl. No.: 200,938

[22] Filed: Oct. 27, 1980

[51] Int. Cl. .... D07-06

[52] U.S. Cl. .... D7/53; D7/47

[58] Field of Search ..... D7/99, 47, 53, 41; 241/168, 169.1; 100/125, 112; D15/100

[56] References Cited

U.S. PATENT DOCUMENTS

D. 8,597 9/1875 Girard ..... D7/53  
2,763,440 9/1956 Johnson ..... 241/168 X

FOREIGN PATENT DOCUMENTS

1008837 5/1952 France ..... 241/168 X

OTHER PUBLICATIONS

*Regal Pepper Mills Flyer*, Item #R-700, lower r. Mill, \$4.95 set.

*Primary Examiner*—Winifred E. Herrmann  
*Attorney, Agent, or Firm*—Edward A. Sokolski

[57] CLAIM

The ornamental design for a nutmeg grater, as shown and described.

DESCRIPTION

FIG. 1 is a top plan view of a nutmeg grater showing my new design;

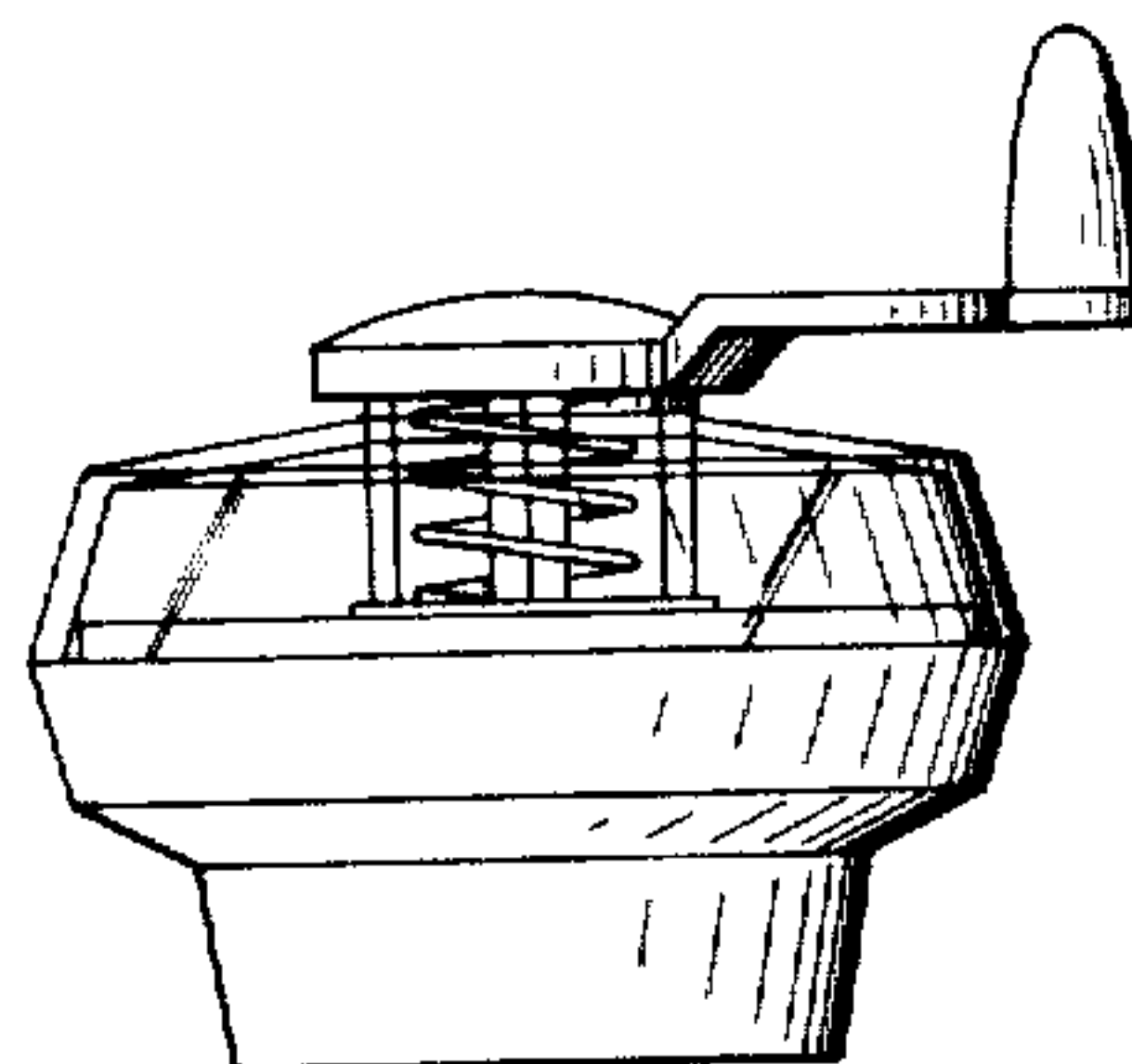
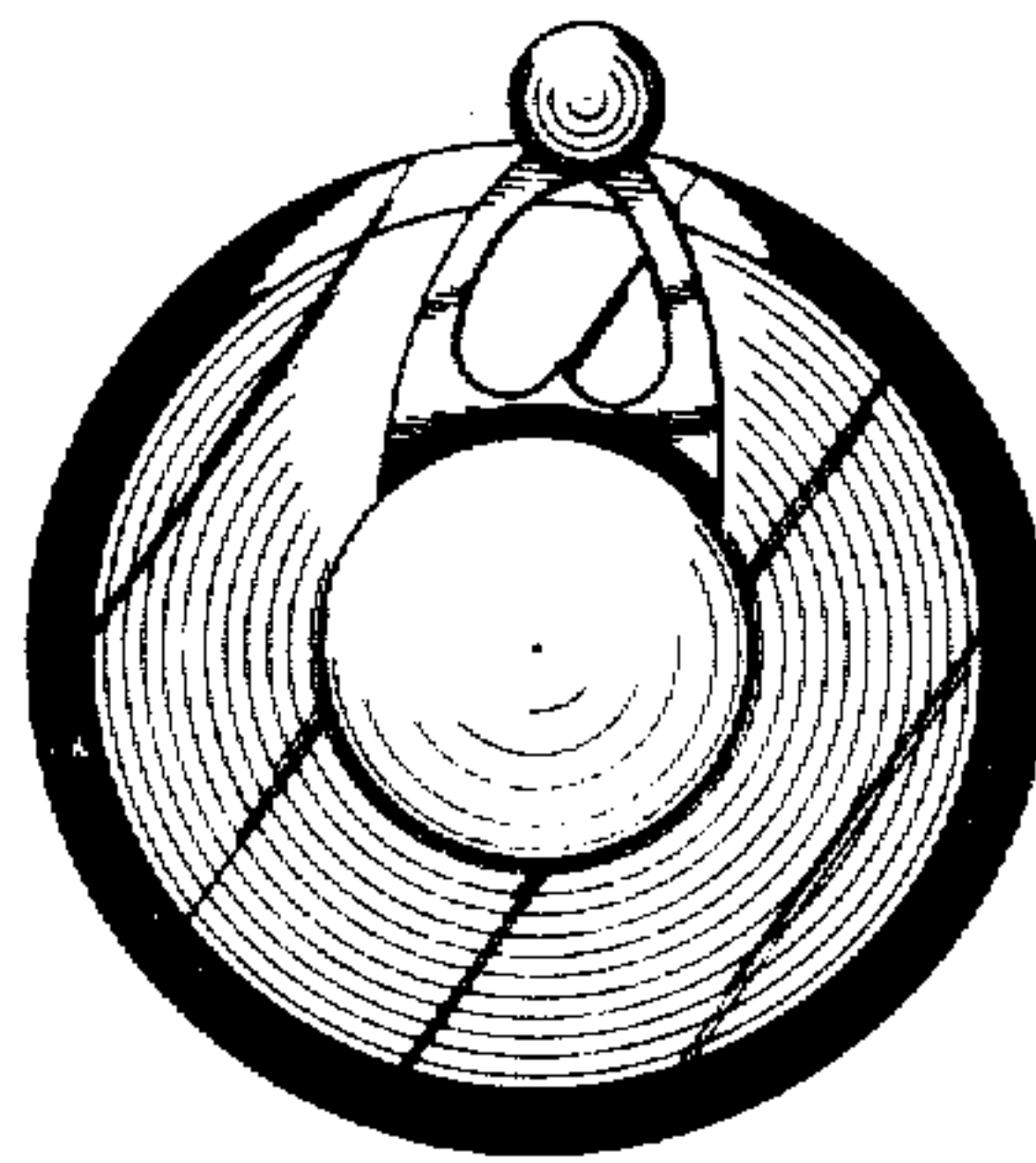
FIG. 2 is a bottom plan view thereof;

FIG. 3 is a side elevational view thereof;

FIG. 4 is a side elevational view thereof taken from the side opposite to that of FIG. 3; and

FIG. 5 is a side elevational view thereof taken at 90° to the views of FIGS. 3 & 4.

The side opposite to that shown in FIG. 5 is the mirror image thereof.



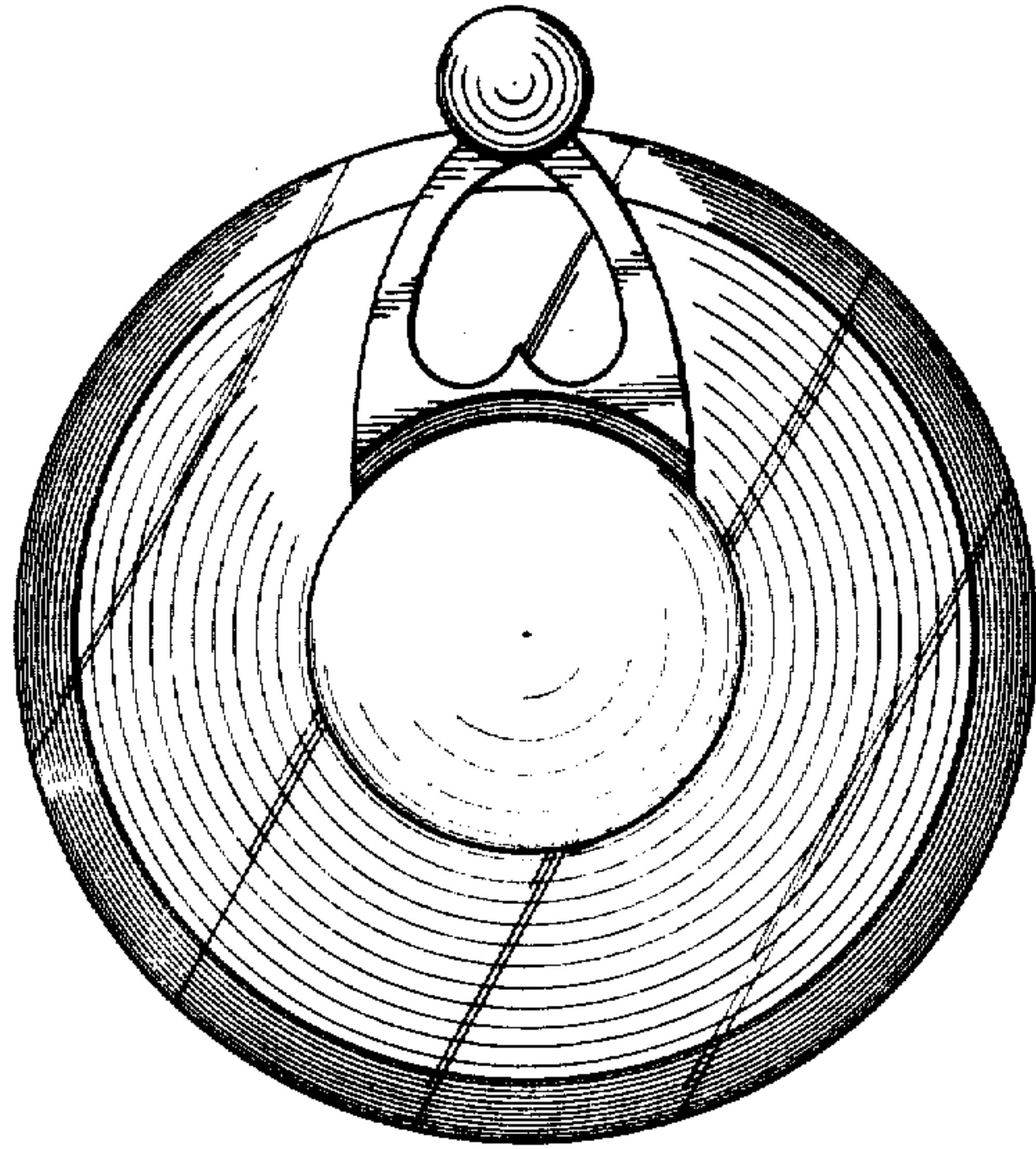


FIG. 1

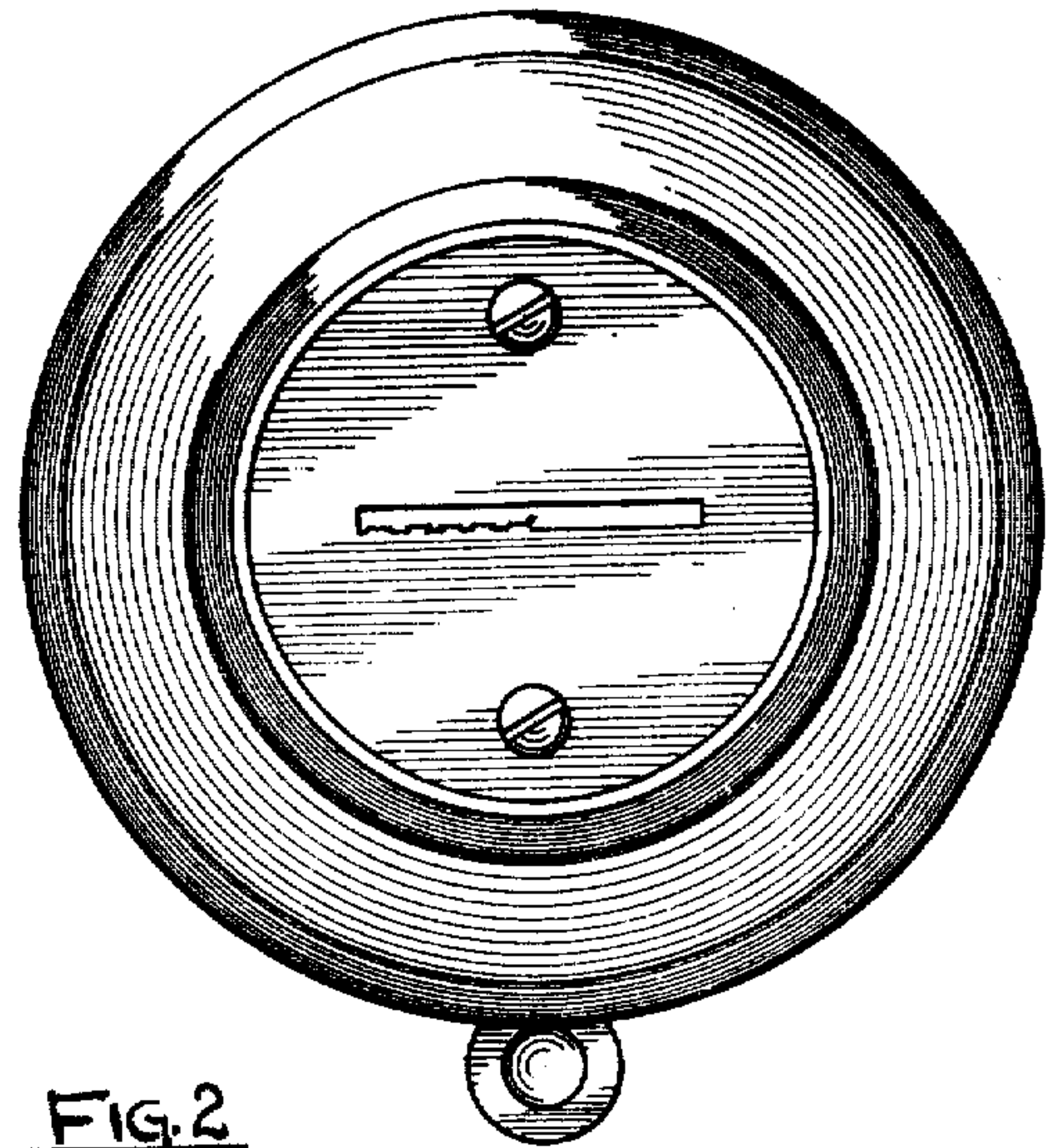


FIG. 2

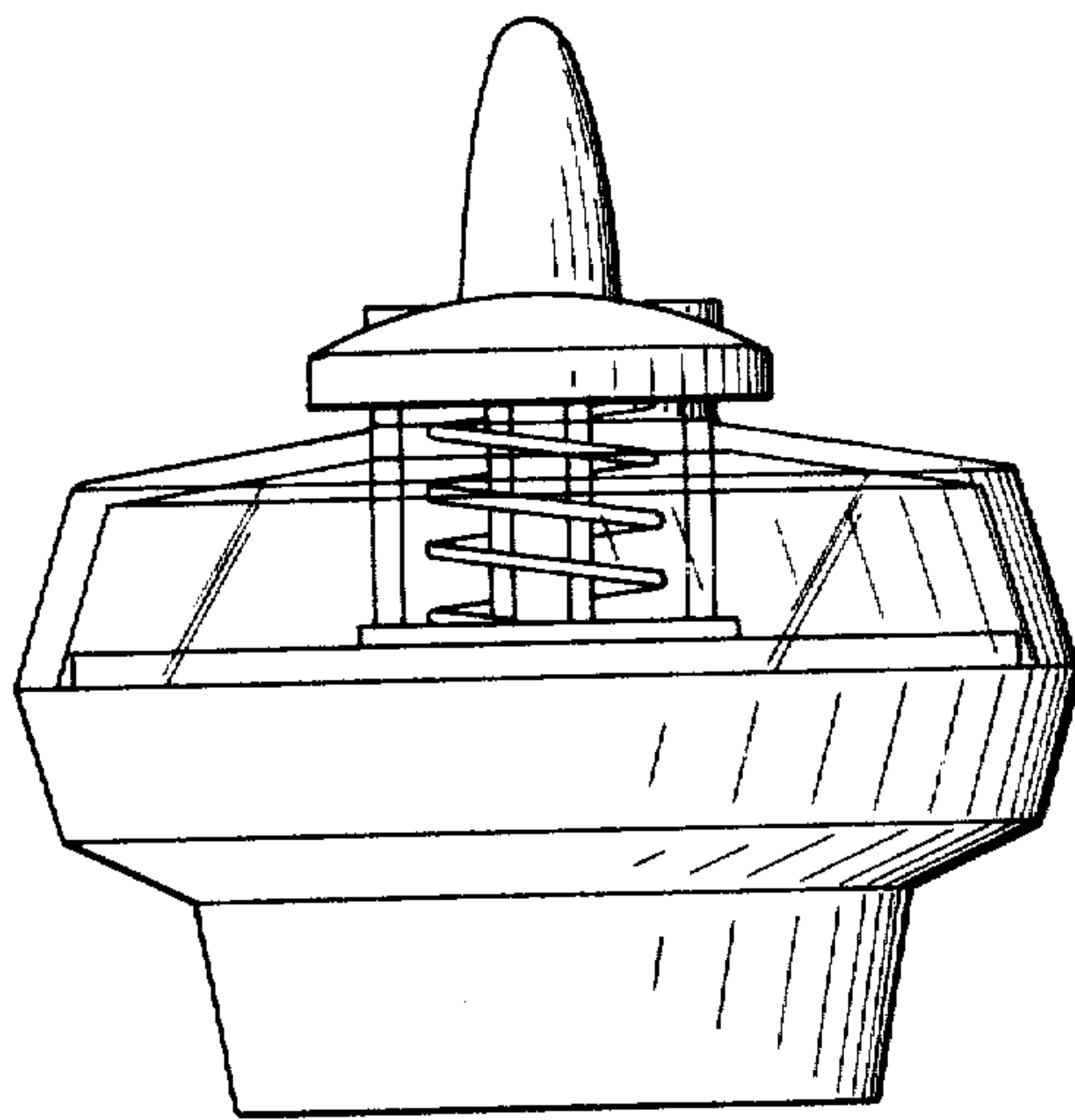


FIG. 3

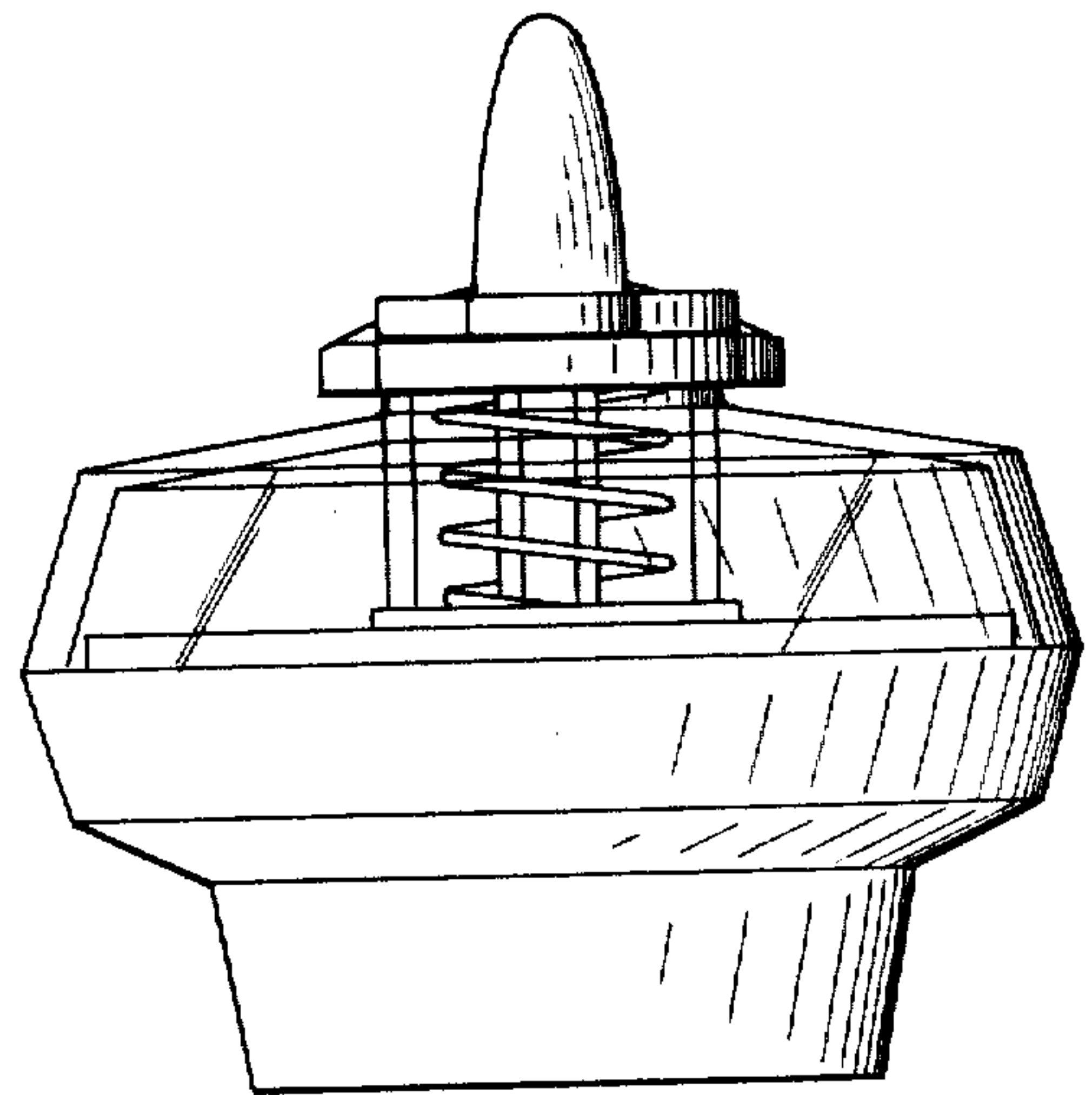


FIG. 4

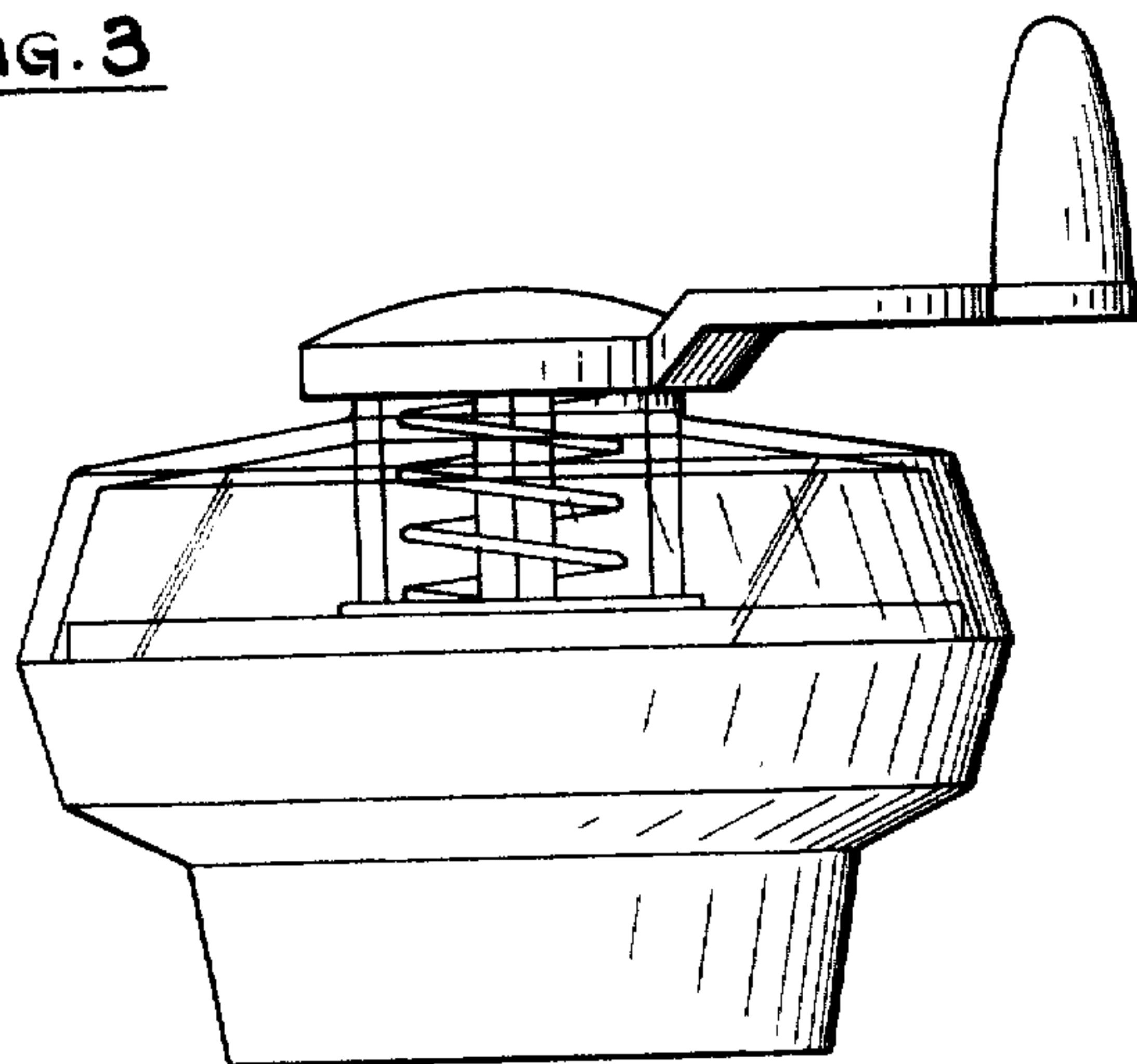


FIG. 5