

[54] **CONDIMENT MILL**

[75] Inventor: **David A. Cowan**, London, England

[73] Assignee: **Cole & Mason, USA, Ltd.**, Great Neck, N.Y.

[**] Term: **14 Years**

[21] Appl. No.: **173,845**

[22] Filed: **Jul. 30, 1980**

[30] **Foreign Application Priority Data**

Jan. 31, 1980 [GB] United Kingdom 993381

[51] Int. Cl. **D07-06**

[52] U.S. Cl. **D7/53**

[58] Field of Search **D7/52, 53, 54, 55, 57, D7/79; D9/352, 353, 365, 366, 396, 411**

[56] **References Cited**

U.S. PATENT DOCUMENTS

D. 236,936	9/1975	Achenbach	D7/79
D. 244,505	5/1977	Bounds	D7/53
D. 259,089	5/1981	Cowan	D7/53
2,717,619	9/1955	Whitman	150/0.5

OTHER PUBLICATIONS

Crockery & Glass Journal, Jul., 1946, p. 14, DuPont's Crystal Acrylic Shakers at bottom r.

House Beautiful, Nov. 1960, p. 103, r. center panel, Pepper Mill—"Accent"—Walnut.

Primary Examiner—Winifred E. Herrmann

Attorney, Agent, or Firm—Darby & Darby

[57] **CLAIM**

The ornamental design for a condiment mill, substantially as shown.

DESCRIPTION

FIG. 1 is a side elevational view of a condiment mill showing my new design;

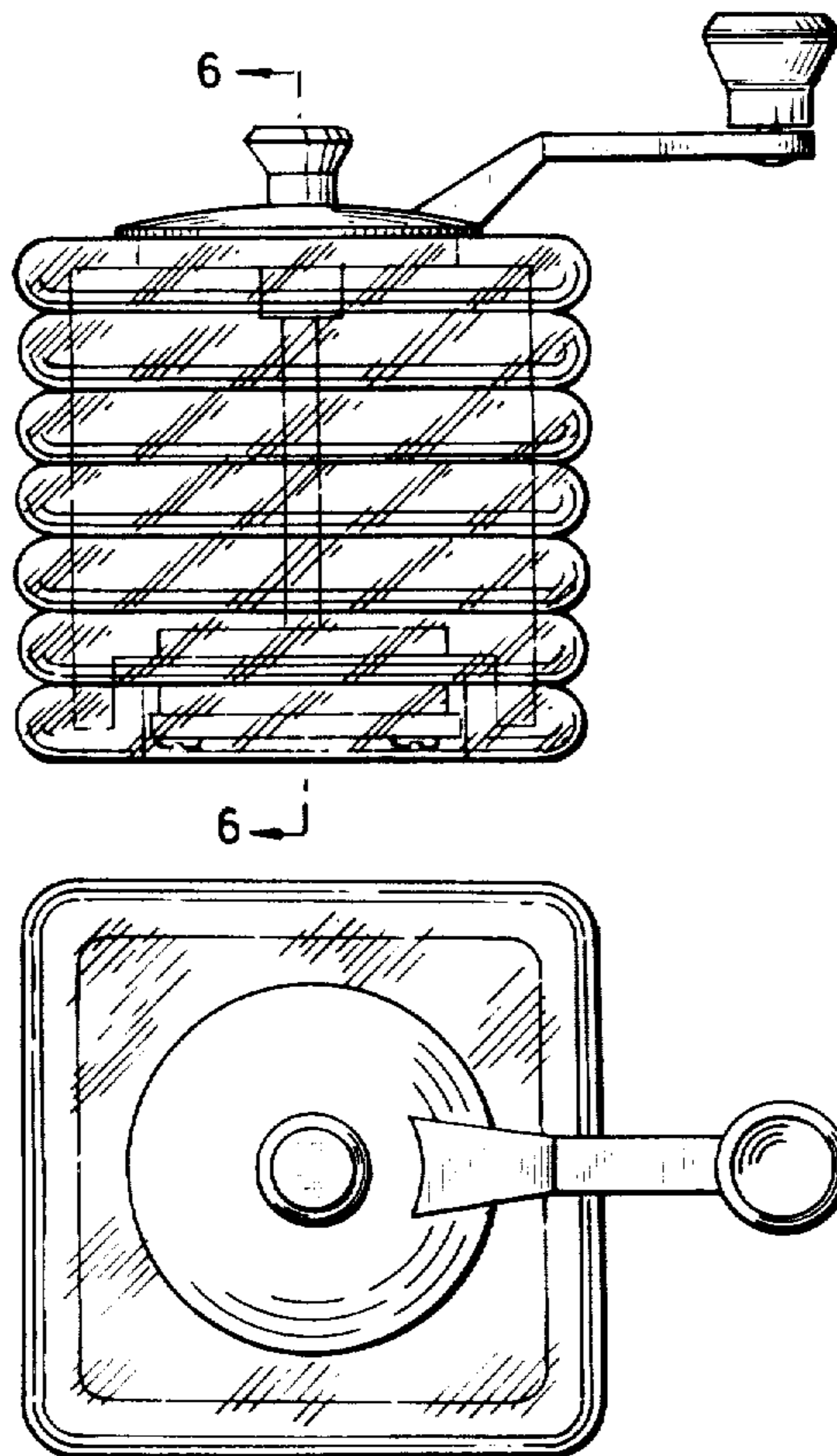
FIG. 2 is a top plan view thereof;

FIG. 3 is a bottom plan view thereof;

FIG. 4 is a side elevational view thereof, at right angles to the view of FIG. 1;

FIG. 5 is a side elevational view from the side opposite the side shown in FIG. 4; and

FIG. 6 is a sectional view along the line 6—6 of FIG. 1 and looking in the direction of the arrows.



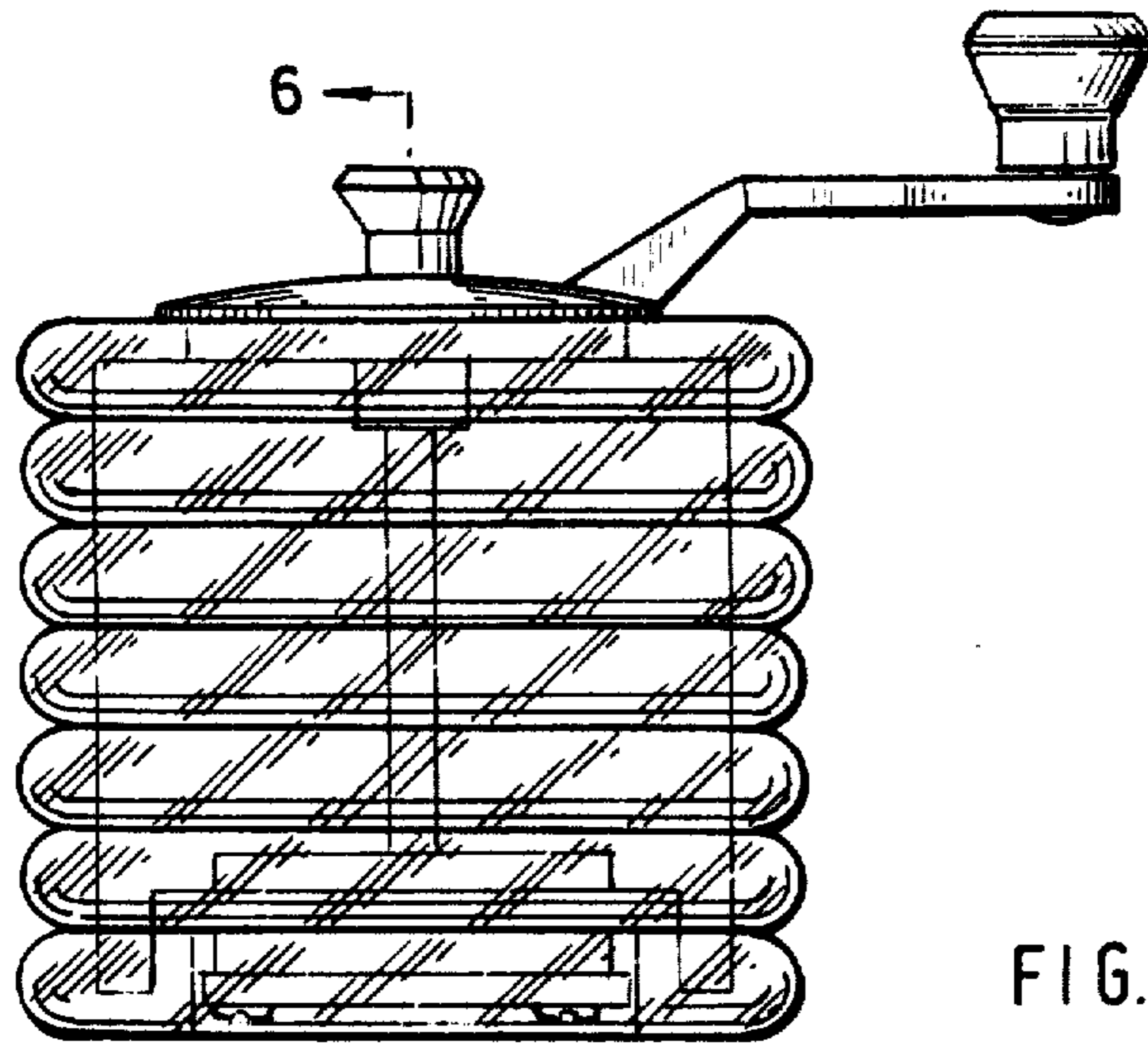


FIG. 1.

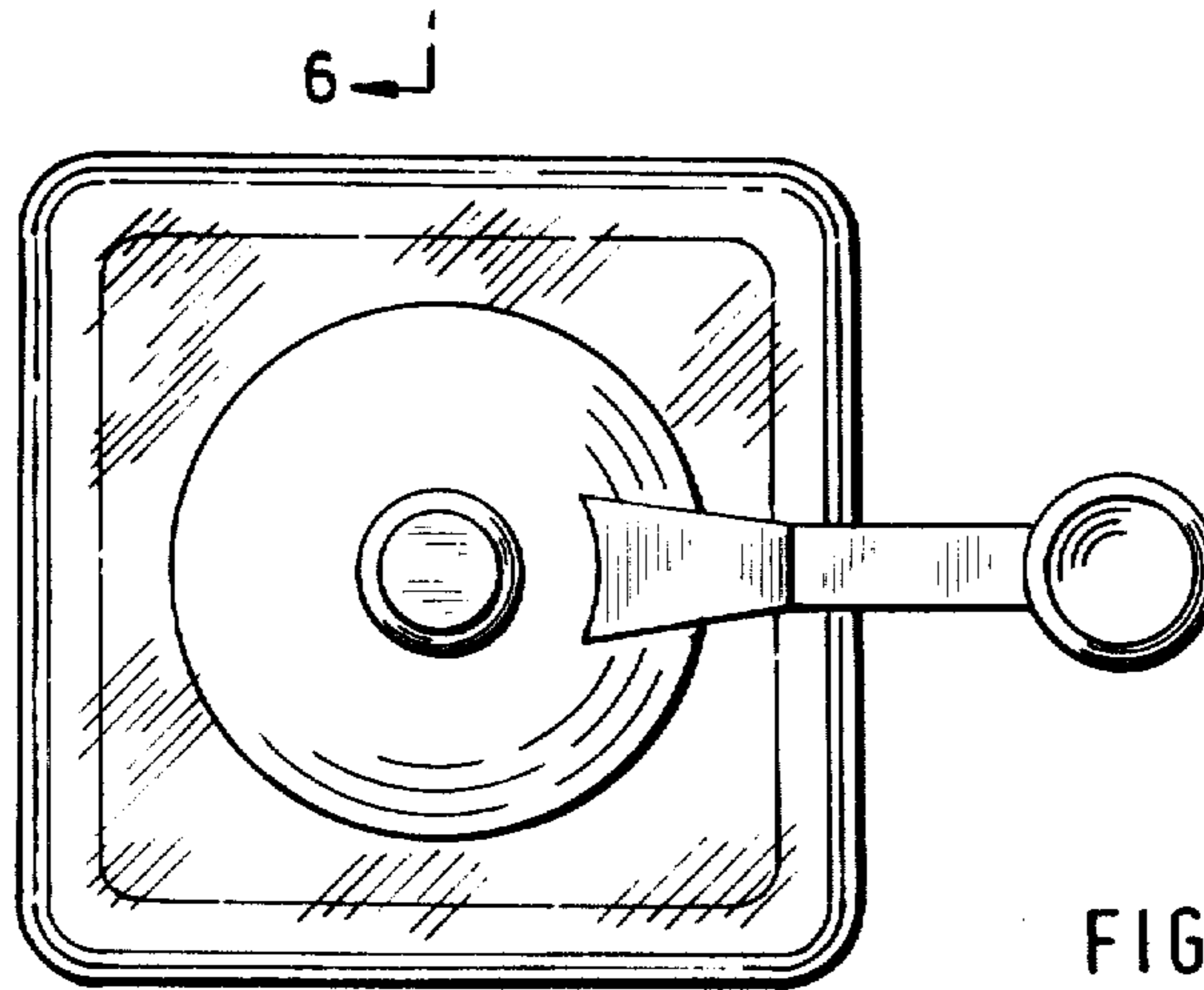


FIG. 2.

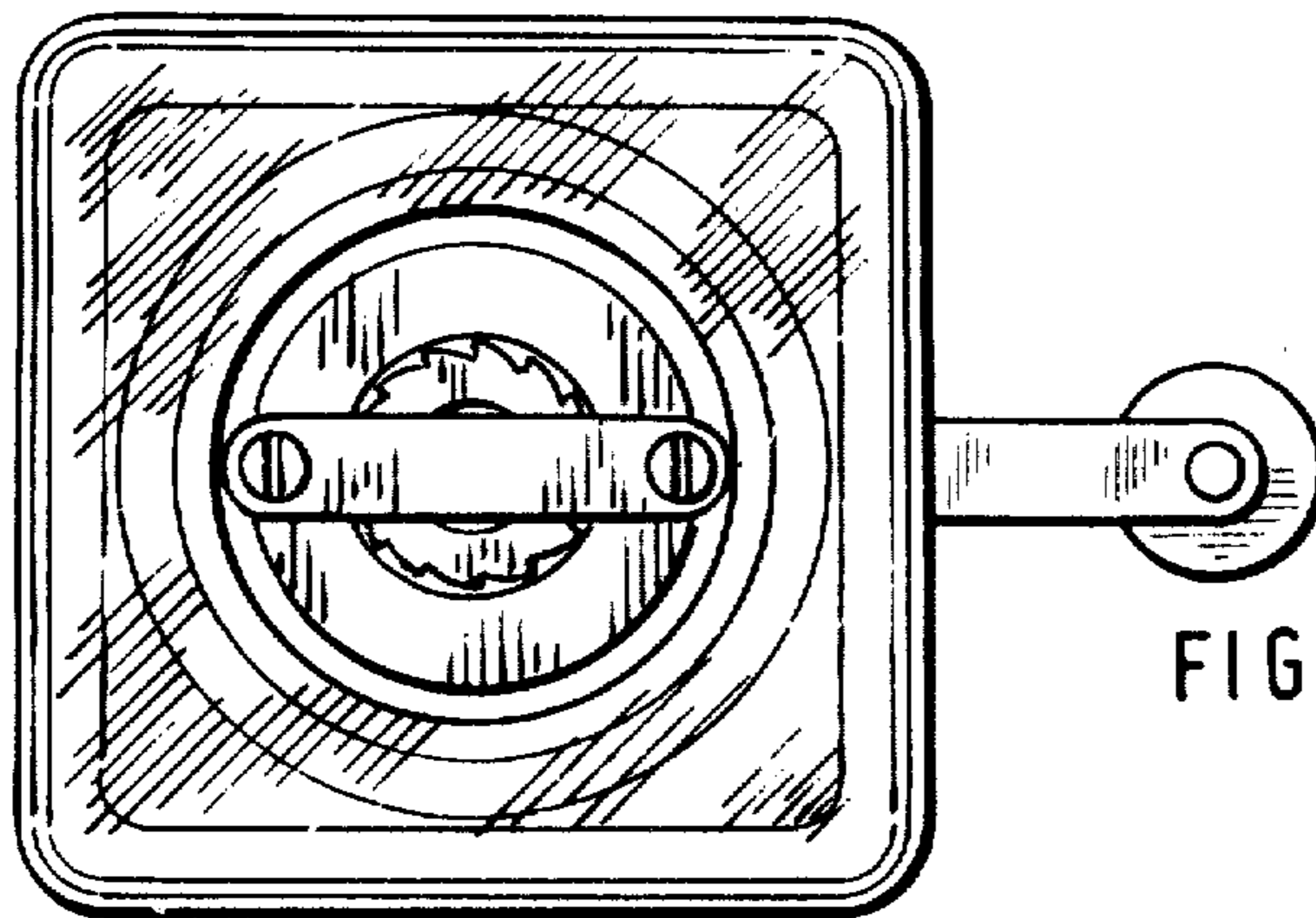


FIG. 3.

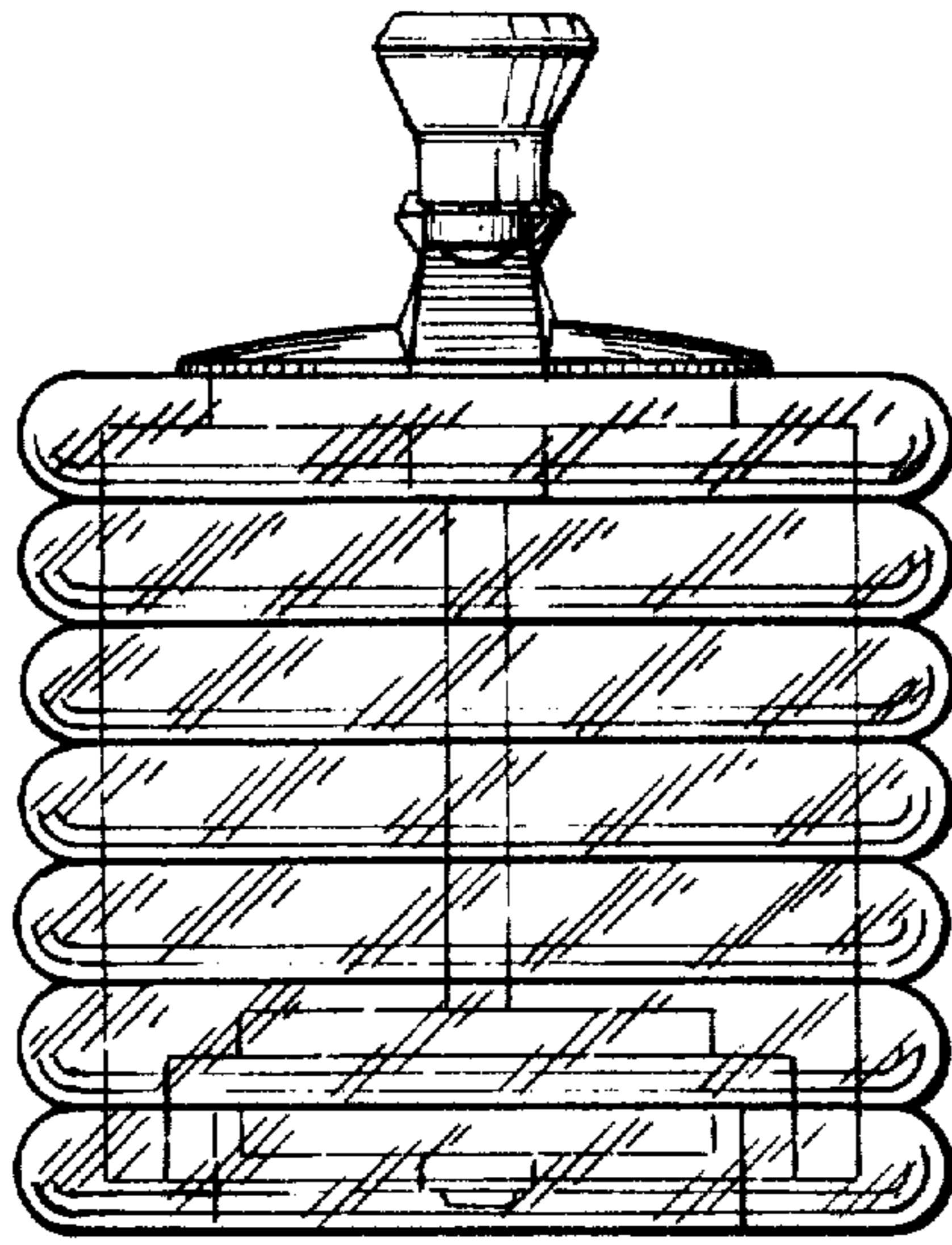


FIG. 4 .

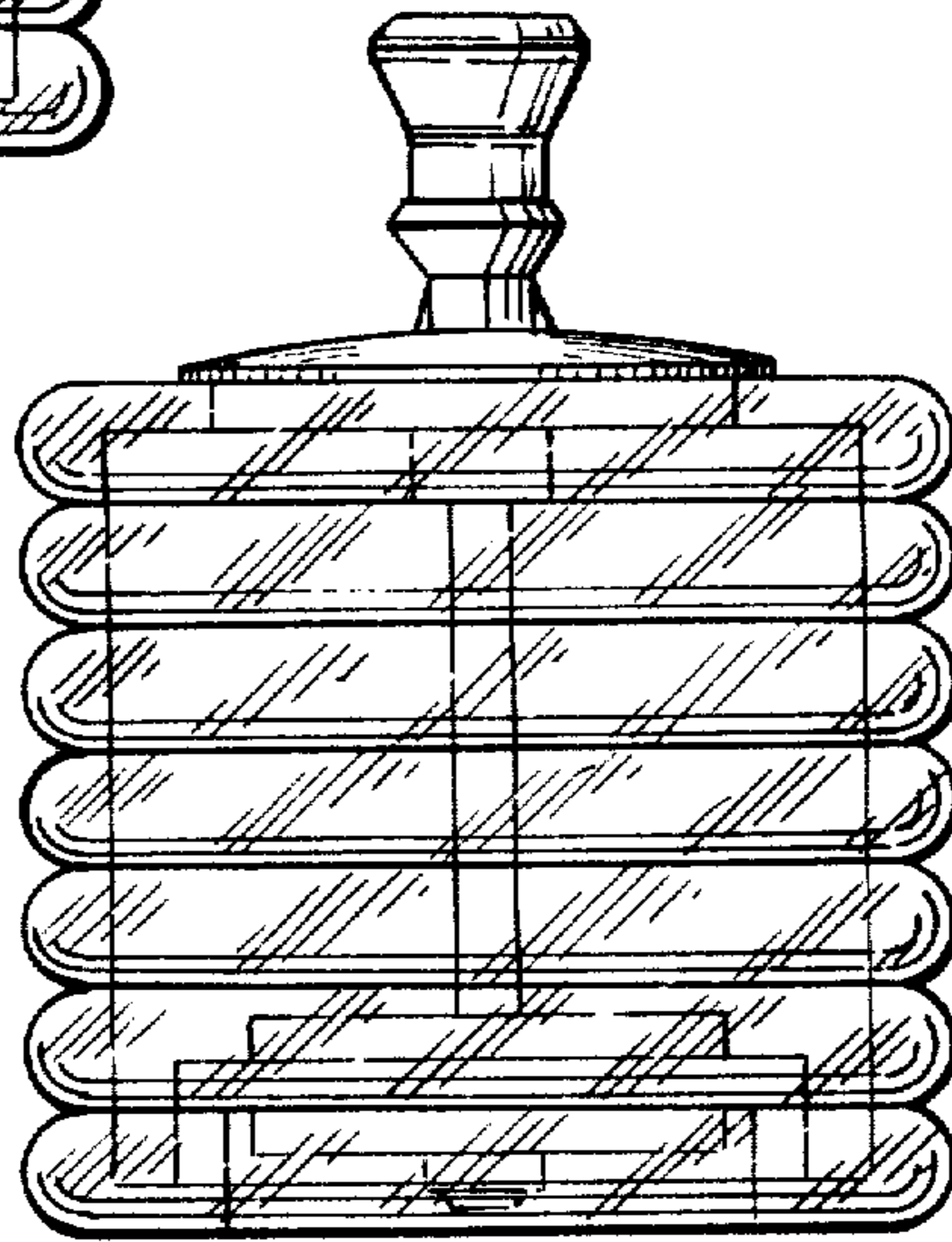


FIG. 5 .

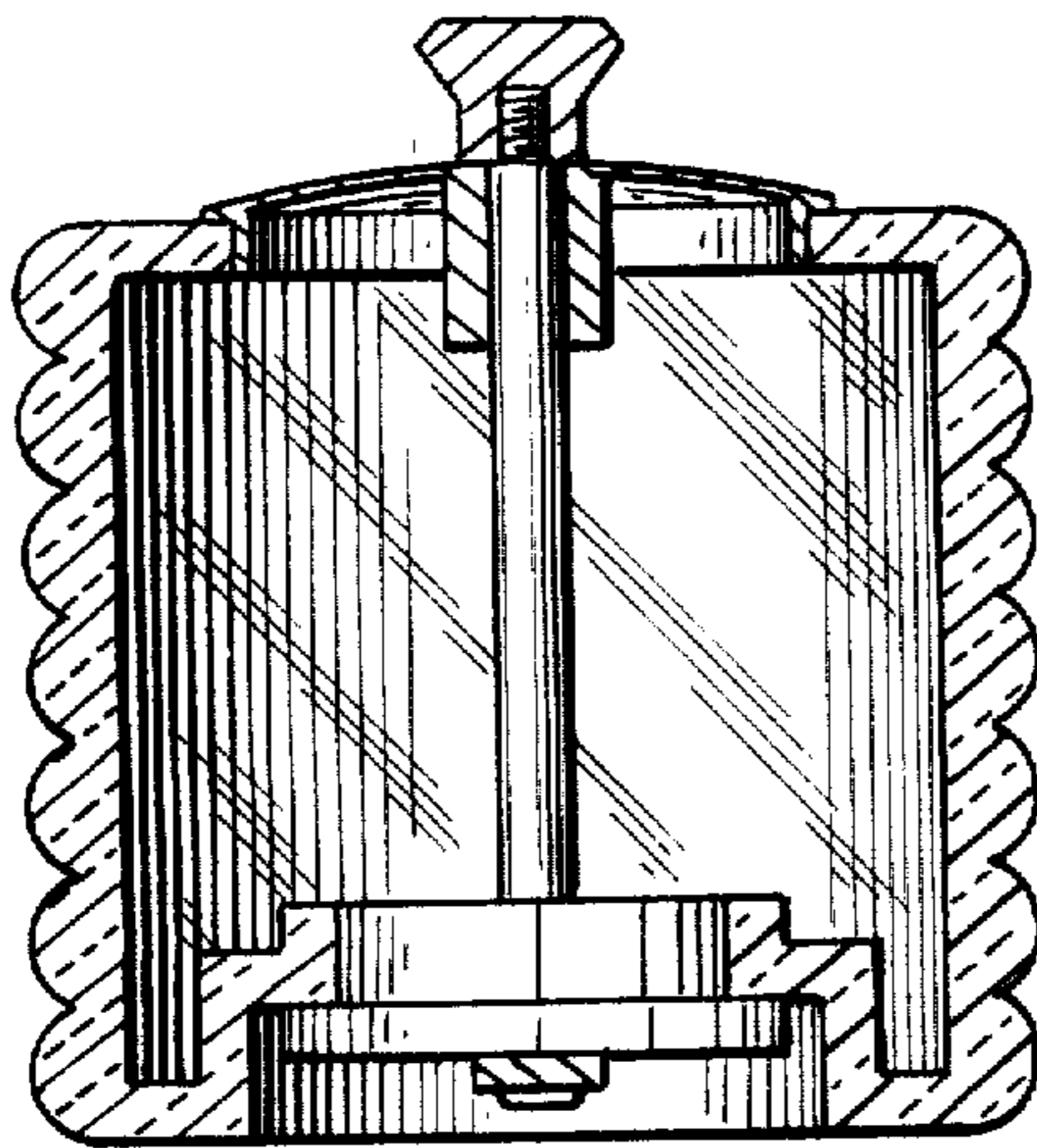


FIG. 6 .