

[54] CHILD'S ROCKING CHAIR OR SIMILAR ARTICLE

[76] Inventor: Robert E. Gentry, 7504 Deer Tract Dr., Raleigh, N.C. 27612

[**] Term: 14 Years

[21] Appl. No.: 227,516

[22] Filed: Jan. 22, 1981

[51] Int. Cl. D6-01

[52] U.S. Cl. D6/11

[58] Field of Search D6/5, 6, 7, 9, 10, 11, D6/12, 15, 49, 50, 68, 74; 297/258, 259

[56] References Cited

U.S. PATENT DOCUMENTS

D. 43,948	4/1913	Denis et al.	D6/11
D. 69,109	12/1925	Braun et al.	D6/11
D. 180,133	4/1957	Benson	D6/12

OTHER PUBLICATIONS

"The Smithsonian Associates" catalog, Xmas, 1977, p. 27, Child's Rocker, bottom center.

Primary Examiner—Bruce W. Dunkins
Attorney, Agent, or Firm—Mills & Coats

[57] CLAIM

The ornamental design for a child's rocking chair or similar article, as shown.

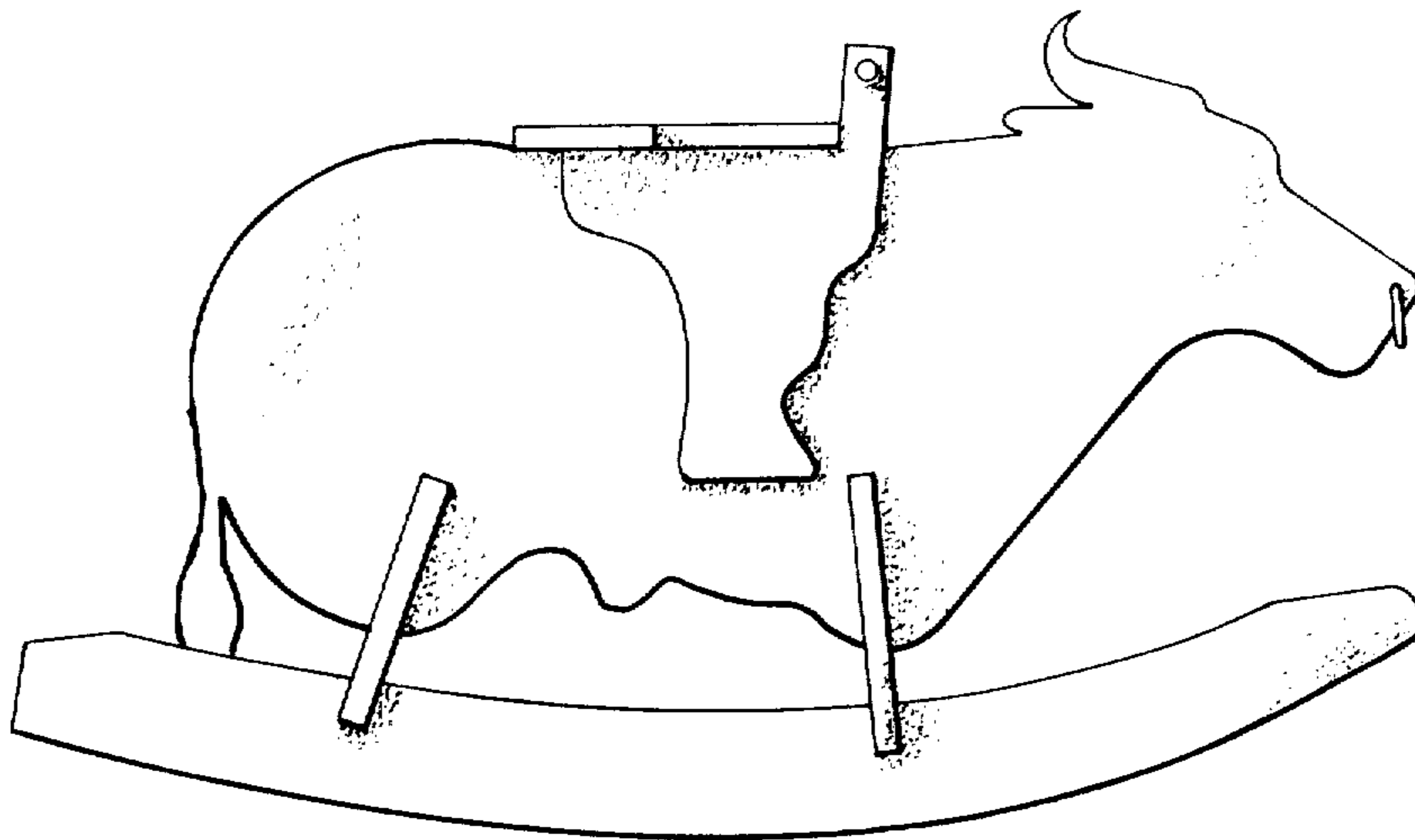
DESCRIPTION

FIG. 1 is a side elevational view of the rocking chair or similar article of the present invention.

FIG. 2 is a top plan view of the rocking chair or similar article of the present invention.

FIG. 3 is a rear elevational view of the rocking chair or similar article of the present invention.

FIG. 4 is a front elevational view of the rocking chair or similar article.



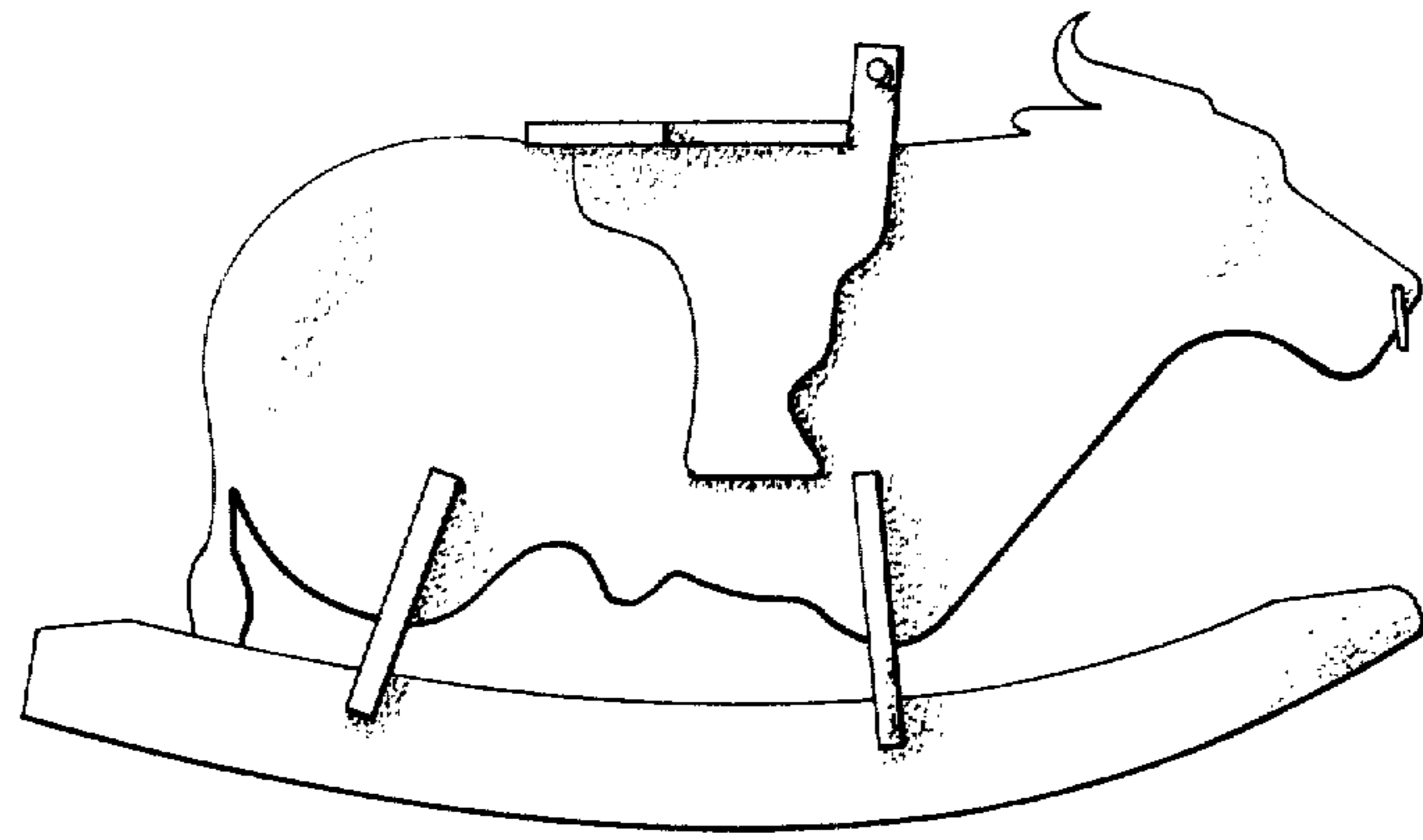


FIG. 1

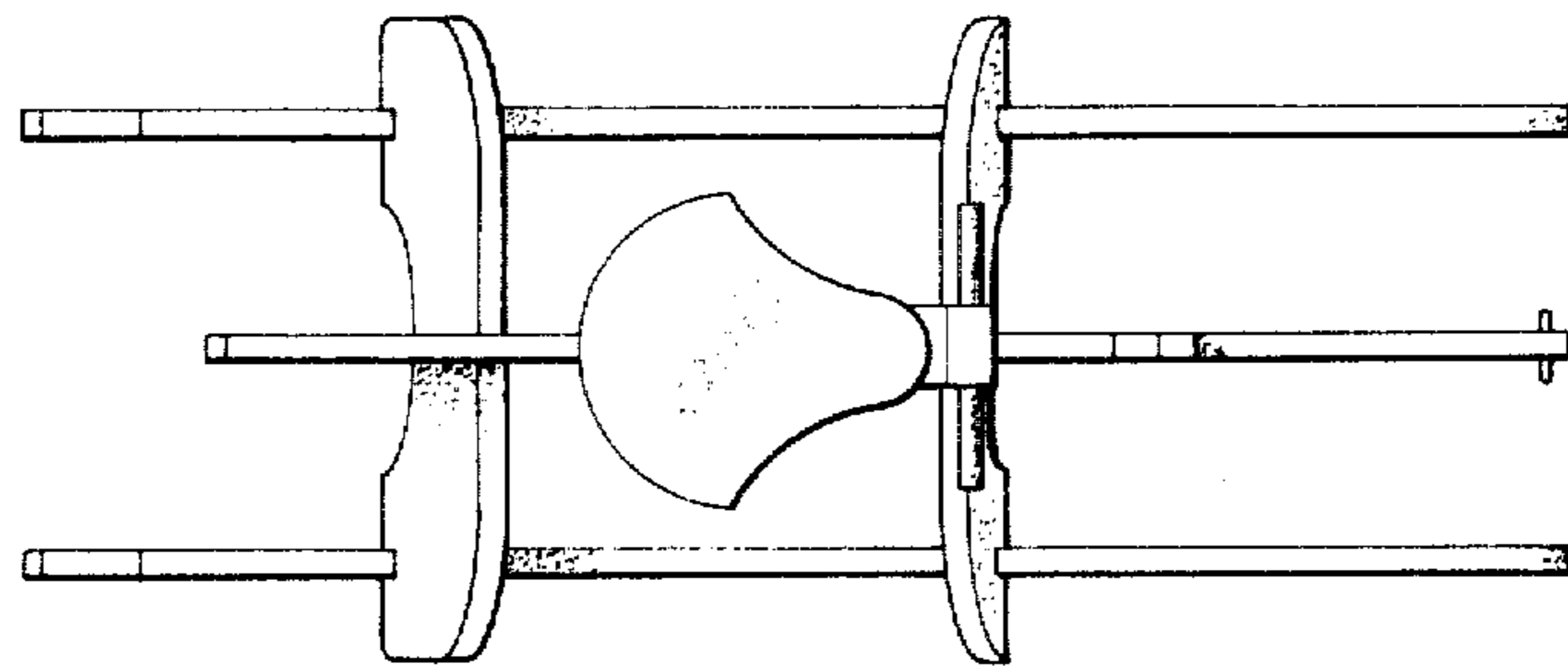


FIG. 2

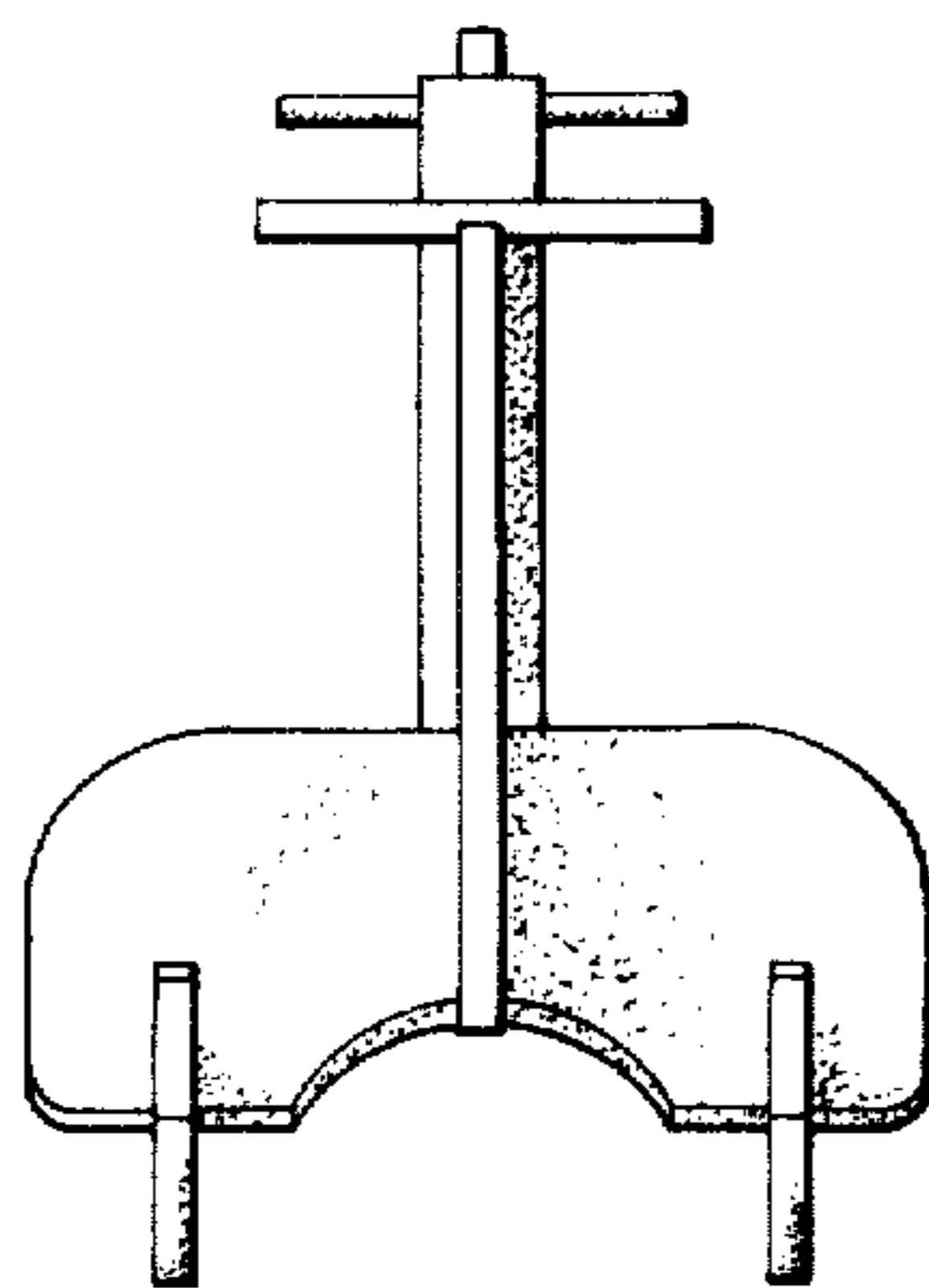


FIG. 3

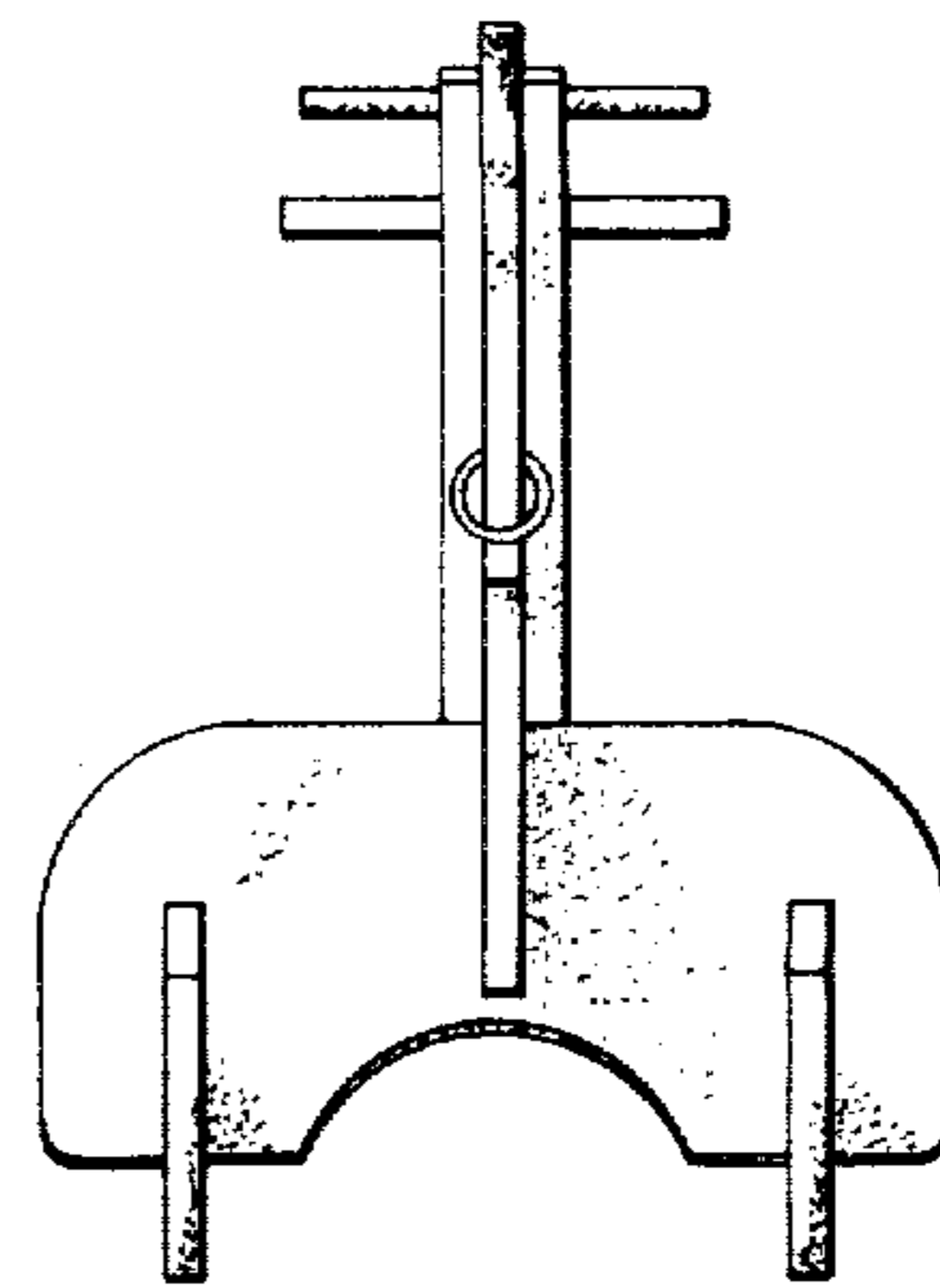


FIG. 4