

[54] LUGGAGE

[75] Inventor: Ted Stark, Jersey City, N.J.

[73] Assignee: M & M Luggage Co., Inc., Jersey City, N.J.

[**] Term: 14 Years

[21] Appl. No.: 231,424

[22] Filed: Feb. 4, 1981

[51] Int. Cl. D3-01

[52] U.S. Cl. D3/71; D3/76

[58] Field of Search D3/30.1, 48, 71, 76, D3/77, 74; 190/41 Z, 51, 52, 41 R, 43

[56] References Cited

U.S. PATENT DOCUMENTS

- D. 242,394 11/1976 Tweedie D3/71
- D. 256,594 8/1980 Tawil D3/76

OTHER PUBLICATIONS

Luggage & Travelware, 4/77, p. 24, left center.

Luggage & Travelware, 8/79, p. 14, bottom left.

Primary Examiner—George P. Word
Attorney, Agent, or Firm—Hubbell, Cohen, Stiefel & Gross

[57] CLAIM

The ornamental design for luggage, substantially as shown and described.

DESCRIPTION

FIG. 1 is a top plan view of luggage showing my new design;

FIG. 2 is a front elevational view thereof;

FIG. 3 is a right side elevational view thereof;

FIG. 4 is a rear elevational view.

FIG. 5 is a left side elevational view thereof.

FIG. 6 is a bottom plan view.

FIG. 7 is a perspective view of an alternate embodiment thereof which is identical to the embodiment shown in FIGS. 1 to 6 except that the entire luggage body has a smooth texture as opposed to the ribbed textures shown in FIGS. 1 to 6.



FIG. 1

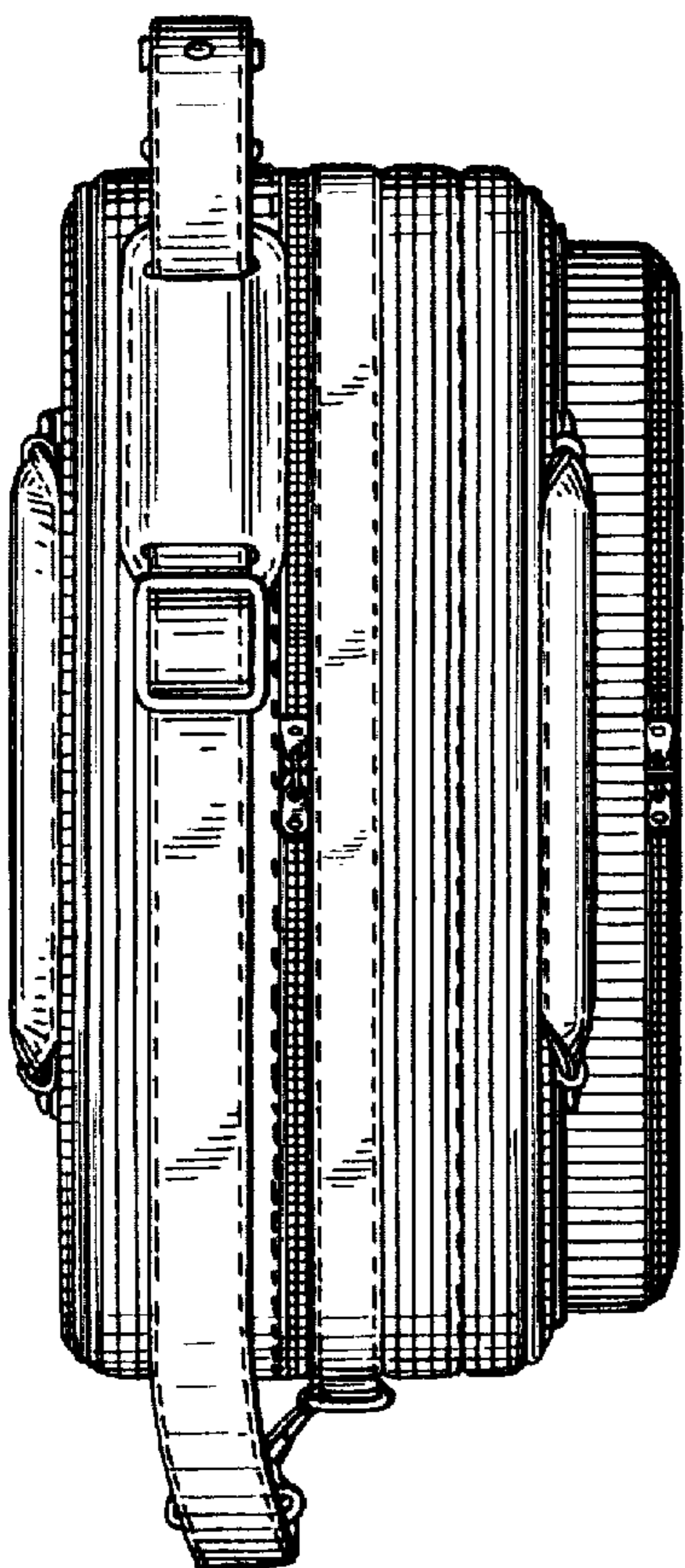


FIG. 3

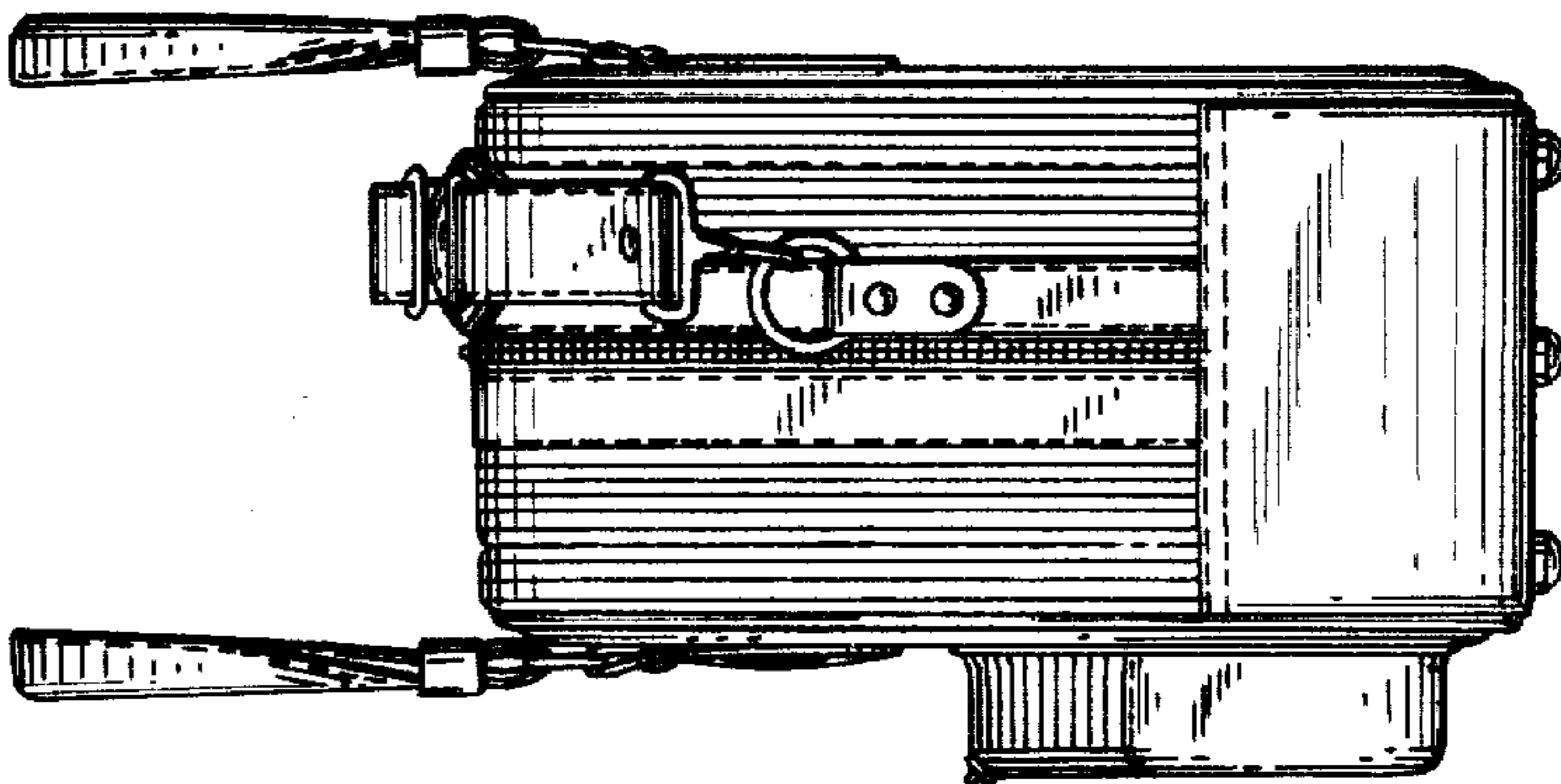
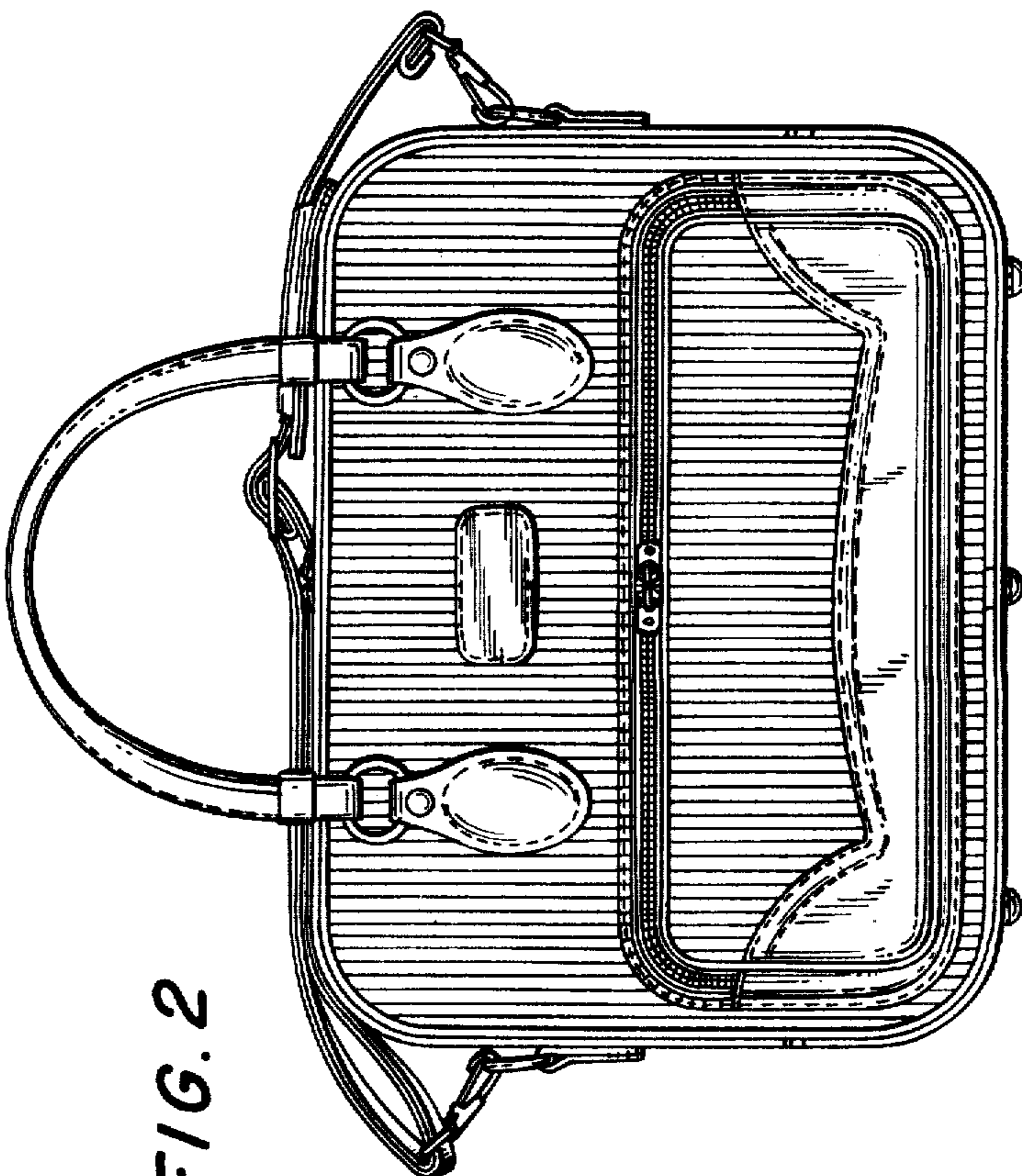


FIG. 2



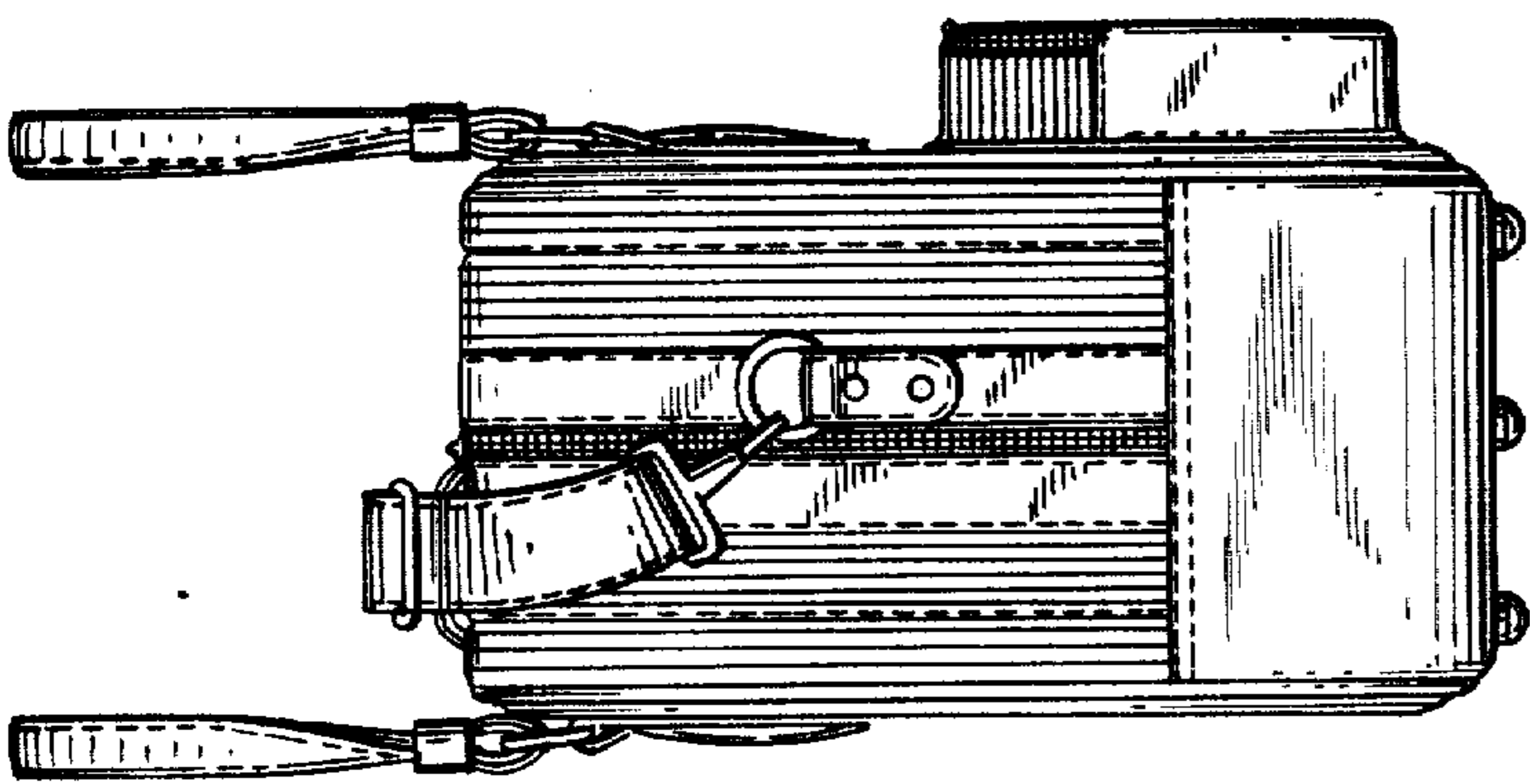


FIG. 5

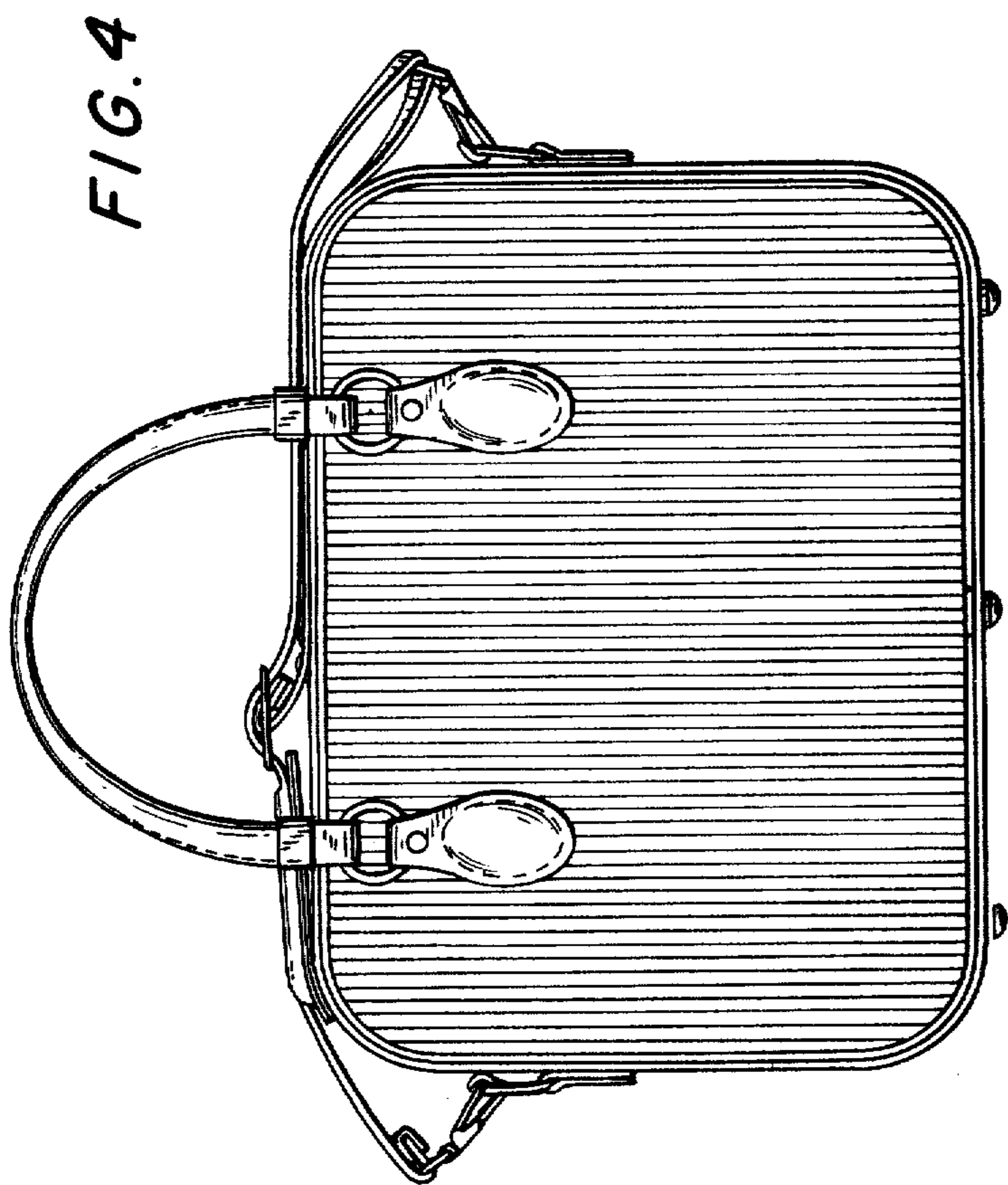


FIG. 4

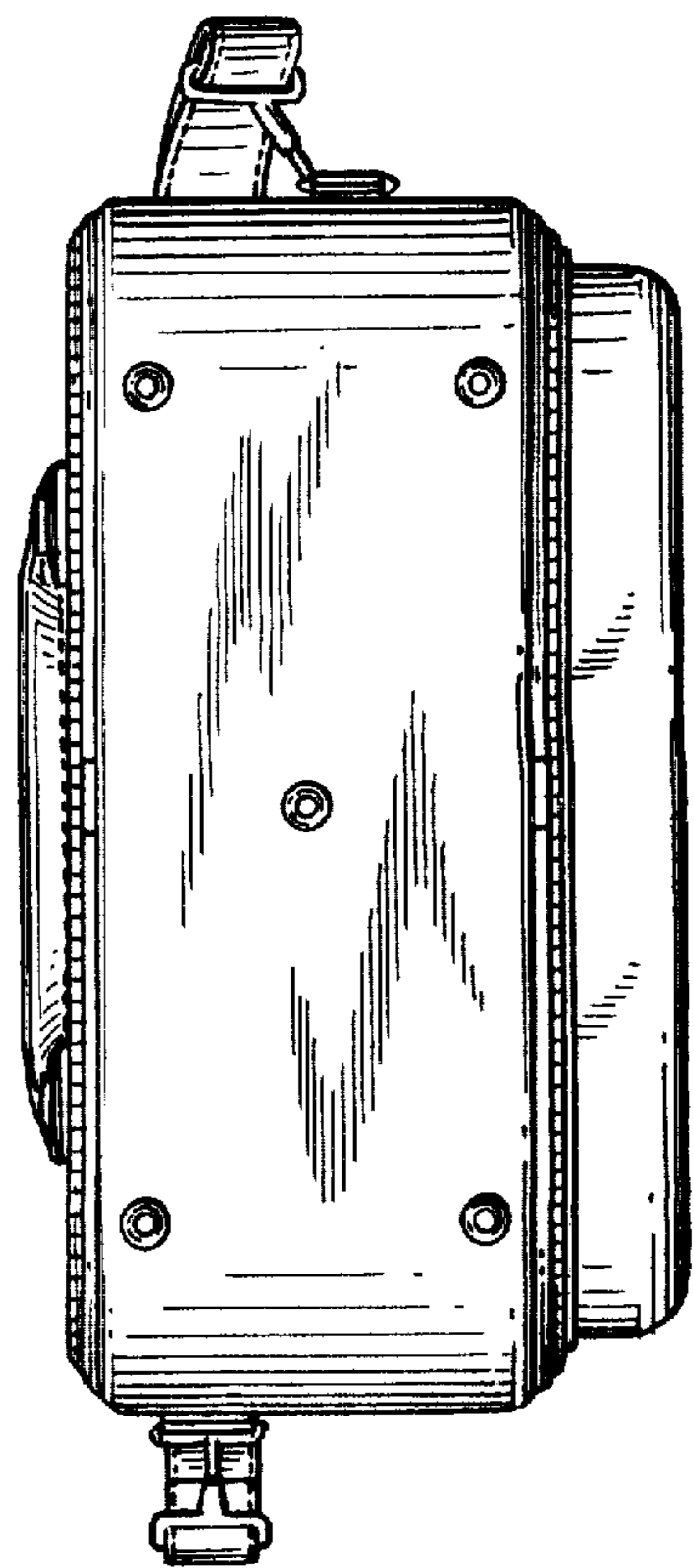


FIG. 6



FIG. 7