

[54] **MATERIALS HANDLING CART**

[75] **Inventor:** Charles P. Schreiner, Saugatuck, Mich.

[73] **Assignee:** Westinghouse Electric Corp., Pittsburgh, Pa.

[**] **Term:** 14 Years

[21] **Appl. No.:** 212,947

[22] **Filed:** Dec. 4, 1980

[51] **Int. Cl.** D12—02
[52] **U.S. Cl.** D34/21; D34/17
[58] **Field of Search** D12/17, 21; 280/79.1 R, 280/79.1 A, 79.3, 47.34, 47.35; 211/13, 60

[56]

References Cited

U.S. PATENT DOCUMENTS

3,734,526 5/1973 Propst et al. D34/21
3,873,115 3/1975 Shiflet 280/79.3

Primary Examiner—James M. Gandy
Attorney, Agent, or Firm—B. R. Studebaker

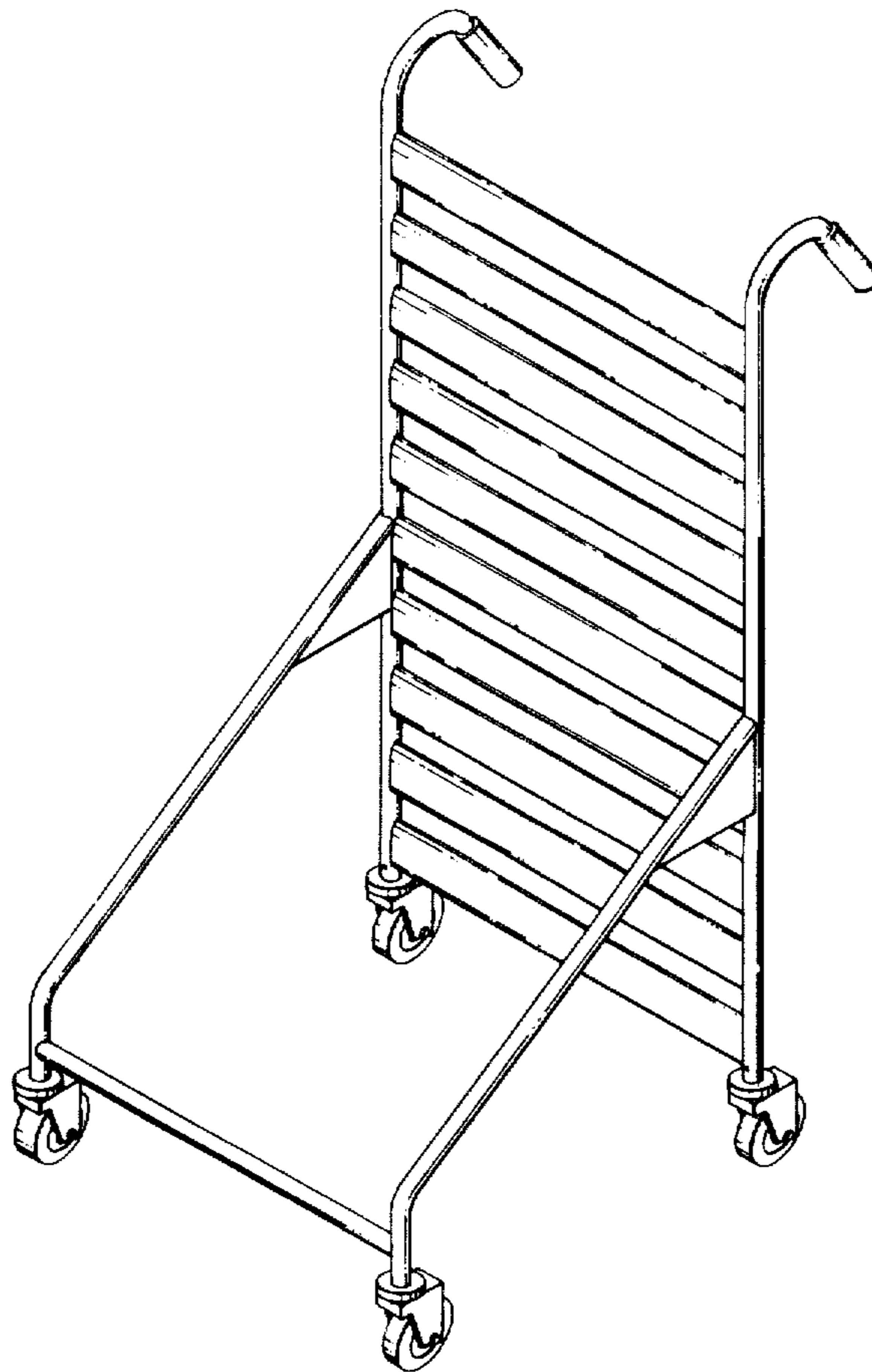
[57]

CLAIM

The ornamental design for a materials handling cart, substantially as shown and described.

DESCRIPTION

FIG. 1 is a perspective view of a materials handling cart illustrating my new design;
FIG. 2 is a front elevational view thereof;
FIG. 3 is a side elevational view thereof; and,
FIG. 4 is a top plan view thereof.



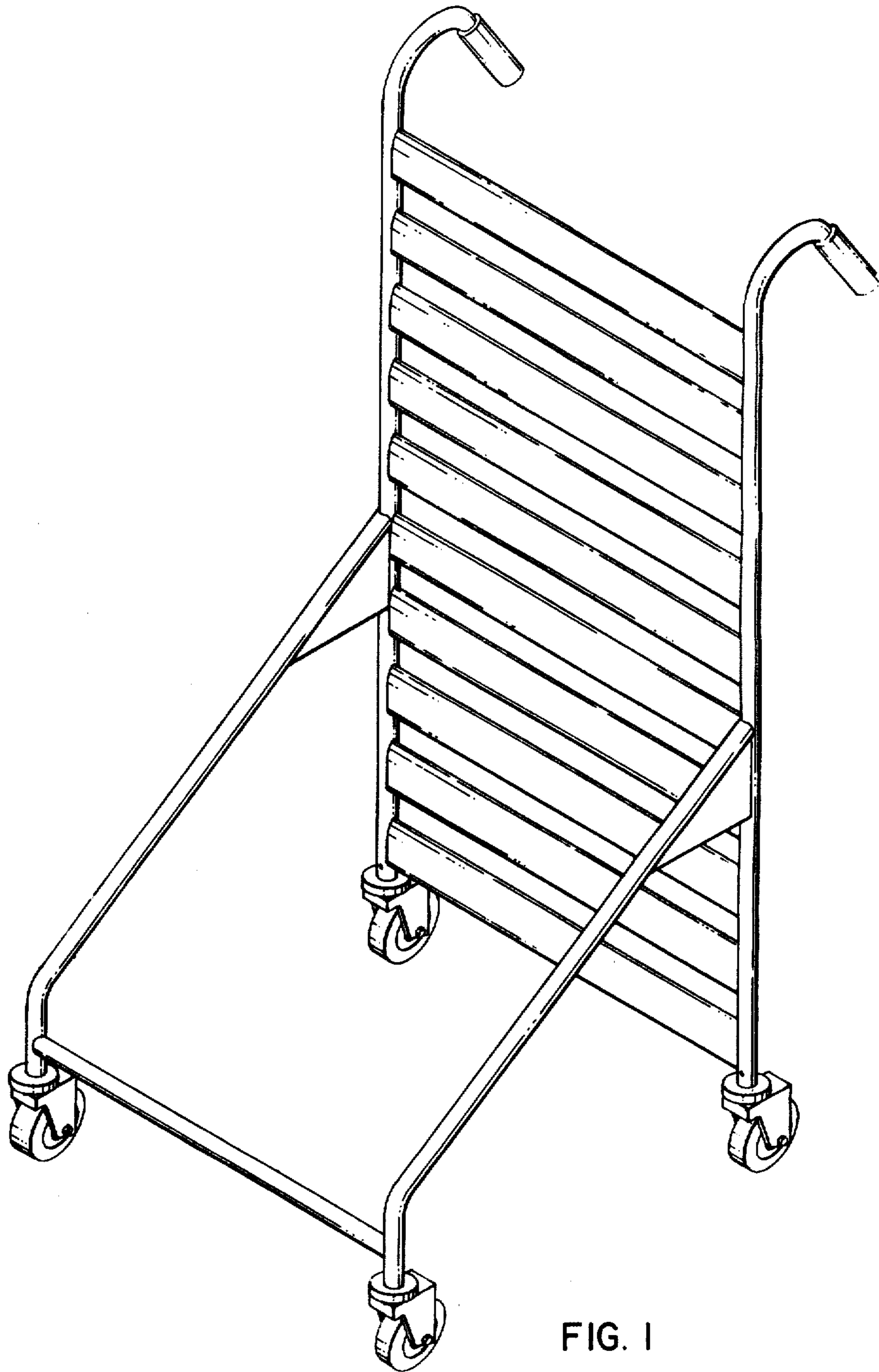


FIG. 1

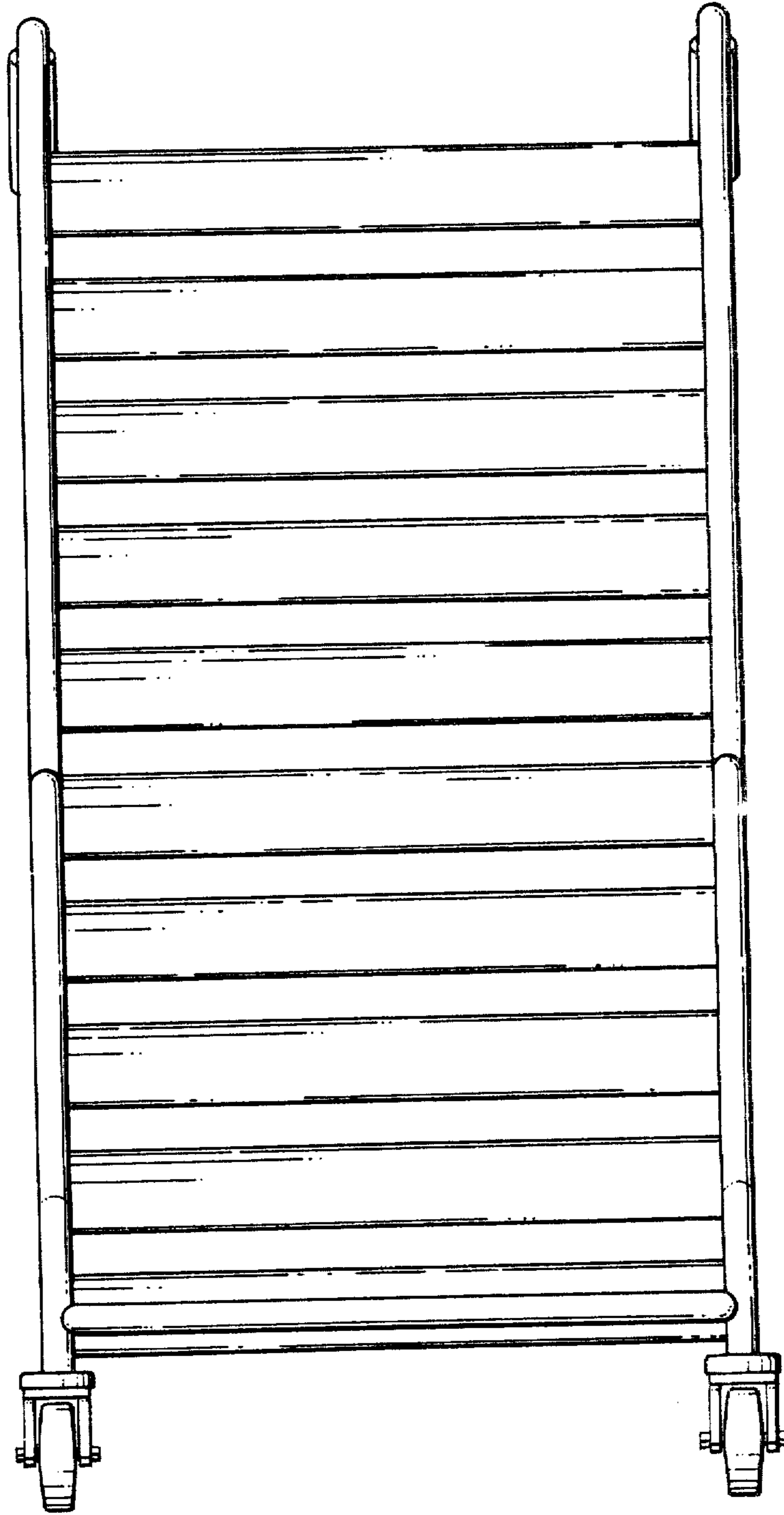


FIG. 2

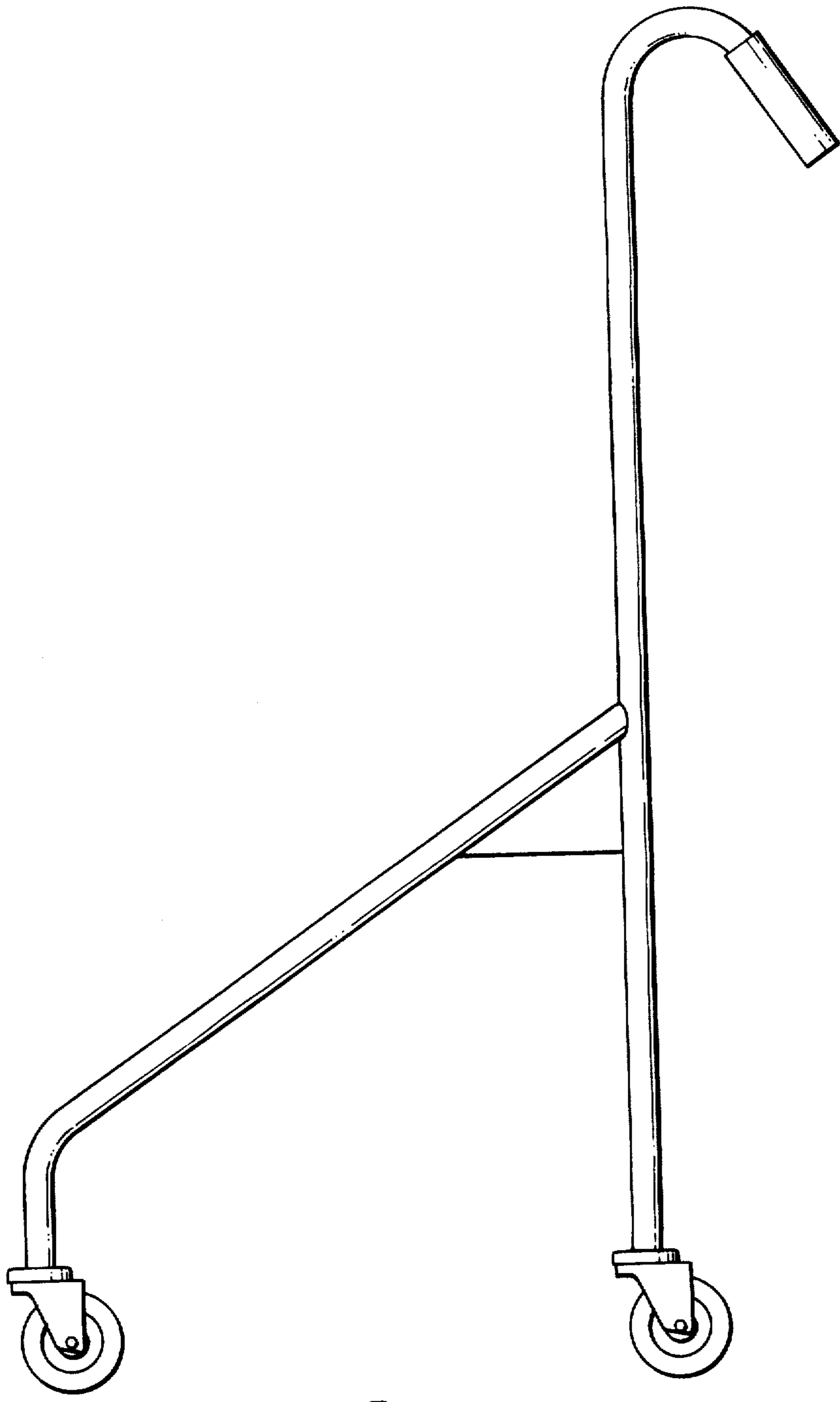


FIG. 3

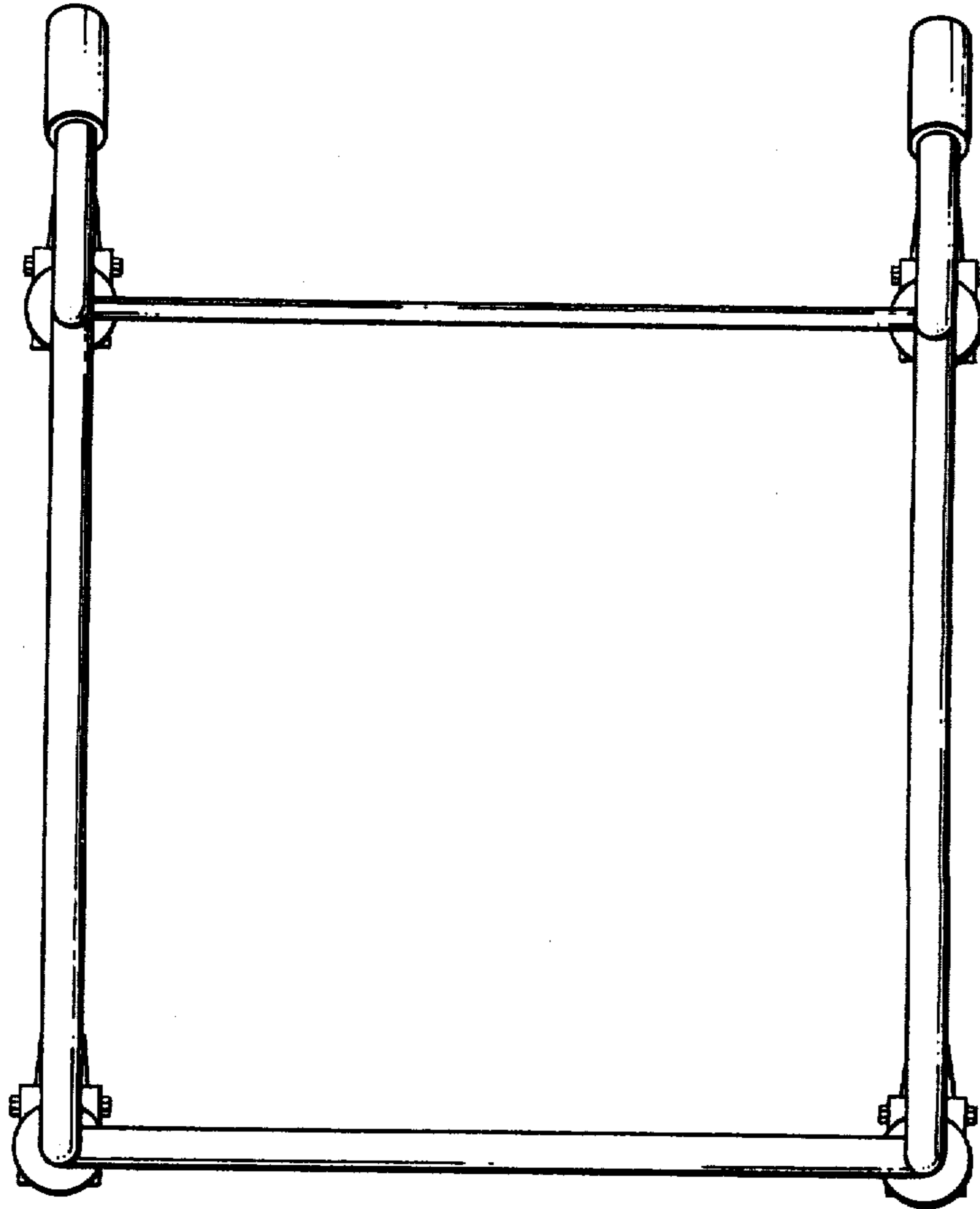


FIG. 4