

[54] **COMPACT**

[76] **Inventor:** Andrew Napolitane, 350 E. 52nd St.,
New York, N.Y. 10022

[**] **Term:** 14 Years

[21] **Appl. No.:** 233,984

[22] **Filed:** Feb. 12, 1981

[51] **Int. Cl.** D28—03

[52] **U.S. Cl.** D28/78; D28/83

[58] **Field of Search** D28/4, 9, 73, 99, 76-81,
D28/83, 84, 13, 67; D3/39; 132/79 R, 79 A, 79
C, 79 D, 79 F, 79 G, 82 R, 82 A, 82 C, 82 D,
82 F, 83 R, 83 B-83 F, ; 206/235, 823;
220/DIG. 26; 362/135-137; D9/337, 401, 444

[56] **References Cited**

U.S. PATENT DOCUMENTS

D. 202,536 10/1965 Cooper D28/13
D. 223,422 4/1972 Rams D28/13

D. 253,429 11/1979 Tomaro D28/67
D. 258,391 2/1981 Bohn D28/78
2,349,802 5/1944 McKnight D28/78 X

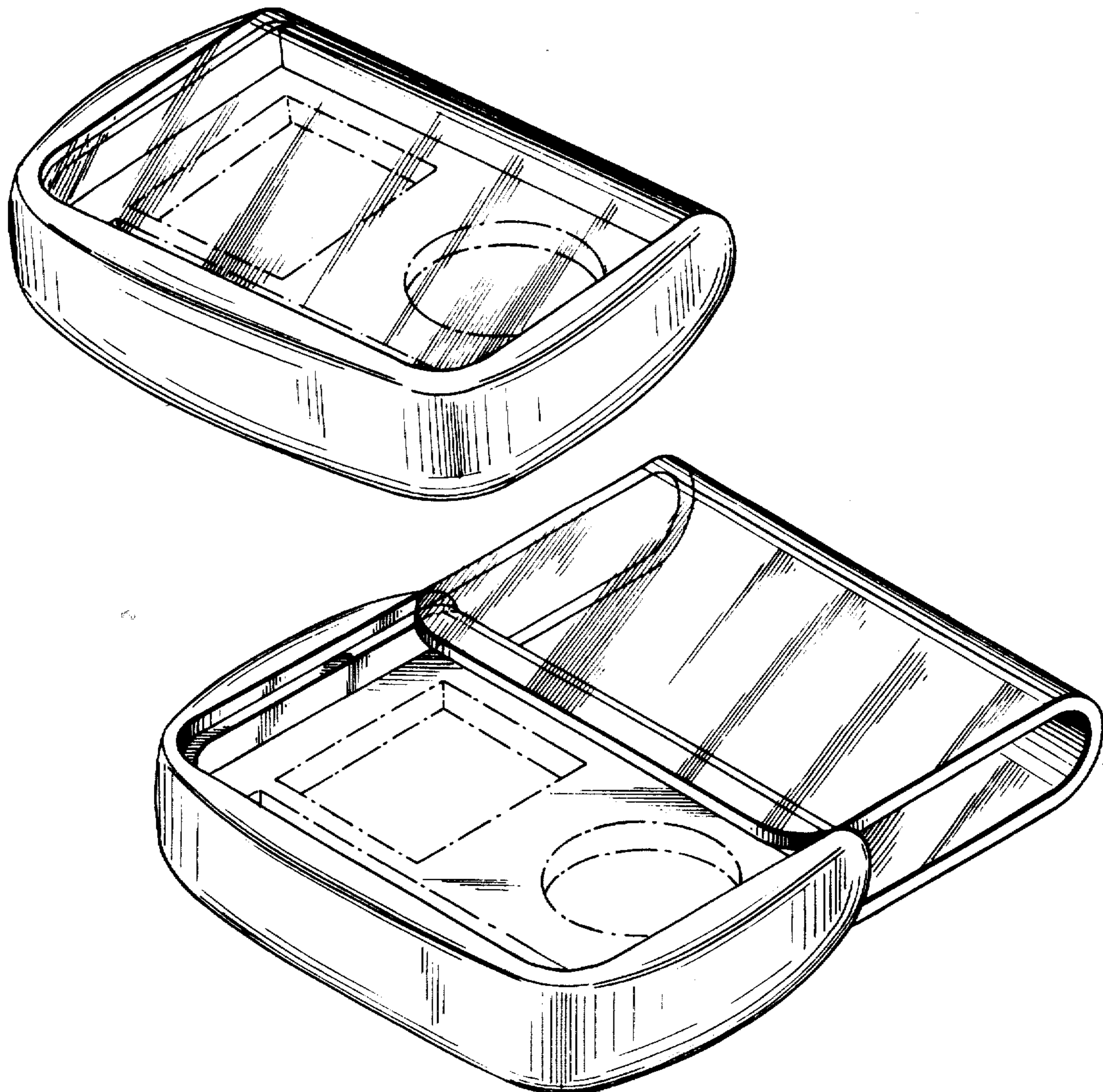
Primary Examiner—Louis S. Zarfes
Attorney, Agent, or Firm—Hedman, Casella, Gibson &
Costigan

[57] **CLAIM**

The ornamental design for a compact, as shown and
described.

DESCRIPTION

FIG. 1 is a perspective view of a compact showing my
new design in the closed position;
FIG. 2 is a perspective view of the compact showing
my new design in the open position;
FIG. 3 is a top plan view thereof;
FIG. 4 is a front elevational view thereof;
FIG. 5 is a side elevational view taken from the left of
FIG. 4;
FIG. 6 is a rear elevational view thereof; and
FIG. 7 is a bottom plan view thereof.



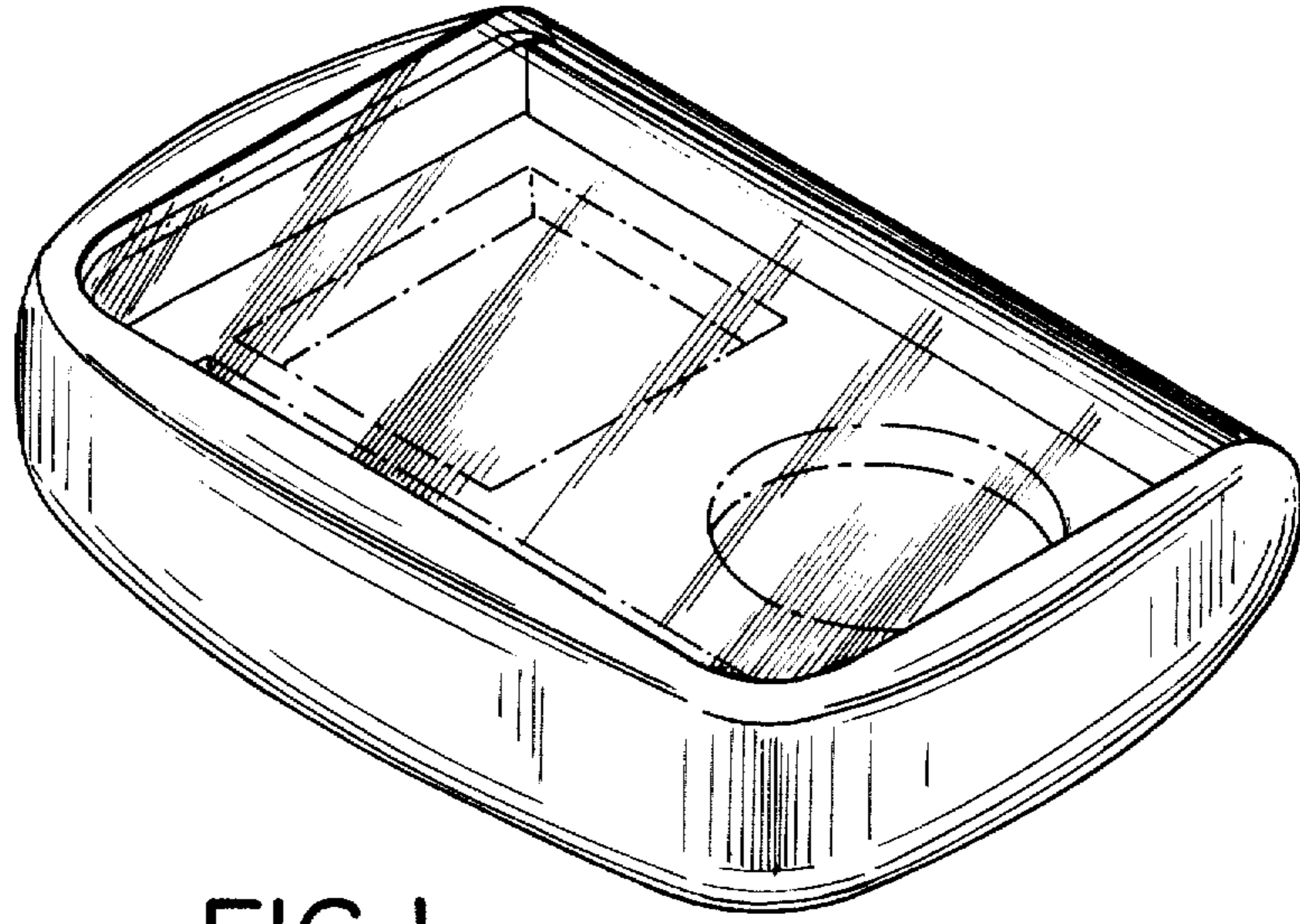


FIG. 1

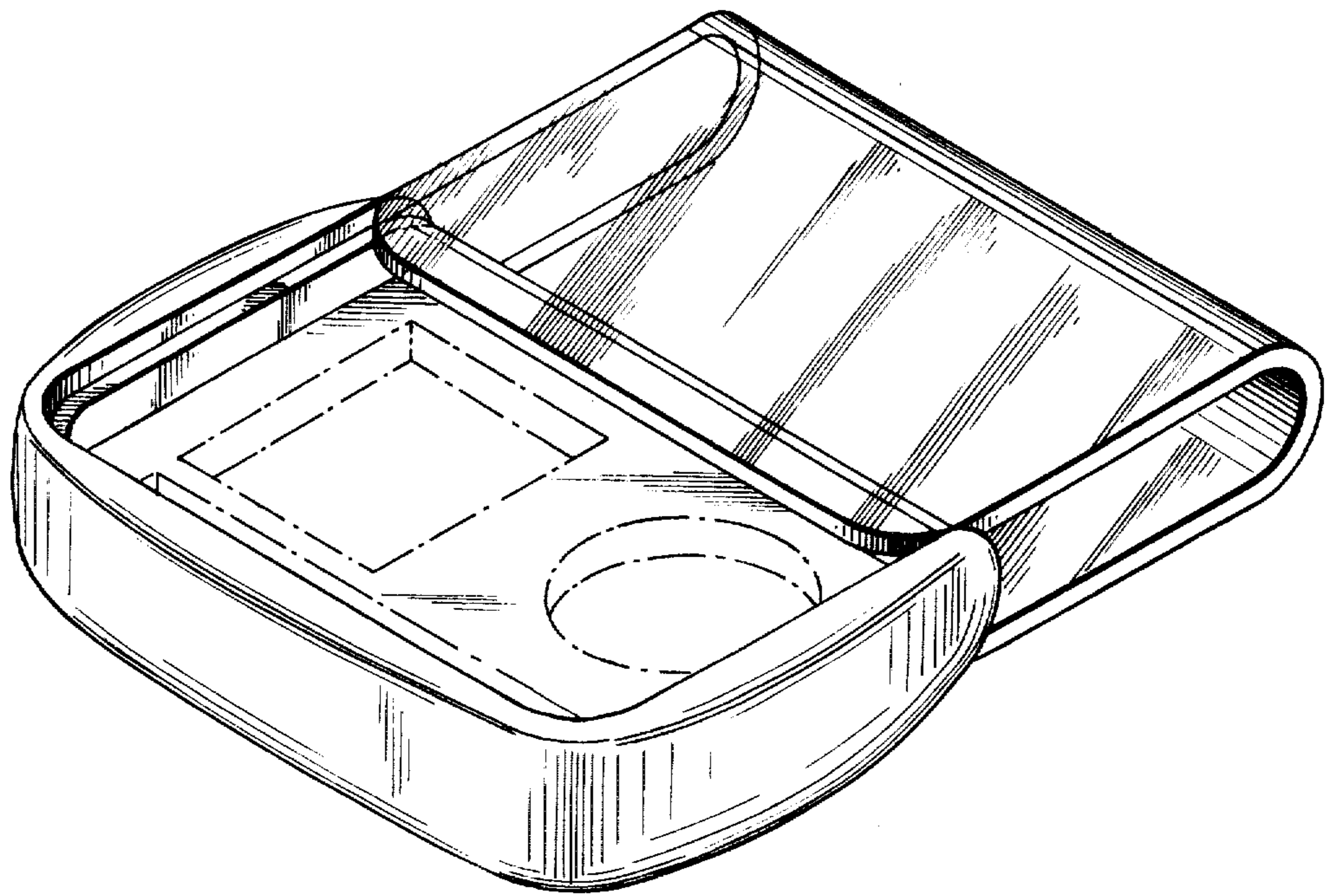


FIG. 2

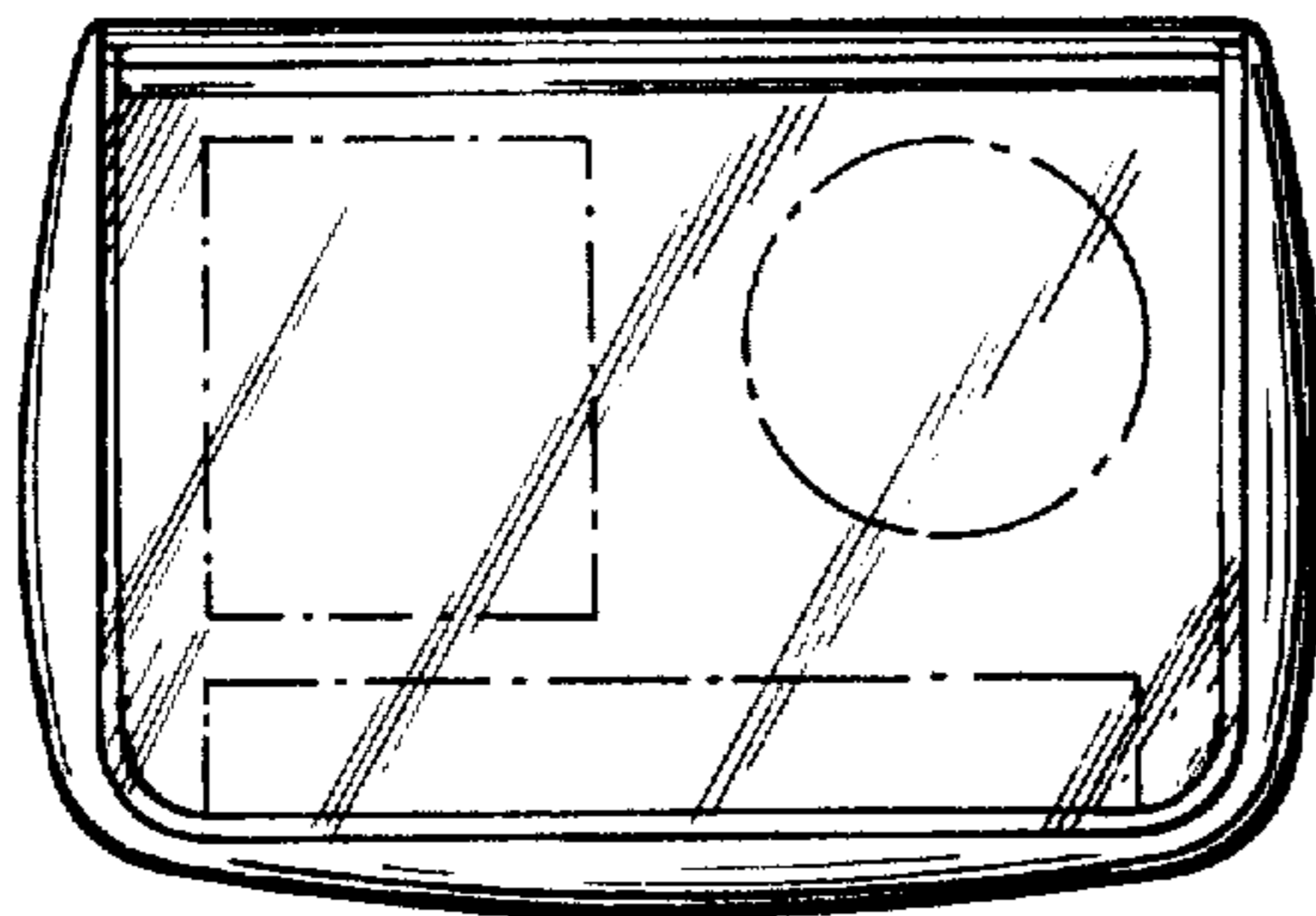


FIG. 3

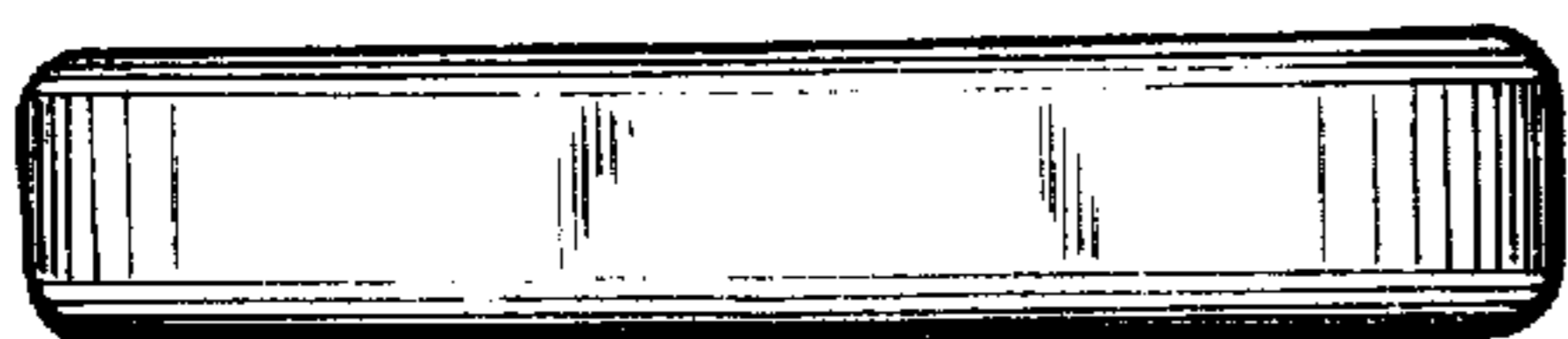


FIG. 4

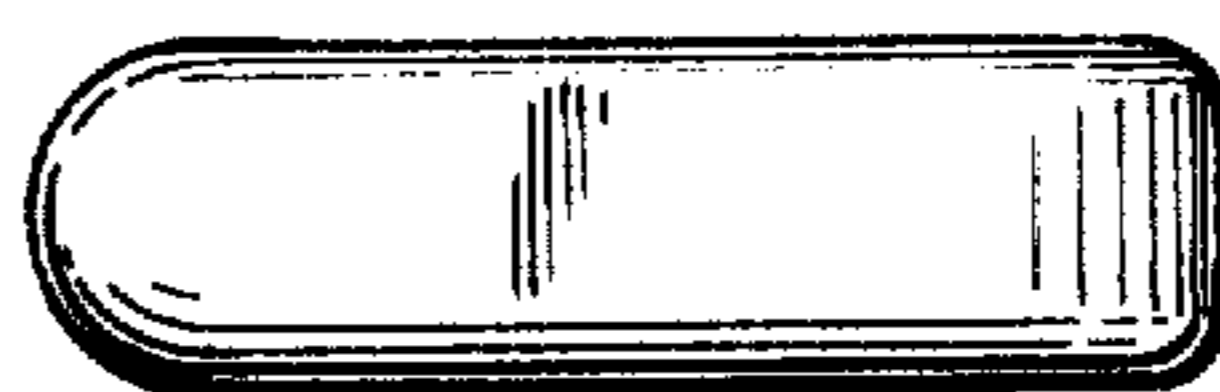


FIG. 5

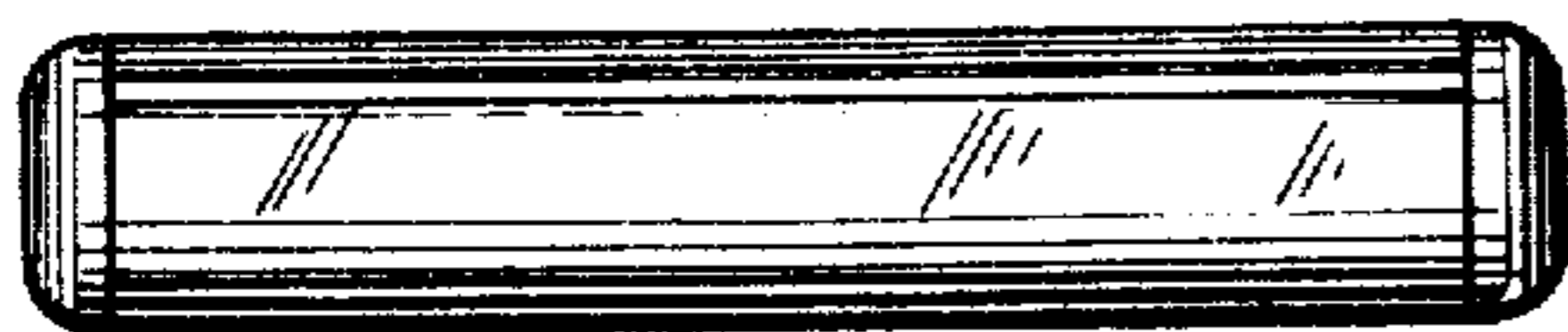


FIG. 6

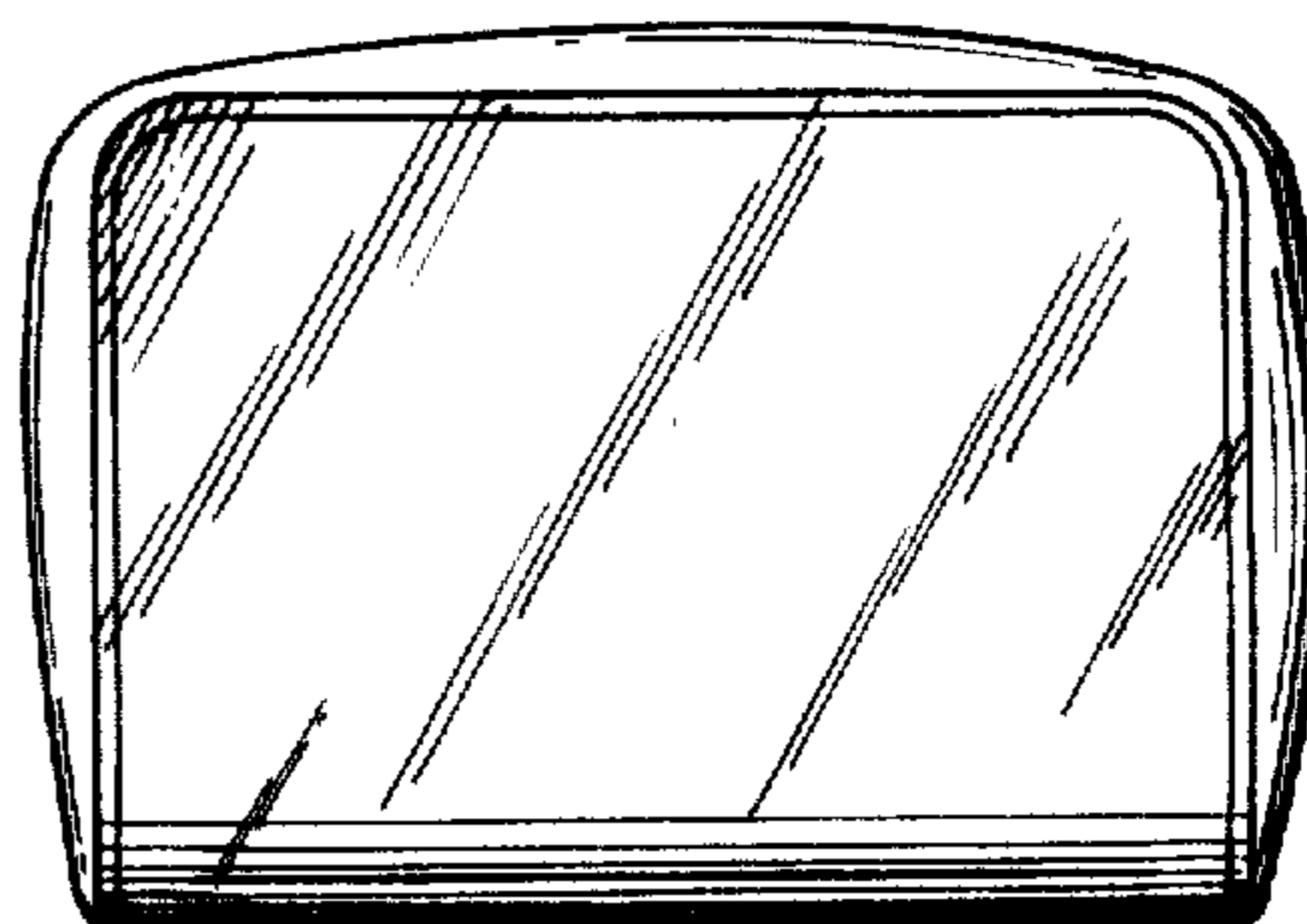


FIG. 7