

[54] **SHOWER HEAD**

[75] **Inventor:** Bruce R. Thompson, Tranmere, Australia

[73] **Assignee:** UPL Group Limited, Brisbane, Australia

[\*\*] **Term:** 14 Years

[21] **Appl. No.:** 255,530

[22] **Filed:** Apr. 20, 1981

[30] **Foreign Application Priority Data**

Dec. 18, 1980 [AU] Australia ..... 82,864

[51] **Int. Cl.** ..... D23-01

[52] **U.S. Cl.** ..... D23/35

[58] **Field of Search** ..... D23/34-38;  
4/596, 601, 619; 239/282, 283, 310, 318,  
380-383, 443-449, 499, 525, 529, 548, 551, 552,  
556, 558-560, 563, 564, 567, 568, 581-583,  
586-588, 590.3, 590.5

[56] **References Cited**

**U.S. PATENT DOCUMENTS**

D. 101,440	10/1936	Dreyfuss	.....	D23/35
D. 251,983	5/1979	Dunkin	.....	D23/35
D. 260,809	9/1981	Fleishmann	.....	D23/35
D. 263,865	4/1982	Yamin	.....	D23/35
D. 263,867	4/1982	Thompson	.....	D23/35
2,966,311	12/1960	Davis	.....	D23/35
3,333,284	8/1967	Symmons	.....	D23/35 X
3,533,555	10/1970	Billeter	.....	239/587 X
4,274,595	6/1981	Yamin	.....	239/383

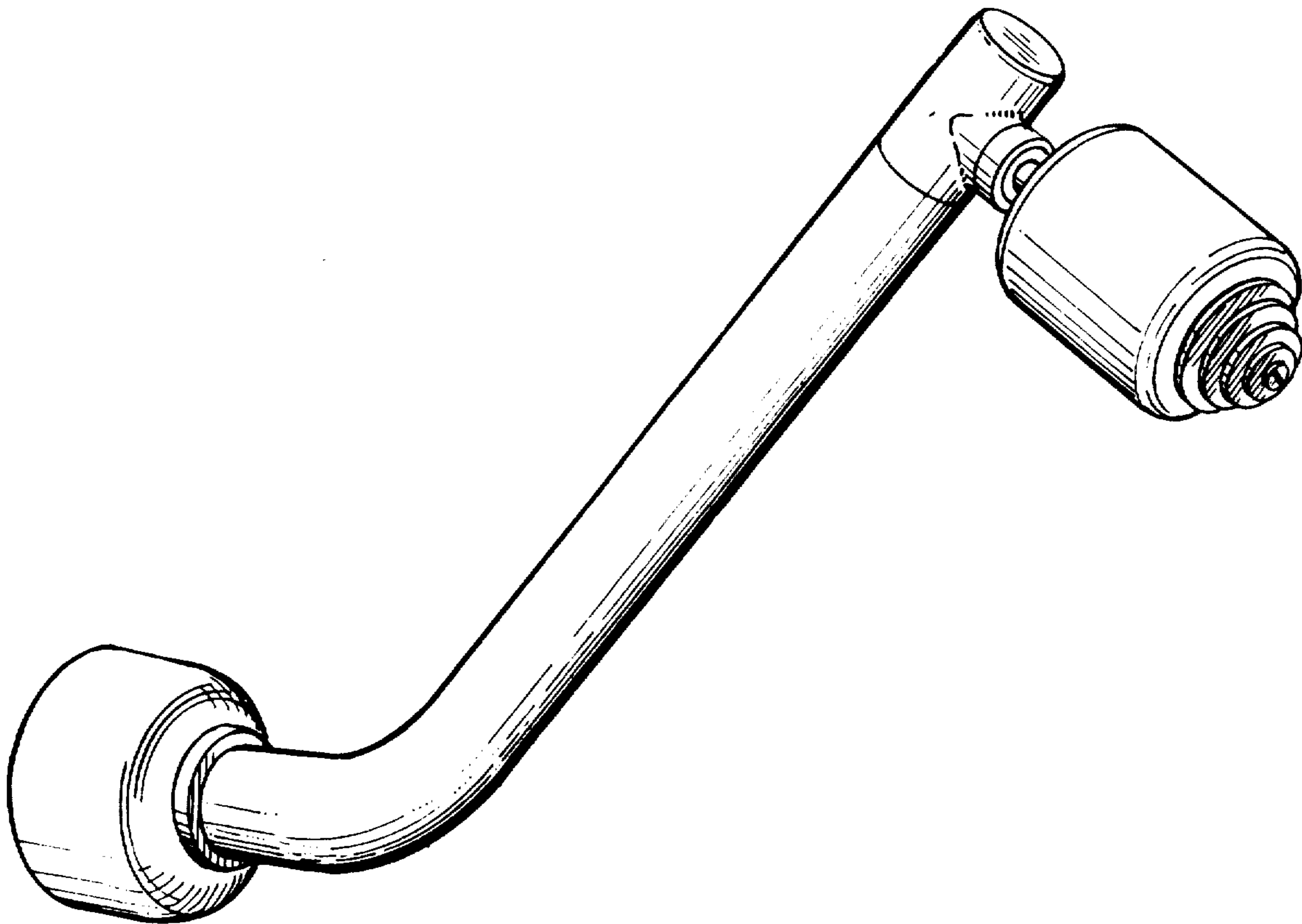
*Primary Examiner*—James R. Largen  
*Attorney, Agent, or Firm*—McDougall, Hersh & Scott

[57] **CLAIM**

The ornamental design for a shower head, as shown.

**DESCRIPTION**

FIG. 1 is a perspective view of a shower head showing my new design;  
FIG. 2 is a front elevational view thereof;  
FIG. 3 is a side elevational view thereof; and  
FIG. 4 is a front elevational view of the nozzle portion thereof.



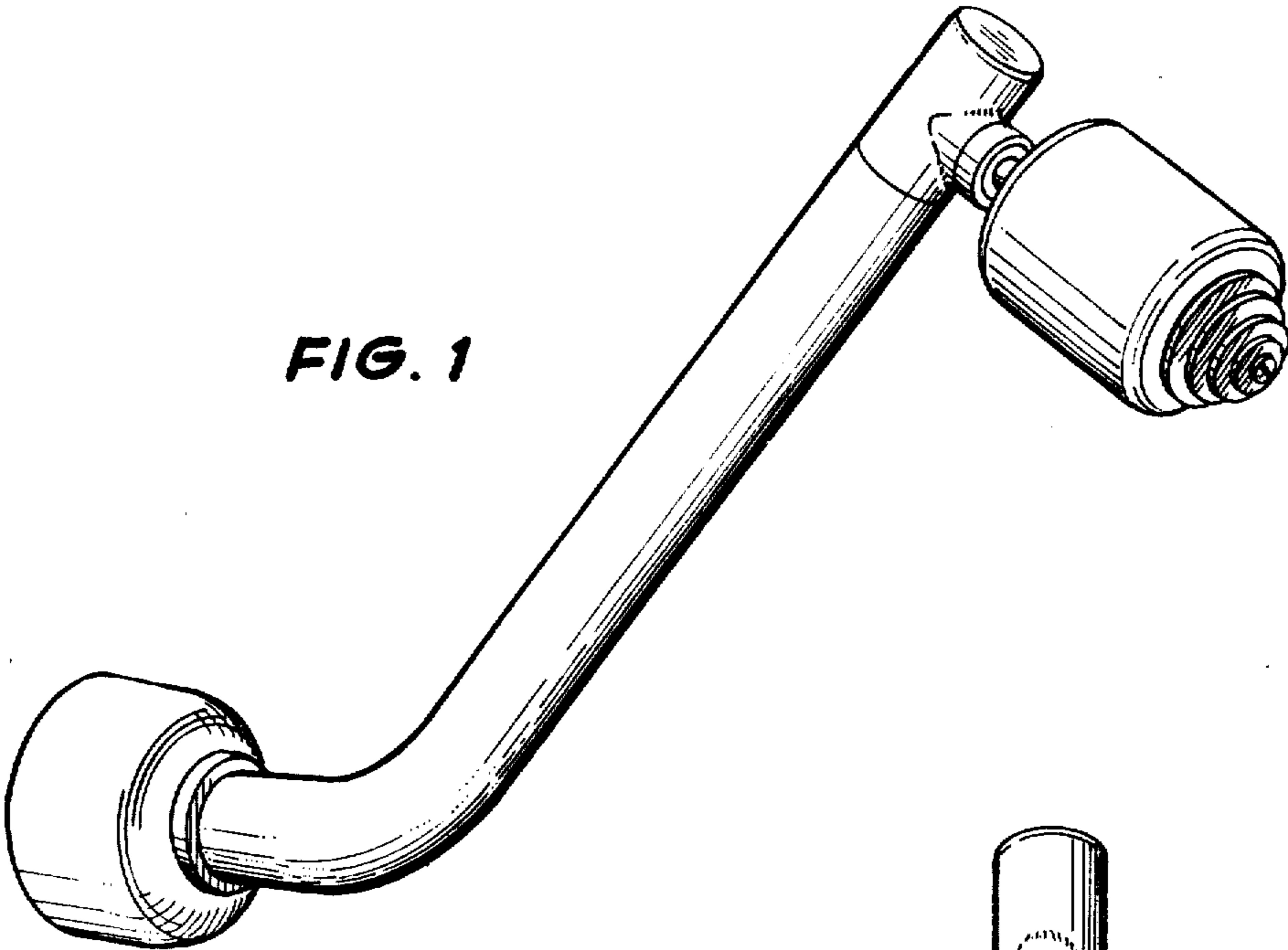
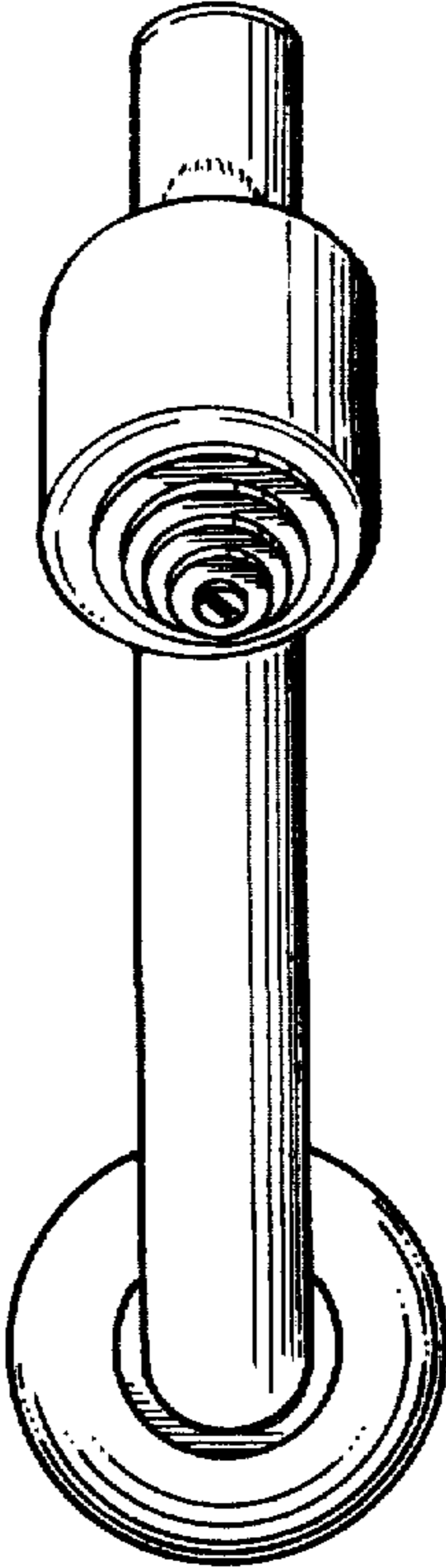
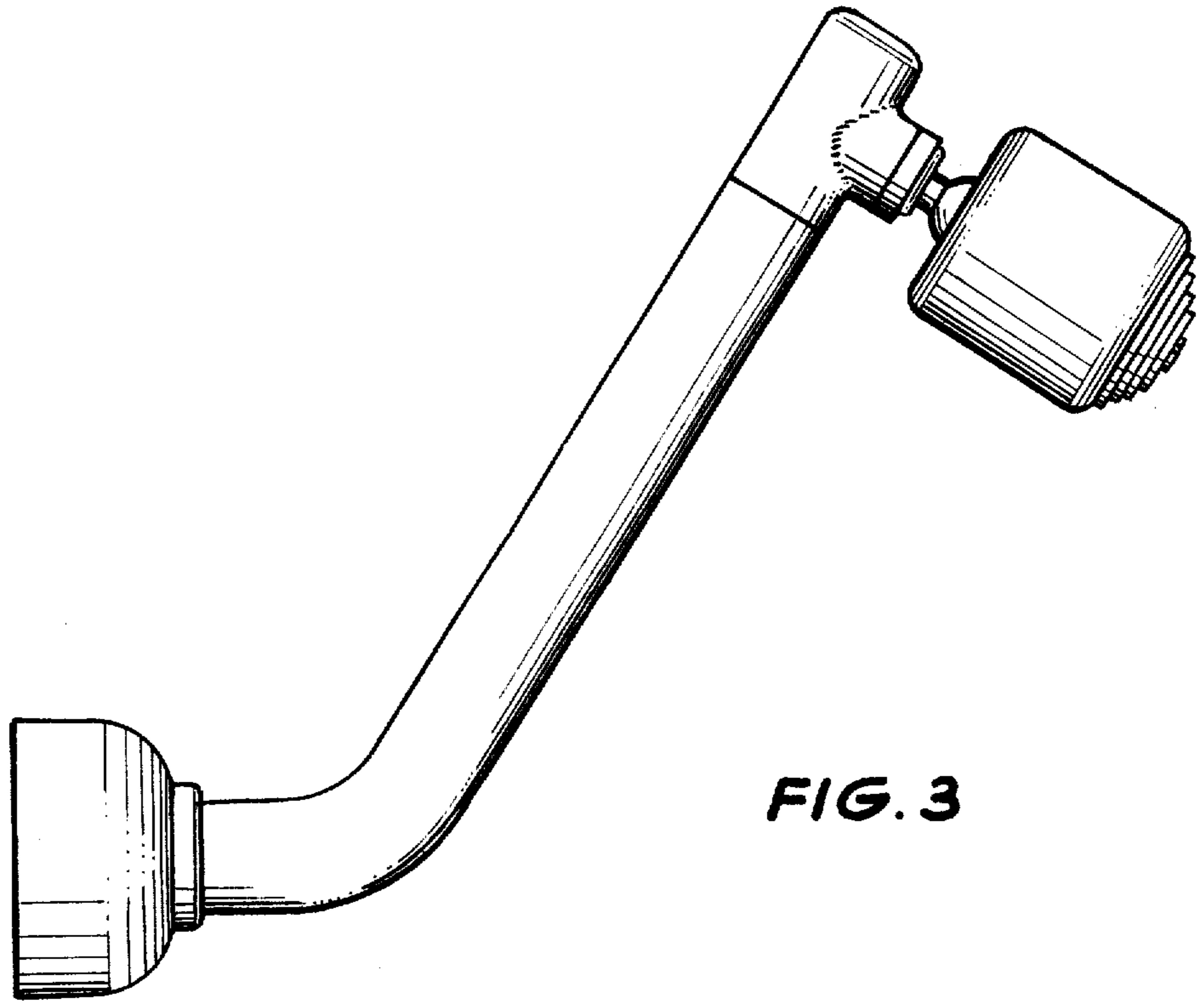
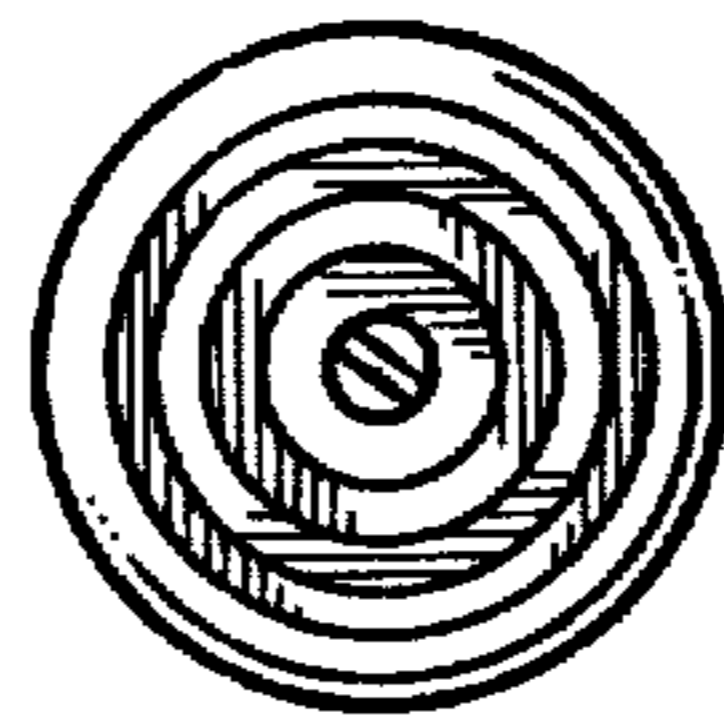


FIG. 2





**FIG. 3**



**FIG. 4**