

[54] PULL TOY

[76] Inventor: **Ralph A. Randolph**, Box 36, Bushnell, Nebr. 69128

[**] Term: **14 Years**

[21] Appl. No.: **211,236**

[22] Filed: **Nov. 28, 1980**

[51] Int. Cl. **D21-01**
[52] U.S. Cl. **D21/165; D21/70**
[58] Field of Search **D21/62, 70, 148, 74, D21/81; 46/1 C, 1 G, 97, 106, 108, 116, 119, 120, 123, 127**

[56]

References Cited

U.S. PATENT DOCUMENTS

D. 60,728	3/1922	Lebzelter	D21/70
D. 170,784	3/1953	West	D21/165
511,084	12/1893	Kellum et al.	D21/70
1,529,859	3/1925	Anderson	D21/165

Primary Examiner—Charles A. Rademaker
Attorney, Agent, or Firm—Sanford Astor

[57]

CLAIM

The ornamental design for a pull toy, as shown and described.

DESCRIPTION

FIG. 1 is a side elevational view of a pull toy showing my new design, the side opposite being a mirror image; FIG. 2 is a front elevational view thereof; FIG. 3 is a rear elevational view thereof; FIG. 4 is a top plan view thereof; and, FIG. 5 is a bottom plan view thereof.

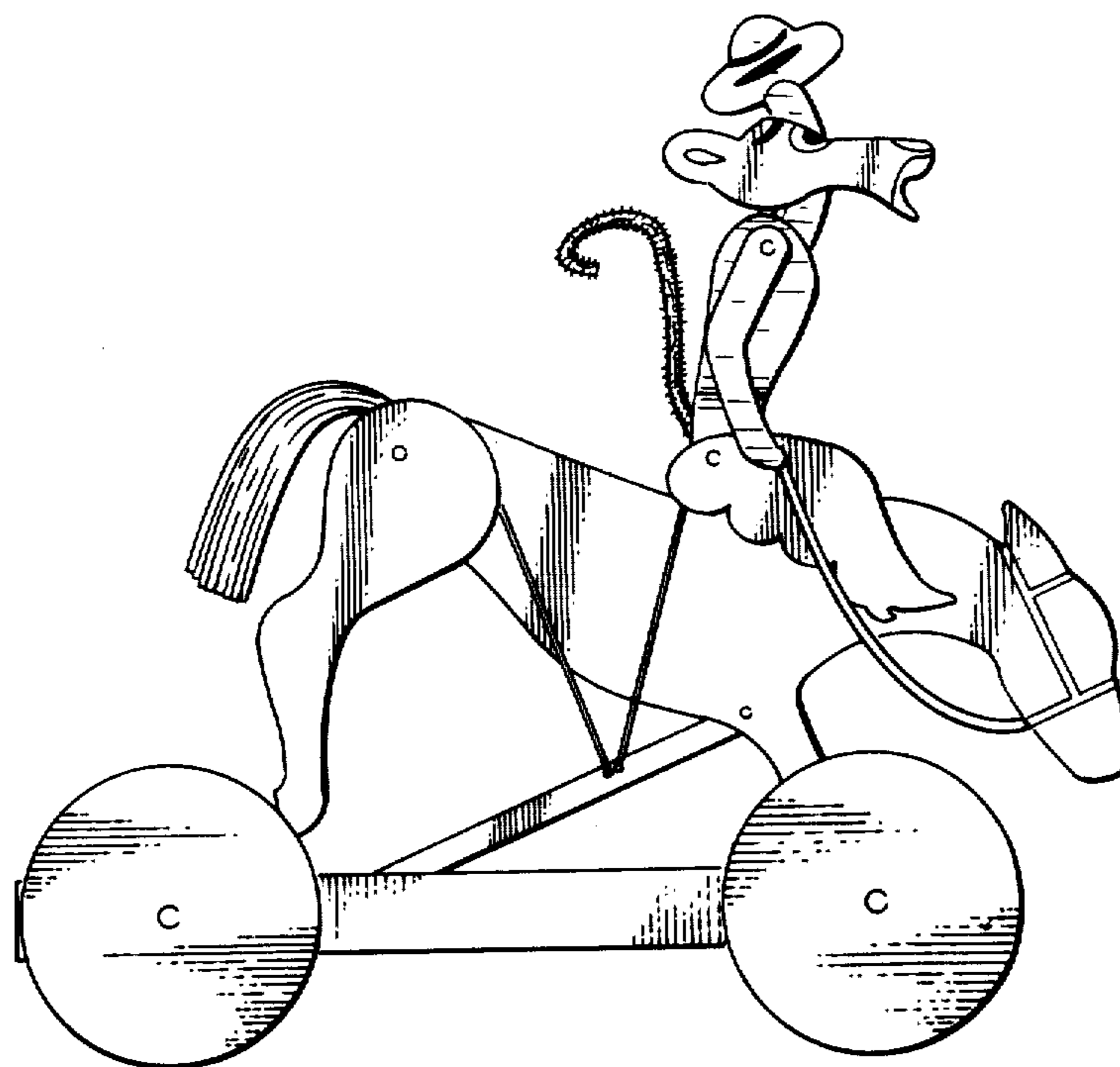


Fig. 1

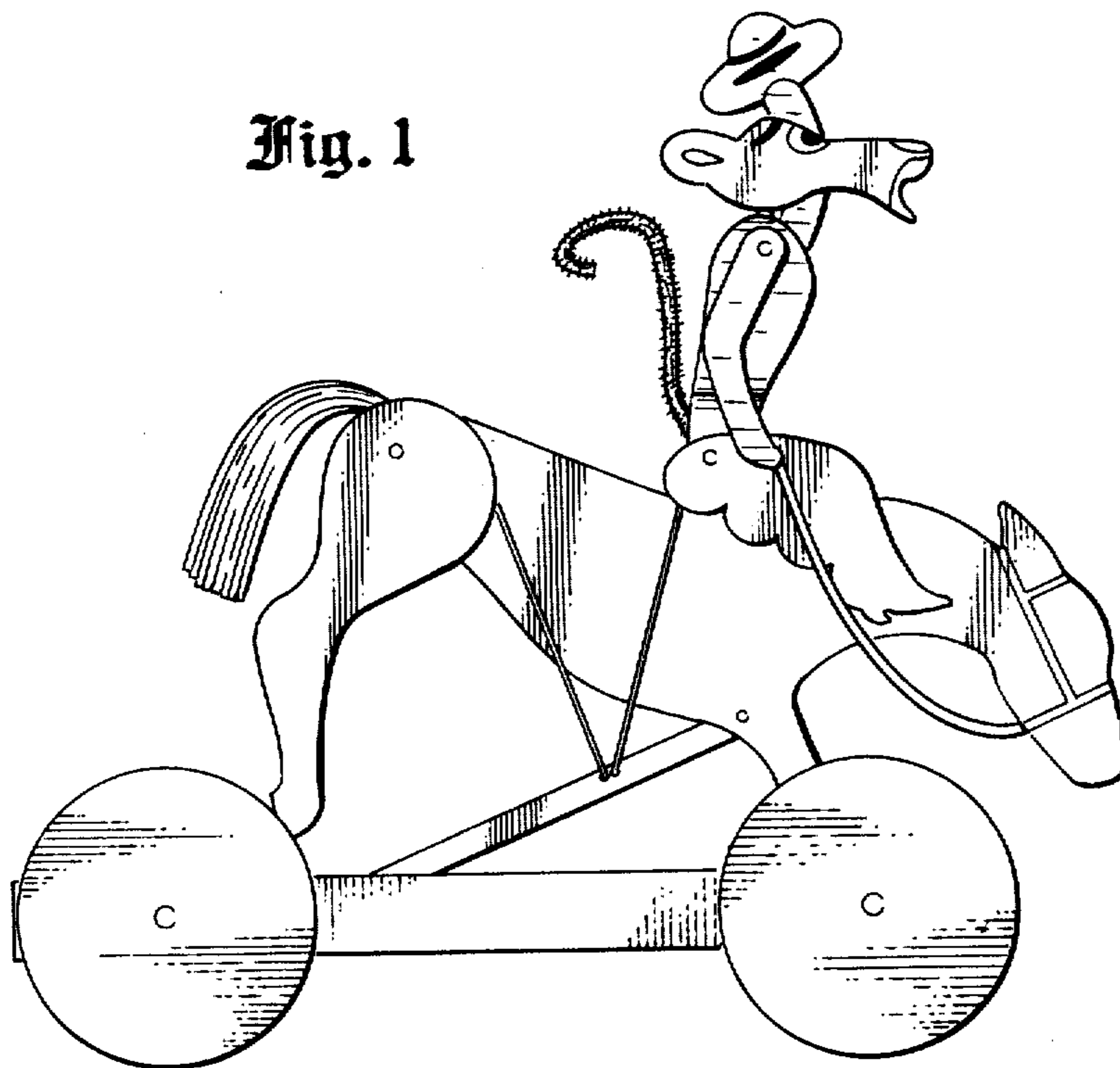


Fig. 2

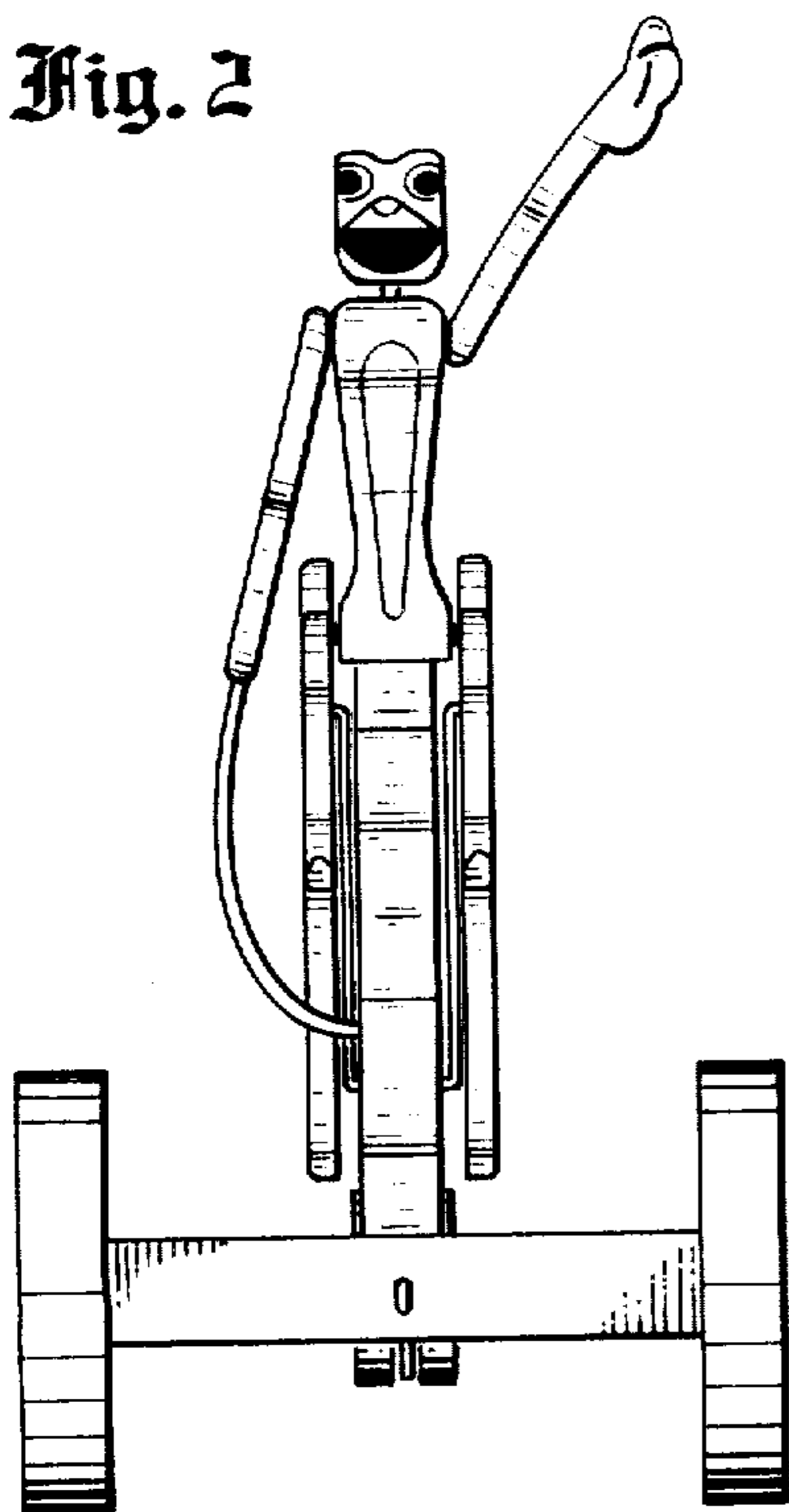


Fig. 3

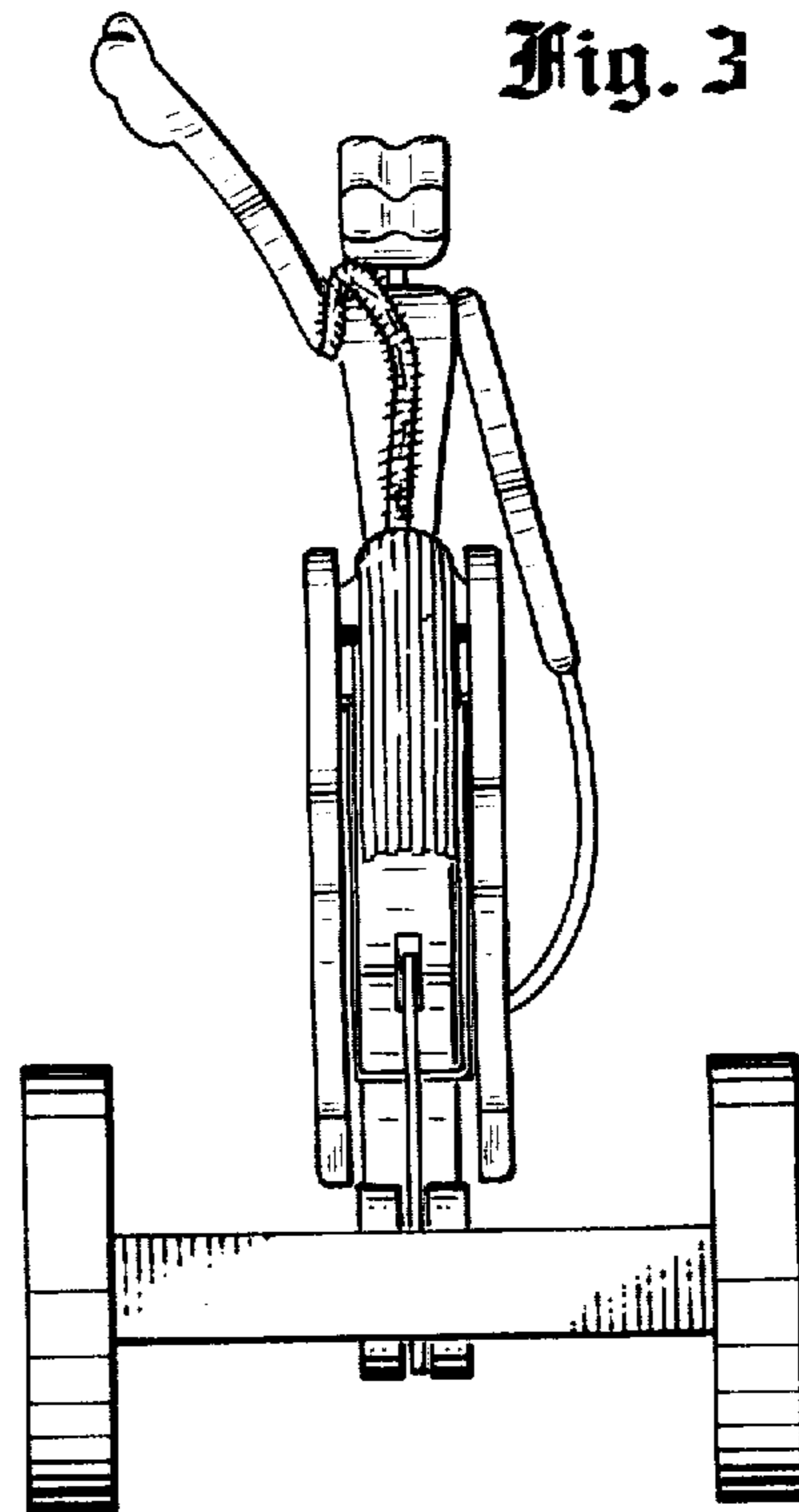


Fig. 4

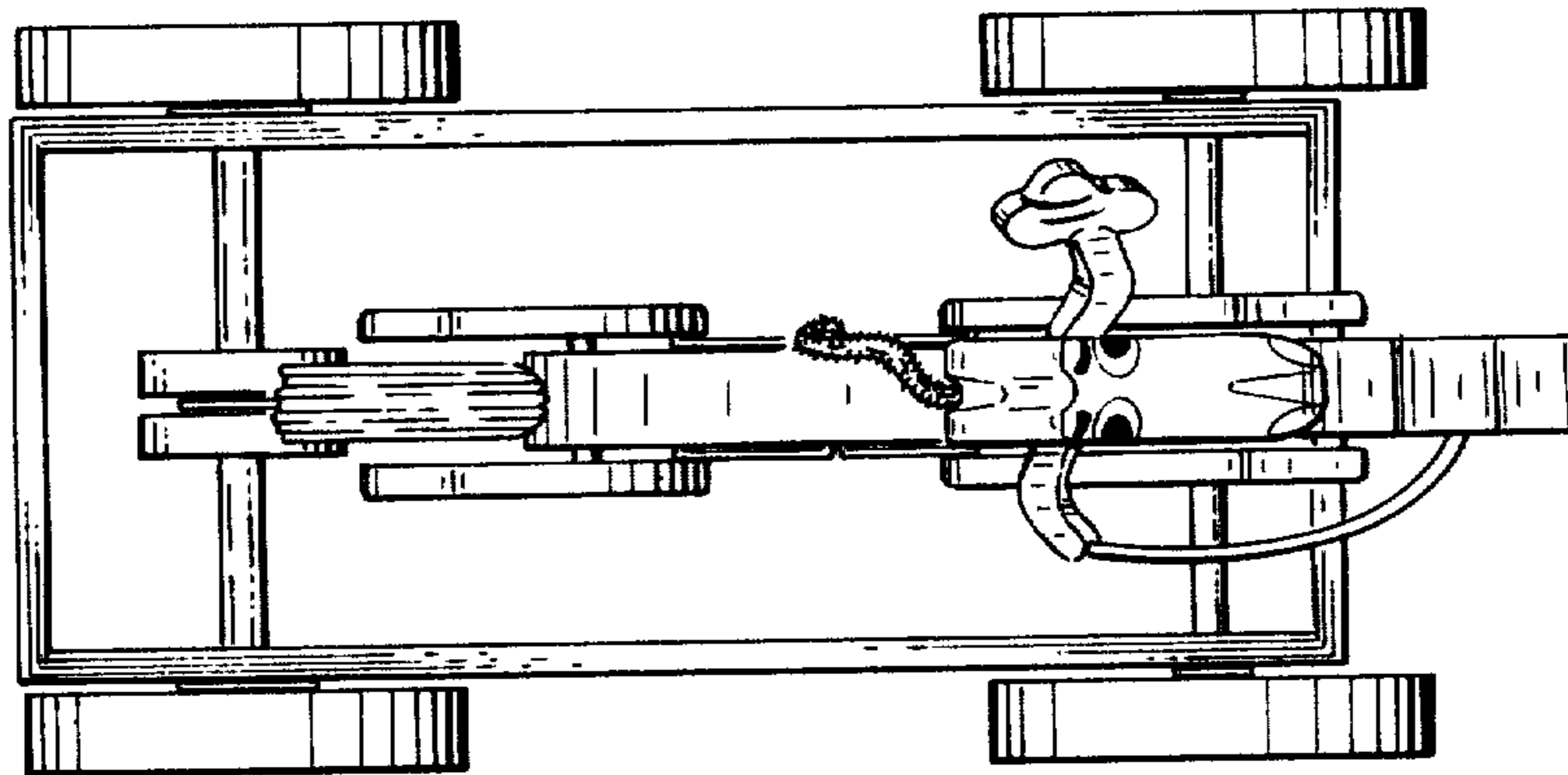


Fig. 5

