

[54] ELECTRONIC MEMORY GAME HOUSING

[75] Inventor: Lap Lee, Hong Kong, Hong Kong

[73] Assignee: Applied Industrial Company Limited, Hong Kong, Hong Kong

[\*\*] Term: 14 Years

[21] Appl. No.: 196,464

[22] Filed: Oct. 14, 1980

[51] Int. Cl. .... D21-01

[52] U.S. Cl. .... D21/13; D21/32

[58] Field of Search ..... D21/13; 273/237, 1 E, 273/DIG. 28, 138 A

[56] References Cited

U.S. PATENT DOCUMENTS

- D. 253,786 12/1979 Montague ..... D21/32
- D. 262,464 12/1981 Vernon Jr. .... D21/32

OTHER PUBLICATIONS

Playthings, May, 1980, p. 63, lower right, "Musical Marvin".

Hong Kong Enterprise, p. 103, upper left, "Monkey See Monkey Do".

Playthings, Apr., 1980, p. 8, upper left item, "Organ Organ".

Primary Examiner—Melvin B. Feifer

Attorney, Agent, or Firm—Amster, Rothstein & Engelberg

[57] CLAIM

The ornamental design for an electronic memory game housing, substantially as shown and described.

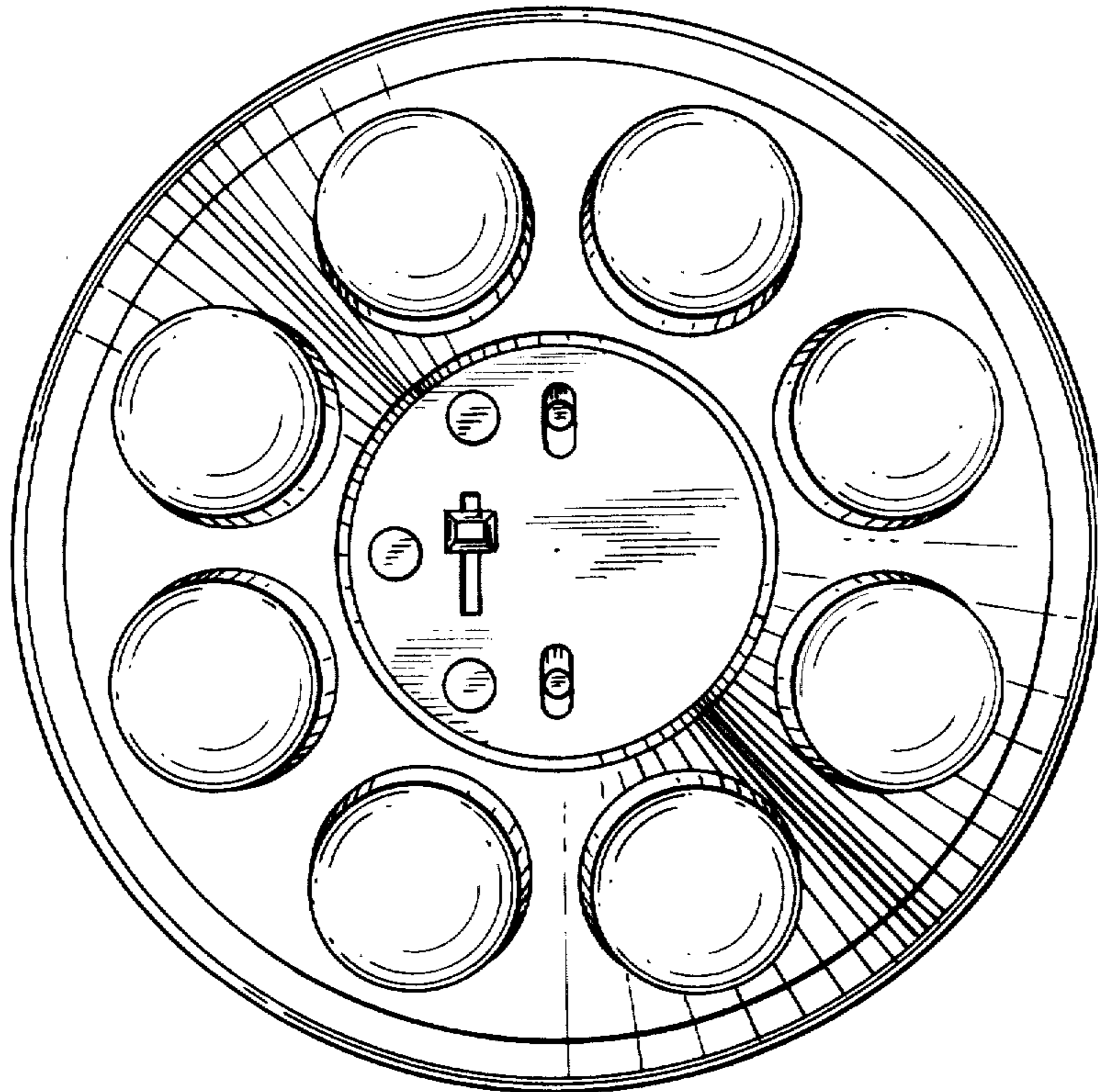
DESCRIPTION

FIG. 1 is a perspective view of an electronic memory game housing showing my new design;

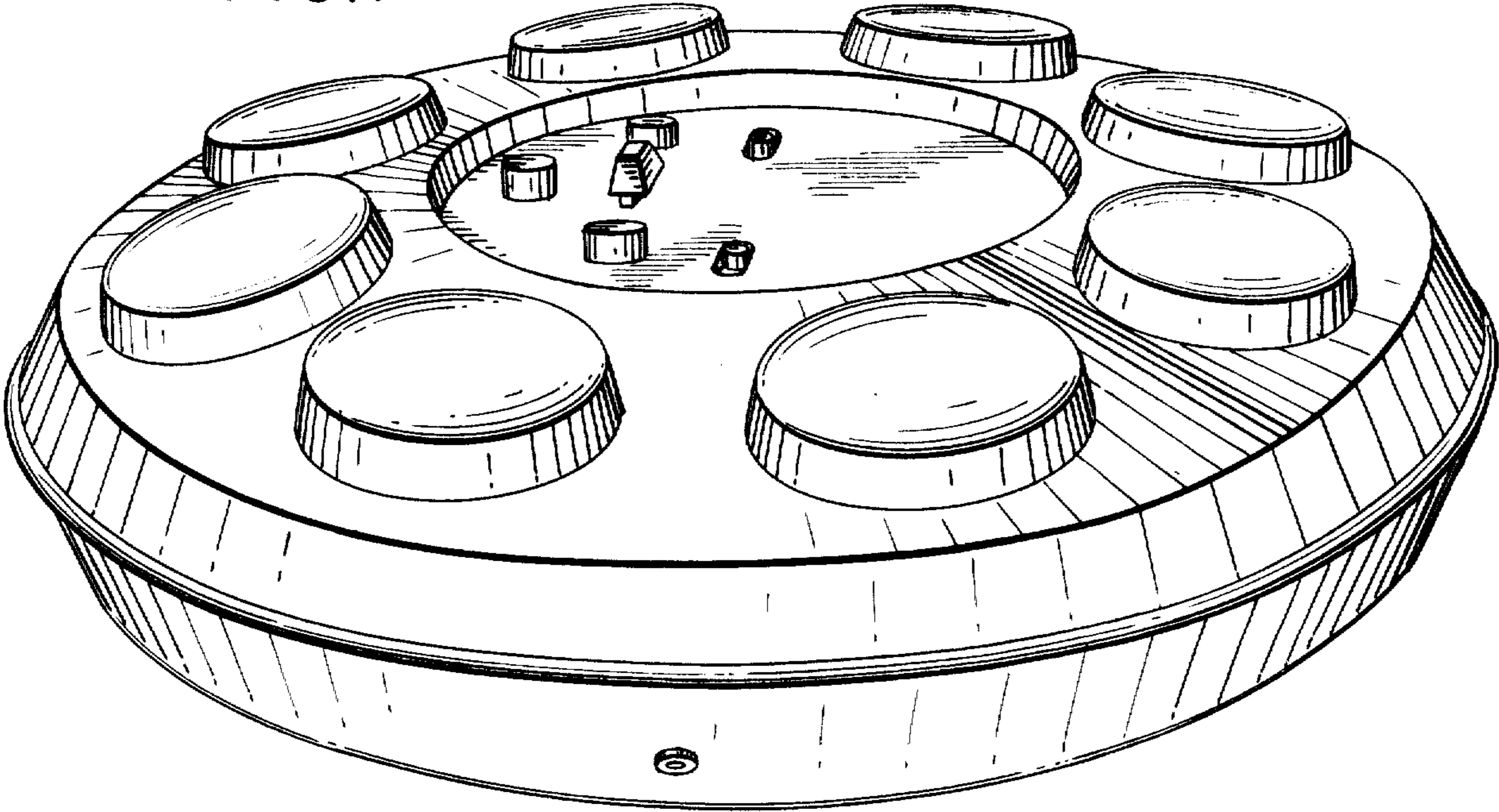
FIG. 2 is a top plan view thereof;

FIG. 3 is an elevational view thereof; and

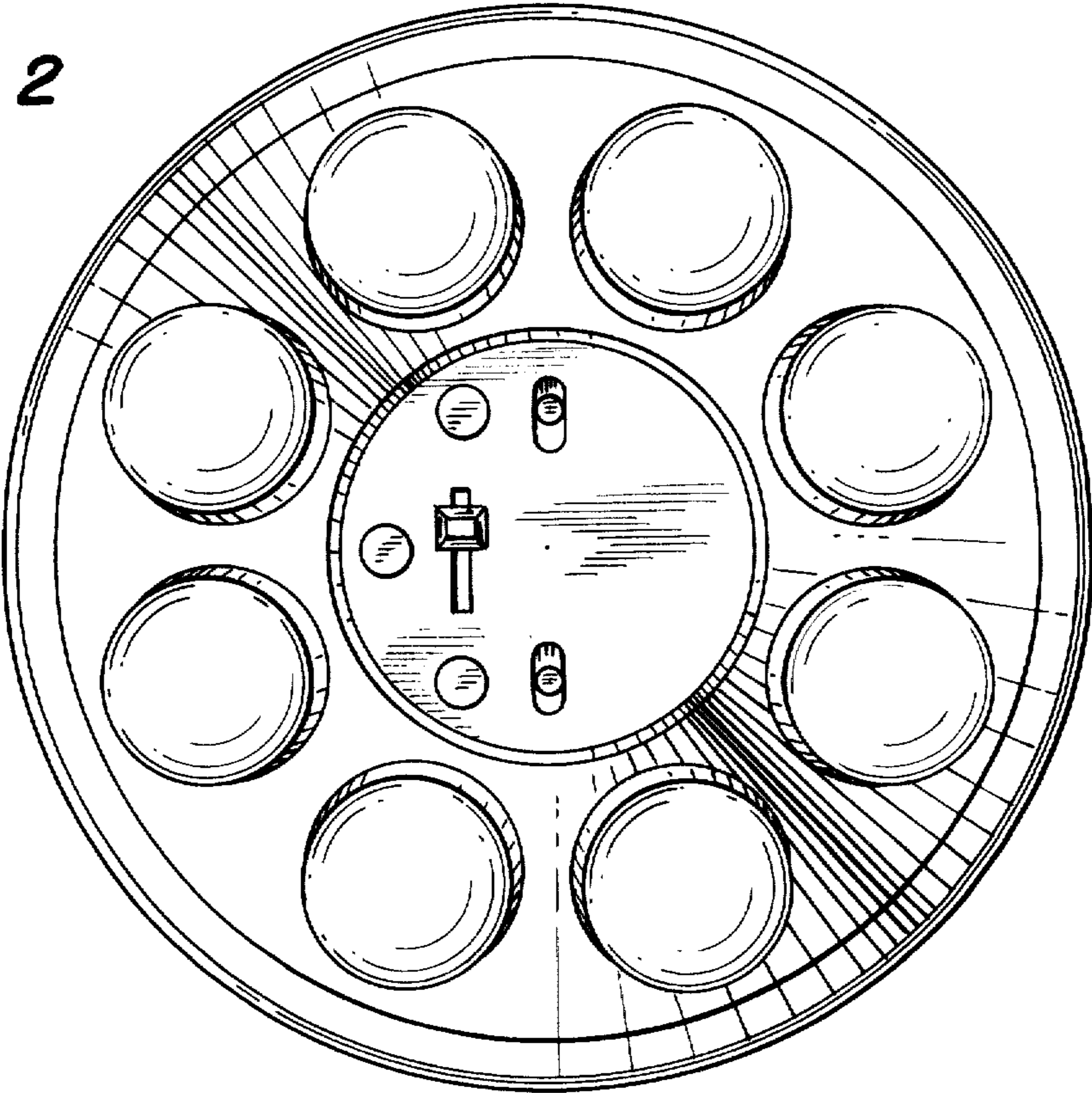
FIG. 4 is a bottom plan view thereof.



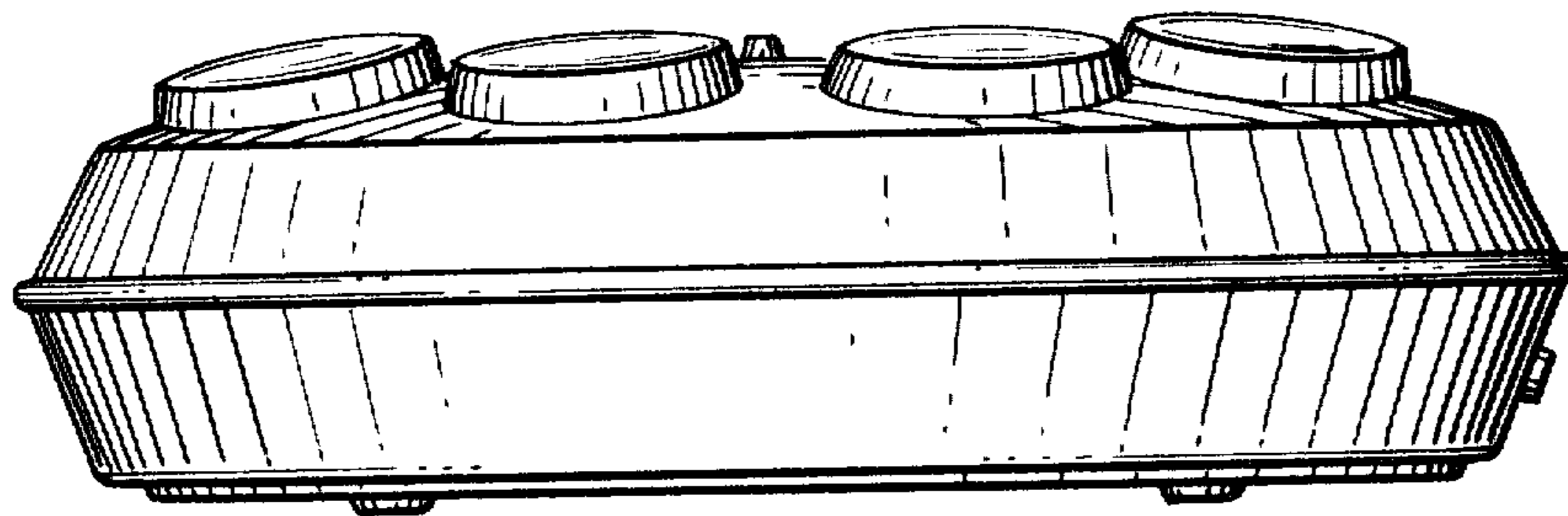
**FIG. 1**



**FIG. 2**



**FIG. 3**



**FIG. 4**

