

[54] **FOLDING TRANSPARENCY VIEWER**

[75] Inventors: **Paul D. Miller, New York, N.Y.;**  
**Richard M. Joffe, North Bergen,**  
**N.J.**

[73] Assignee: **View-Master International Group,**  
**Portland, Oreg.**

[\*\*] Term: **14 Years**

[21] Appl. No.: **228,639**

[22] Filed: **Jan. 26, 1981**

[51] Int. Cl. .... **D16-03**

[52] U.S. Cl. .... **D16/18**

[58] Field of Search ..... **D16/11, 14, 17, 18;**  
**40/361-367**

[56] **References Cited**

**U.S. PATENT DOCUMENTS**

2,617,218	11/1952	Antos	40/365
2,983,061	5/1961	Mairshofer	40/365
3,076,276	2/1963	Pitchford	40/365
3,967,401	7/1976	Numbers	40/362

4,173,838 11/1979 Antos ..... 40/366

**FOREIGN PATENT DOCUMENTS**

1462921 3/1976 United Kingdom ..... 40/364

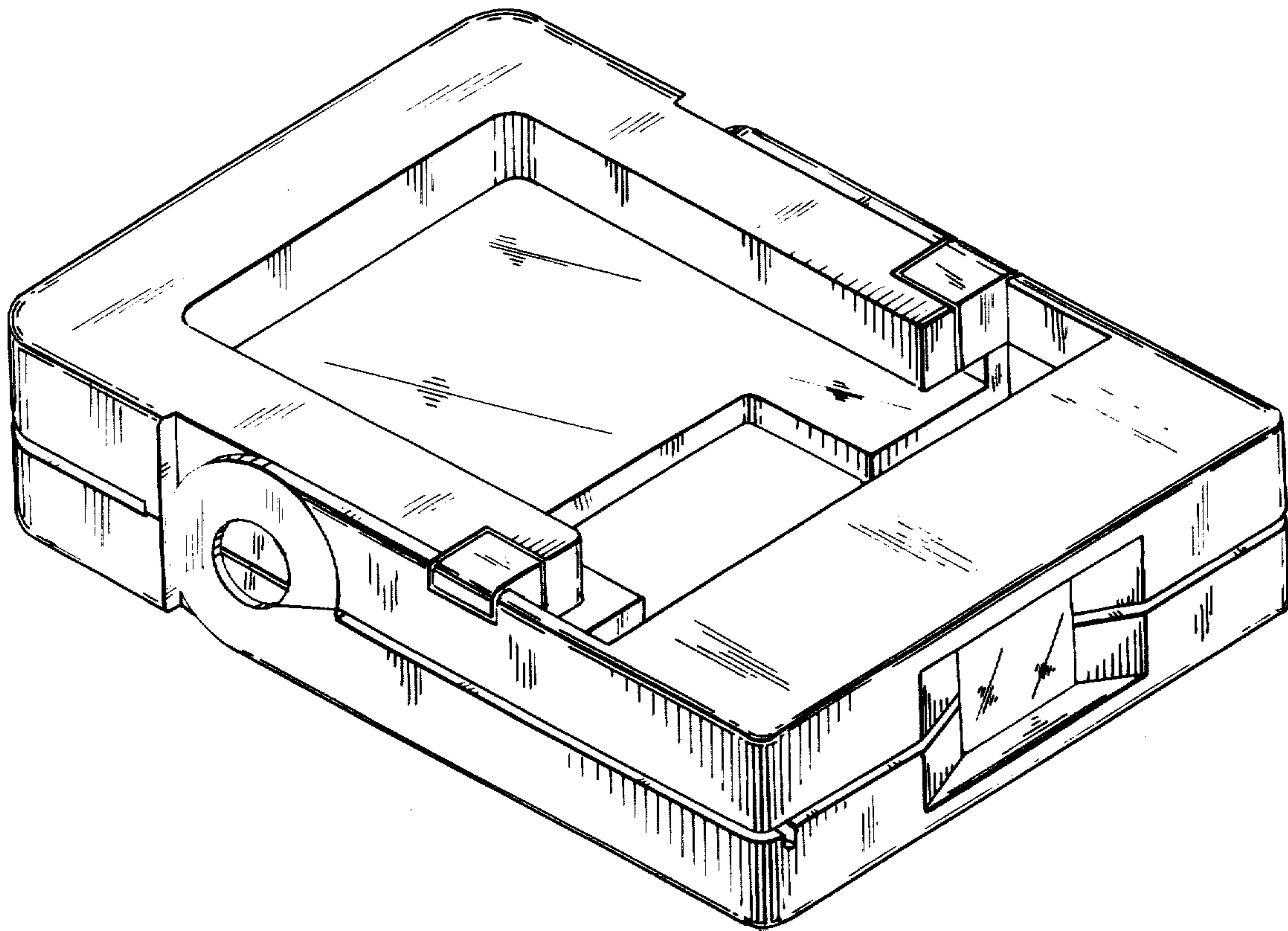
*Primary Examiner*—Nelson C. Holtje  
*Attorney, Agent, or Firm*—Klarquist, Sparkman,  
Campbell, Leigh, Winston & Dellett

[57] **CLAIM**

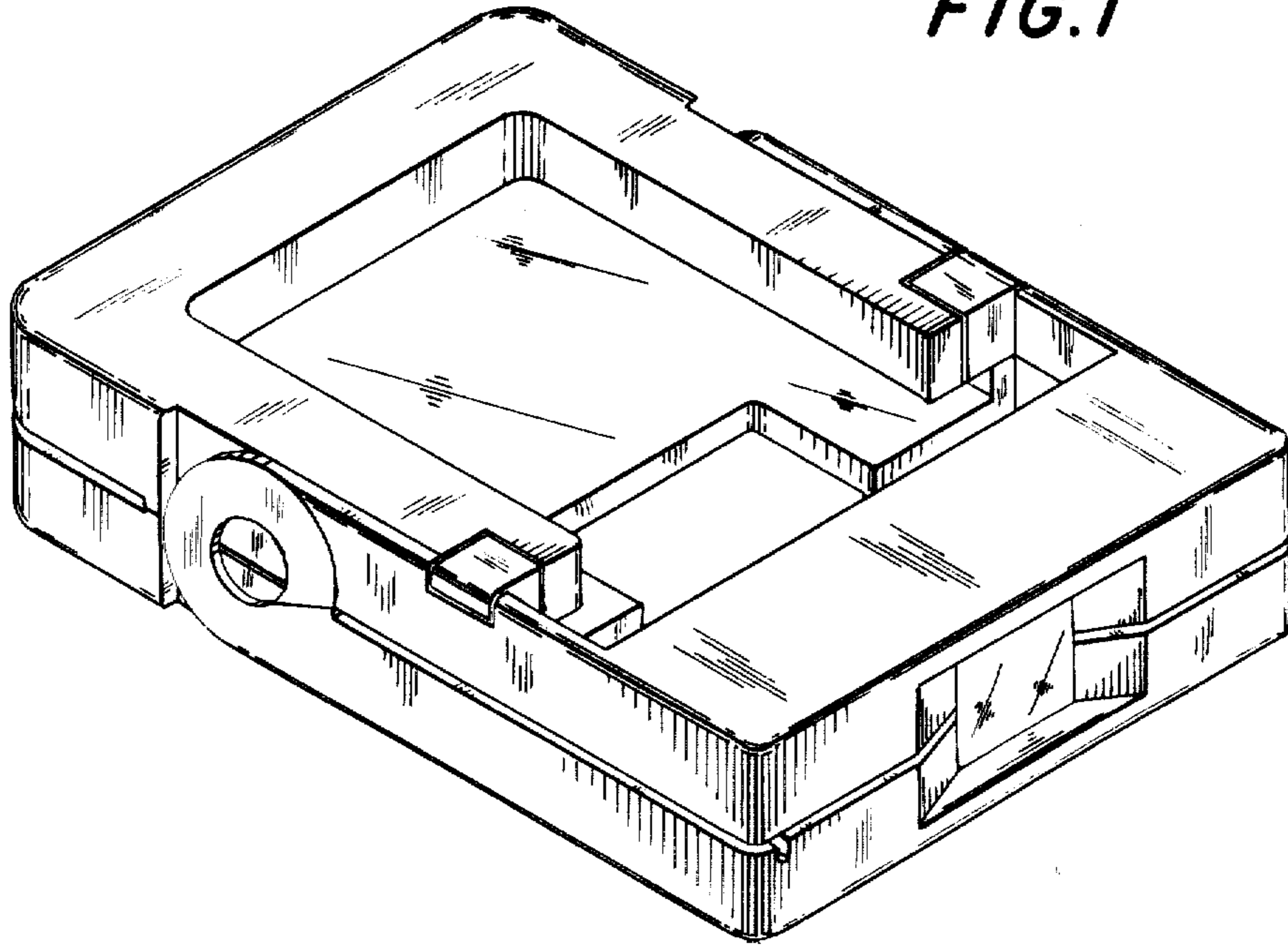
The ornamental design for a folding transparency viewer, substantially as shown and described.

**DESCRIPTION**

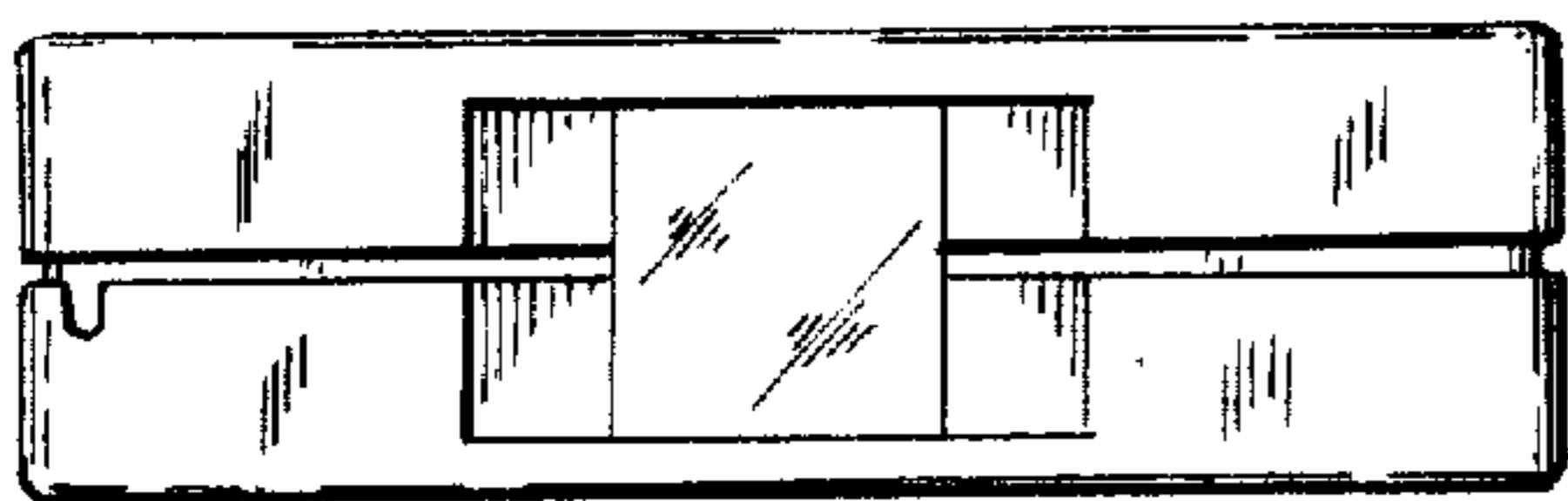
FIG. 1 is a top and left front perspective view of a folding transparency viewer showing our new design in the folded position;  
FIG. 2 is a front elevational view thereof;  
FIG. 3 is a rear elevational view thereof;  
FIG. 4 is a bottom plan view thereof;  
FIG. 5 is a left side elevational view thereof, the right side being a mirror image thereto;  
FIG. 6 is a top and left front perspective view thereof in the open position;  
FIG. 7 is a top plan view thereof.



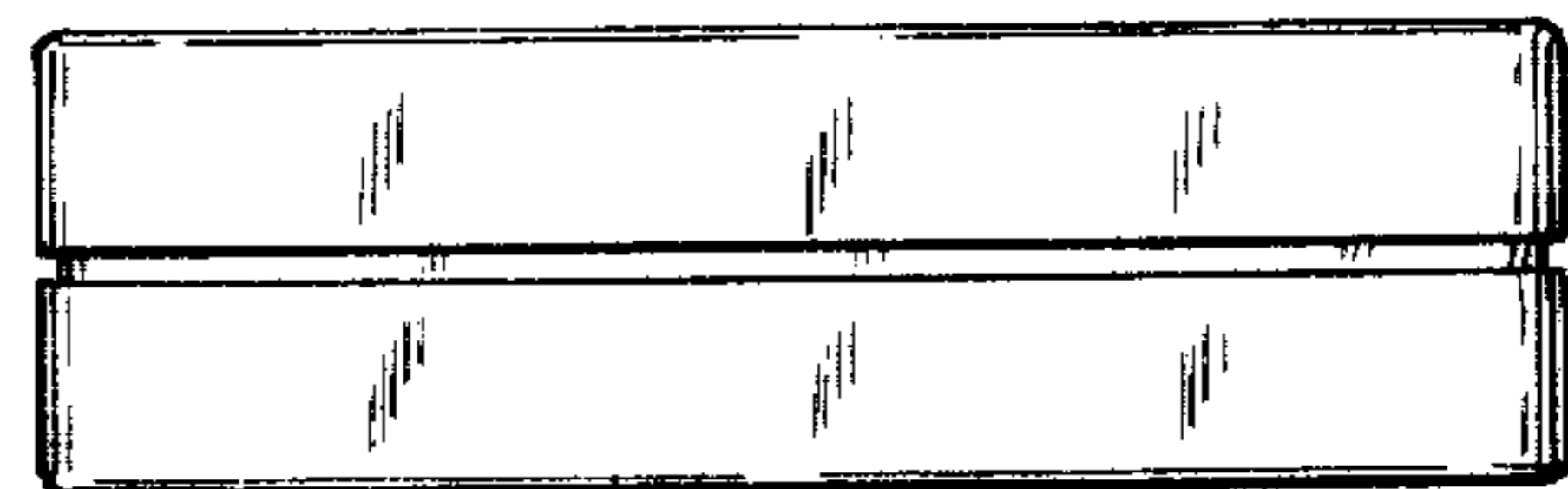
*FIG. 1*



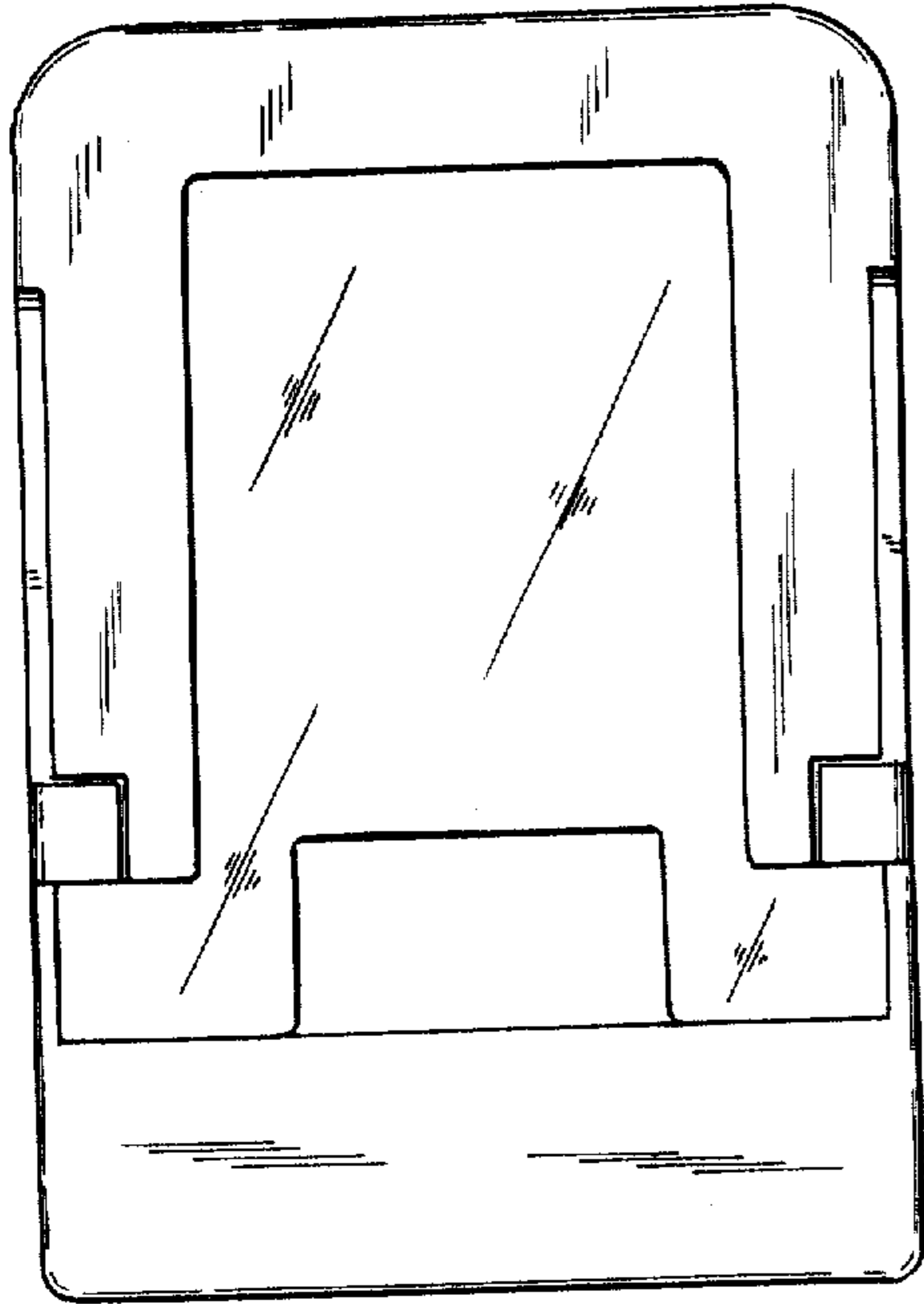
*FIG. 2*



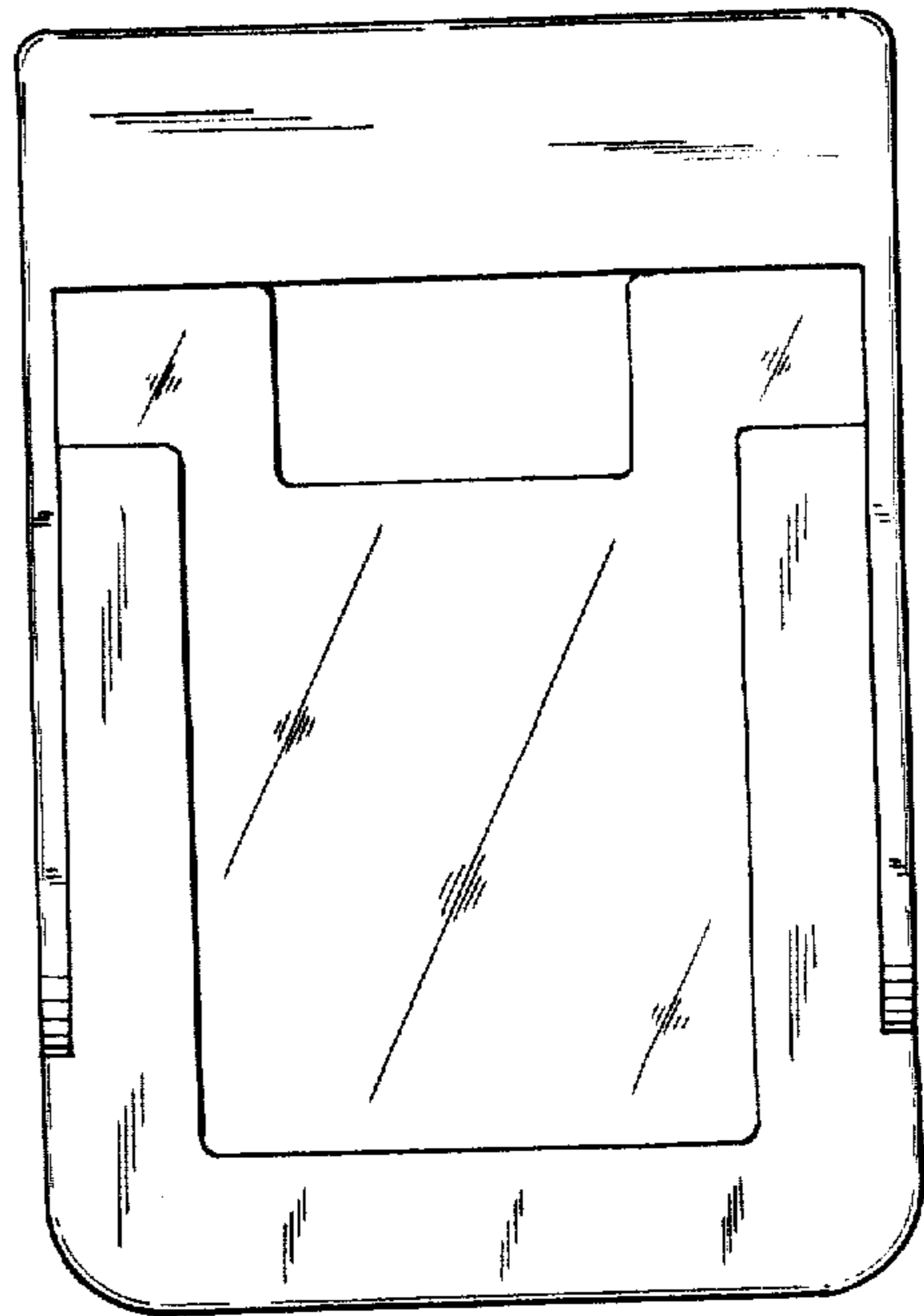
*FIG. 3*



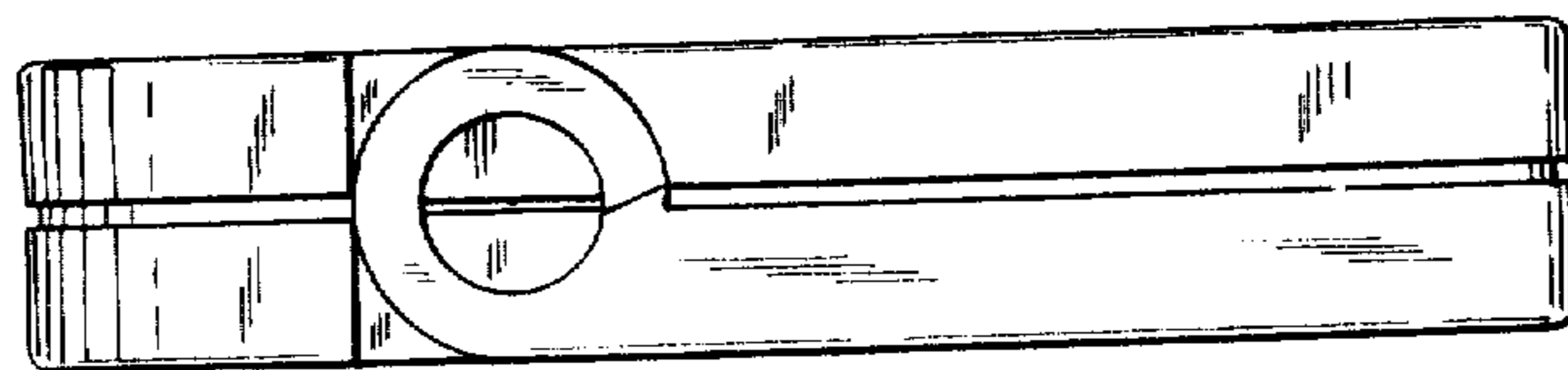
**FIG. 7**



**FIG. 4**



**FIG. 5**



**FIG. 6**

