

[54] **TRANSPARENCY VIEWER**

[75] Inventors: **Paul D. Miller**, New York, N.Y.;
Richard M. Joffe, North Bergen,
N.J.

[73] Assignee: **View-Master International Group**,
Portland, Oreg.

[**] Term: **14 Years**

[21] Appl. No.: **236,095**

[22] Filed: **Feb. 20, 1981**

[51] Int. Cl. **D16-03**

[52] U.S. Cl. **D16/17**

[58] Field of Search **D16/11, 14, 17, 18;**
40/361-367

[56] **References Cited**

U.S. PATENT DOCUMENTS

D. 181,019	9/1957	Parcher	D16/17
D. 211,135	5/1968	Tan	D16/17
3,018,575	1/1962	Barre	40/362
3,153,293	10/1964	Clarkson	40/367

3,748,765 7/1973 Bass 40/367

FOREIGN PATENT DOCUMENTS

1274377	of 1968	Fed. Rep. of Germany	40/363
2257476	6/1973	Fed. Rep. of Germany	40/364
947228	1/1964	United Kingdom	40/367

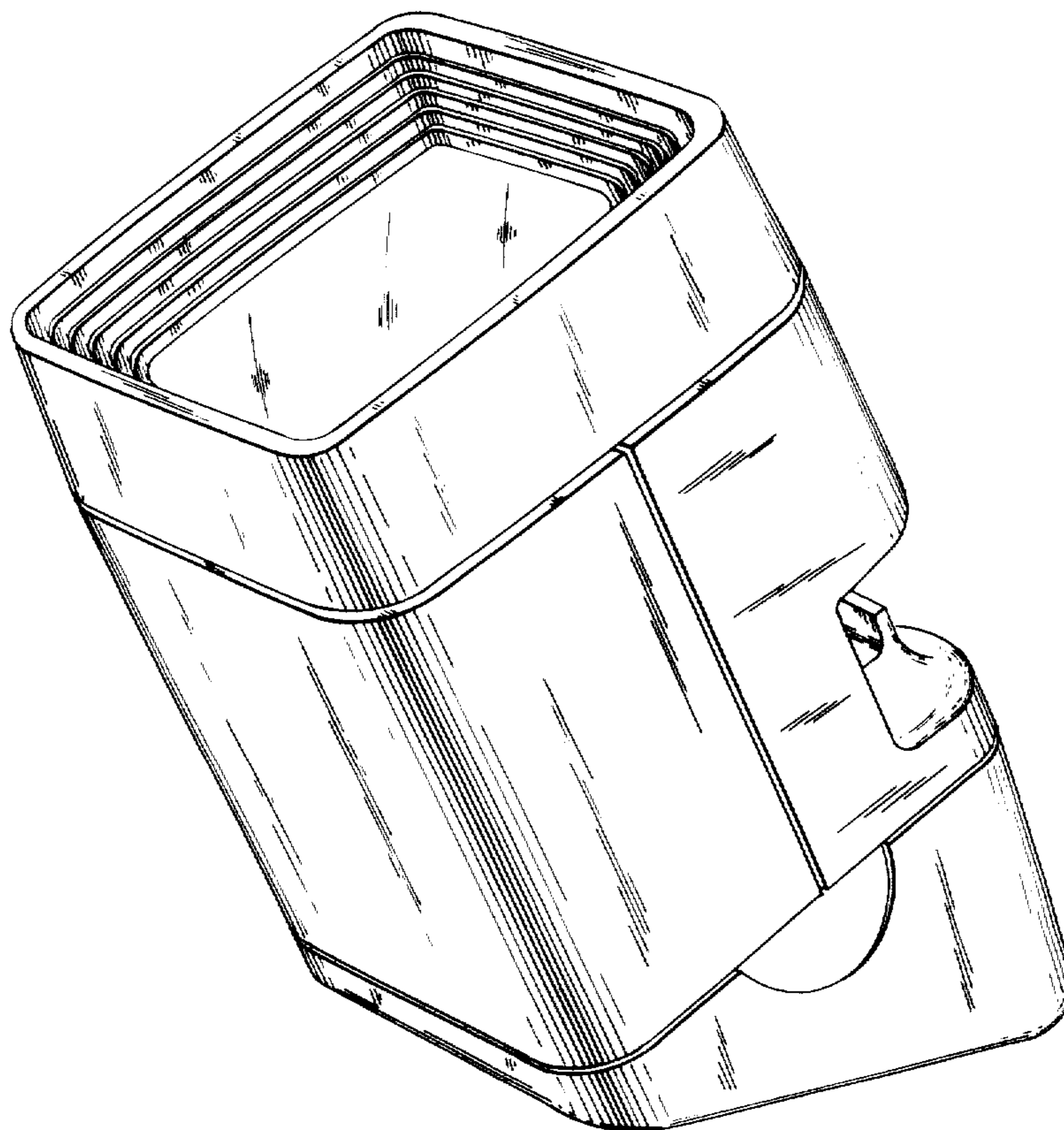
Primary Examiner—Nelson C. Holtje
Attorney, Agent, or Firm—Klarquist, Sparkman,
Campbell, Leigh, Winston & Dellett

[57] **CLAIM**

The ornamental design for a transparency viewer, substantially as shown.

DESCRIPTION

FIG. 1 is a right front perspective view of a transparency viewer showing my new design;
FIG. 2 is a left rear perspective view thereof;
FIG. 3 is a front elevational view thereof;
FIG. 4 is a rear elevational view thereof;
FIG. 5 is a top plan view thereof;
FIG. 6 is a bottom plan view thereof and;
FIG. 7 is a right side elevational view thereof.



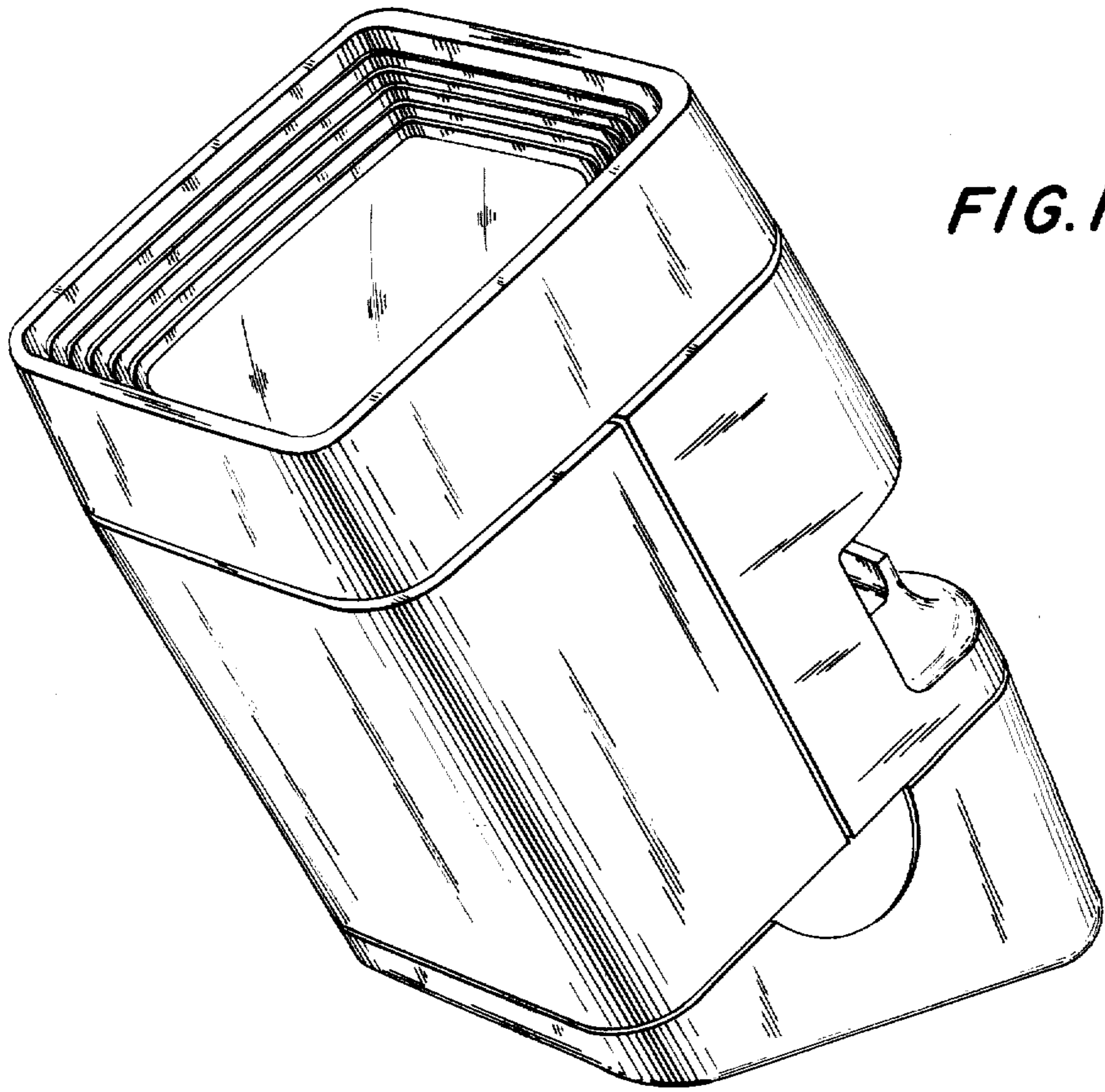


FIG. 1

FIG. 3

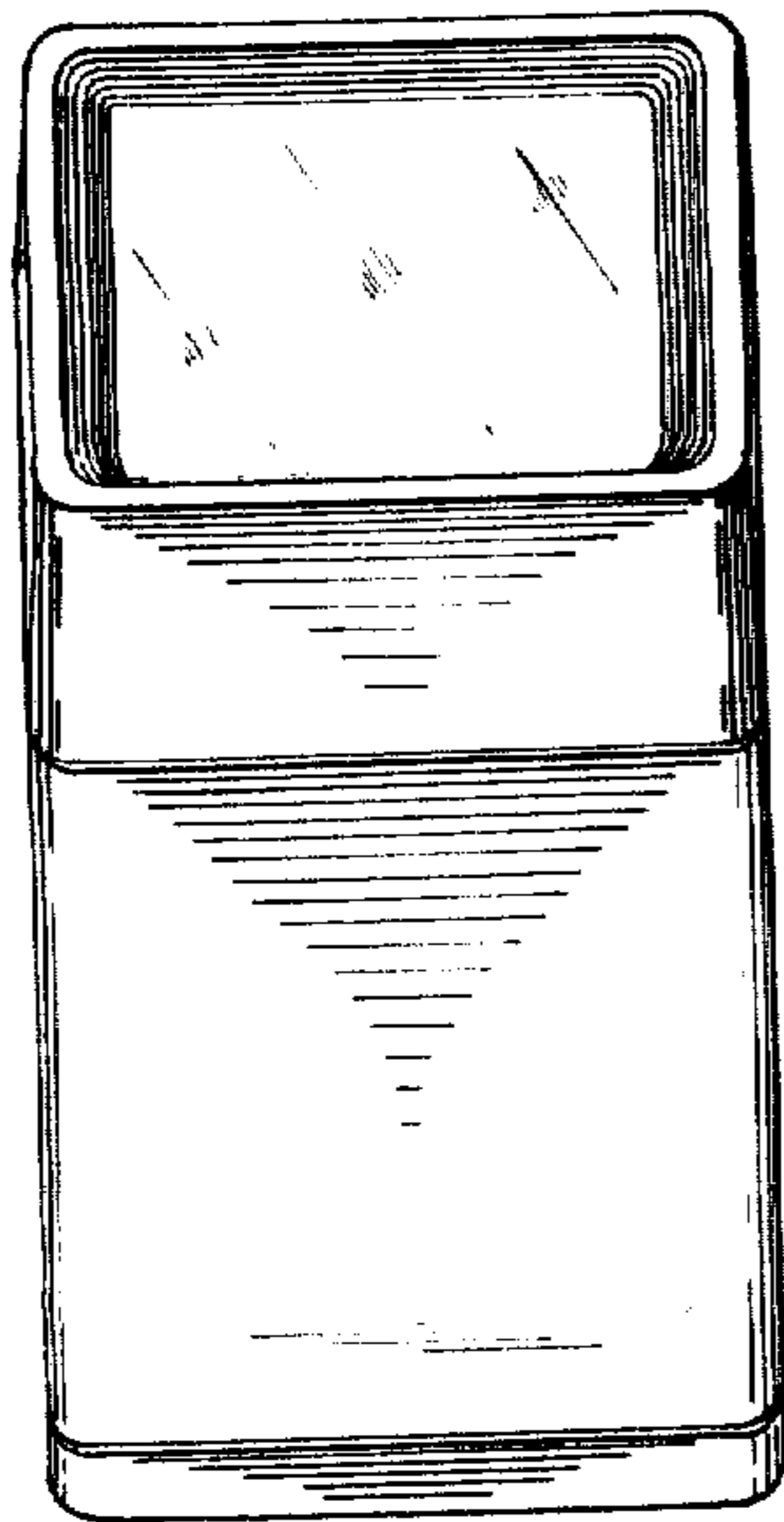


FIG. 4

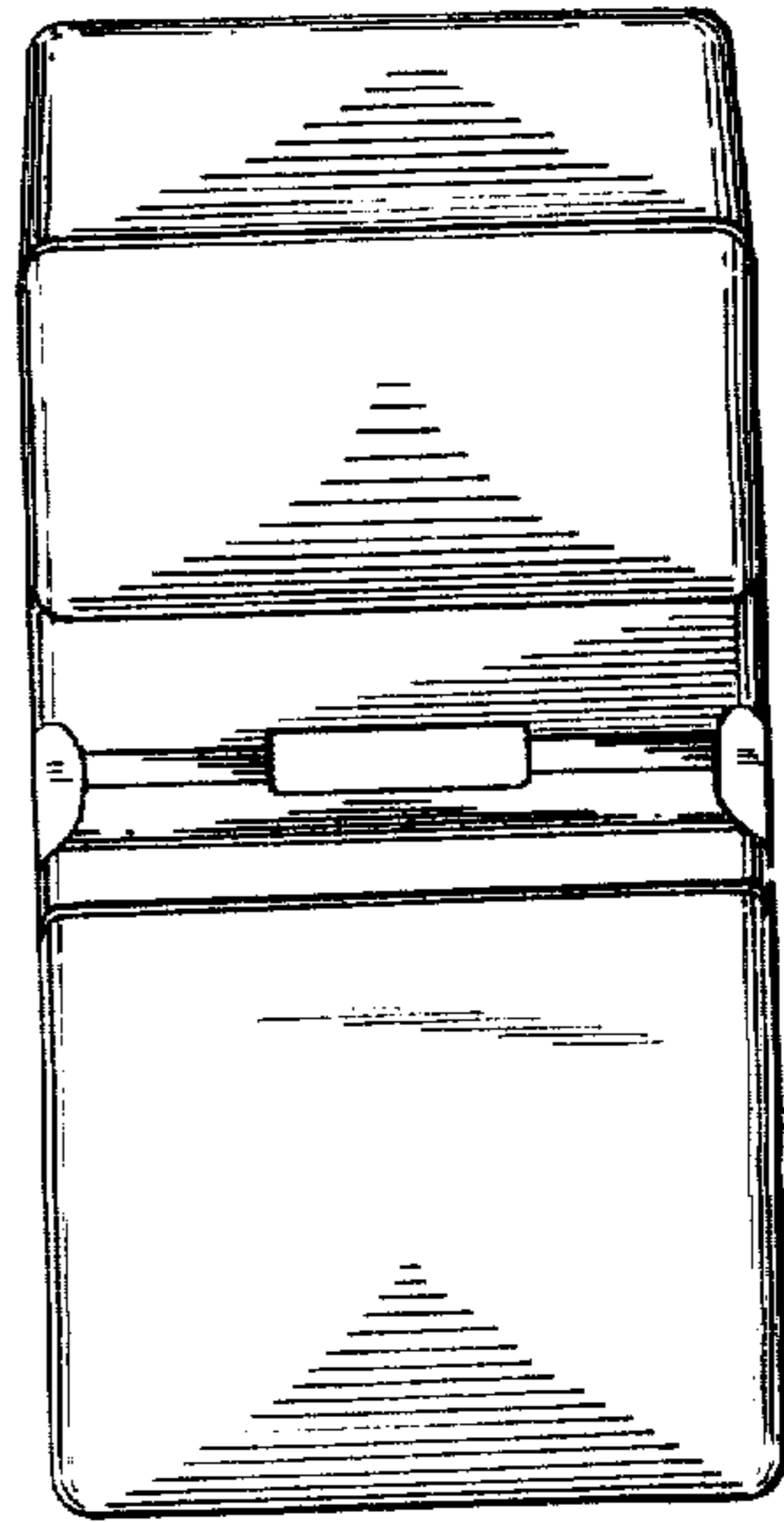
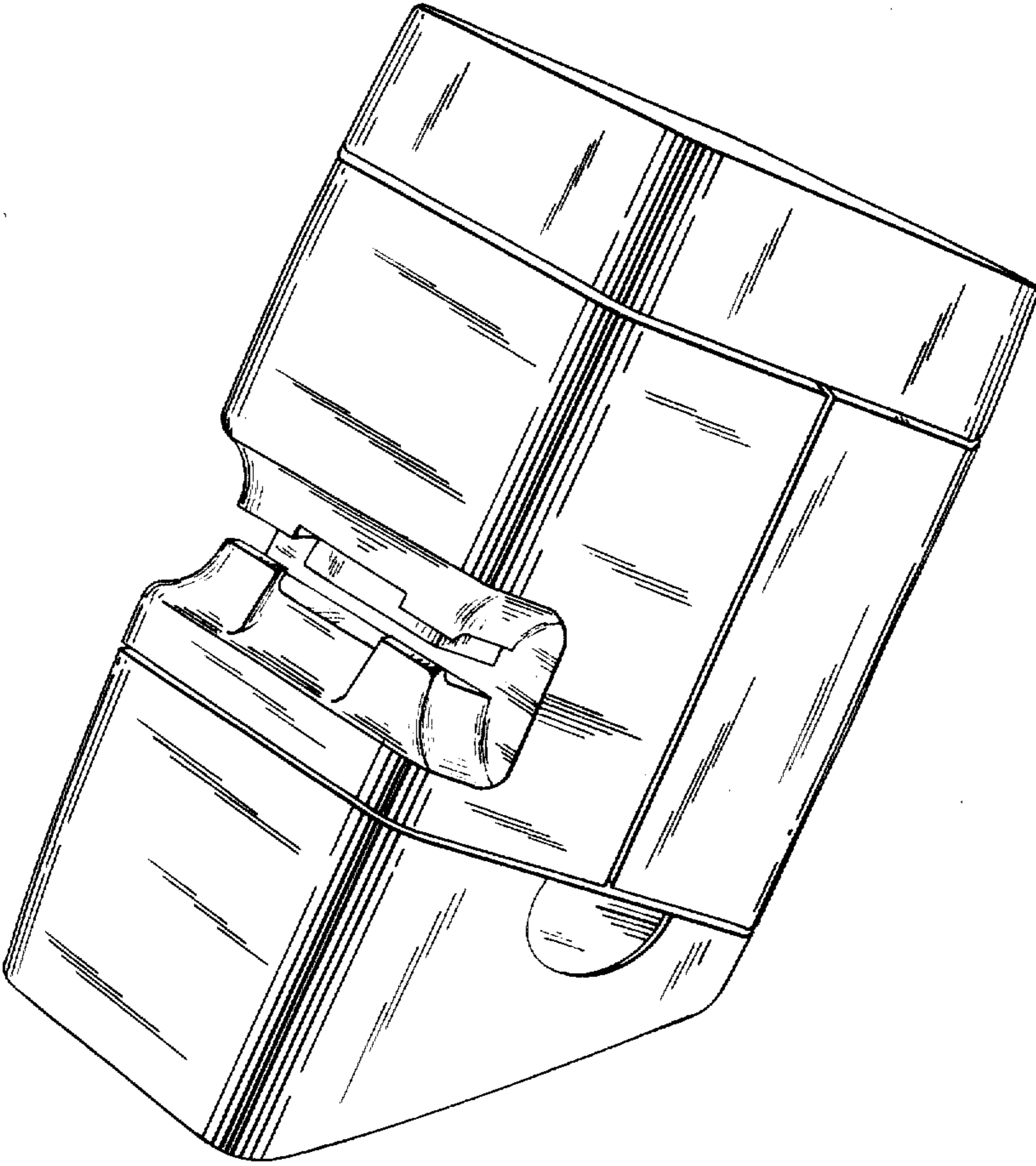


FIG. 2



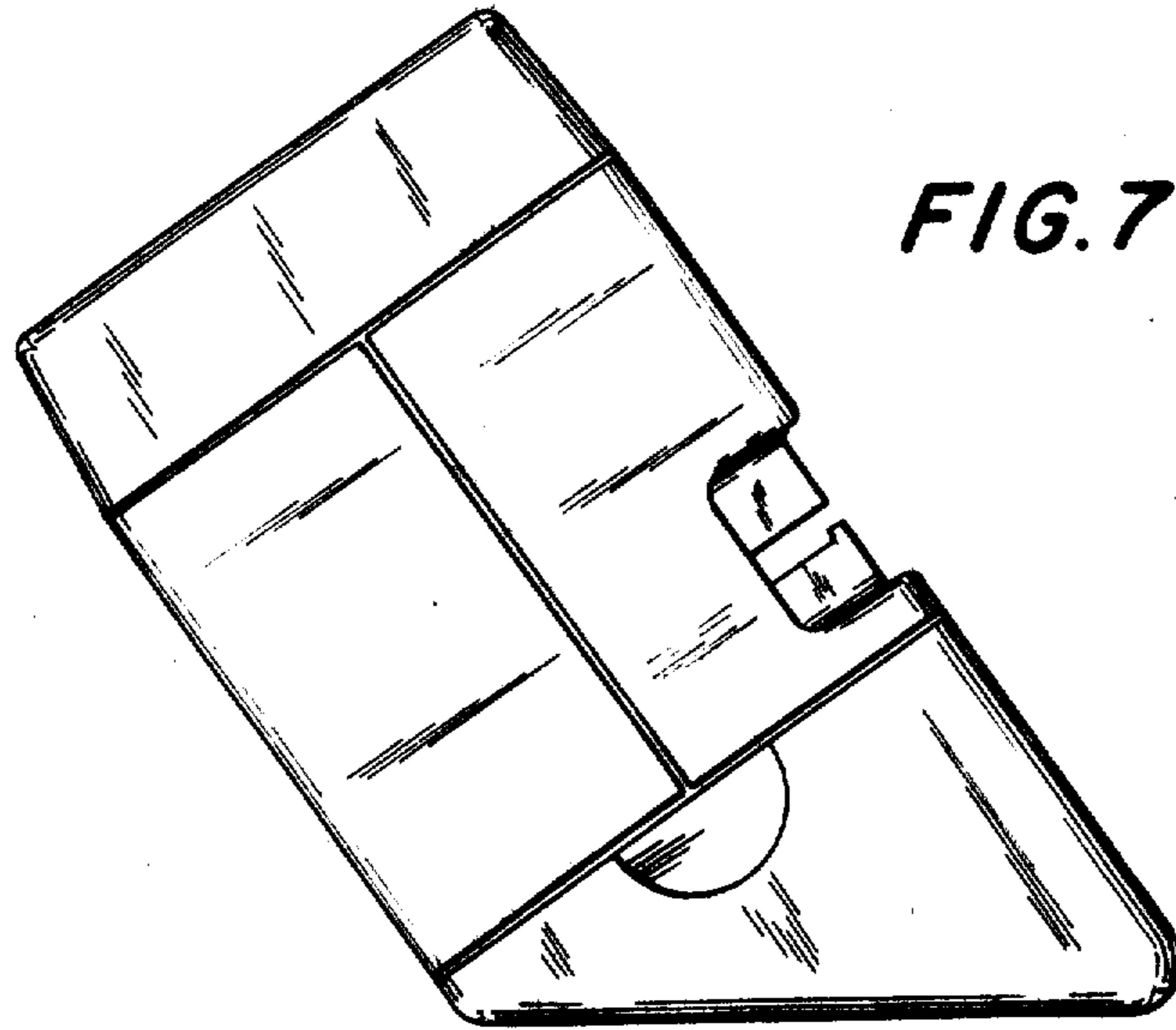


FIG. 5

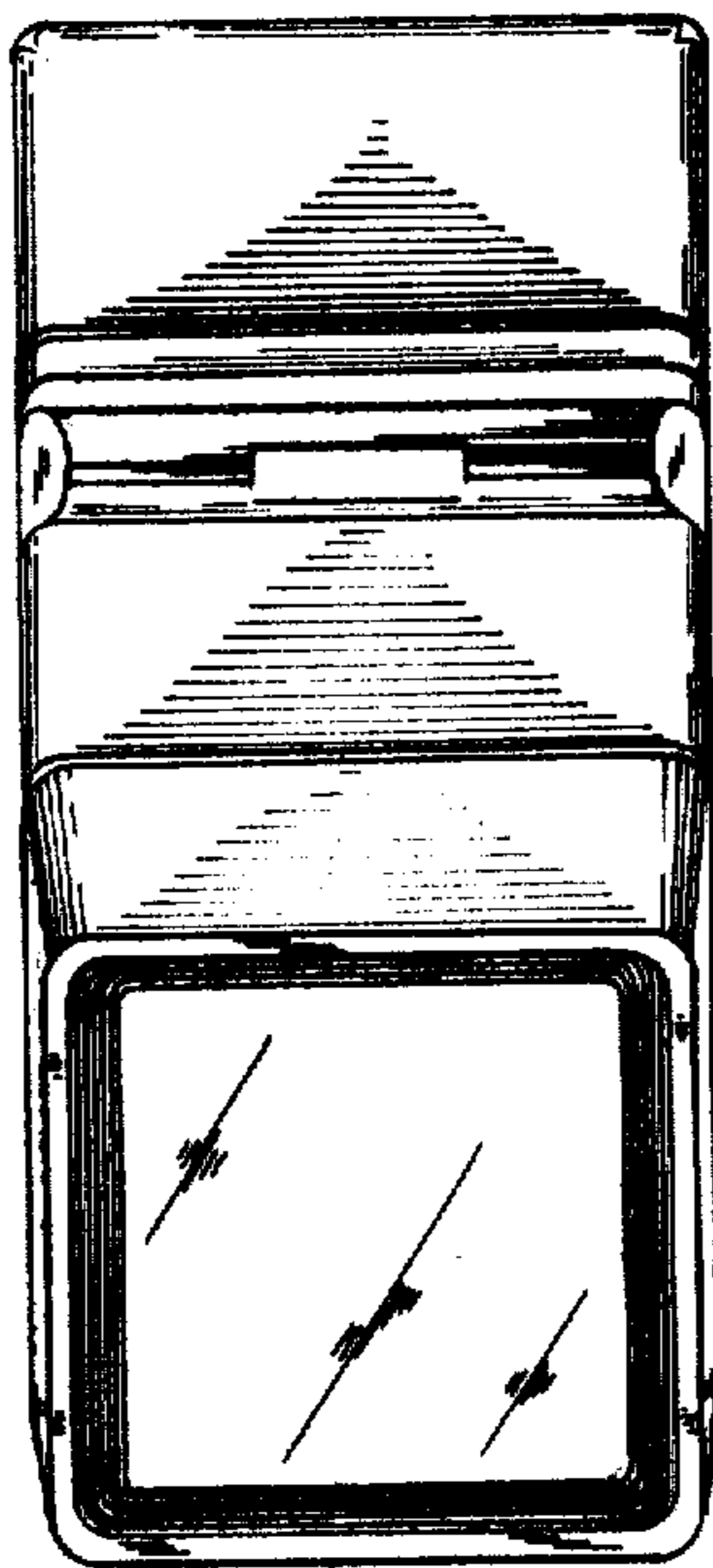


FIG. 6

