

[54] SLIDE VIEWER

[75] Inventors: Paul D. Miller; Martin Thaler, both of New York, N.Y.

[73] Assignee: View-Master International Group, Portland, Oreg.

[\*\*] Term: 14 Years

[21] Appl. No.: 227,869

[22] Filed: Jan. 23, 1981

[51] Int. Cl. .... D16-03

[52] U.S. Cl. .... D16/17

[58] Field of Search ..... D16/11, 14, 15, 17, D16/18; 40/361-367

[56]

References Cited

U.S. PATENT DOCUMENTS

|           |        |             |        |
|-----------|--------|-------------|--------|
| 2,849,814 | 9/1958 | Rideout     | 40/367 |
| 2,869,260 | 1/1959 | Rideout     | 40/367 |
| 3,373,518 | 3/1968 | Bennett     | 40/367 |
| 3,748,765 | 7/1973 | Bass et al. | 40/367 |

3,869,819 3/1975 Weggeland ..... 40/367

FOREIGN PATENT DOCUMENTS

1274377 8/1968 Fed. Rep. of Germany ..... 40/363

2257476 6/1973 Fed. Rep. of Germany ..... 40/364

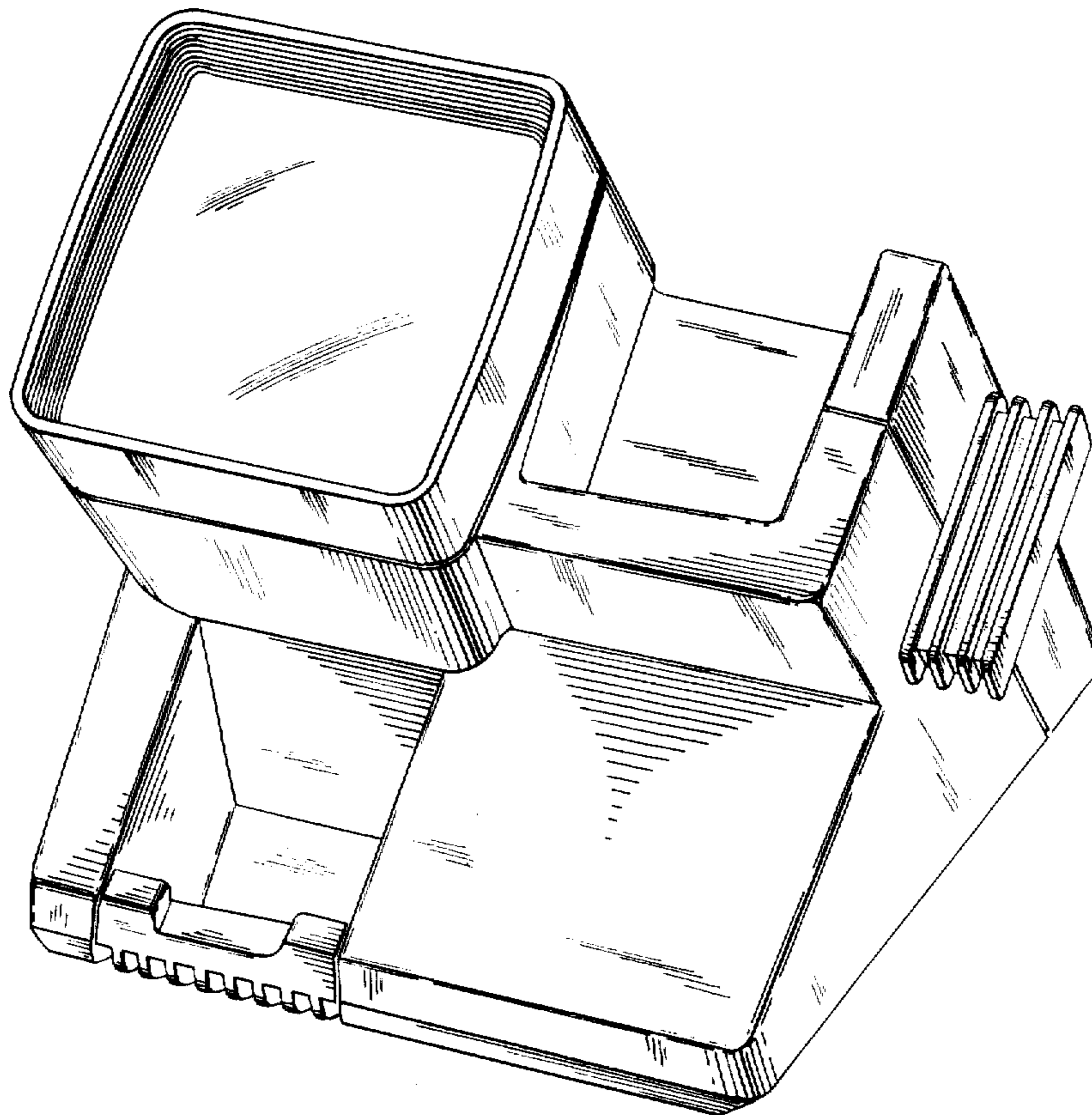
Primary Examiner—Nelson C. Holtje  
Attorney, Agent, or Firm—Klarquist, Sparkman,  
Campbell, Leigh, Whinston & Dellett

[57] CLAIM

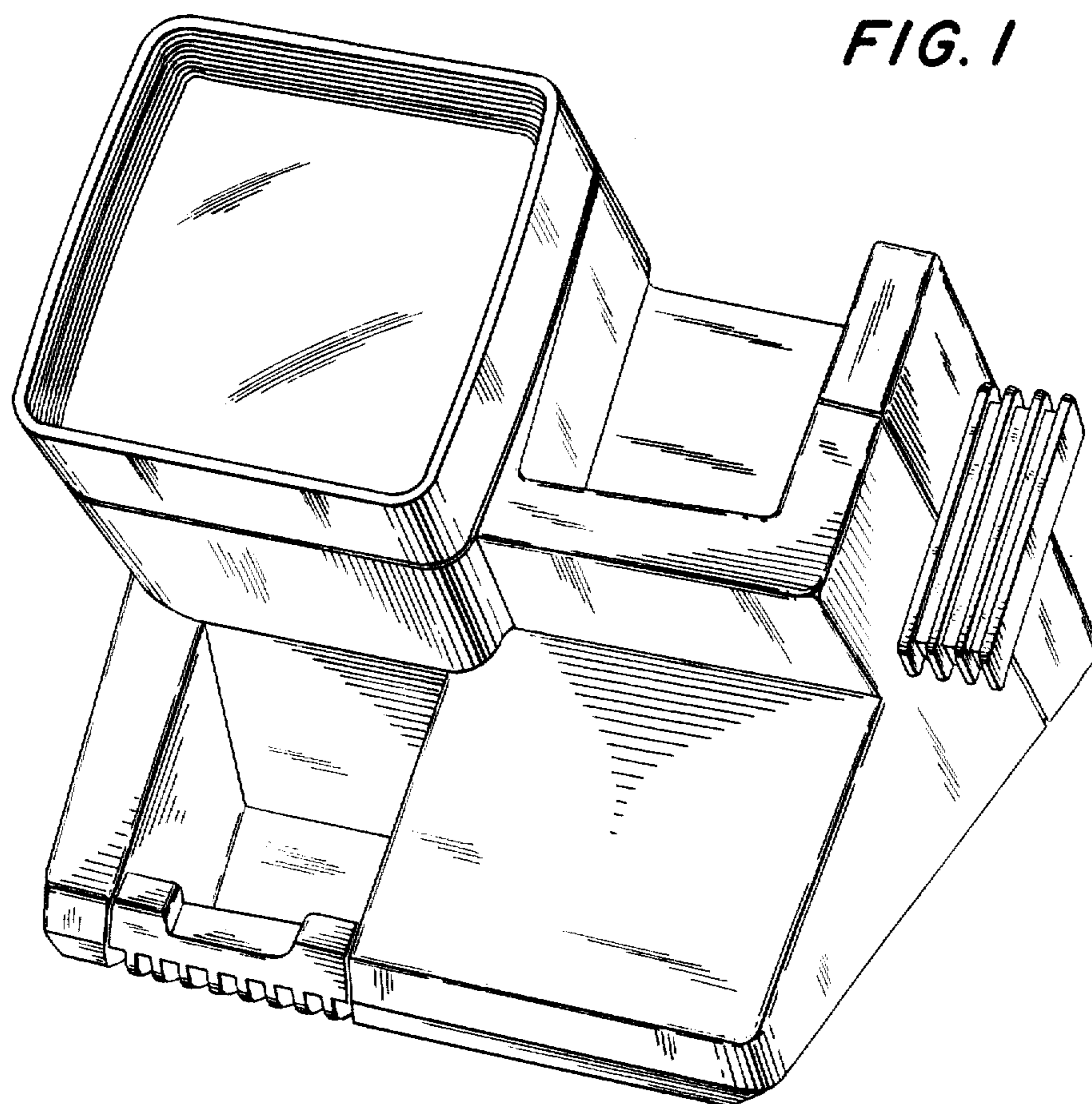
The ornamental design for a slide viewer, substantially as shown.

DESCRIPTION

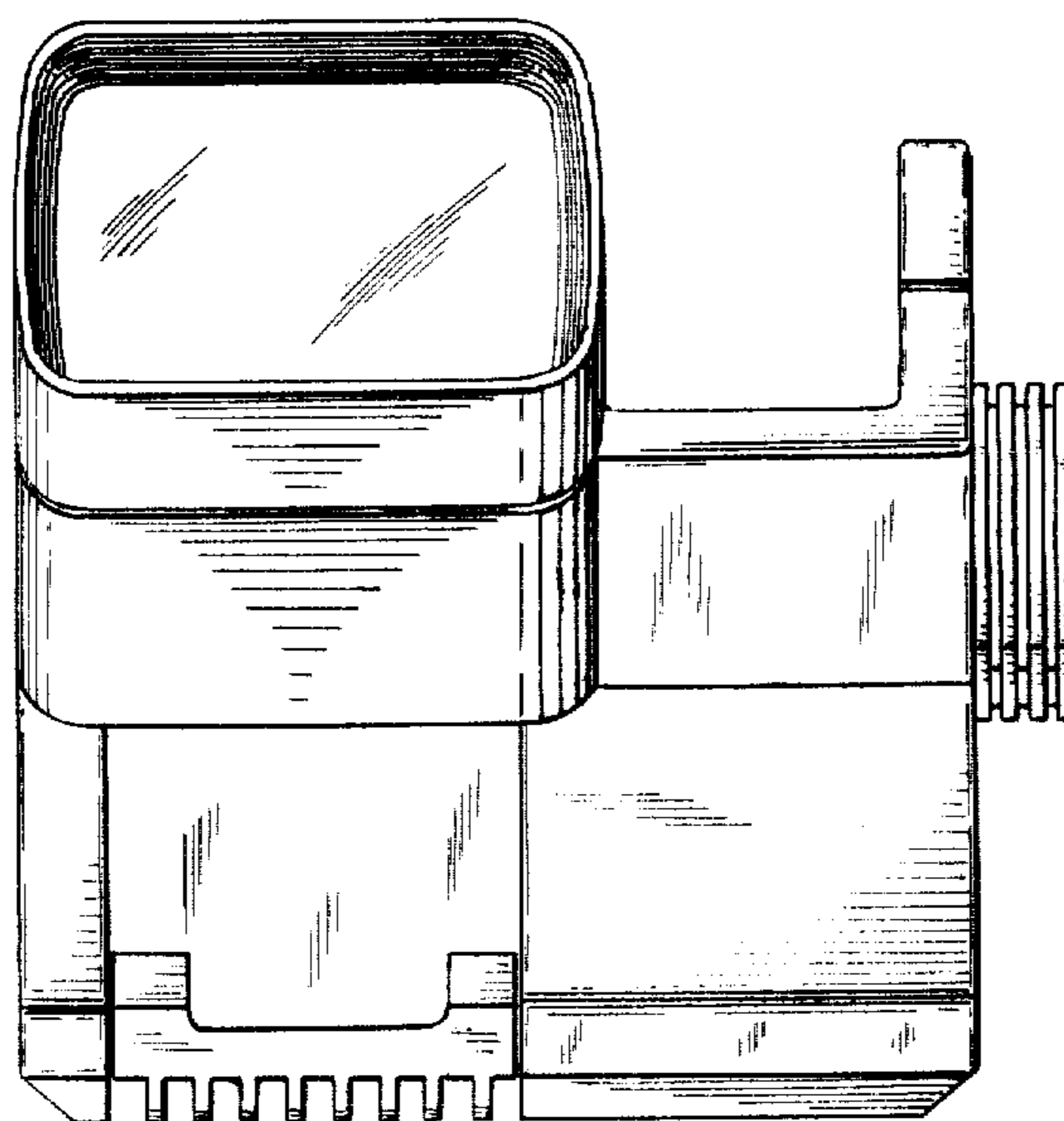
FIG. 1 is a right front perspective view of a slide viewer showing our new design;  
FIG. 2 is a right rear perspective view thereof;  
FIG. 3 is a front elevational view thereof;  
FIG. 4 is a rear elevational view thereof;  
FIG. 5 is a right side elevational view thereof;  
FIG. 6 is a left side elevational view thereof;  
FIG. 7 is a top plan view thereof;  
FIG. 8 is a bottom plan view thereof.



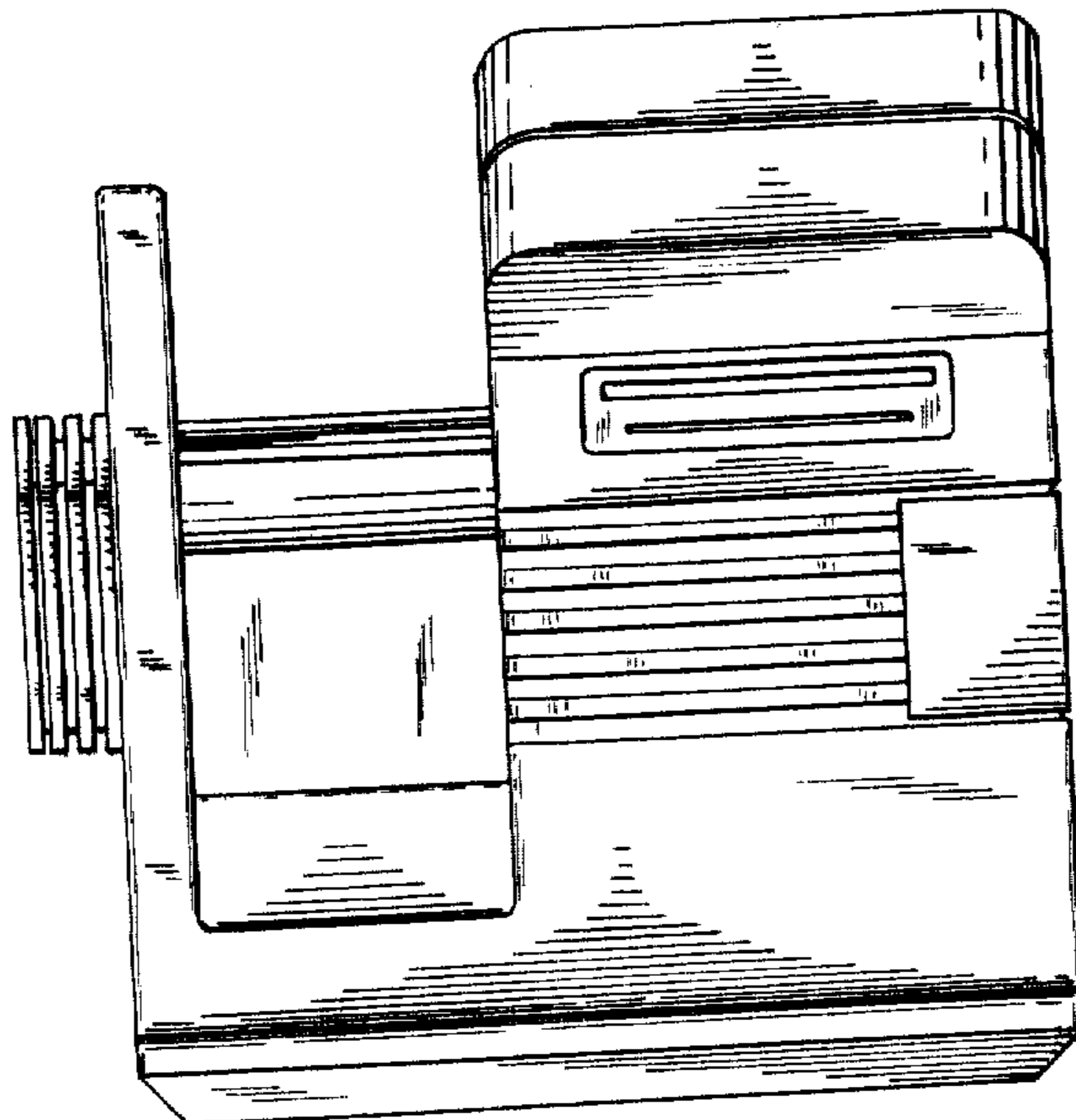
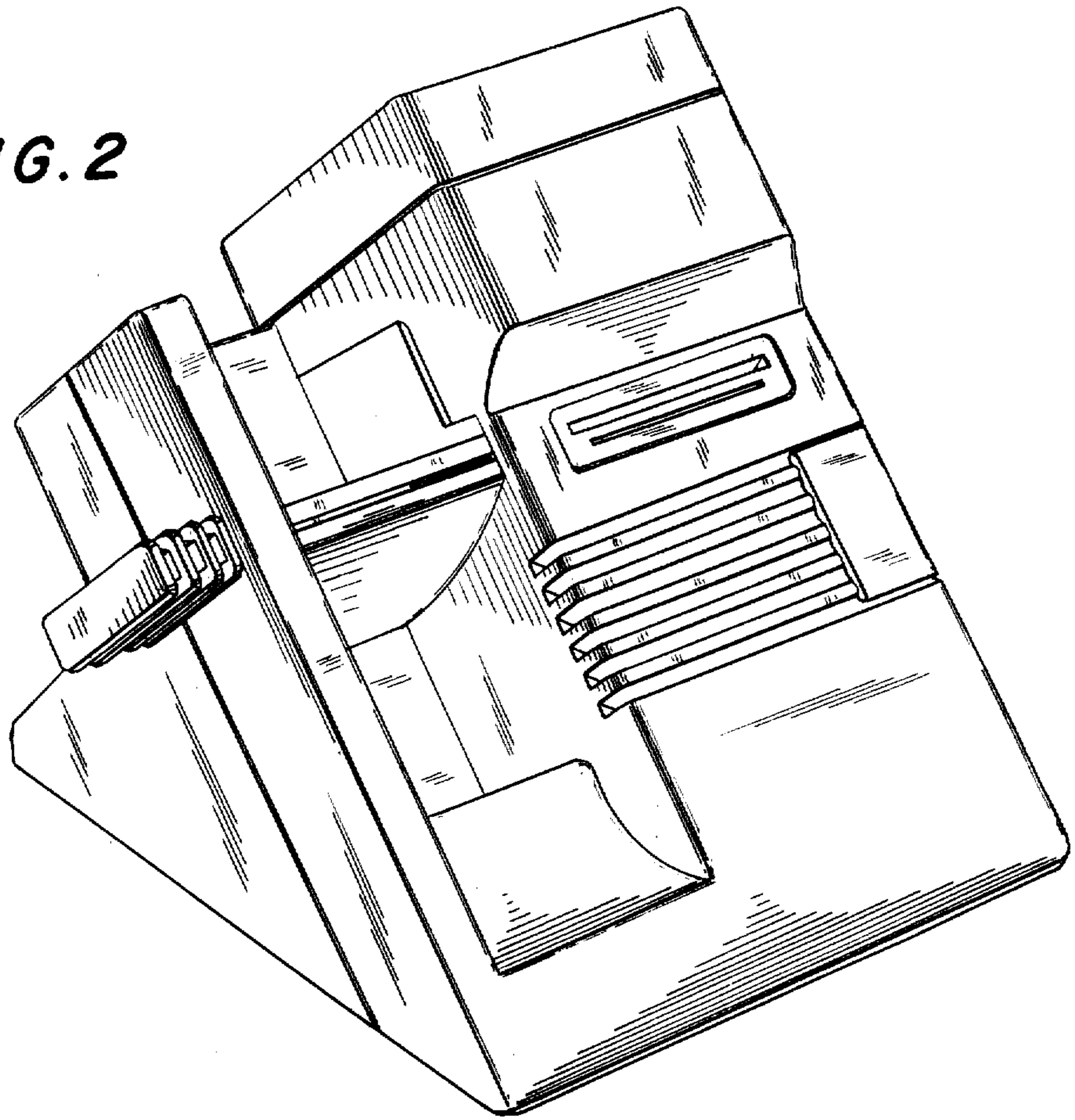
*FIG. 1*



*FIG. 3*

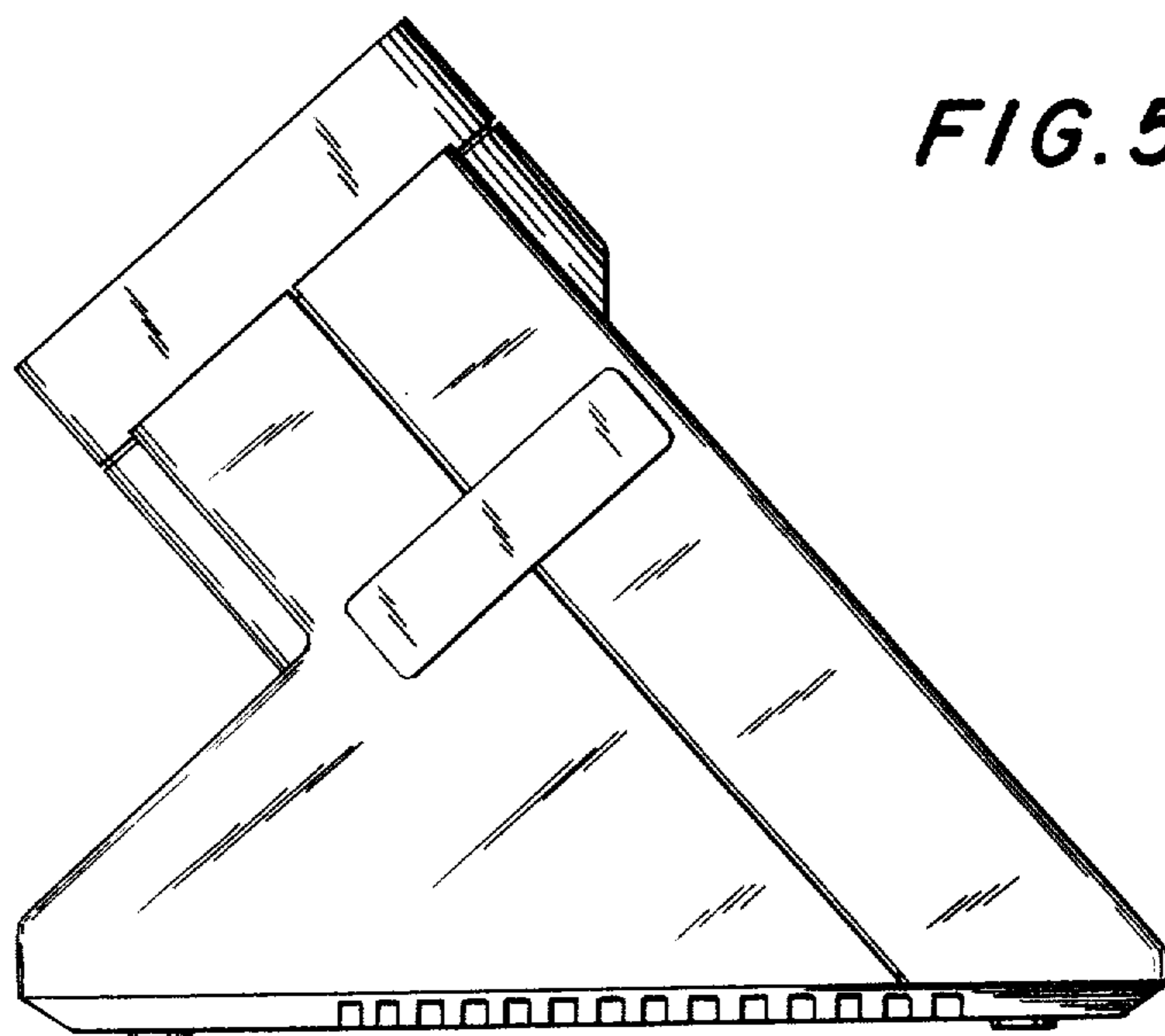


**FIG. 2**



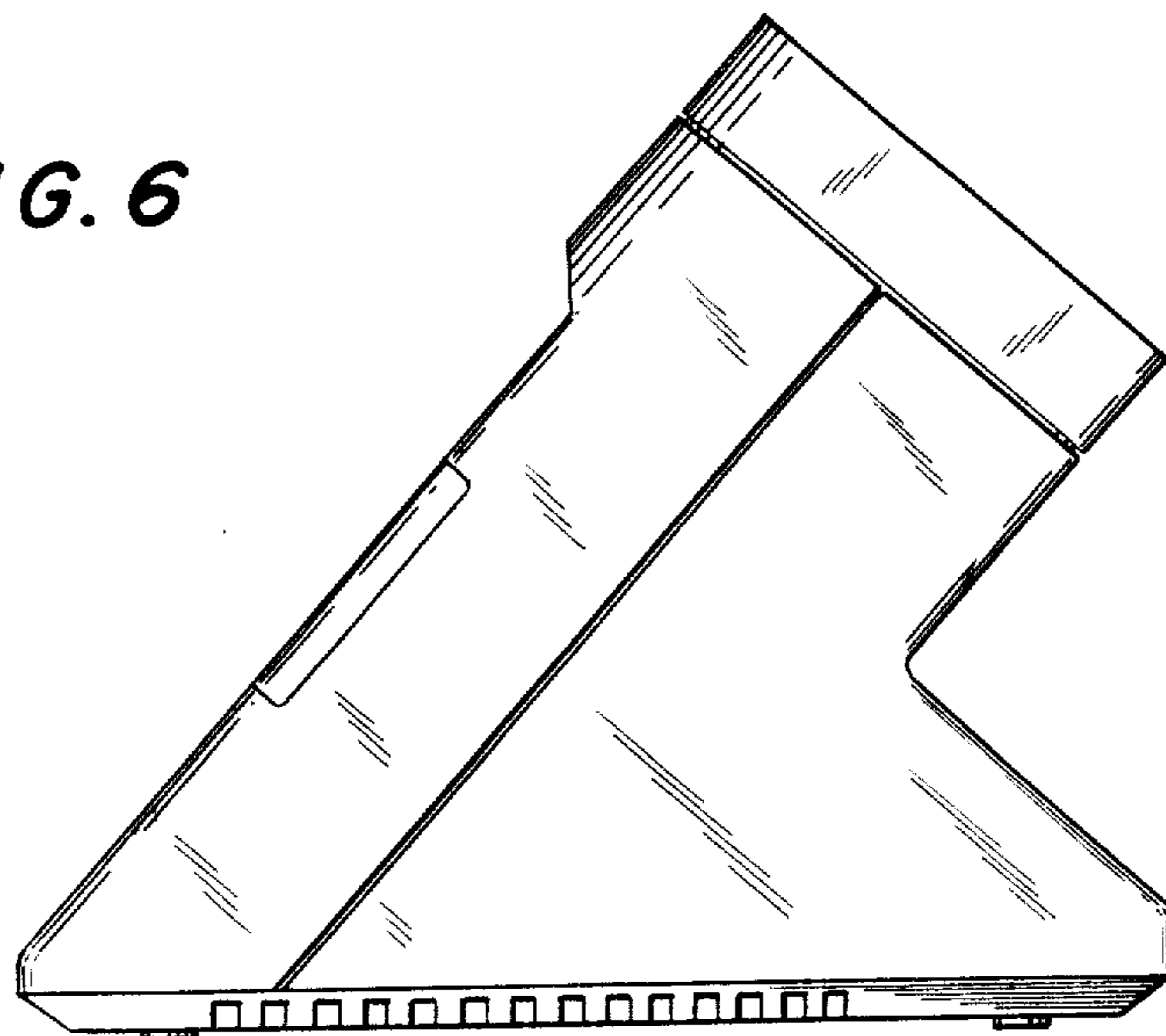
**FIG. 4**



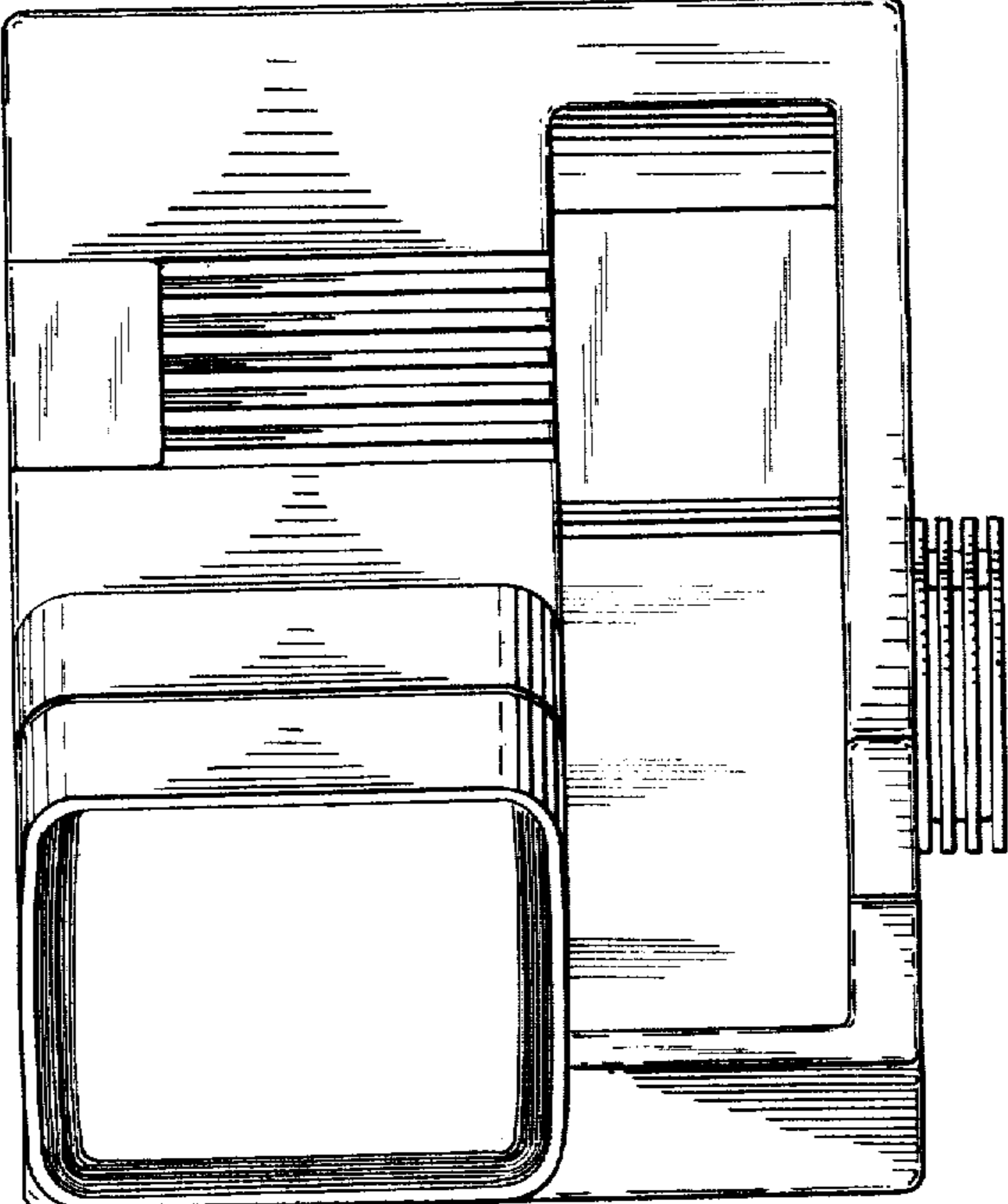


**FIG. 5**

**FIG. 6**



**FIG. 7**



**FIG. 8**

