

[54] **PORTABLE ORE SEPARATING BOWL**

[76] Inventors: **Wilbert H. Cubbison; Flossie E. Cubbison**, both of P.O. Box 322, Canyonville, Oreg. 97417

[**] Term: **14 Years**

[21] Appl. No.: **176,066**

[22] Filed: **Mar. 10, 1981**

[51] Int. Cl. **D15-99**

[52] U.S. Cl. **D15/147**

[58] Field of Search **D15/147; 209/447, 458, 209/484, 506; D7/59**

1,948,797 2/1934 Nicolai 209/447

1,966,359 7/1934 Ryan 209/447

1,972,645 9/1934 Danills 209/447

3,855,119 12/1974 Stephenson 209/447

4,162,969 7/1979 Lagal 209/506

4,267,036 5/1981 Kleven 209/506

Primary Examiner—B. J. Bullock

[57] **CLAIM**

The ornamental design for a portable ore separating bowl, as shown.

DESCRIPTION

FIG. 1 is a reduced perspective view of a portable ore separating bowl showing our new design;

FIG. 2 is a top plan view thereof;

FIG. 3 is a side elevational view thereof;

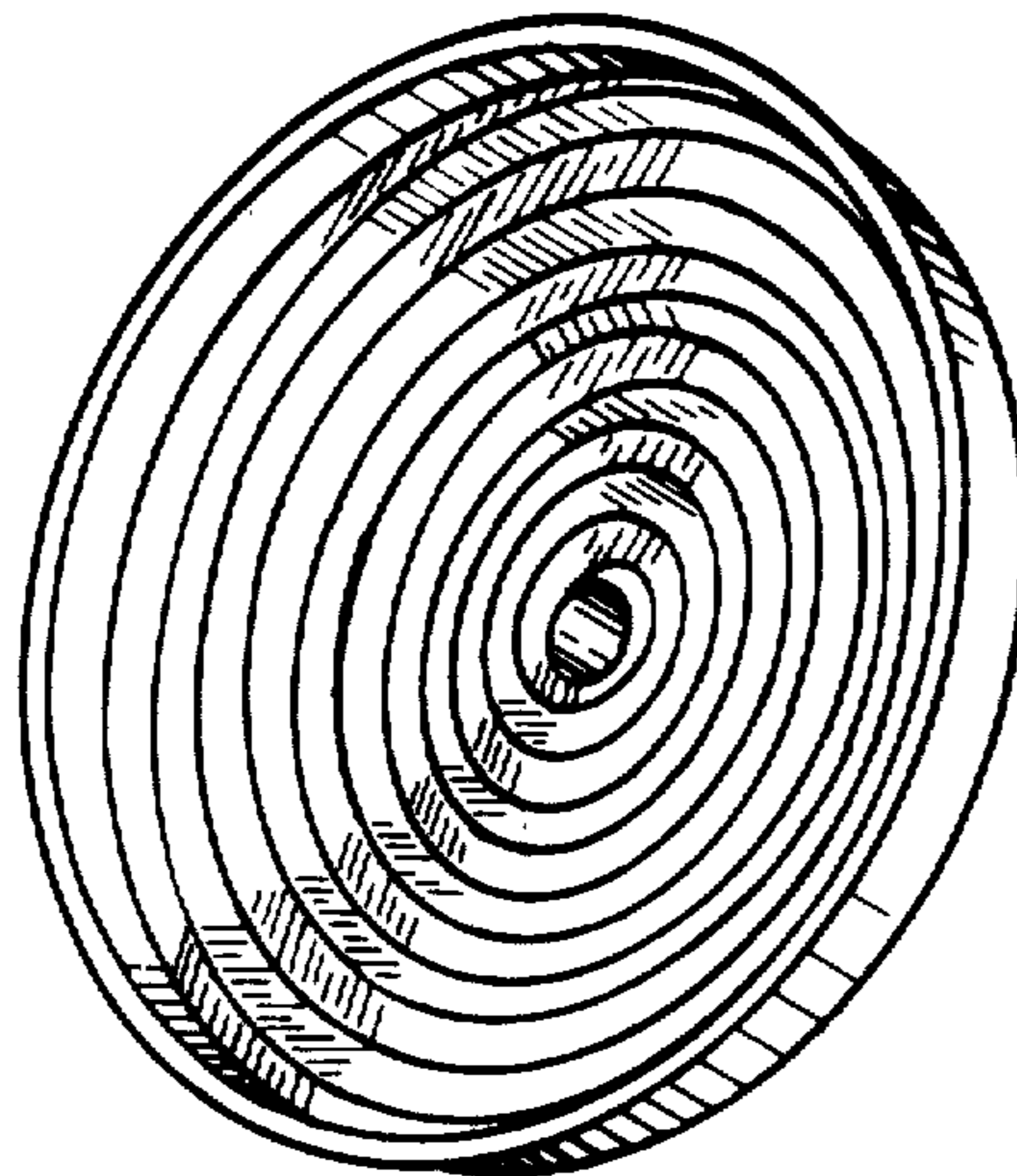
FIG. 4 is an enlarged side elevational view shown broken away for clarity of illustration.

[56] **References Cited**

U.S. PATENT DOCUMENTS

D. 243,380 2/1977 Berg D7/59

634,120 10/1899 Moore 209/447



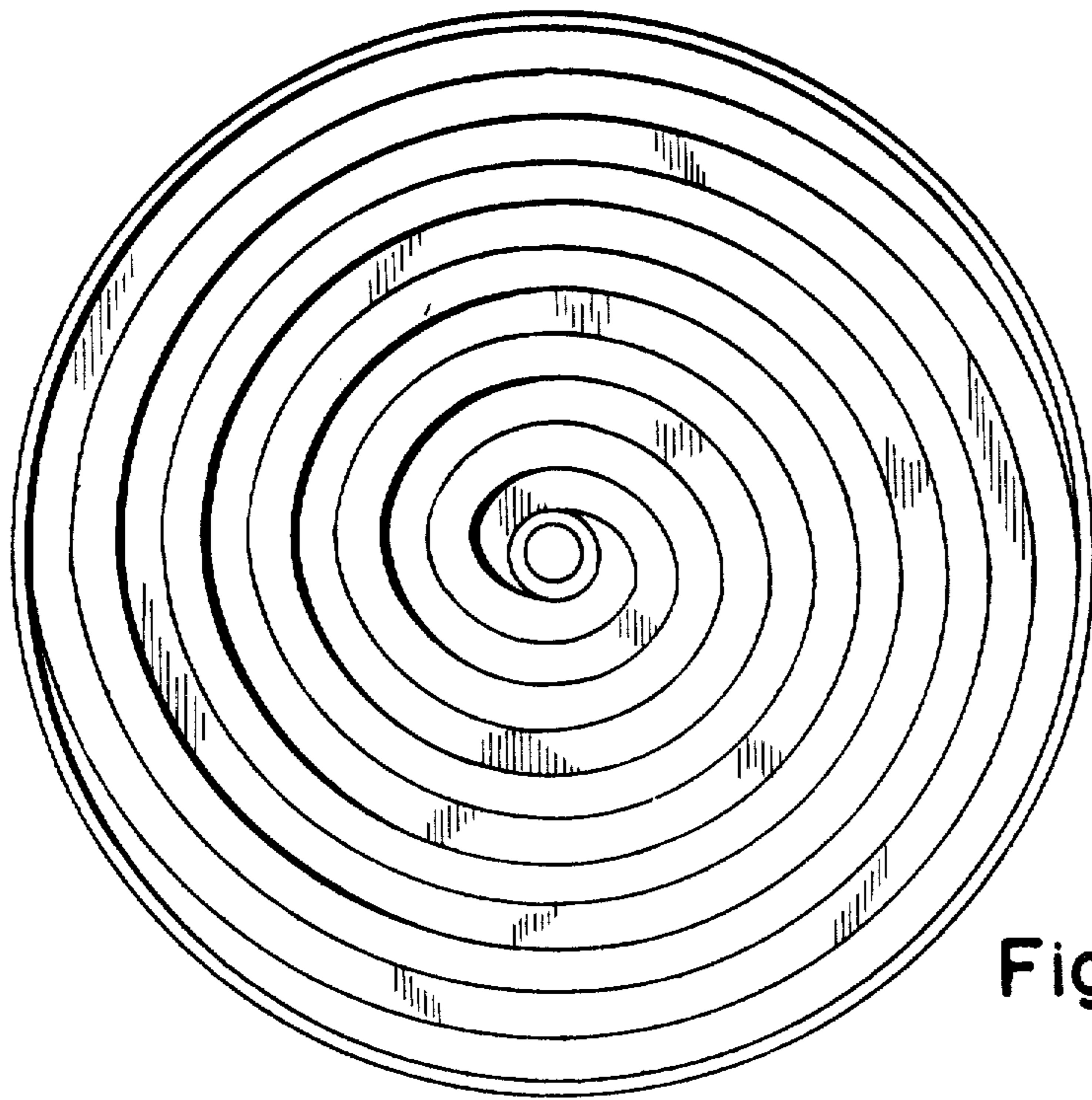


Fig. 2

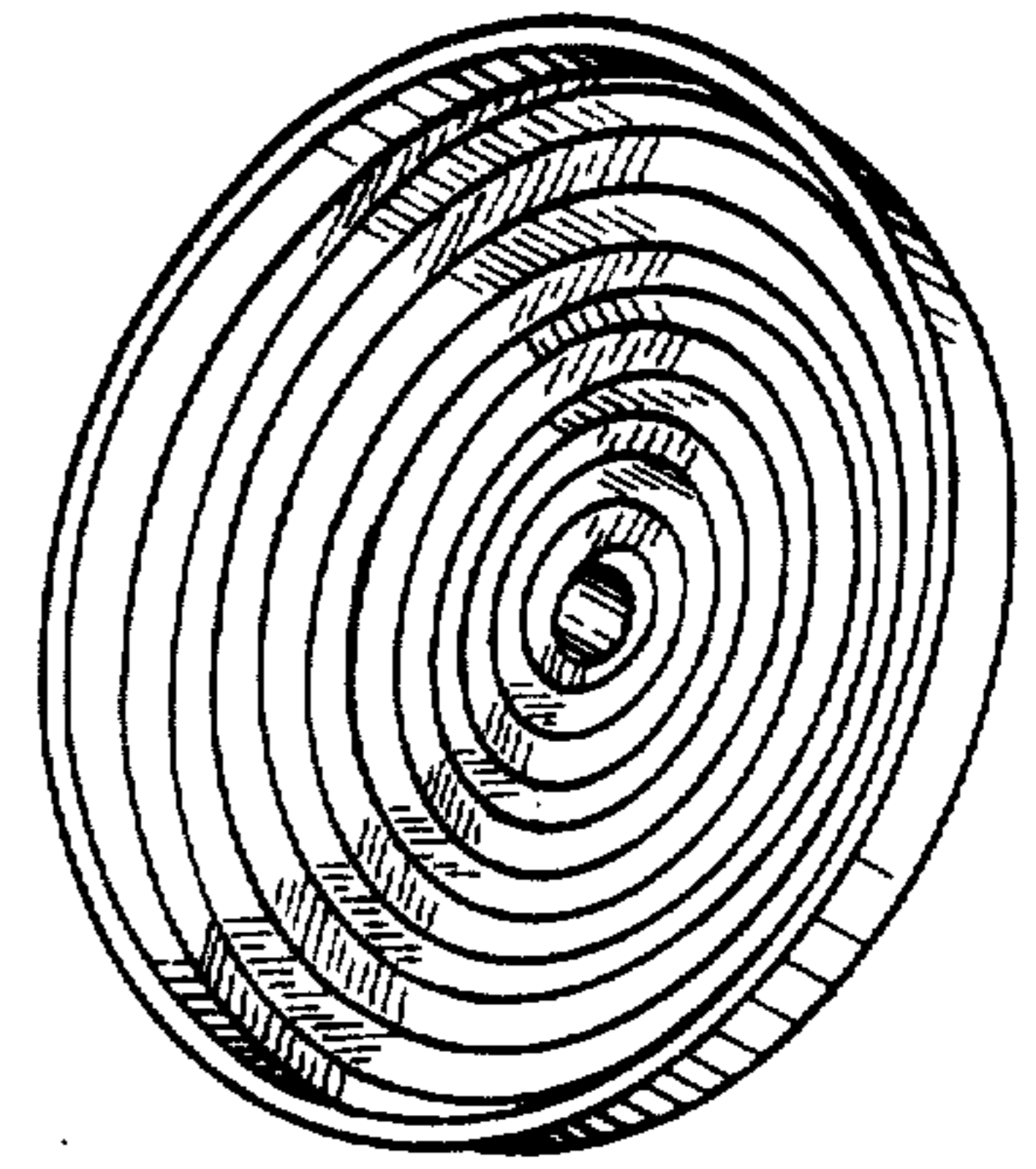


Fig. 1

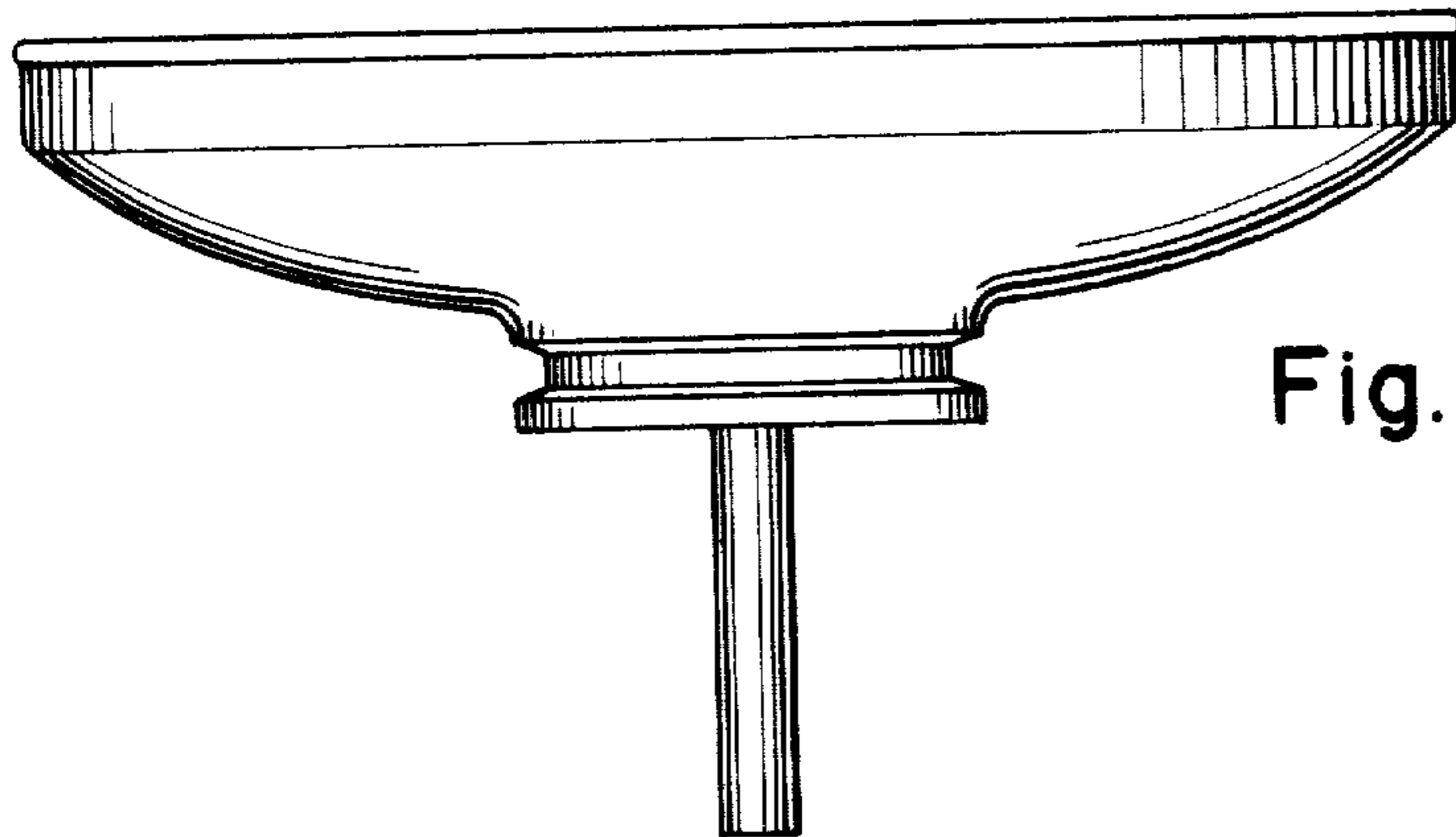


Fig. 3

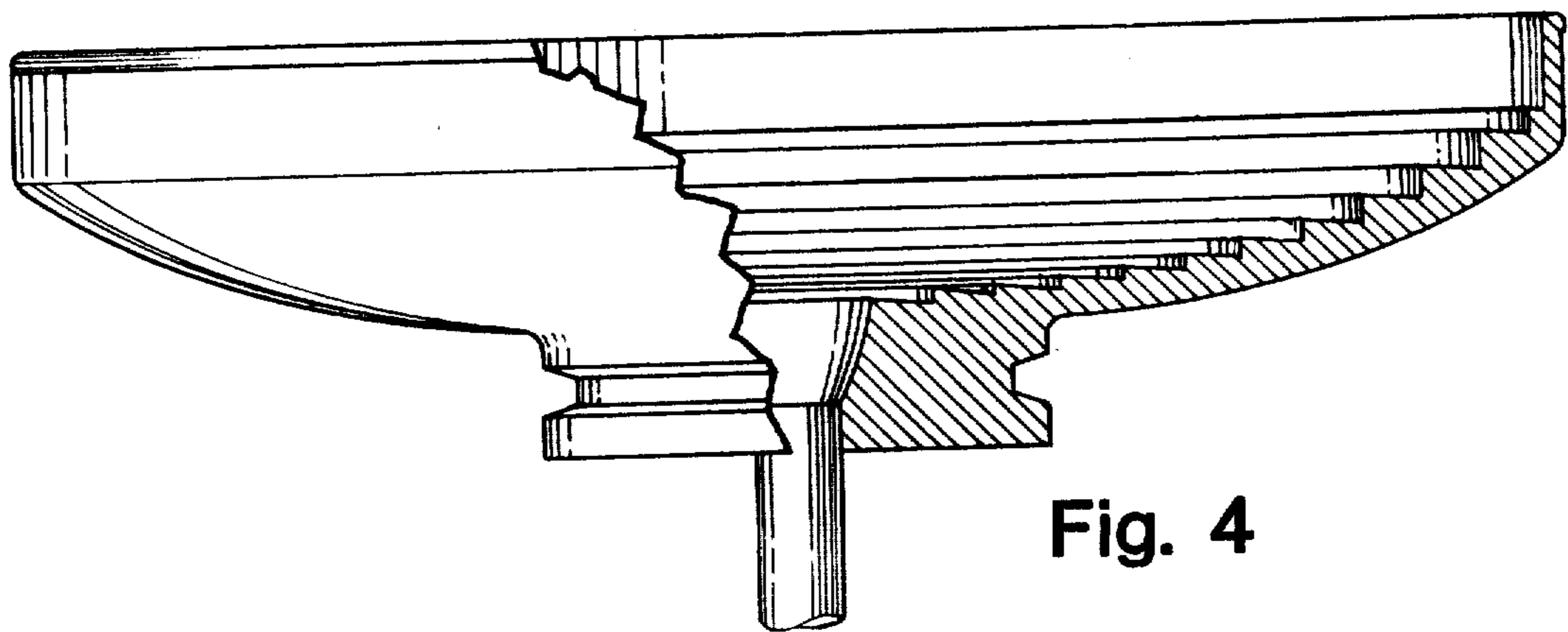


Fig. 4