

[54] INDUSTRIAL ROBOT

[75] Inventors: Michinaga Kono; Yoshio Matsumoto, both of Yokohama; Hirosuke Katsumi, Tokyo; Fumio Fukuchi, Funabashi, all of Japan

[73] Assignee: Hitachi, Ltd., Tokyo, Japan

[**] Term: 14 Years

[21] Appl. No.: 137,492

[22] Filed: Apr. 4, 1980

[30] Foreign Application Priority Data

Oct. 5, 1979 [JP]	Japan	54-41673
Feb. 12, 1980 [JP]	Japan	55-4391
Mar. 26, 1980 [JP]	Japan	55-11412

[51] Int. Cl. D15-99

[52] U.S. Cl. D15/122; D15/199

[58] Field of Search D15/122, 140, 141, 199; 29/568; 219/86.25, 125.1; 414/732, 733, 735, 738

[56] References Cited

U.S. PATENT DOCUMENTS

3,227,290	1/1966	Lemelson	414/729
4,076,131	2/1978	Dahlstrom et al.	414/735
4,273,506	6/1981	Thomson et al.	414/735
4,274,802	6/1981	Inaba et al.	D15/122

Primary Examiner—B. J. Bullock

Attorney, Agent, or Firm—Antonelli, Terry & Wands

[57] CLAIM

The ornamental design of a industrial robot, as shown and described.

DESCRIPTION

FIG. 1 is a front elevational view of an industrial robot showing our new design; FIG. 2 is a side elevational view taken from the right of FIG. 1, the side opposite being a mirror image thereof; FIG. 3 is a top plan view thereof; FIG. 4 is a bottom plan view thereof; FIG. 5 is a rear elevational view thereof; and FIG. 6 is a perspective view thereof.

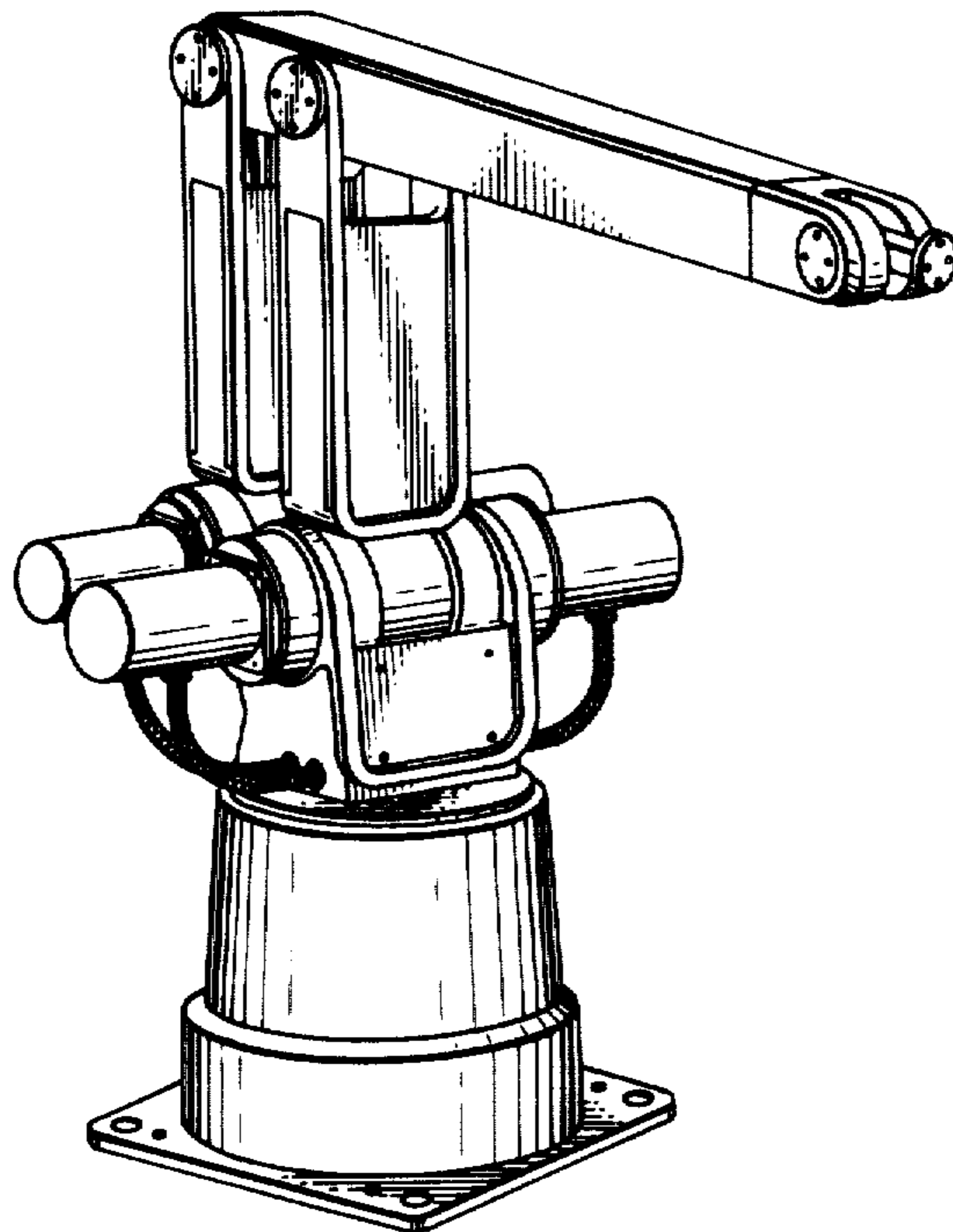


FIG. 1

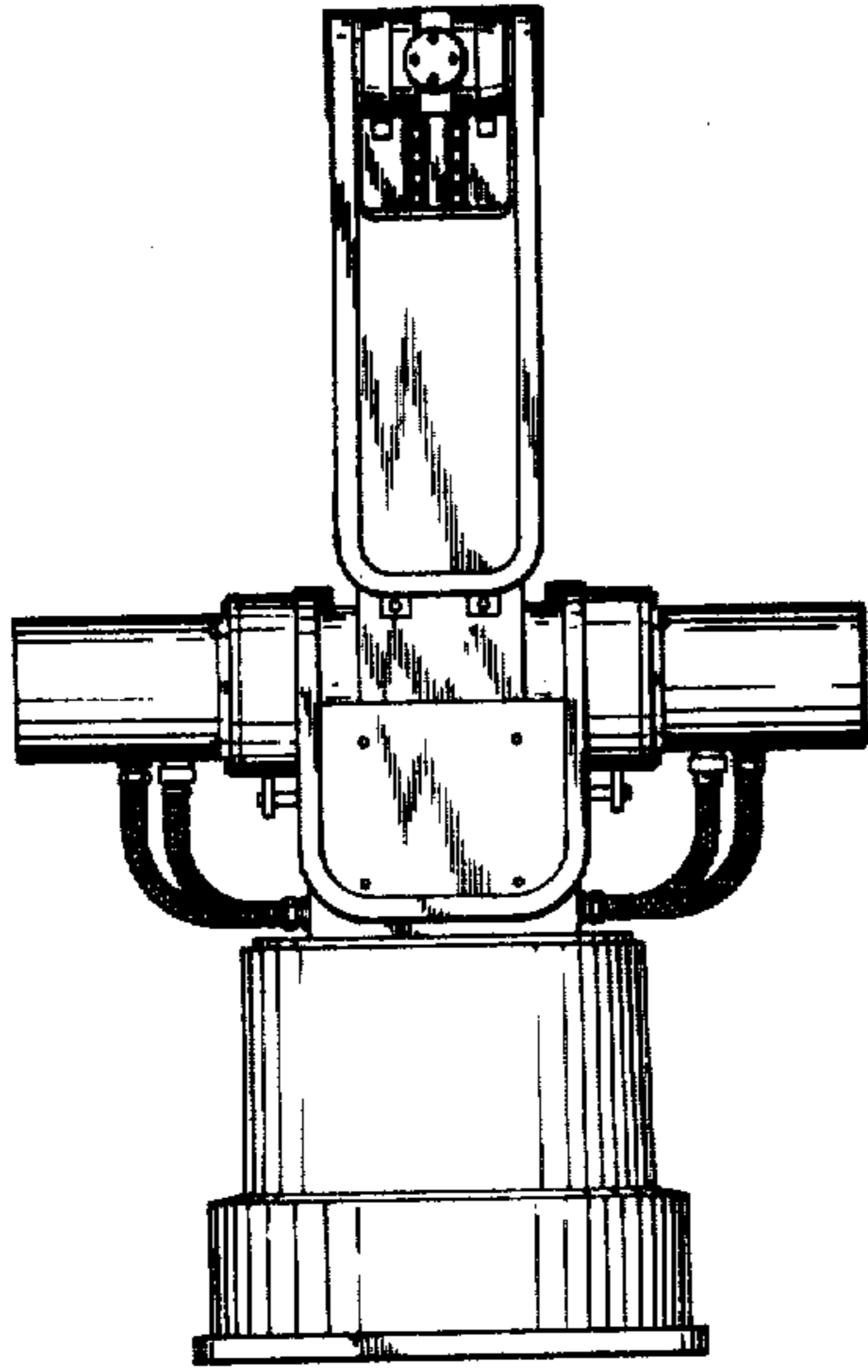


FIG. 2

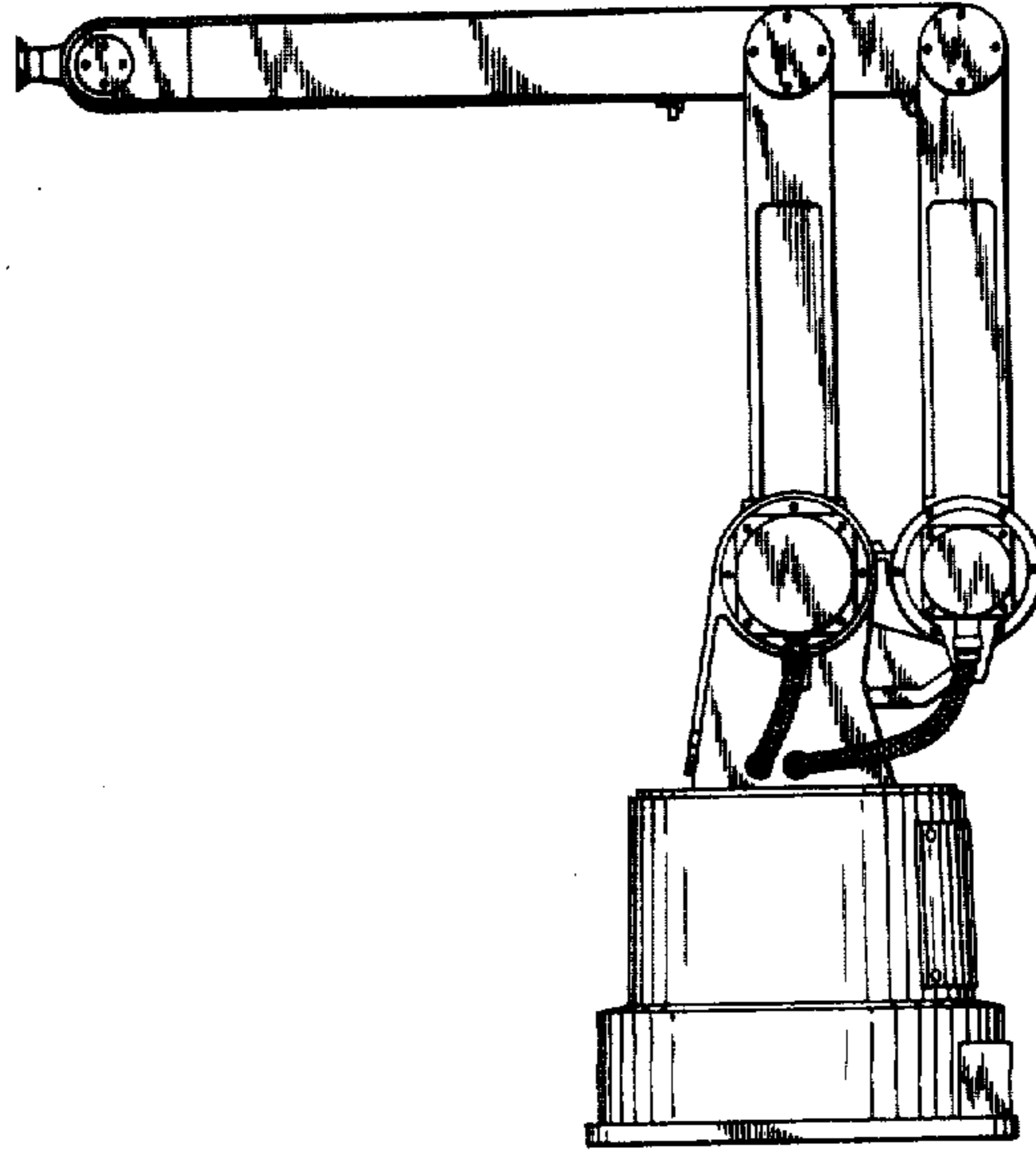


FIG. 3

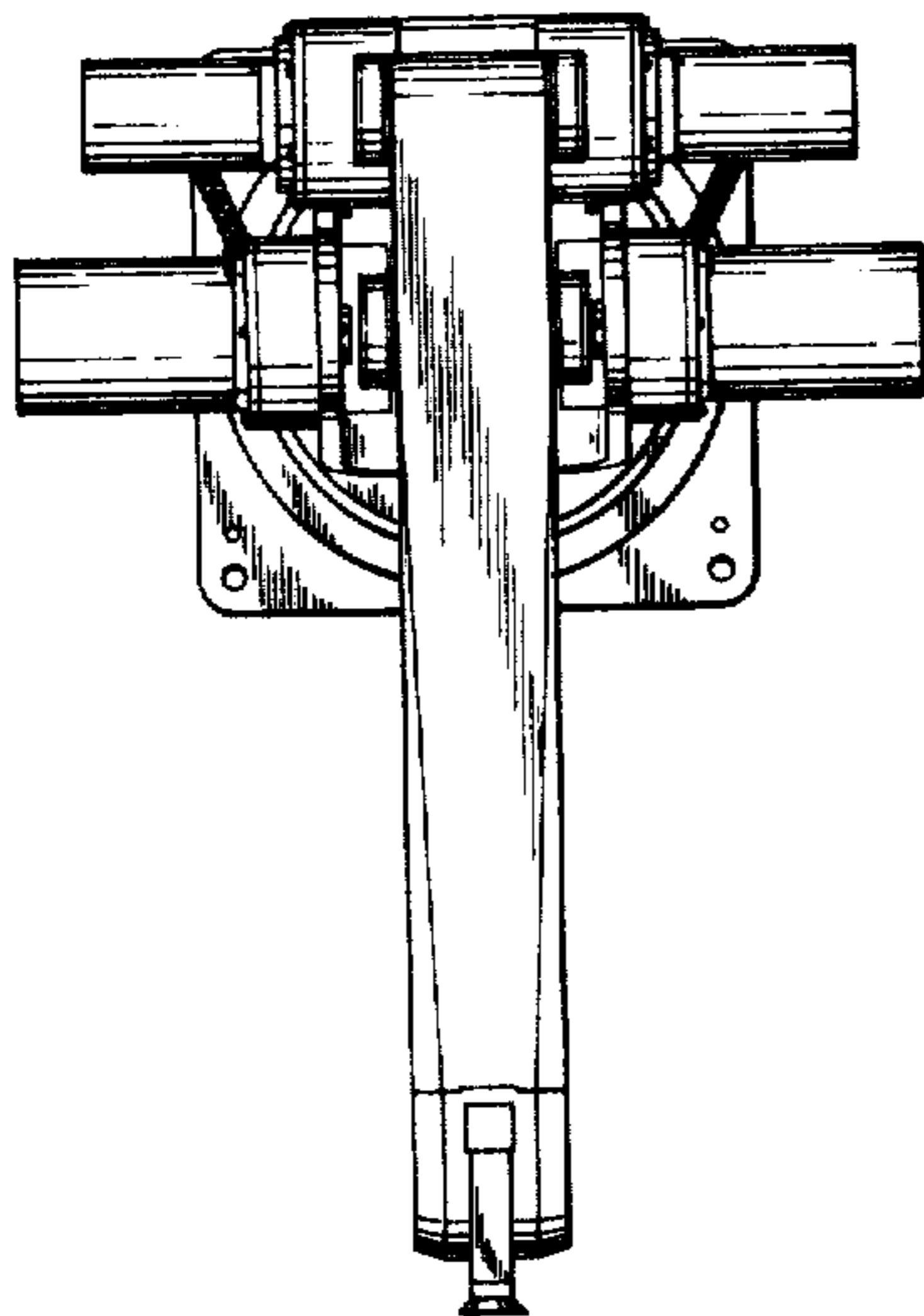


FIG. 4

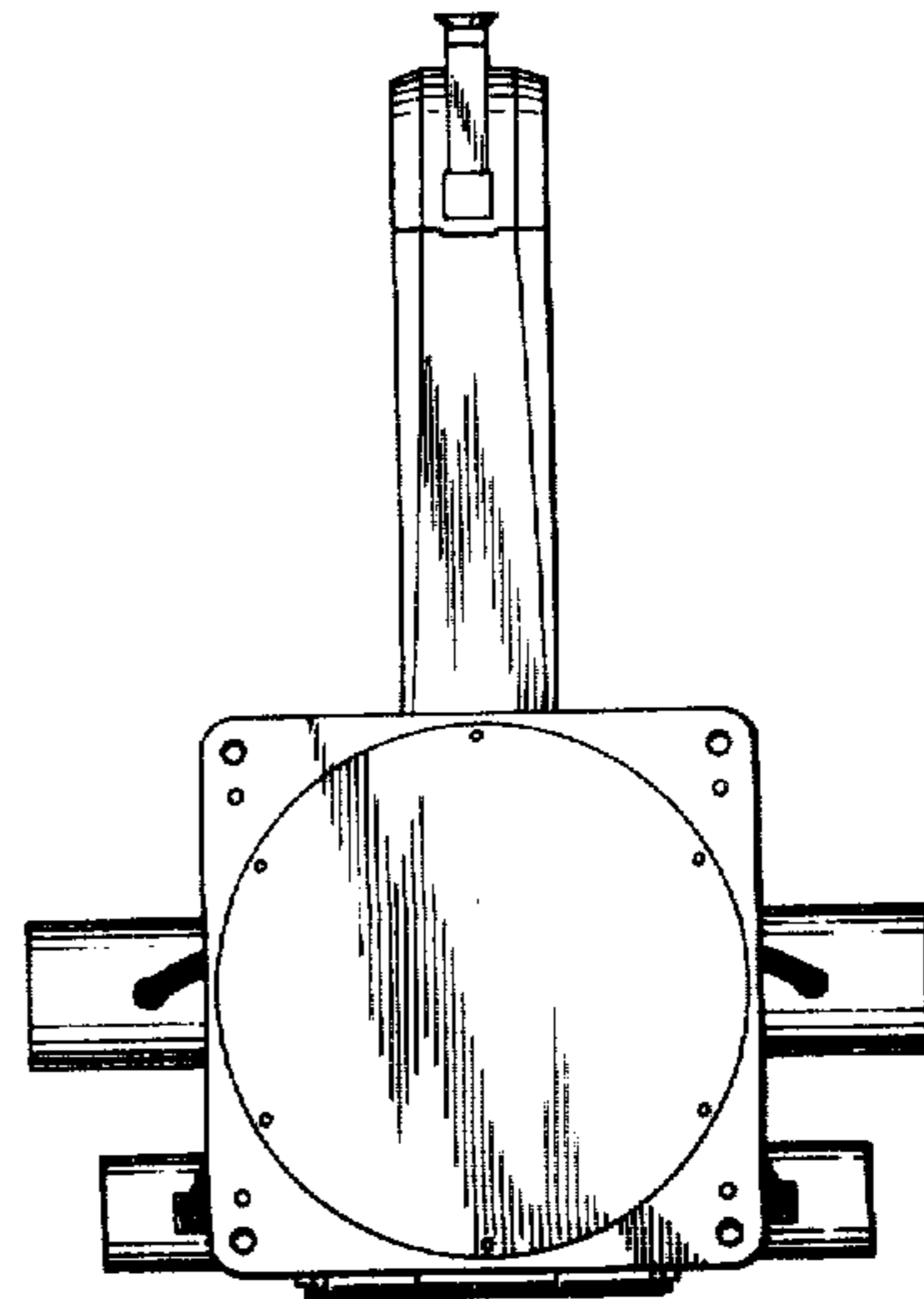


FIG. 5

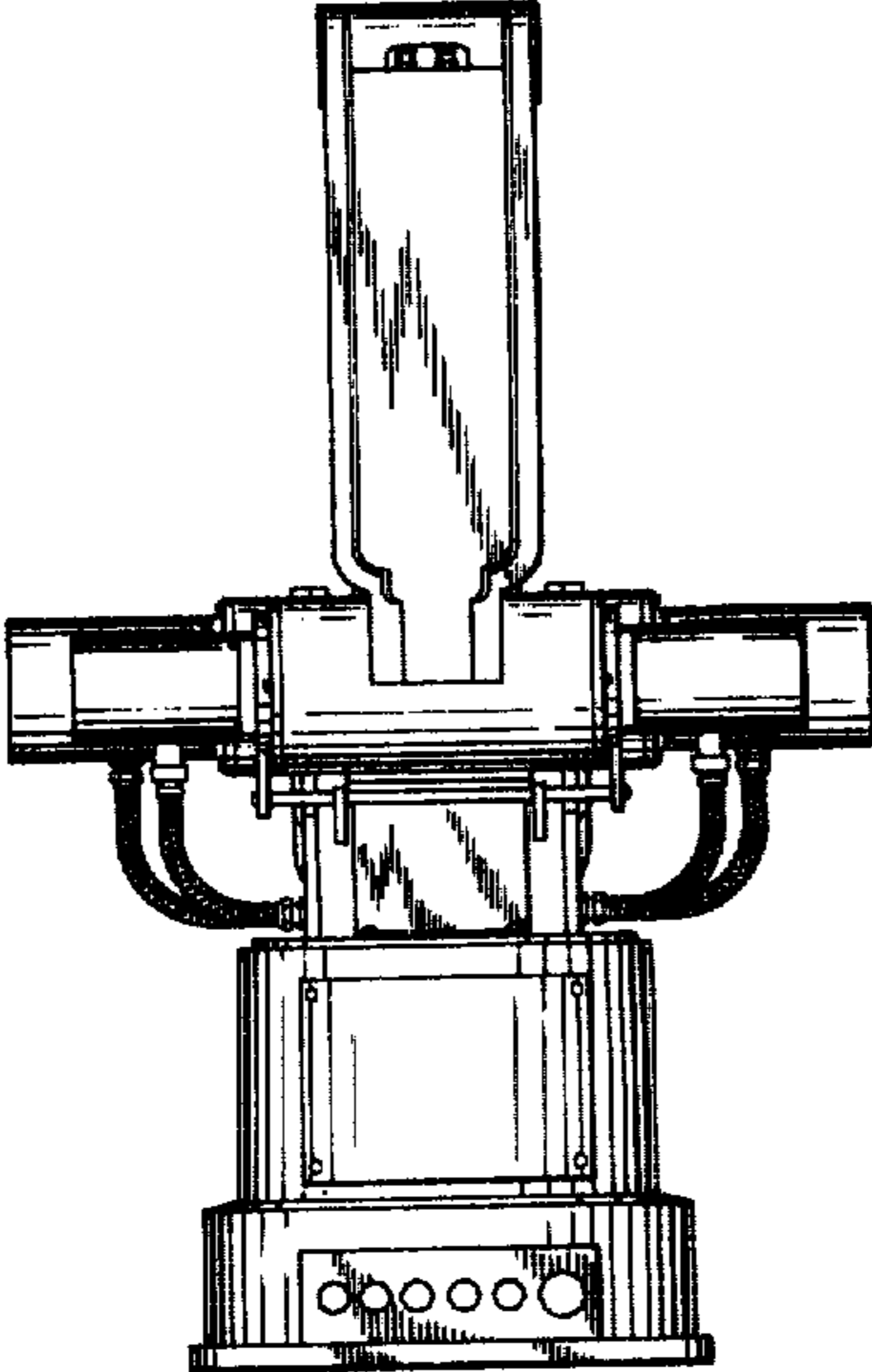


FIG. 6.

