

[54] MORTAR MIXER

[75] Inventor: Rolf Baum, Kirchzarten, Fed. Rep. of Germany

[73] Assignee: Mathis System-Technik GmbH, Merdingen, Fed. Rep. of Germany

[**] Term: 14 Years

[21] Appl. No.: 194,579

[22] Filed: Oct. 6, 1980

[30] Foreign Application Priority Data

Apr. 5, 1980 [DE] Fed. Rep. of Germany .. MR Bd. II NO3Bs

[51] Int. Cl. D15-04

[52] U.S. Cl. D15/19

[58] Field of Search D15/19; 366/233, 53, 366/54, 60, 62

[56]

References Cited

U.S. PATENT DOCUMENTS

D. 185,844	8/1959	Yager	D15/19
D. 196,638	10/1963	Parker et al.	D15/19
3,218,045	11/1965	Cox	D15/19 X
4,060,225	11/1977	Cunningham	D15/19 X

Primary Examiner—A. Hugo Word
Attorney, Agent, or Firm—Kontler, Grimes & Battersby

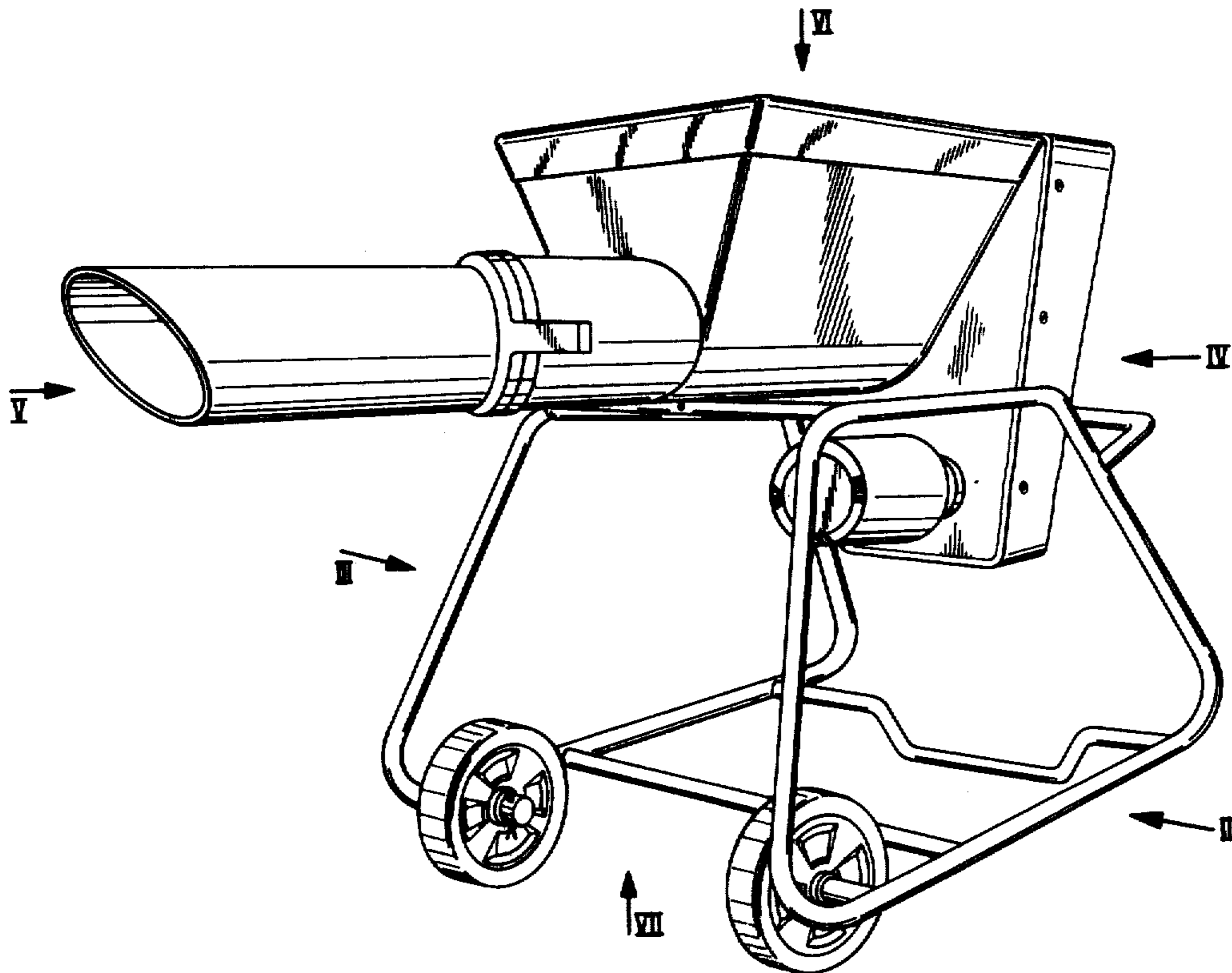
[57]

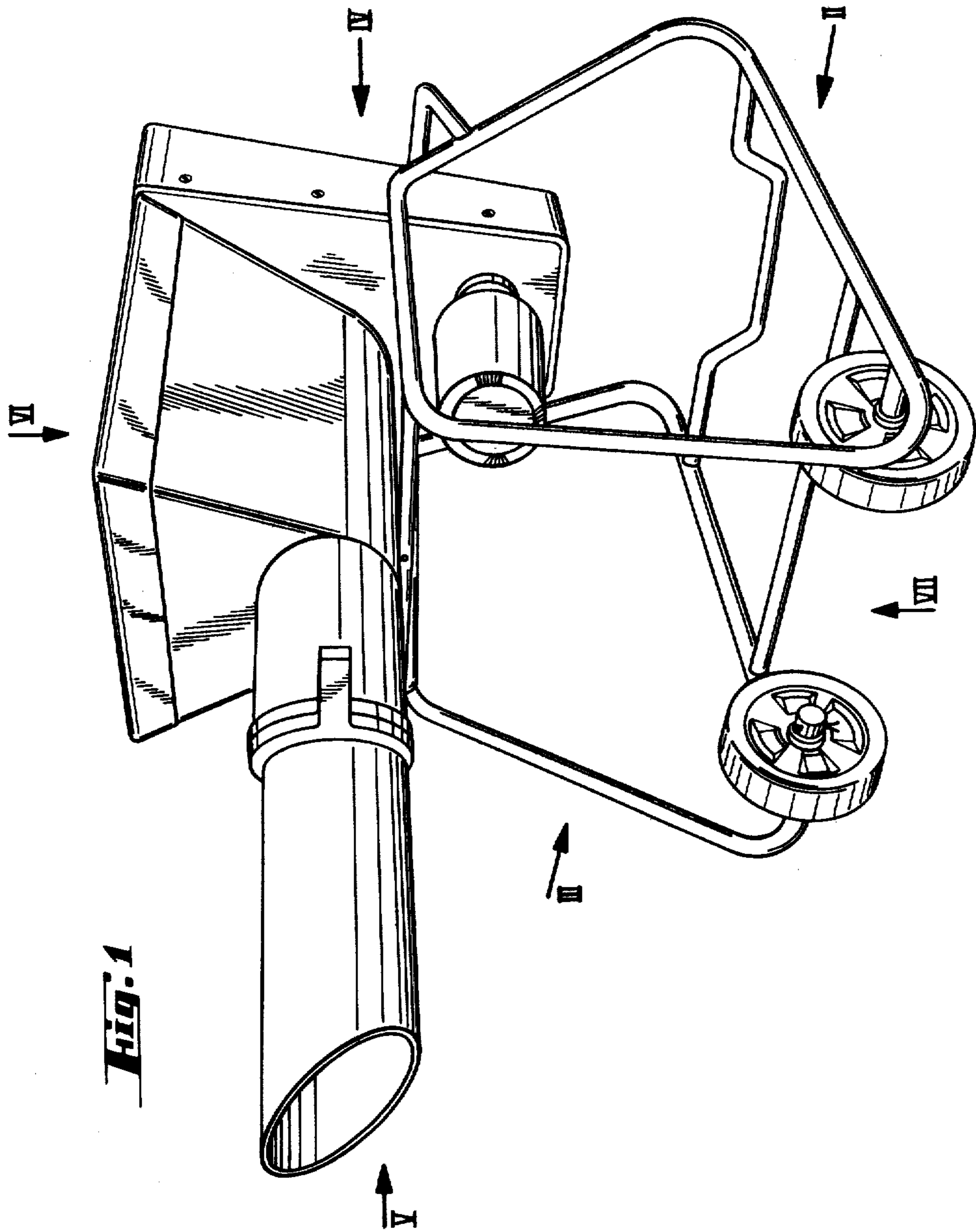
CLAIM

The ornamental design of a mortar mixer, substantially as shown.

DESCRIPTION

FIG. 1 is a perspective partly front elevational and partly side elevational view of a mortar mixer showing the new design;
 FIG. 2 is a side elevational view of the mortar mixer;
 FIG. 3 is another side elevational view of the mortar mixer;
 FIG. 4 is a rear elevational view of the mortar mixer;
 FIG. 5 is a front elevational view of the mortar mixer;
 FIG. 6 is a top plan view of the mortar mixer; and
 FIG. 7 is a bottom plan view of the mortar mixer.





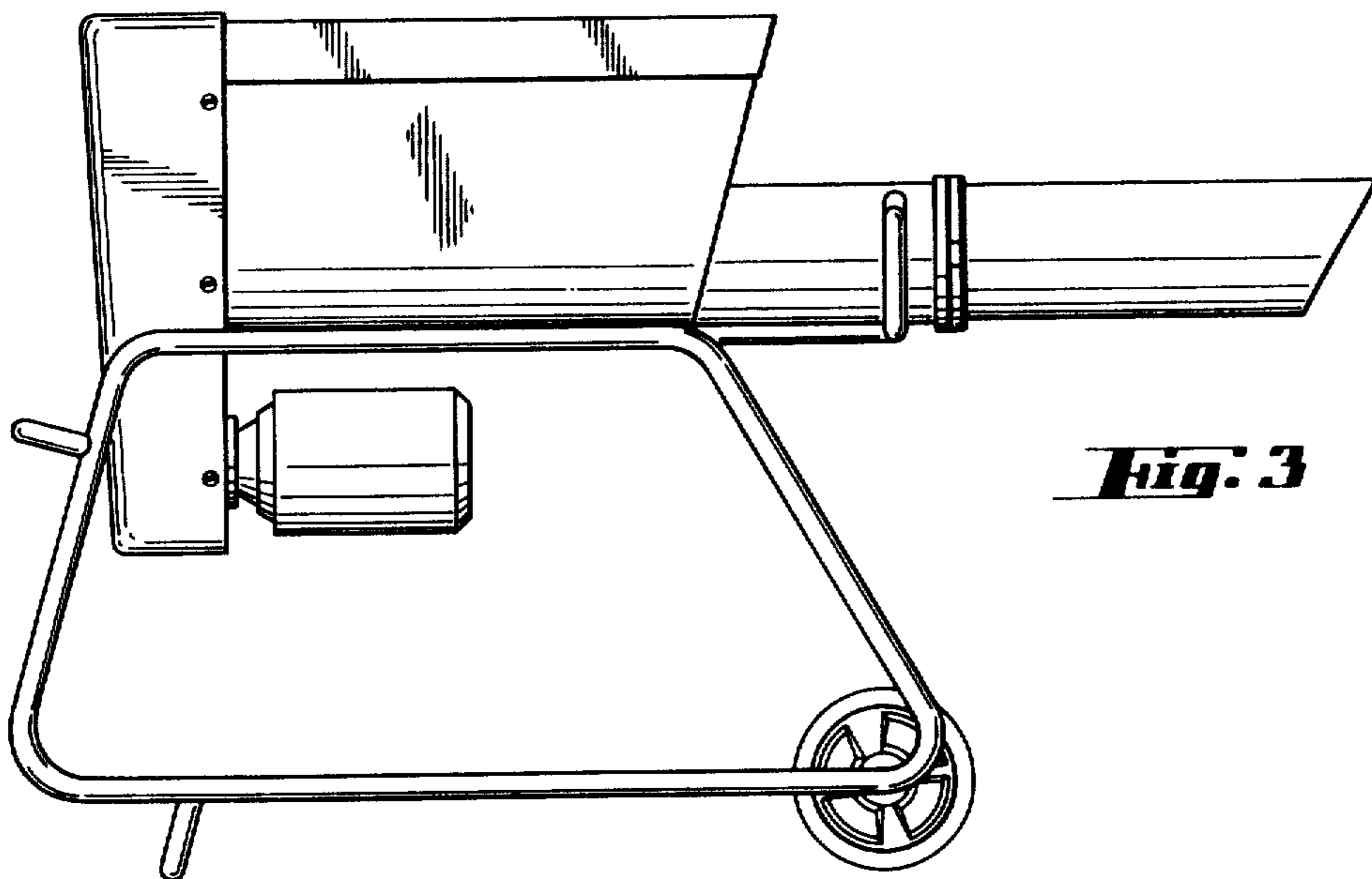
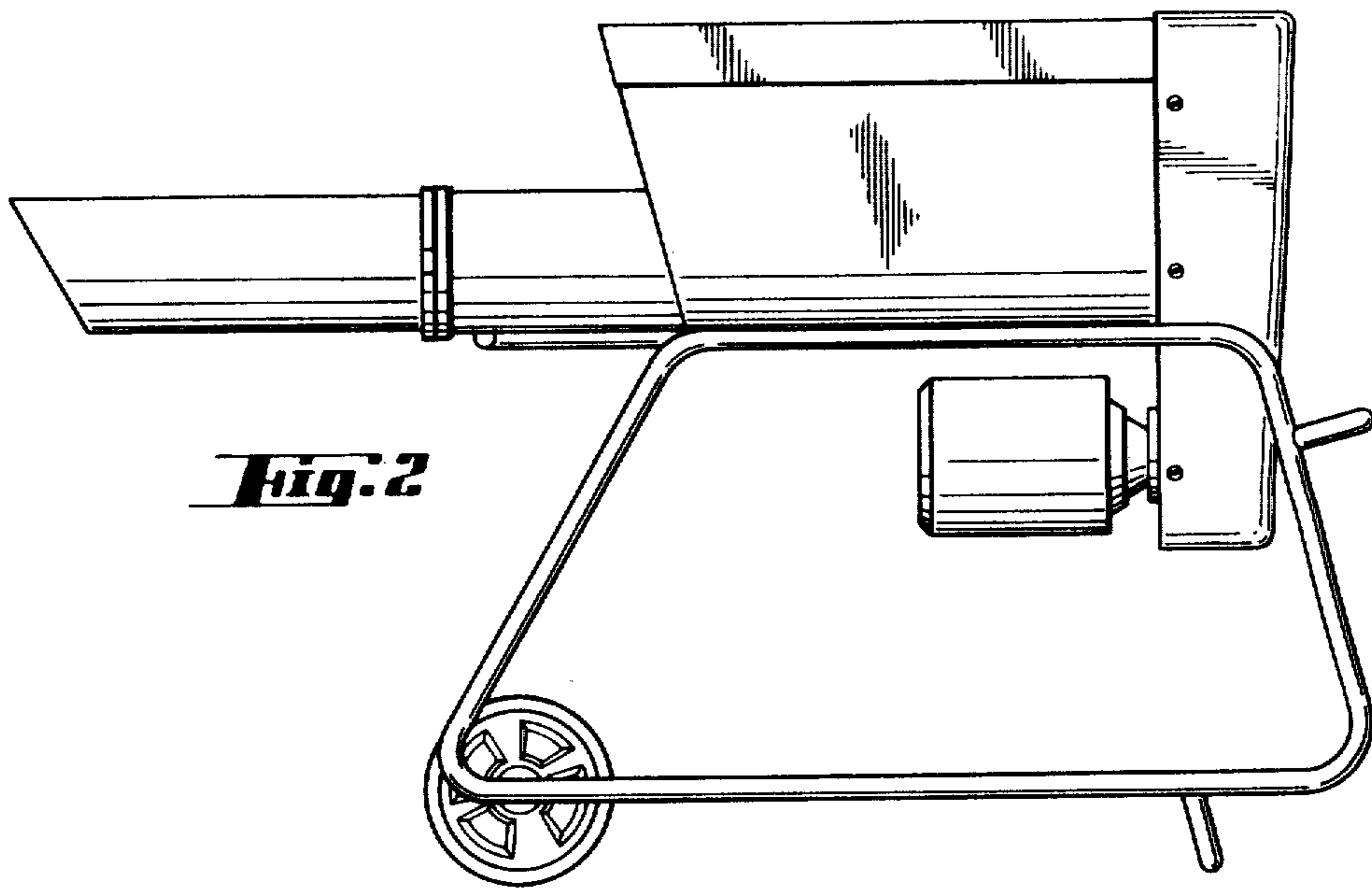


Fig. 4

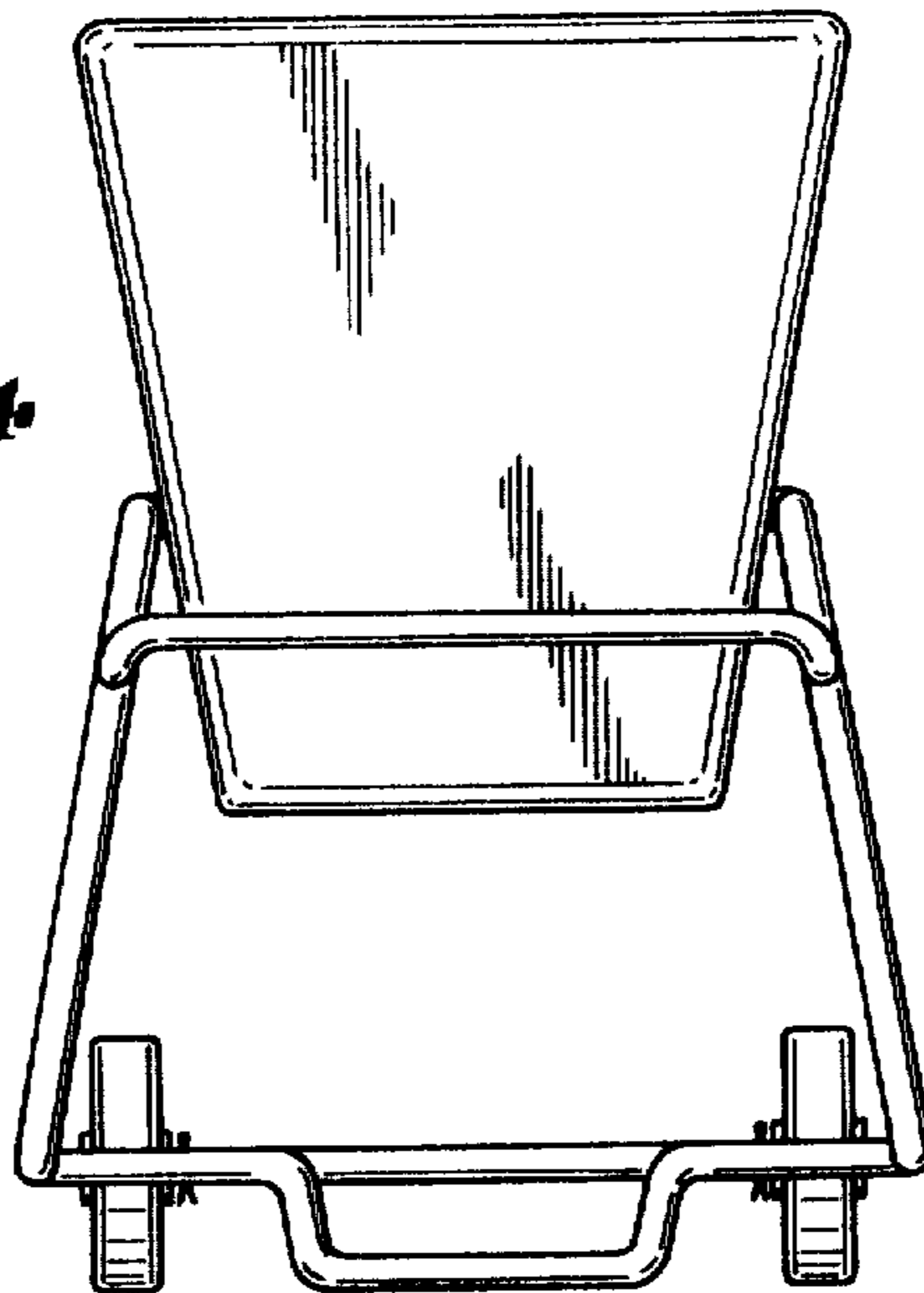


Fig. 5

