

[54] WATER PUMP HOUSING

[76] Inventor: John Drakulic, Box 482, 1st St.,  
Trafford, Pa. 15085

[\*\*] Term: 14 Years

[21] Appl. No.: 201,512

[22] Filed: Oct. 28, 1980

[51] Int. Cl. .... D15-02

[52] U.S. Cl. .... D15/5

[58] Field of Search ..... 123/41.44, 44, 46, 47,  
123/41.47; D15/5, 7-9; D12/155, 163

[56] References Cited

U.S. PATENT DOCUMENTS

D. 246,901 1/1978 Duty ..... D15/5  
3,730,147 5/1973 Buchwald ..... 123/41.44

Primary Examiner—Charles A. Rademaker

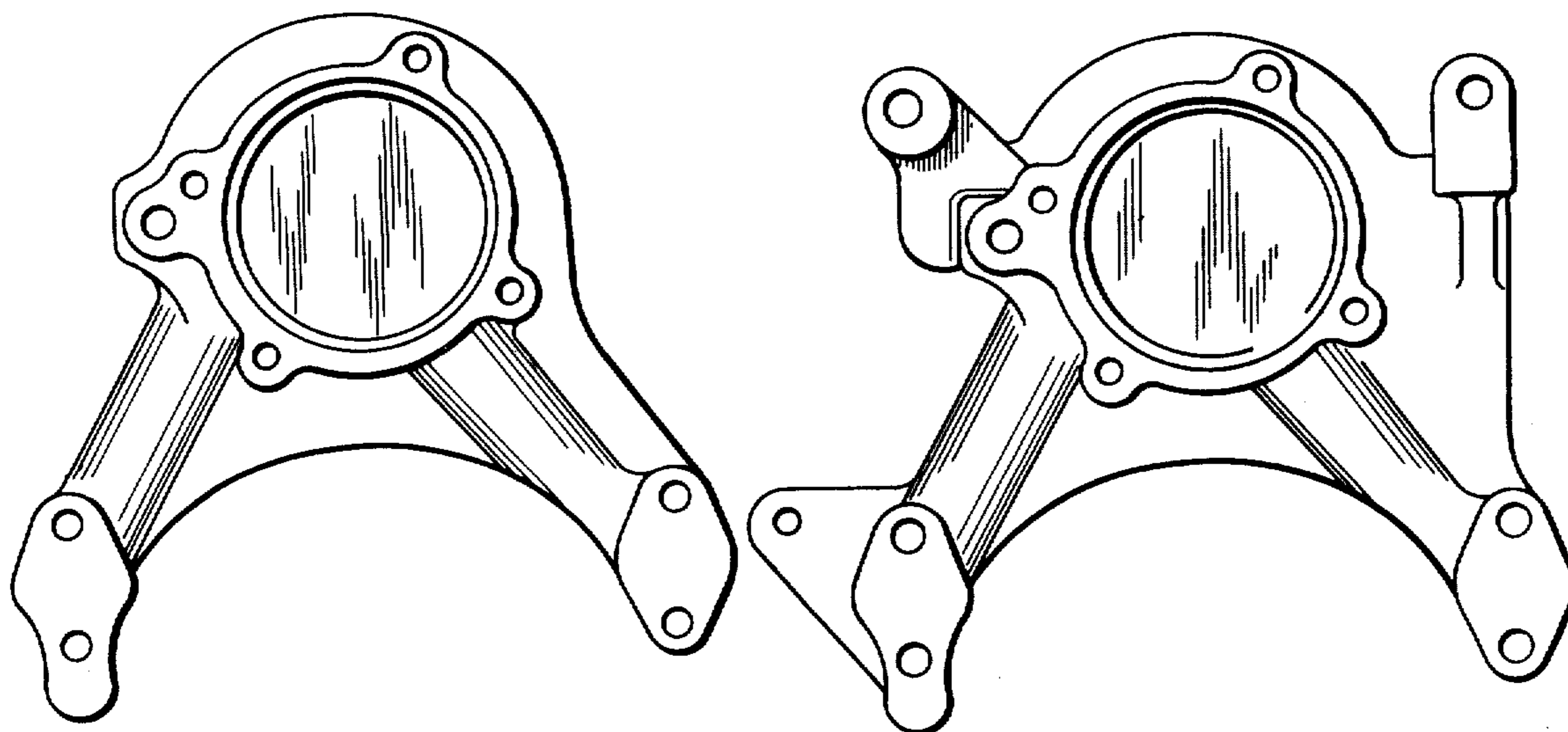
Attorney, Agent, or Firm—Thomas H. Murray; Clifford  
A. Poff

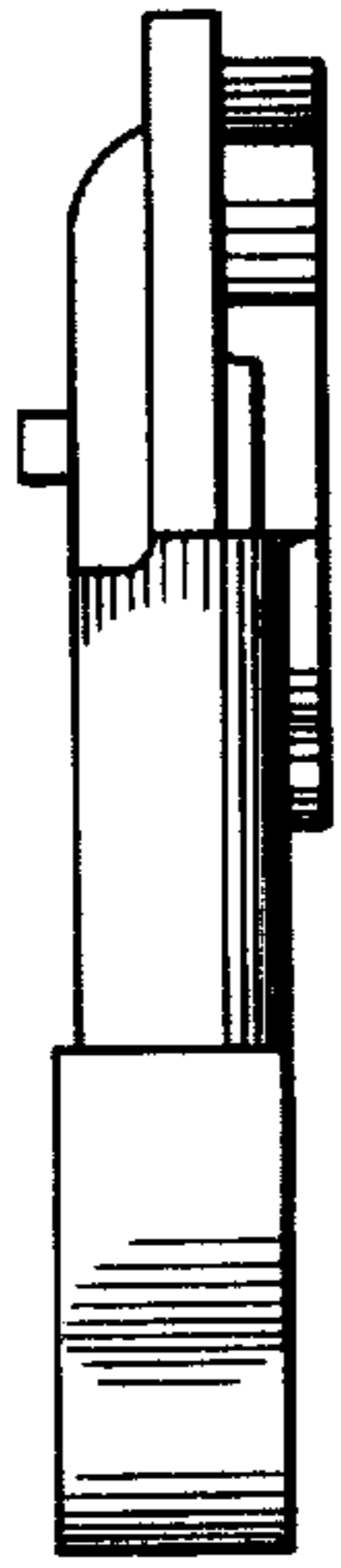
[57] CLAIM

The ornamental design for a water pump housing, as  
shown and described.

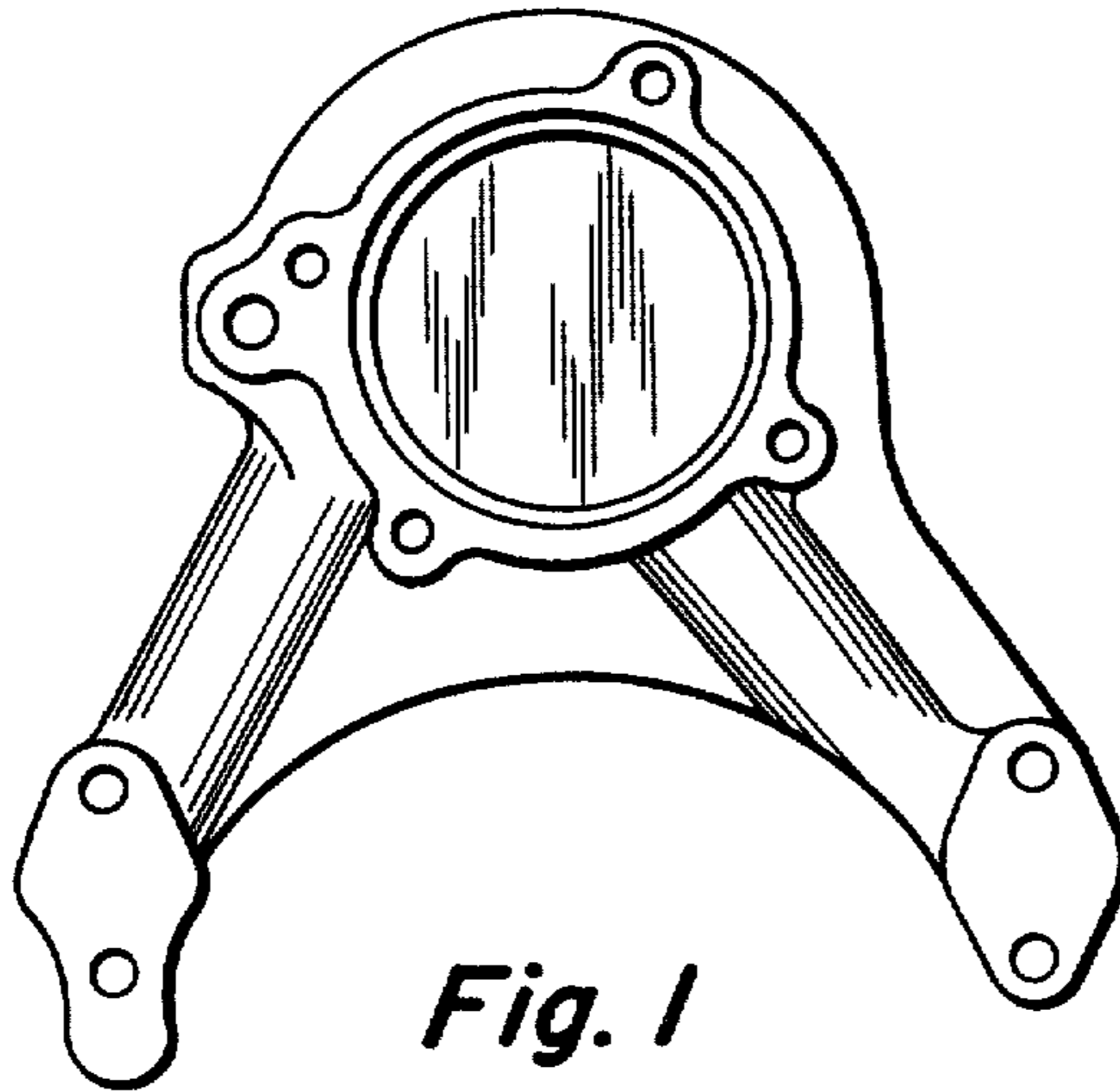
DESCRIPTION

FIG. 1 is a front elevational view of a water pump  
housing showing my new design;  
FIG. 2 is a left side elevational view thereof;  
FIG. 3 is a right side elevational view thereof;  
FIG. 4 is a rear elevational view thereof;  
FIG. 5 is a top plane view thereof;  
FIG. 6 is a bottom plane view thereof;  
FIG. 7 is a front elevational view of a modified form of  
the design shown in FIGS. 1 through 6;  
FIG. 8 is a left side elevational view thereof;  
FIG. 9 is a right side elevational view thereof;  
FIG. 10 is a rear elevational view thereof;  
FIG. 11 is a top plane view thereof; and  
FIG. 12 is a bottom plane view thereof.

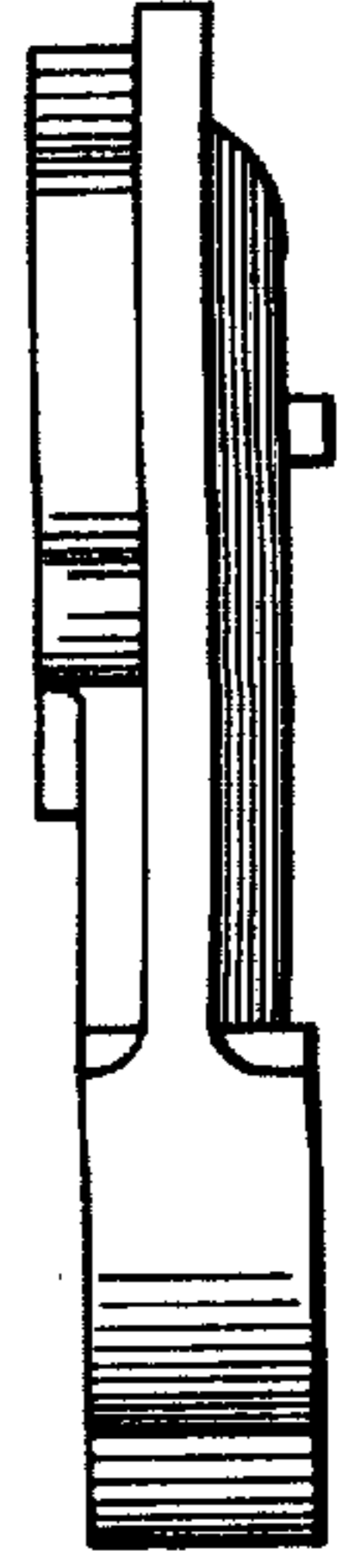




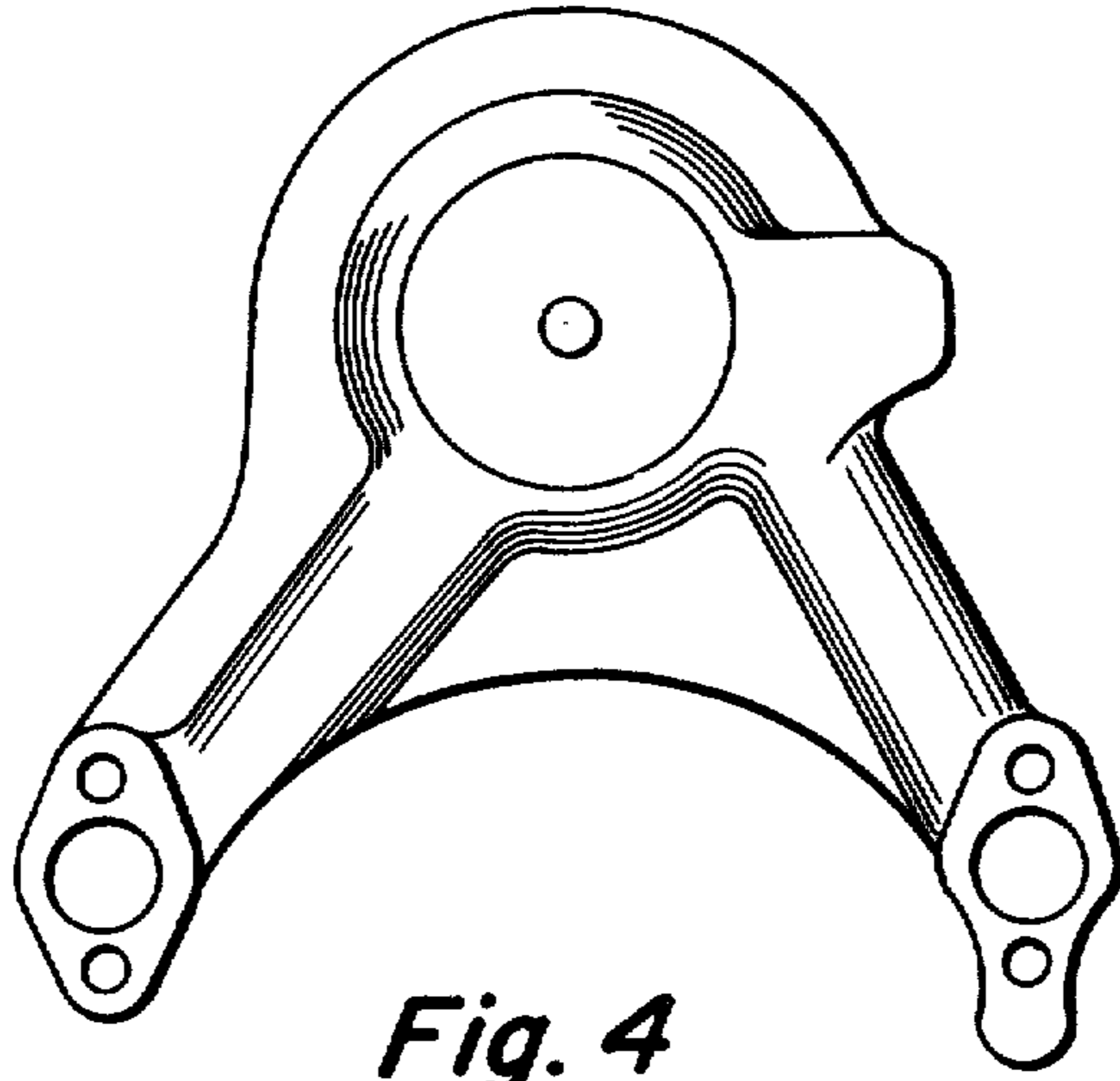
*Fig. 2*



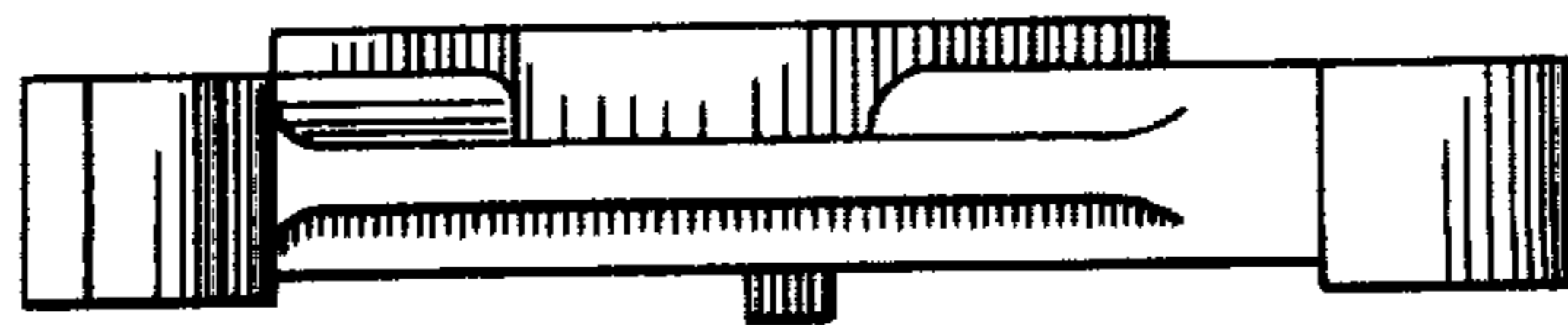
*Fig. 1*



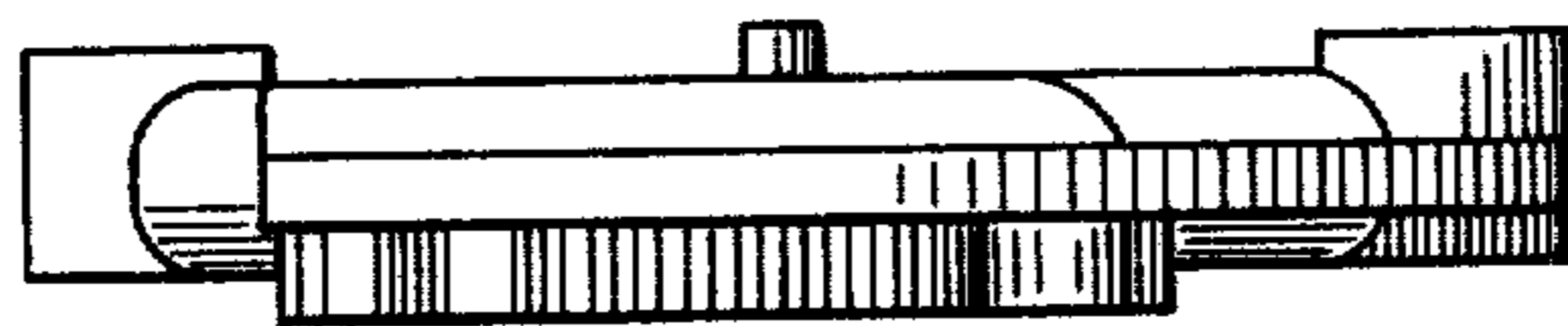
*Fig. 3*



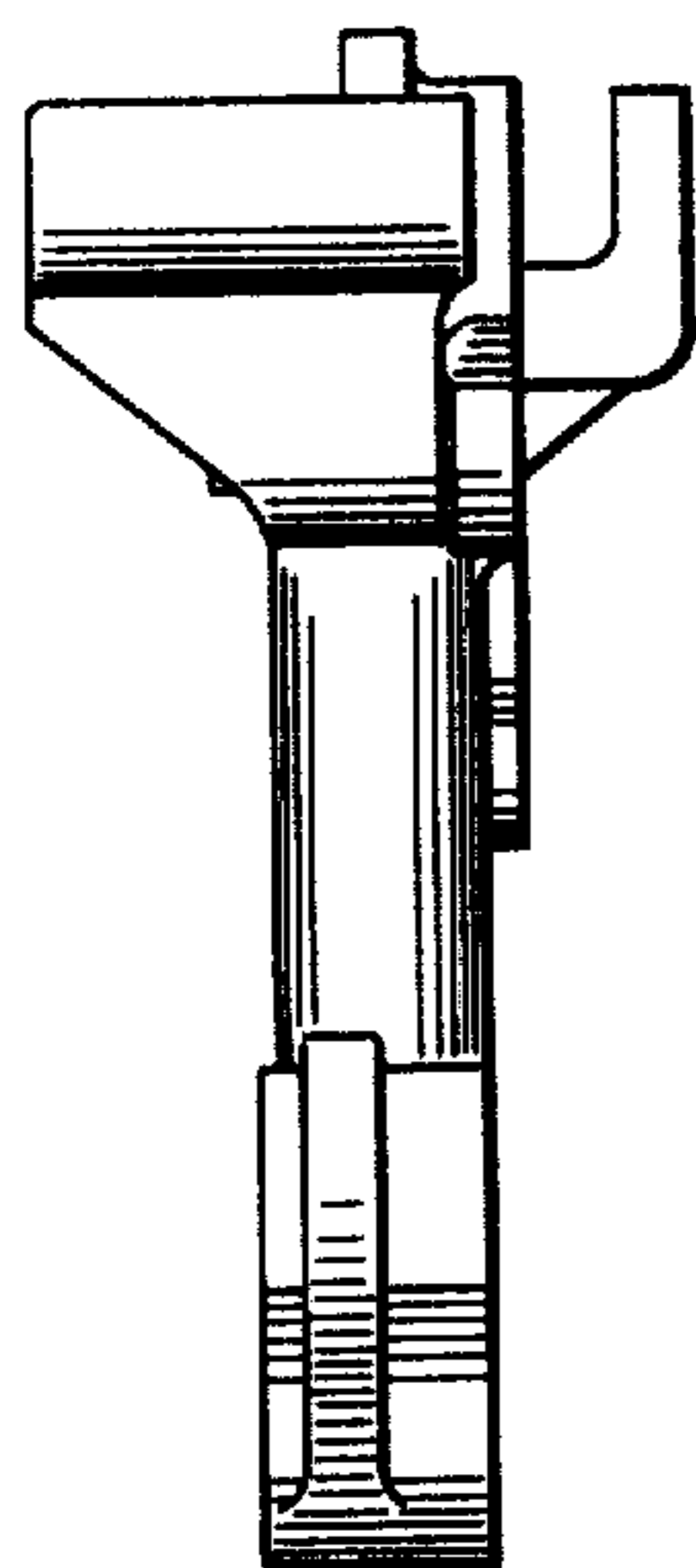
*Fig. 4*



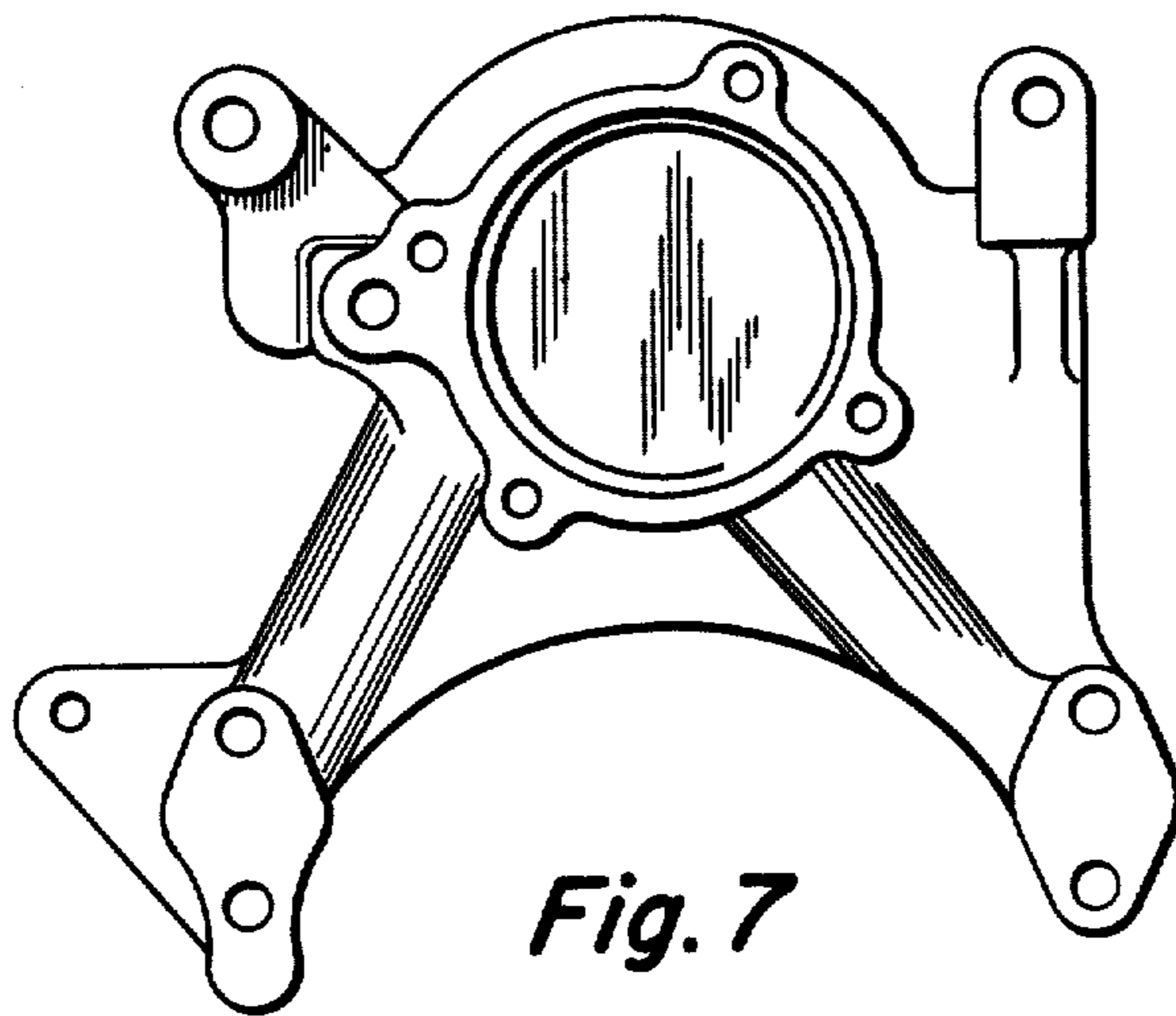
*Fig. 5*



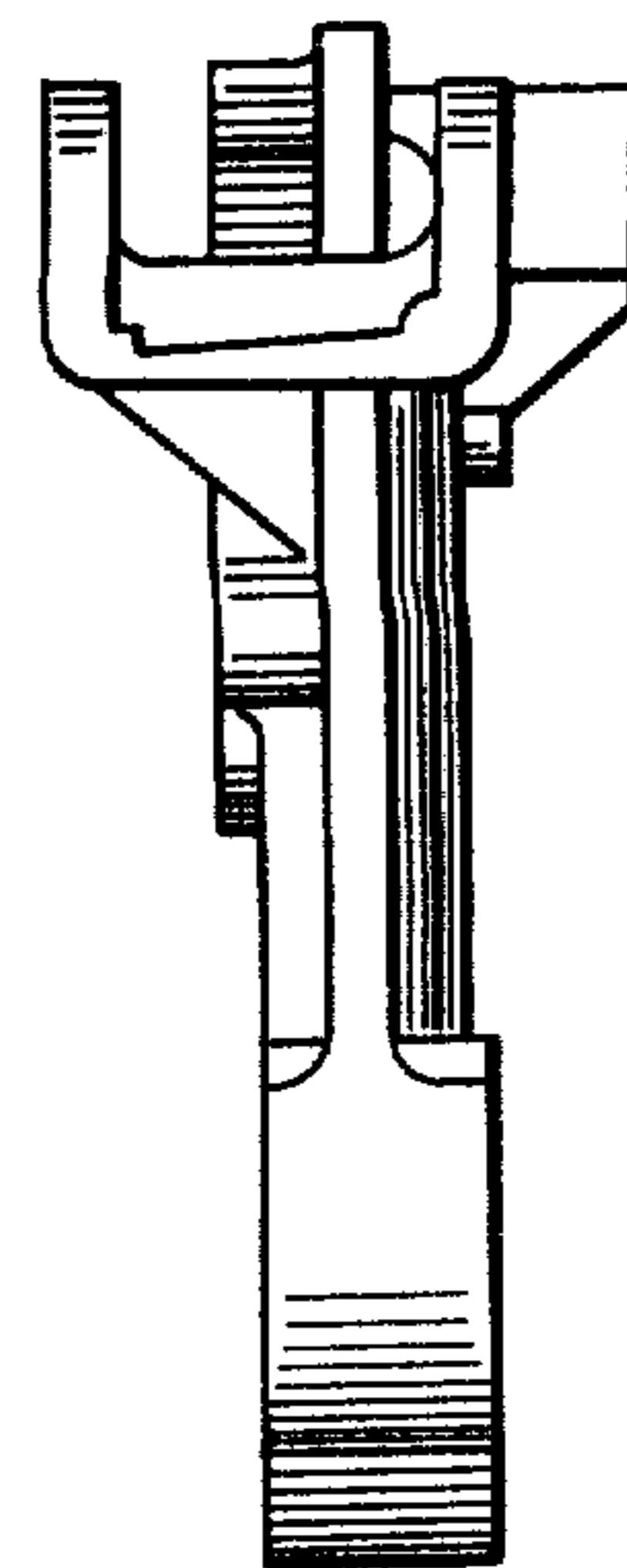
*Fig. 6*



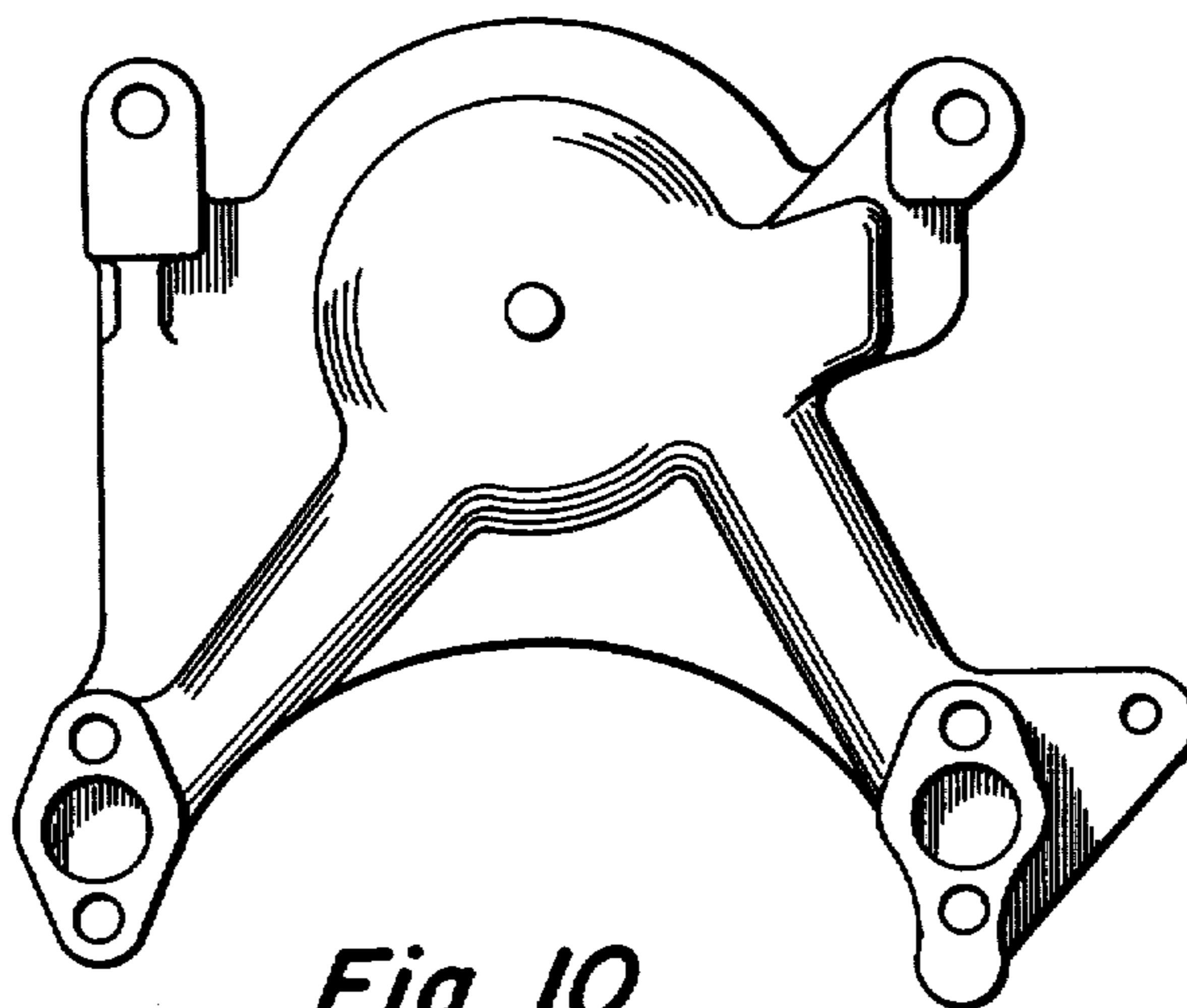
*Fig. 8*



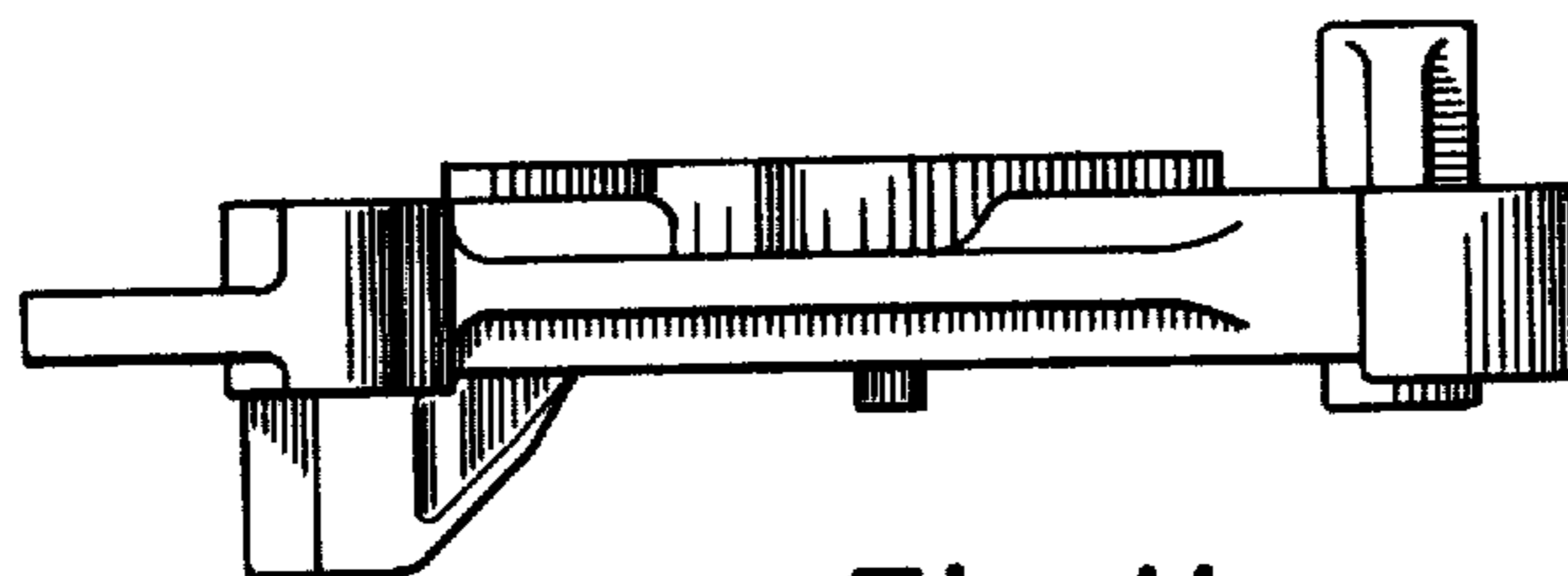
*Fig. 7*



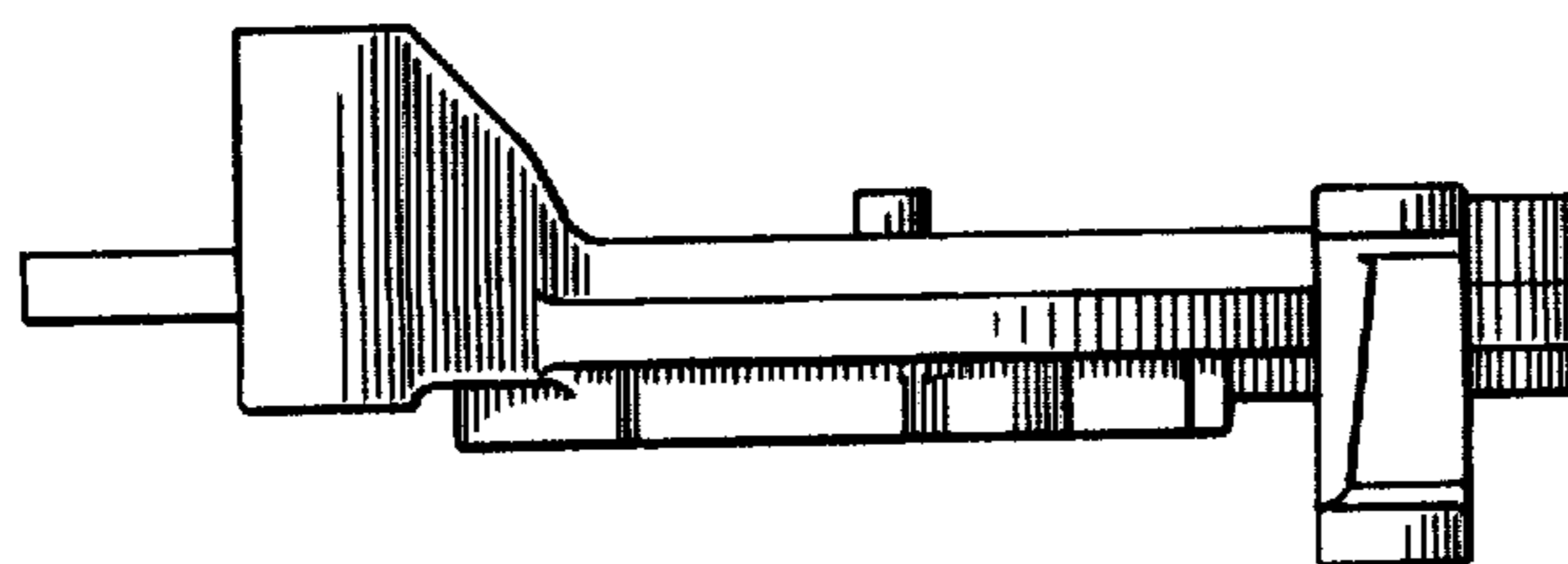
*Fig. 9*



*Fig. 10*



*Fig. 11*



*Fig. 12*