

[54] **FACSIMILE RECORDER AND TRANSCEIVER**

[75] Inventors: **Nobuki Matsumoto; Manzo Yoshihama**, both of Yokohama; **Fumiyo Kojima**, Hiratsuka, all of Japan

[73] Assignee: **Ricoh Company, Ltd.**, Tokyo, Japan

[**] Term: **14 Years**

[21] Appl. No.: **223,754**

[22] Filed: **Jan. 9, 1981**

[30] **Foreign Application Priority Data**

Jul. 14, 1980 [JP] Japan 55-028174

[51] Int. Cl. **D14-01**

[52] U.S. Cl. **D14/94**

[58] Field of Search **D14/94; D16/30, 31; 358/256, 286**

[56] **References Cited**

U.S. PATENT DOCUMENTS

D. 263,311 3/1982 Goto D16/30

D. 263,708 4/1982 Matsumoto et al. D14/94

OTHER PUBLICATIONS

Office Products, 8-79, p. 42, Minolta "EP 130".

Primary Examiner—Jane E. Corrigan
Attorney, Agent, or Firm—Guy W. Shoup; Robert Scobey

[57] **CLAIM**

The ornamental design for a facsimile recorder and transceiver, as shown and described.

DESCRIPTION

FIG. 1 is a front, top and left side perspective view of a facsimile recorder and transceiver showing our new design;

FIG. 2 is a front elevational view thereof;

FIG. 3 is a top plan view thereof;

FIG. 4 is a left side elevational view thereof;

FIG. 5 is a right side elevational view thereof;

FIG. 6 is a rear elevational view thereof;

FIG. 7 is a bottom plan view thereof; and

FIG. 8 is a view like FIG. 1 with two document trays attached.

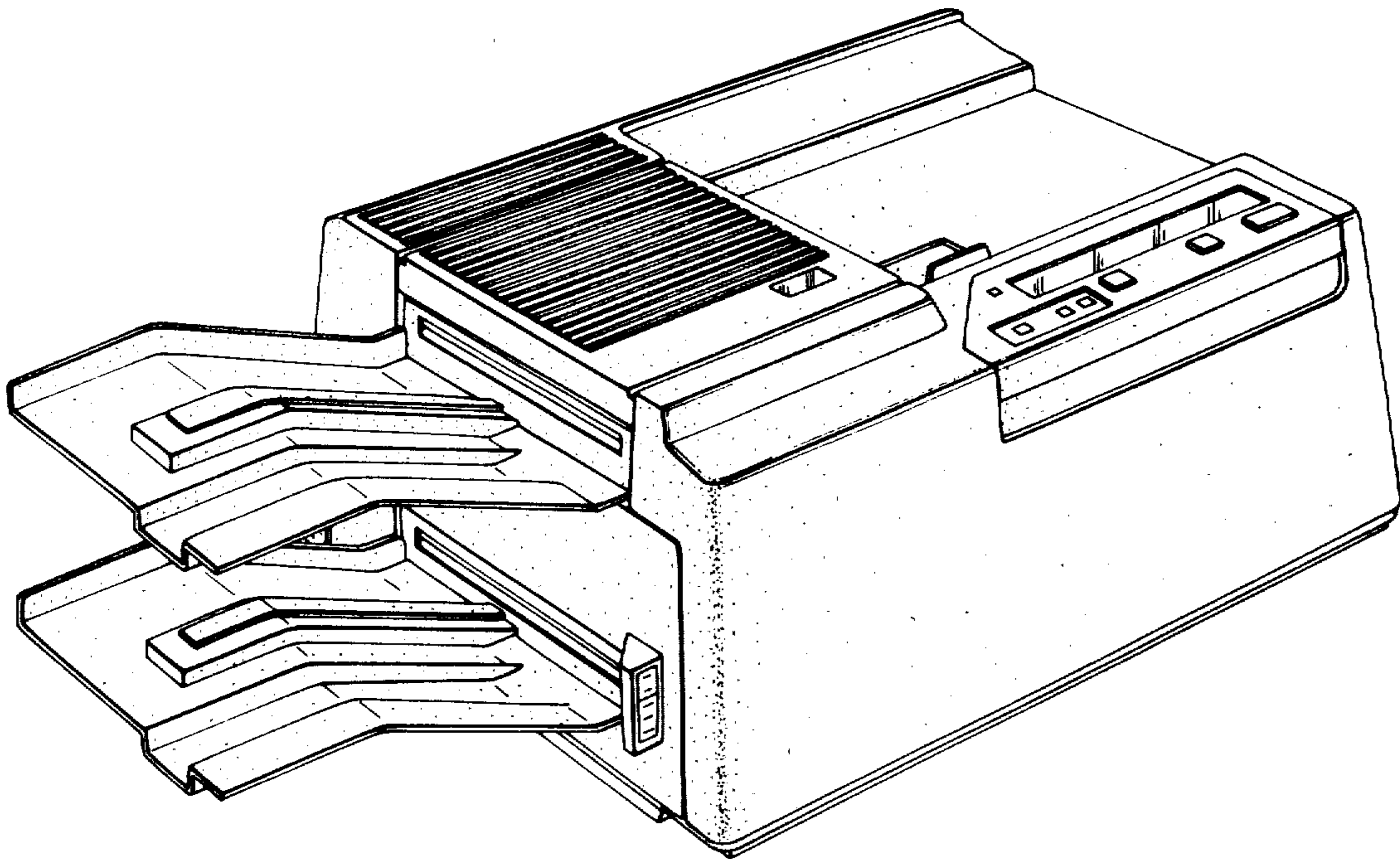


FIG. 1

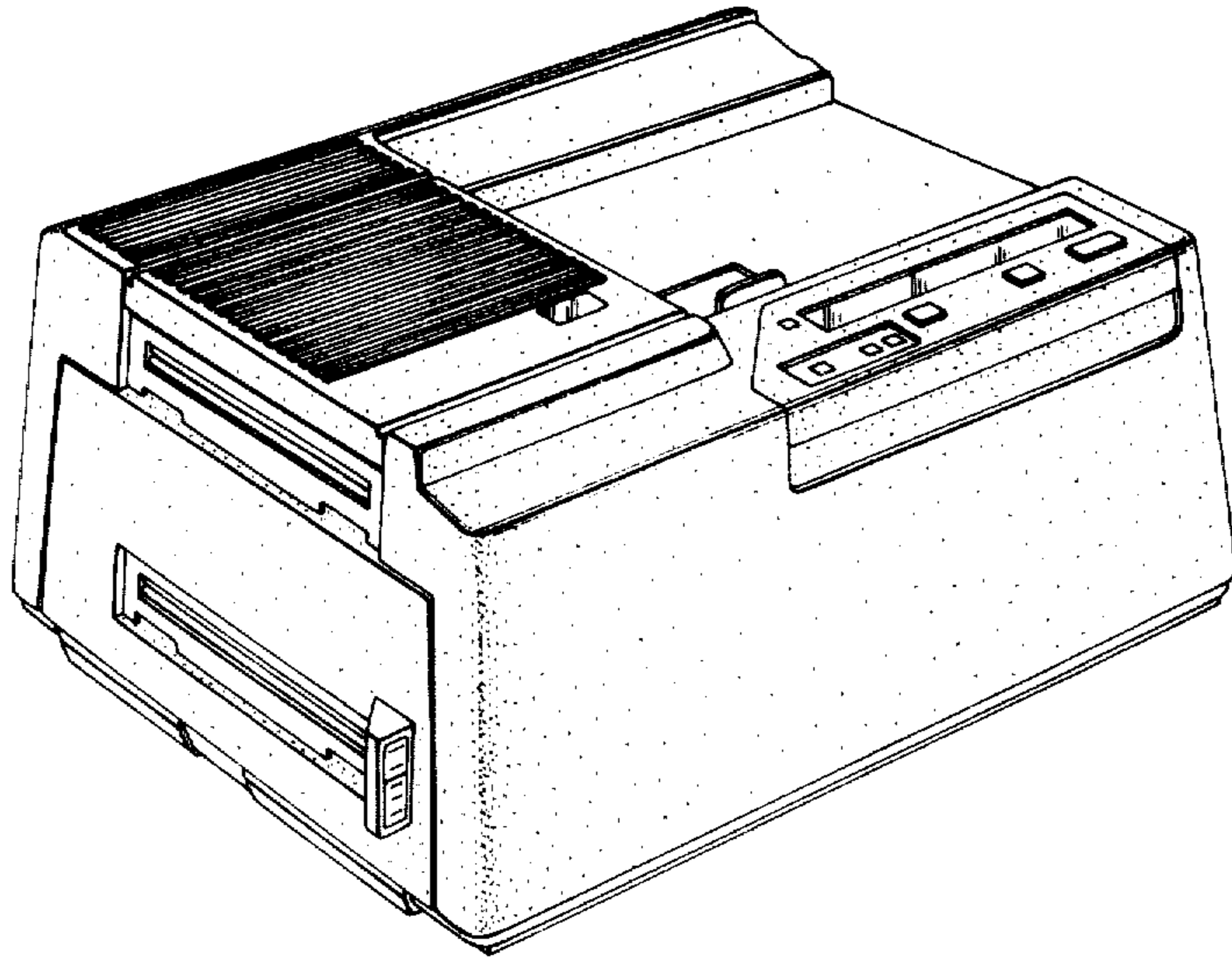


FIG. 2

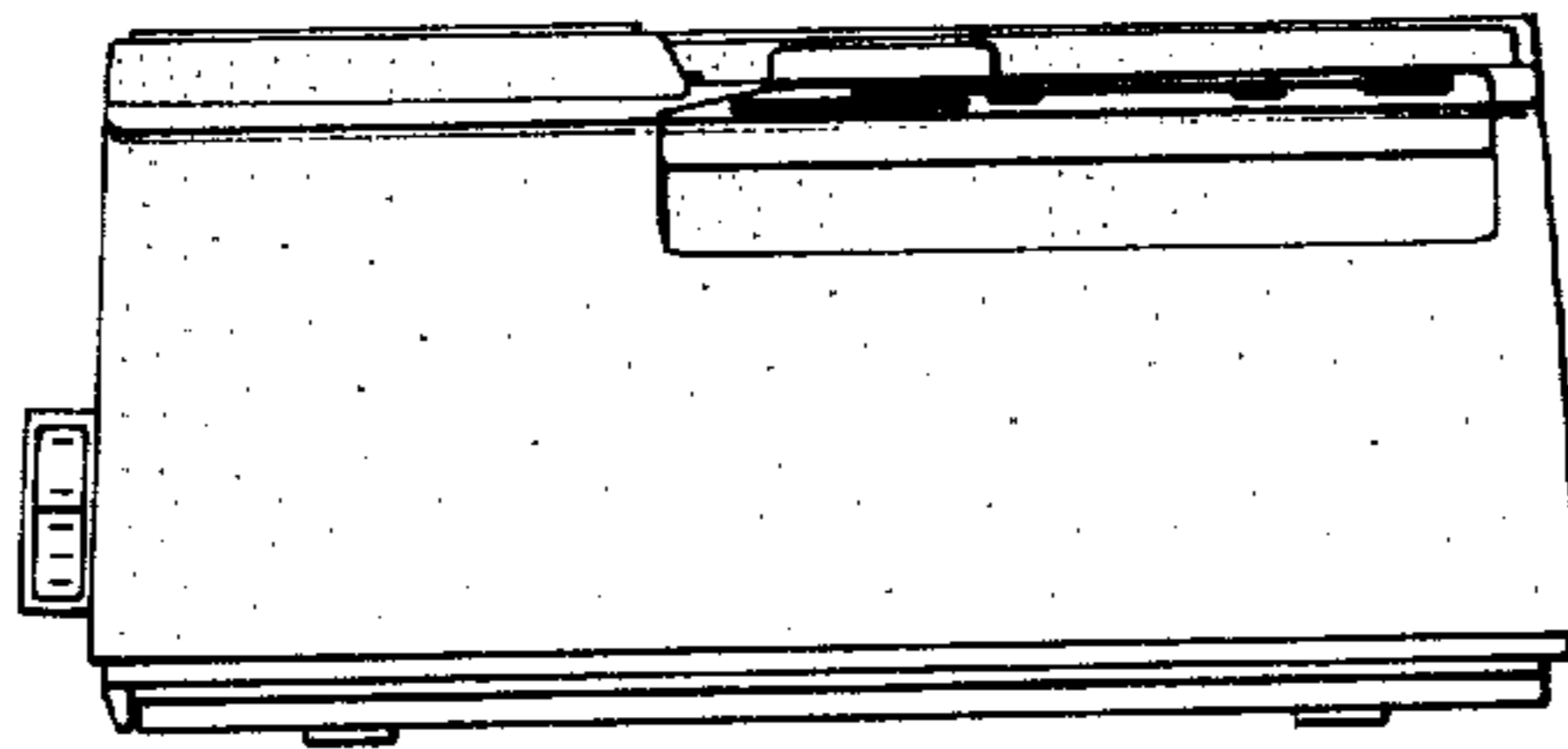


FIG. 3

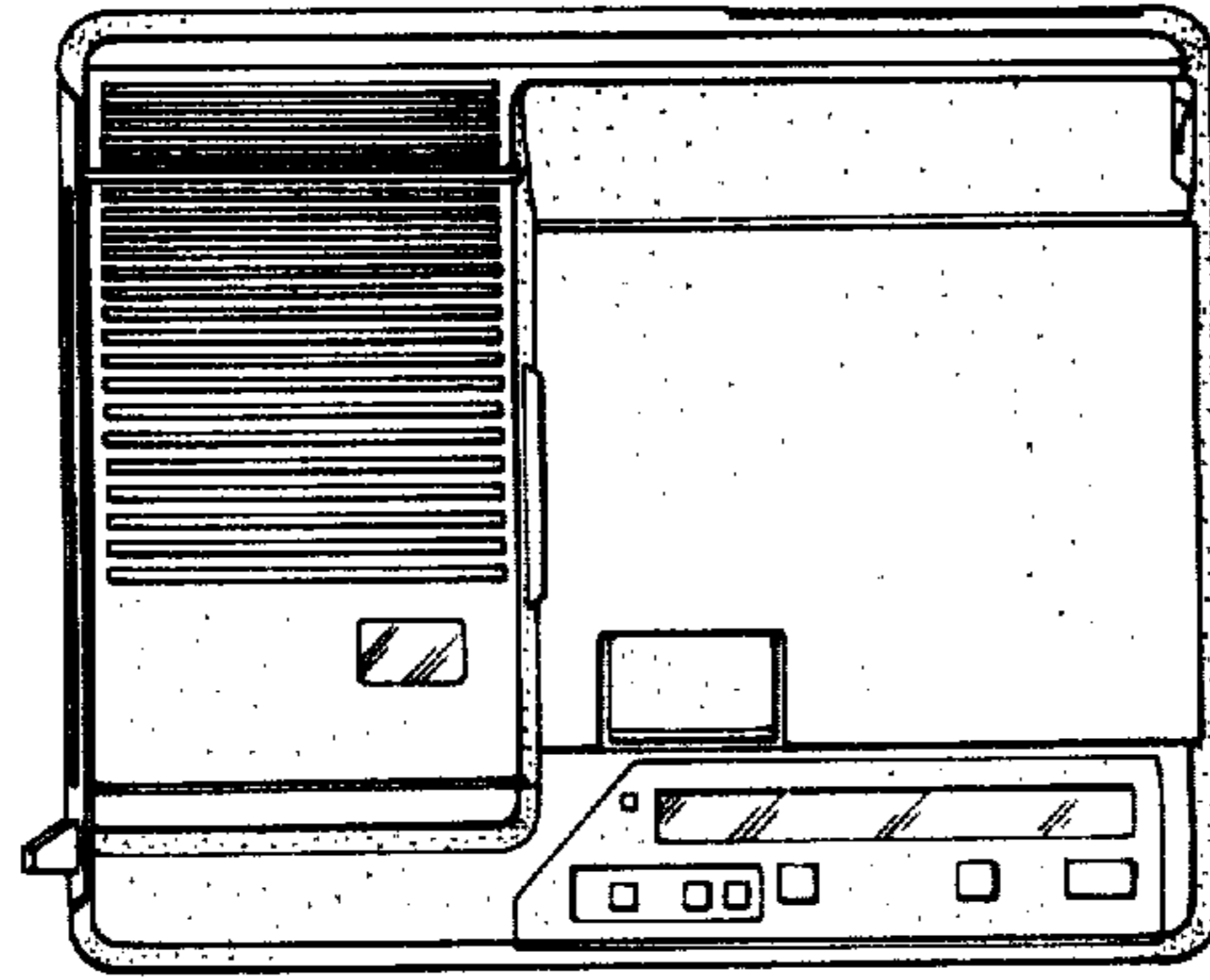


FIG. 4

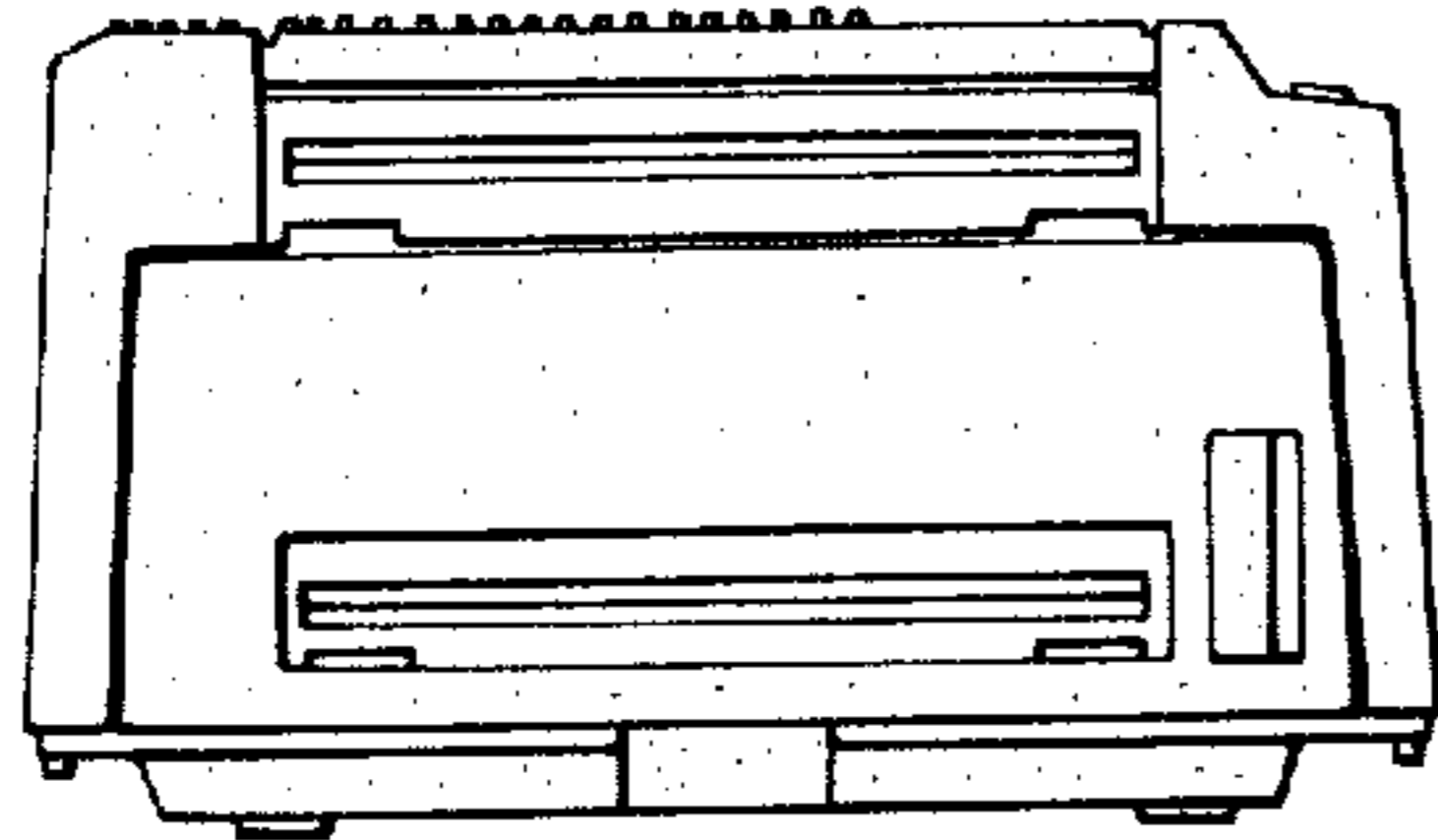


FIG. 5

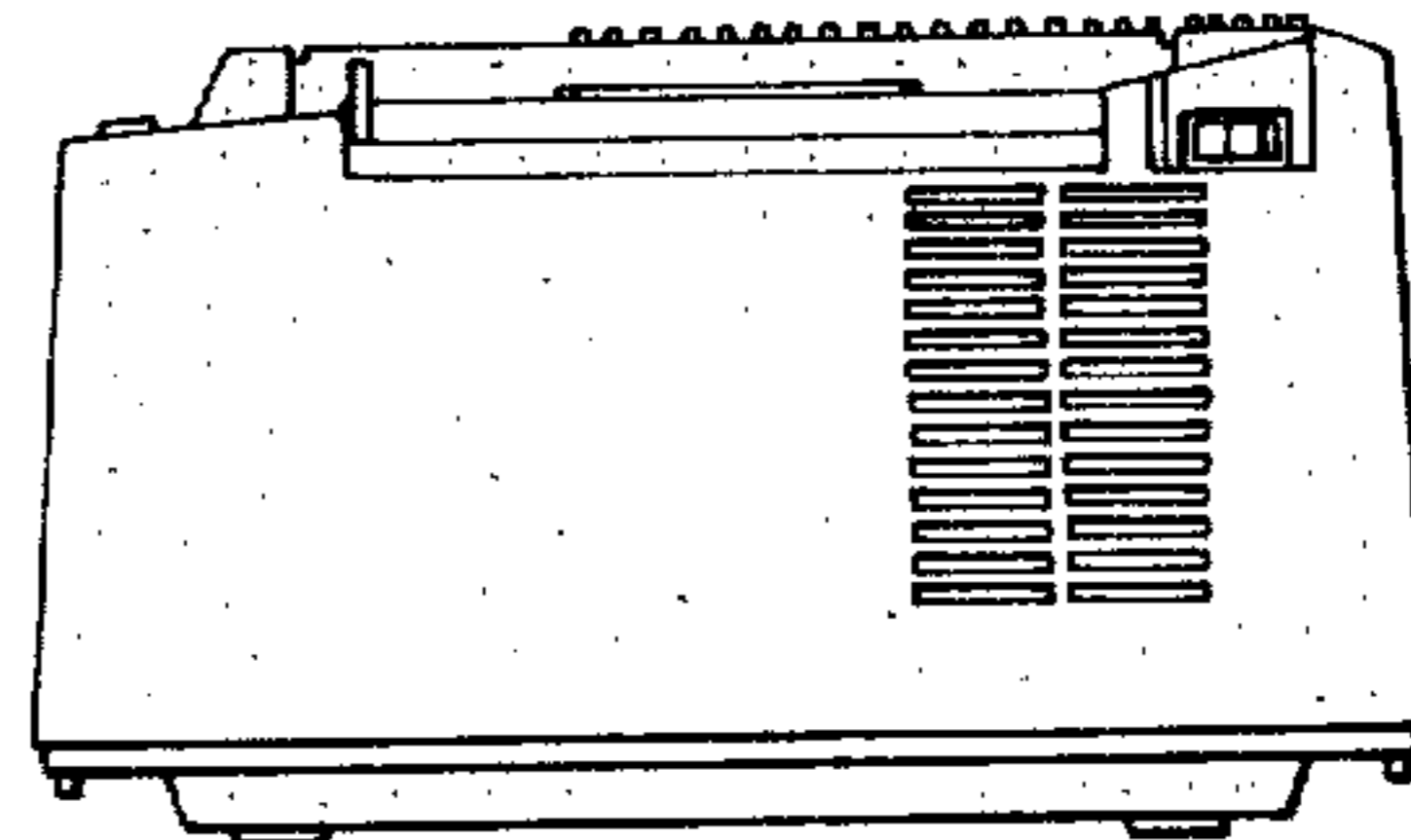


FIG. 6

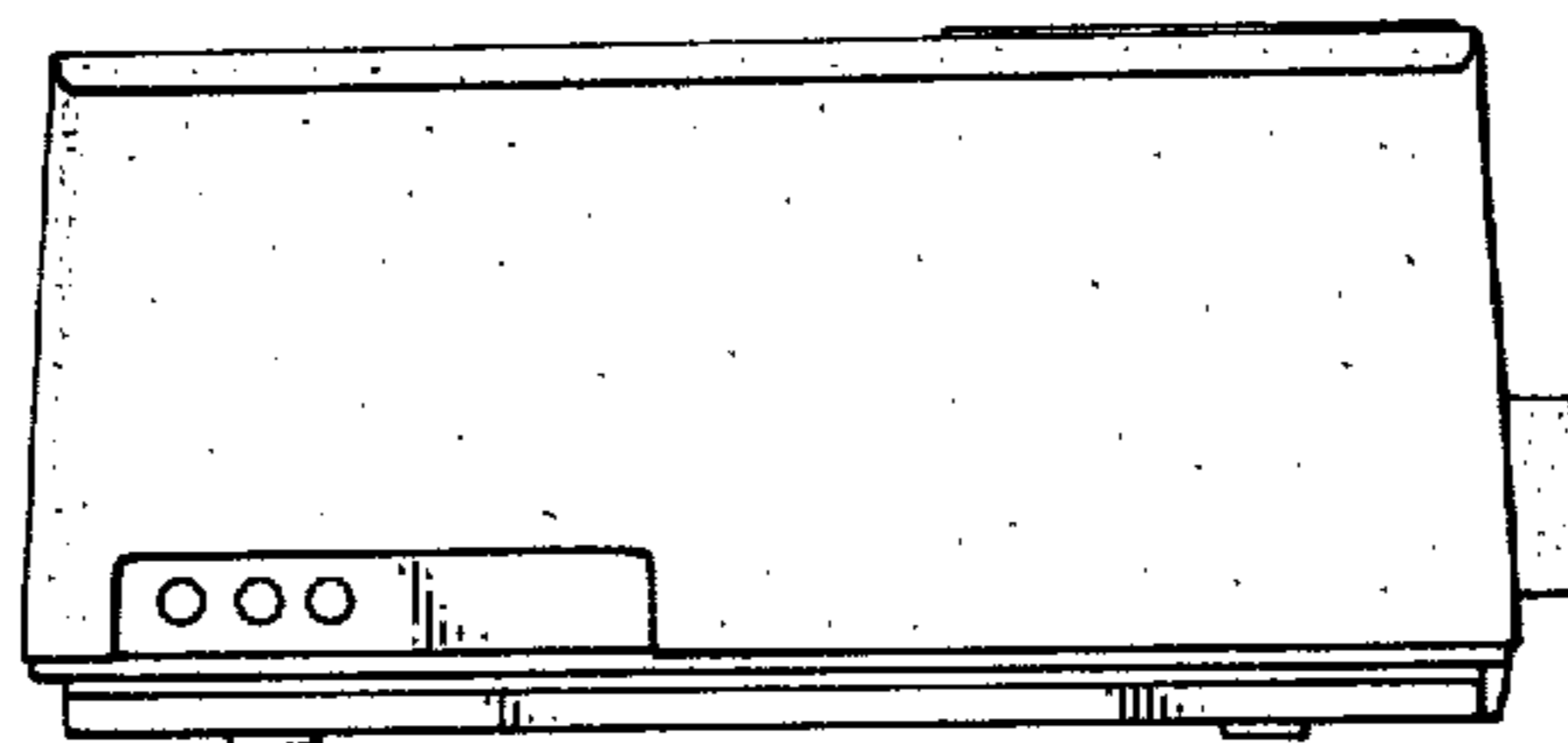


FIG. 7

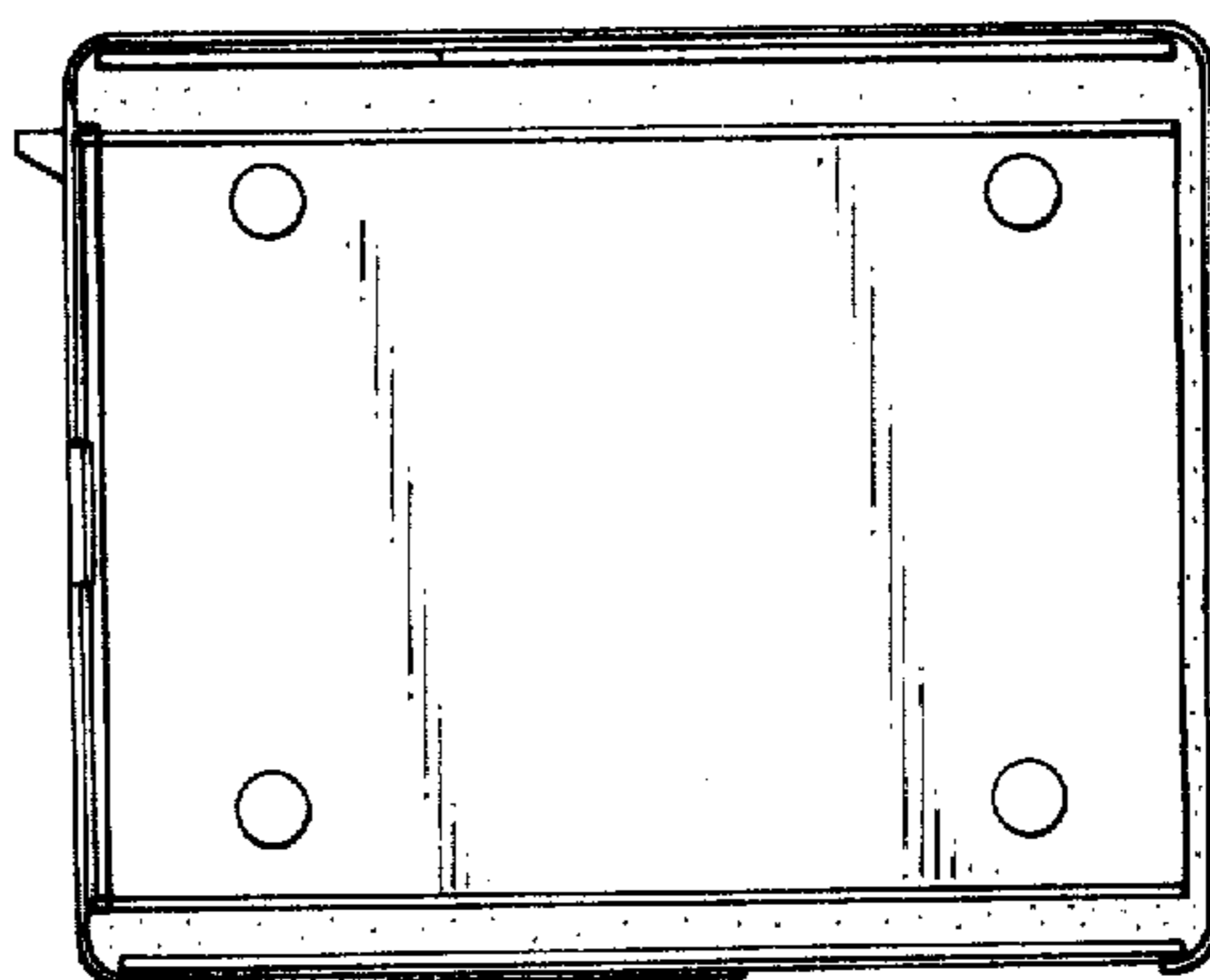


FIG. 8

