

[54] PADDLING CATAMARAN

[76] Inventor: Carl Gillberg, 1710 Decker Canyon Rd., Malibu, Calif. 90265

[\*\*] Term: 14 Years

[21] Appl. No.: 72,687

[22] Filed: Sep. 5, 1979

[51] Int. Cl. .... D12-06

[52] U.S. Cl. .... D12/304

[58] Field of Search ..... D12/300, 303, 304, 310-312, D12/314; 114/39, 56, 61

[56] References Cited

U.S. PATENT DOCUMENTS

D. 214,766 7/1969 Alter ..... D12/304  
3,691,976 9/1972 Wilson ..... 114/39

3,796,175 3/1974 Ford ..... 9/6 P  
3,812,805 5/1974 Forssell et al. .... 9/2 A  
3,877,406 4/1975 Davis ..... 114/39

Primary Examiner—T. Tung  
Attorney, Agent, or Firm—Koda and Androlia

[57] CLAIM

The ornamental design for a paddling catamaran, substantially as shown and described.

DESCRIPTION

FIG. 1 is a perspective view of a paddling catamaran showing my new design;  
FIG. 2 is a front elevational view thereof;  
FIG. 3 is a right side elevational view thereof;  
FIG. 4 is a top plan view thereof; and  
FIG. 5 is a bottom plan view thereof.  
The side of the paddling catamaran not shown is a mirror image of the side shown in FIG. 3.

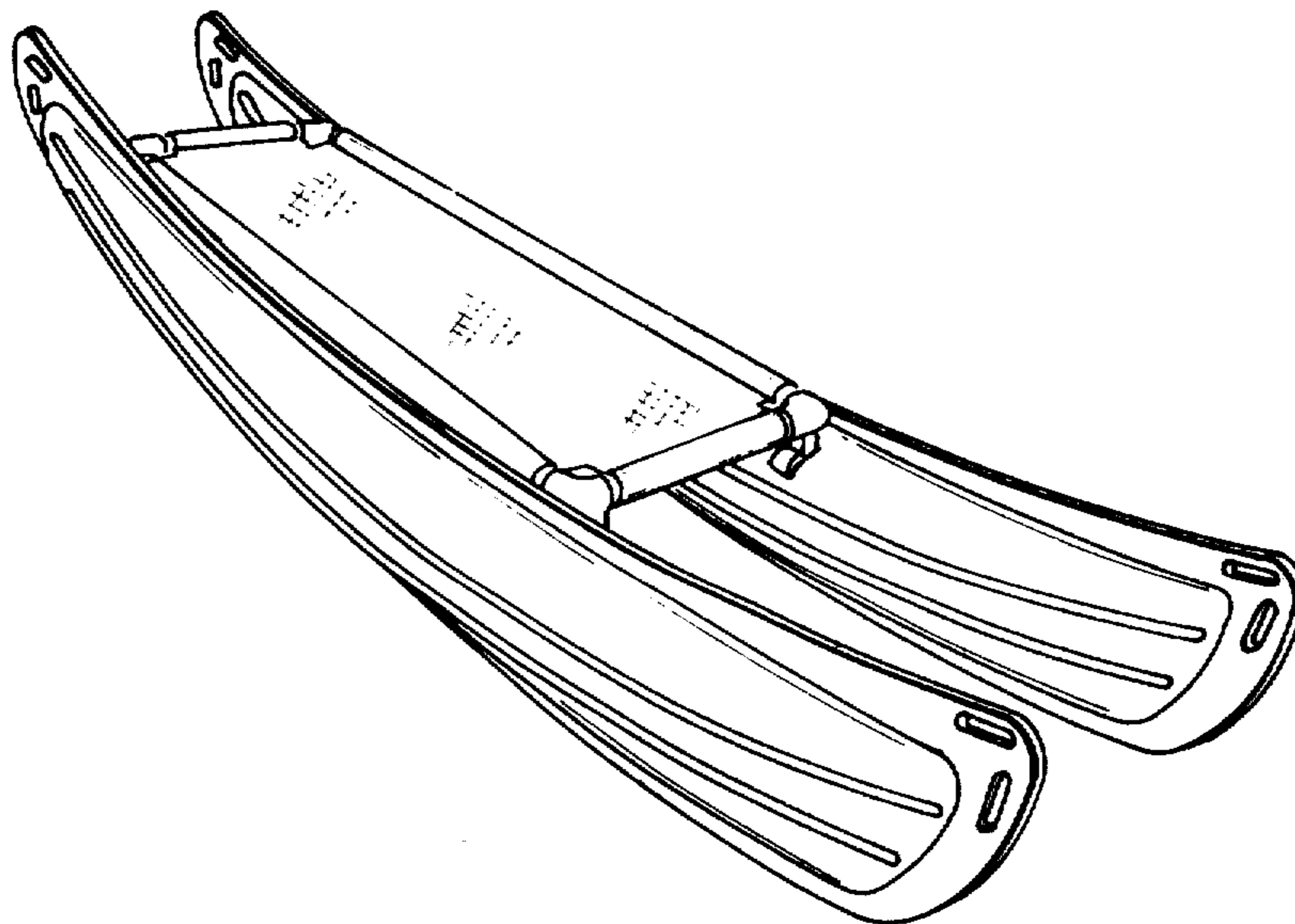


Fig. 1

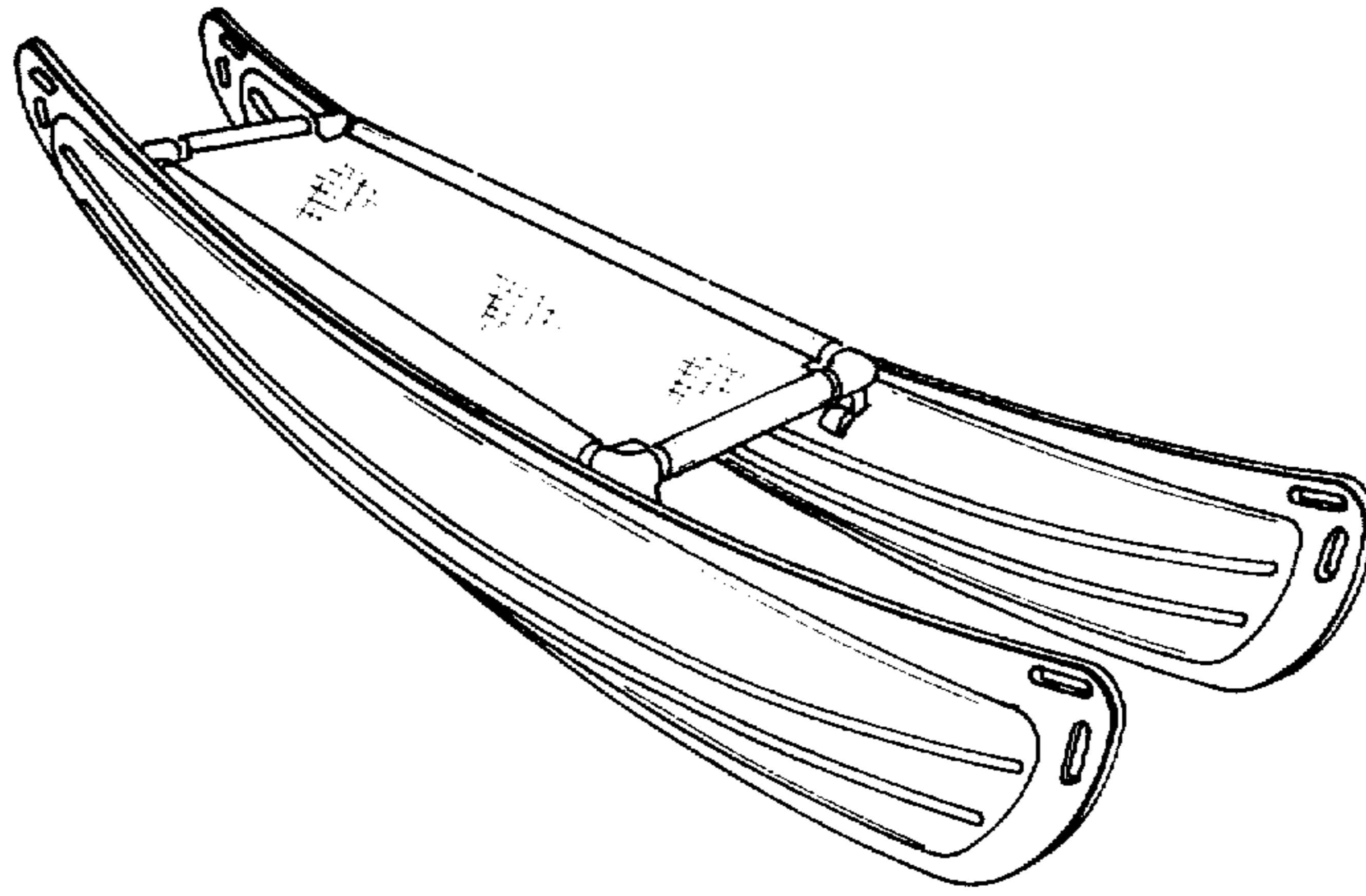


Fig. 2

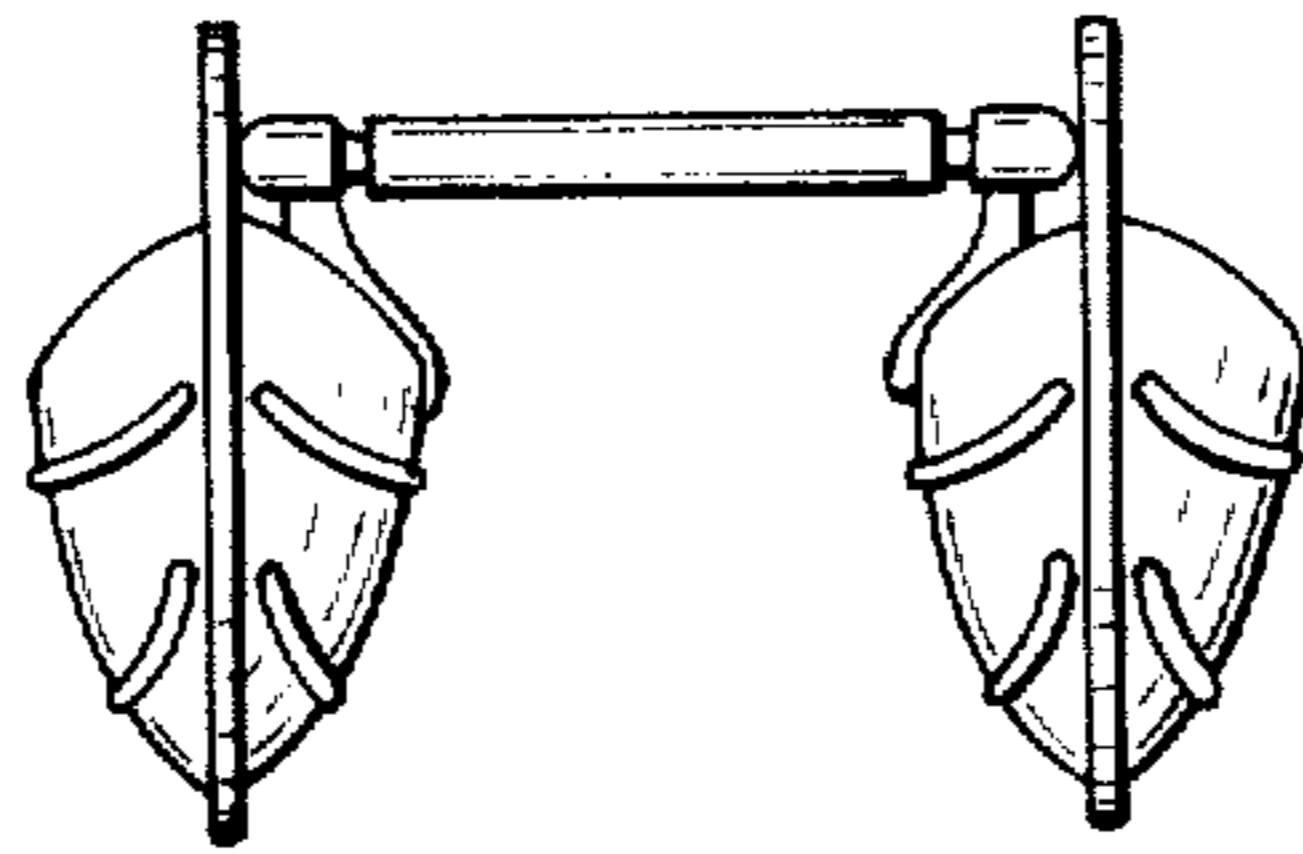


Fig. 3

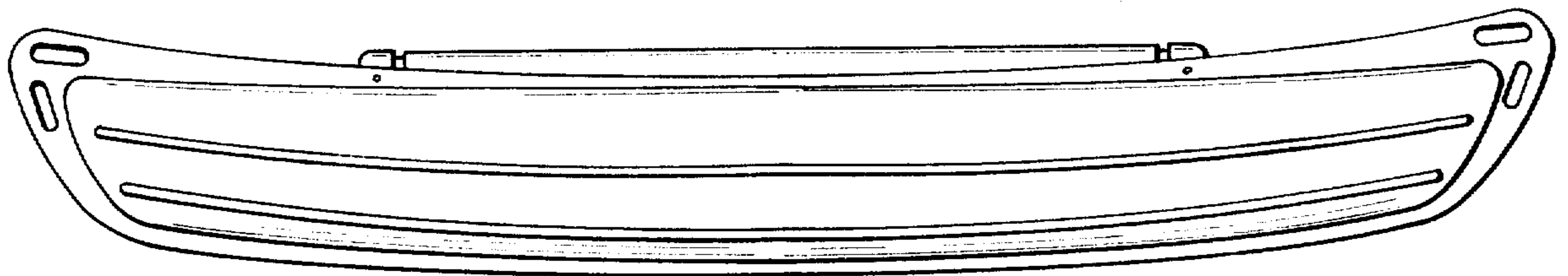


Fig. 4

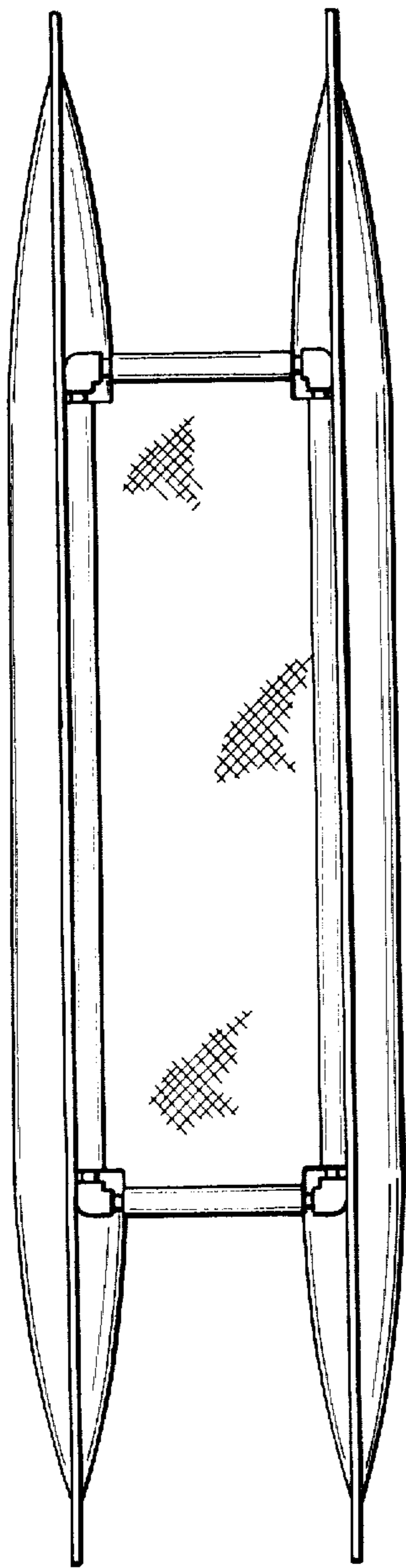


Fig. 5

