

[54] REAR VIEW MIRROR MOUNTING

[75] Inventor: Bernard C. Sharp, White Plains, N.Y.

[73] Assignee: Parker-Hannifin Corporation, Shelton, Conn.

[**] Term: 14 Years

[21] Appl. No.: 222,123

[22] Filed: Jan. 2, 1981

[51] Int. Cl. D12-16

[52] U.S. Cl. D12/187

[58] Field of Search D12/187; D28/66; 248/481, 484, 485, 486, 487, 479, 476

[56] References Cited

U.S. PATENT DOCUMENTS

- D. 95,698 5/1935 Milliken D28/66
- D. 144,740 5/1946 Somers D12/187

OTHER PUBLICATIONS

J. C. Whitney Catalog No. 384c, ©1979, p. 65, Rear

View Mirror Conversion Kit for Jeep Vehicles, lower right side of page.

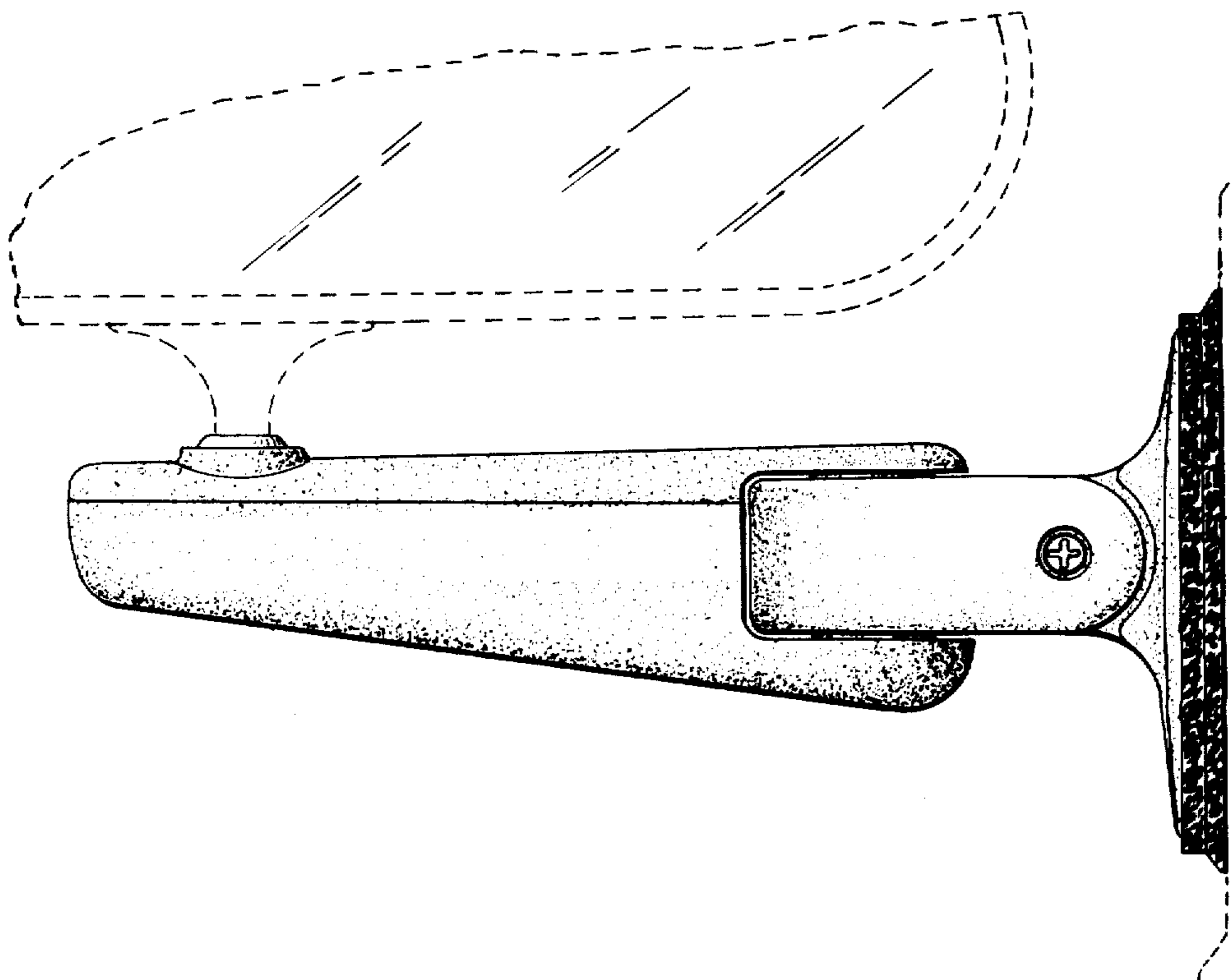
Primary Examiner—James M. Gandy
Attorney, Agent, or Firm—Albert C. Johnston

[57] CLAIM

The ornamental design for a rear view mirror mounting, substantially as shown and described.

DESCRIPTION

FIG. 1 is a side elevational view of a rear view mirror mounting embodying my new design;
 FIG. 2 is a top plan view thereof;
 FIG. 3 is a bottom plan view thereof;
 FIG. 4 is a side elevational view thereof;
 FIG. 5 is a front end elevational view thereof; and
 FIG. 6 is a rear end elevational view thereof.
 The broken line indications in FIG. 1 and FIG. 4 of an attached mirror and a support surface are shown for illustrative purposes only and are not part of the new design.



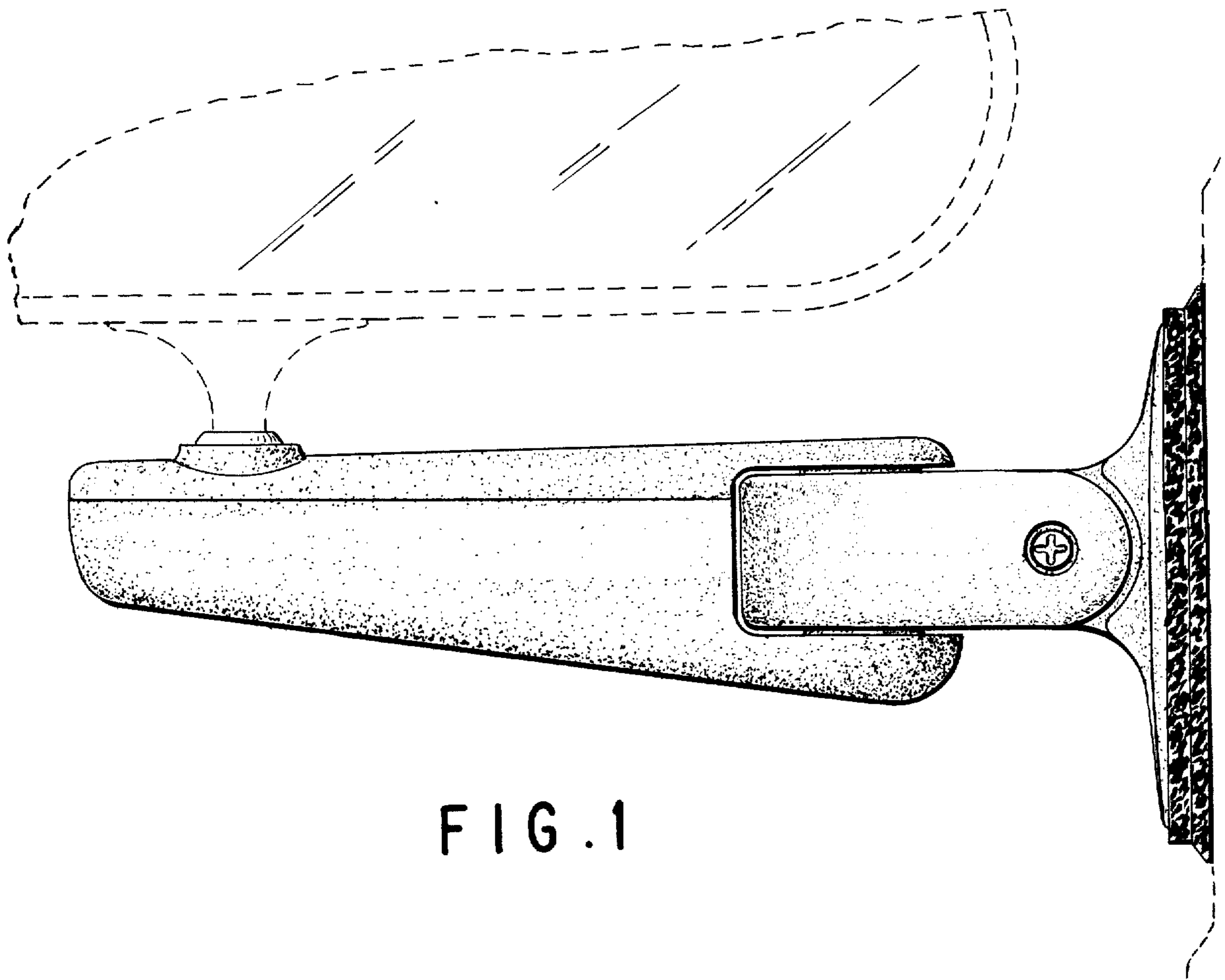


FIG. 1

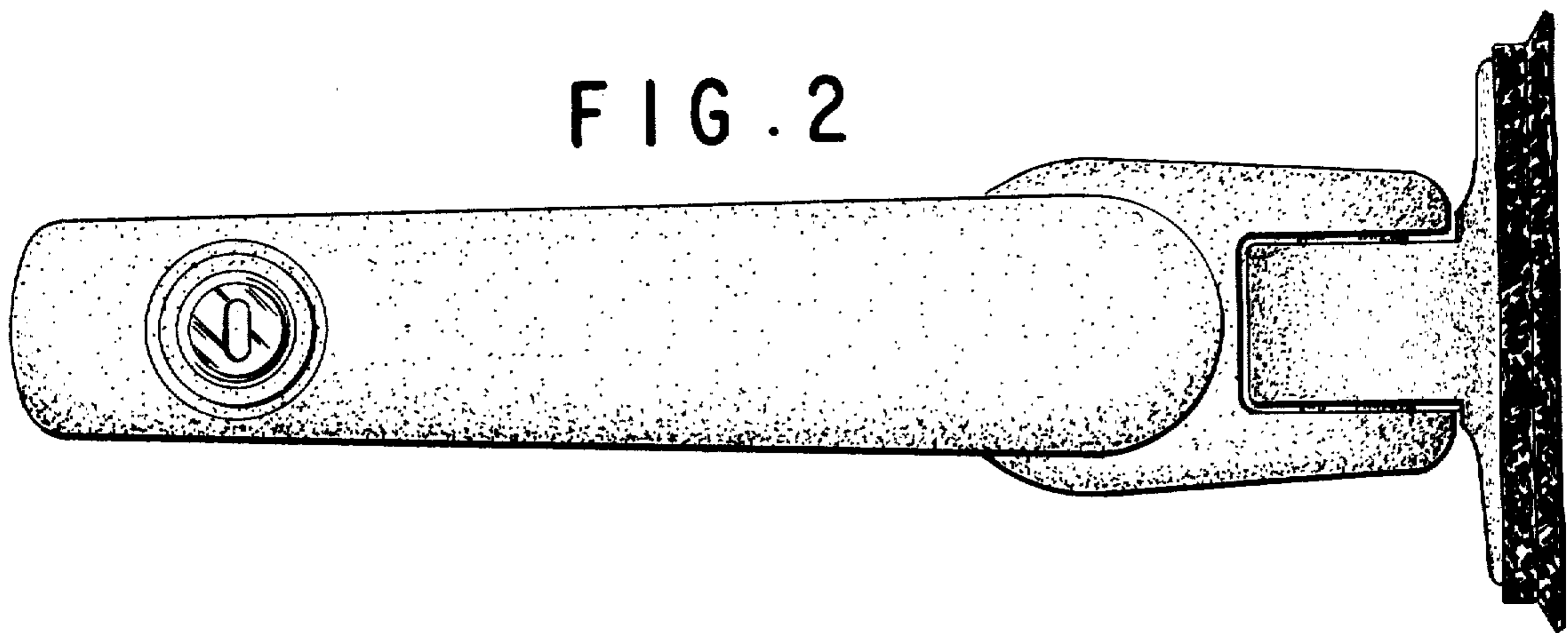


FIG. 2

FIG. 3

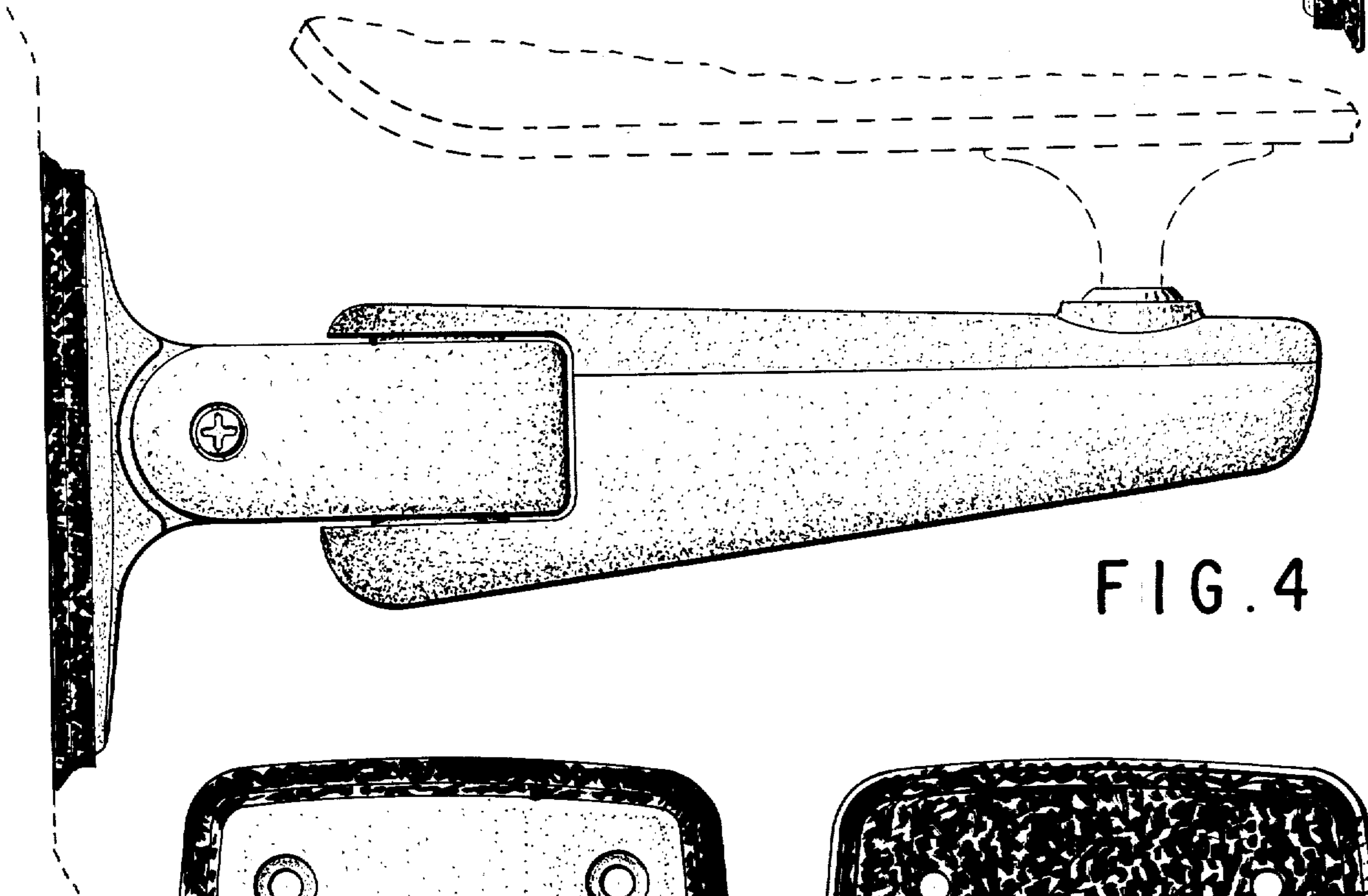
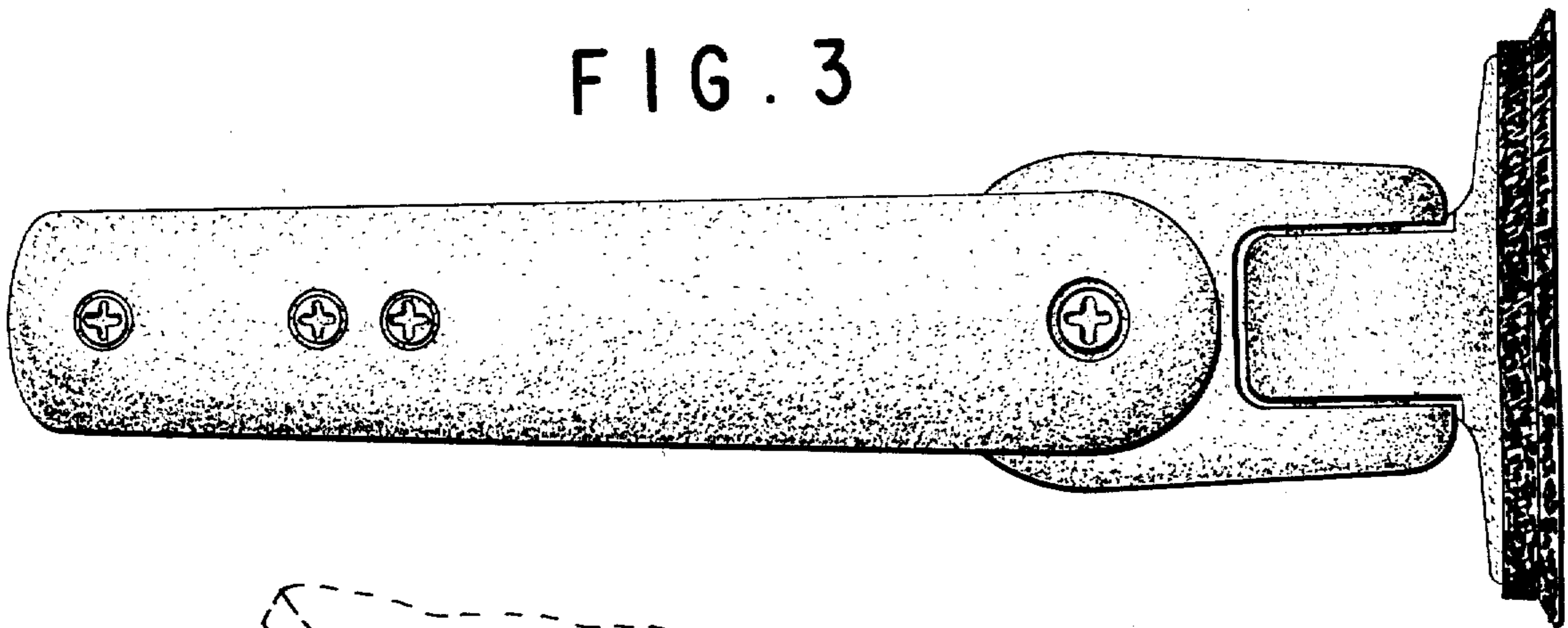


FIG. 4

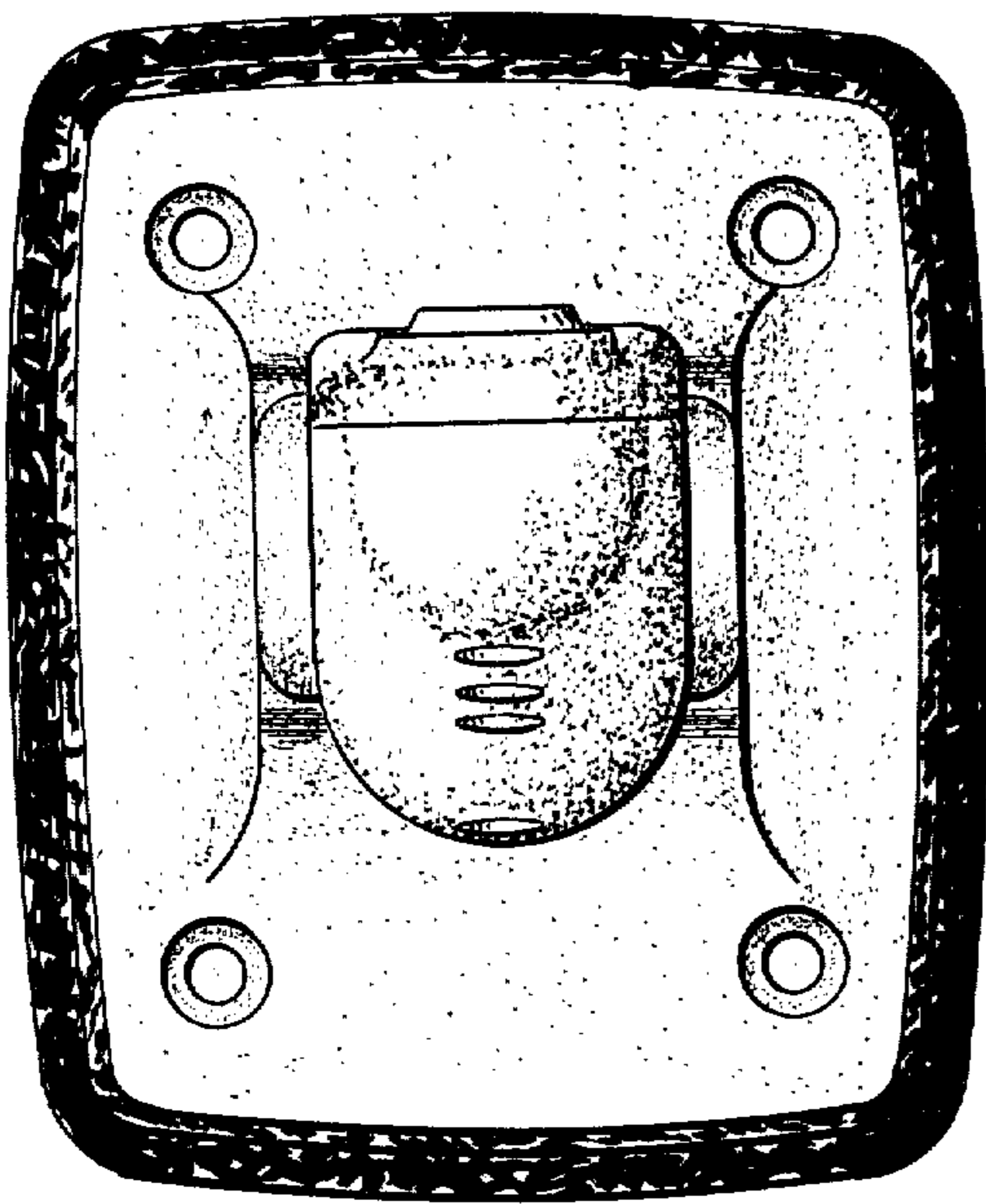


FIG. 5

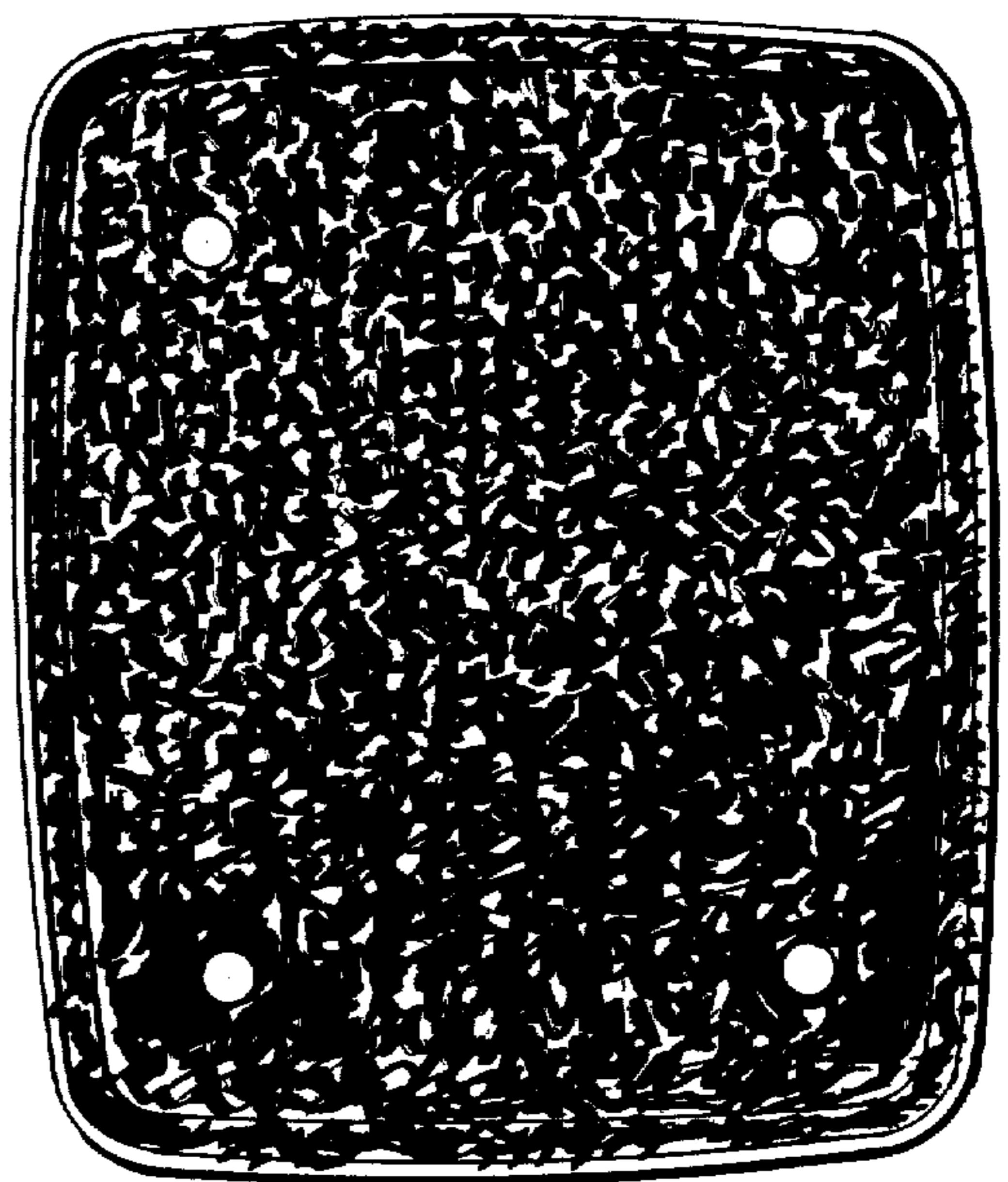


FIG. 6