

[54] **COMBINED BALL HITCH AND VEHICLE CARRIER FOR GOLF CLUB CARTS HAVING VERTICAL MOUNTING COUPLING**

[76] Inventor: **Auborn R. Hampton**, 1307 Garth Ave., Decatur, Ala. 35601

[**] Term: **14 Years**

[21] Appl. No.: **124,231**

[22] Filed: **Feb. 25, 1980**

[51] Int. Cl. **D12-16**
[52] U.S. Cl. **D12/157; D12/162**
[58] Field of Search **D12/162, 16, 157; 280/511, 504, DIG. 6; D34/15; 224/274, 42.03 R, 42.04; 293/117**

References Cited

U.S. PATENT DOCUMENTS

D. 214,787 7/1969 Whisnand et al. D12/162
D. 261,749 11/1981 Hampton D34/15

OTHER PUBLICATIONS

Master Guard Catalog, ©11/29/77, rear cover, 70 Series Bumper, upper right side of page.

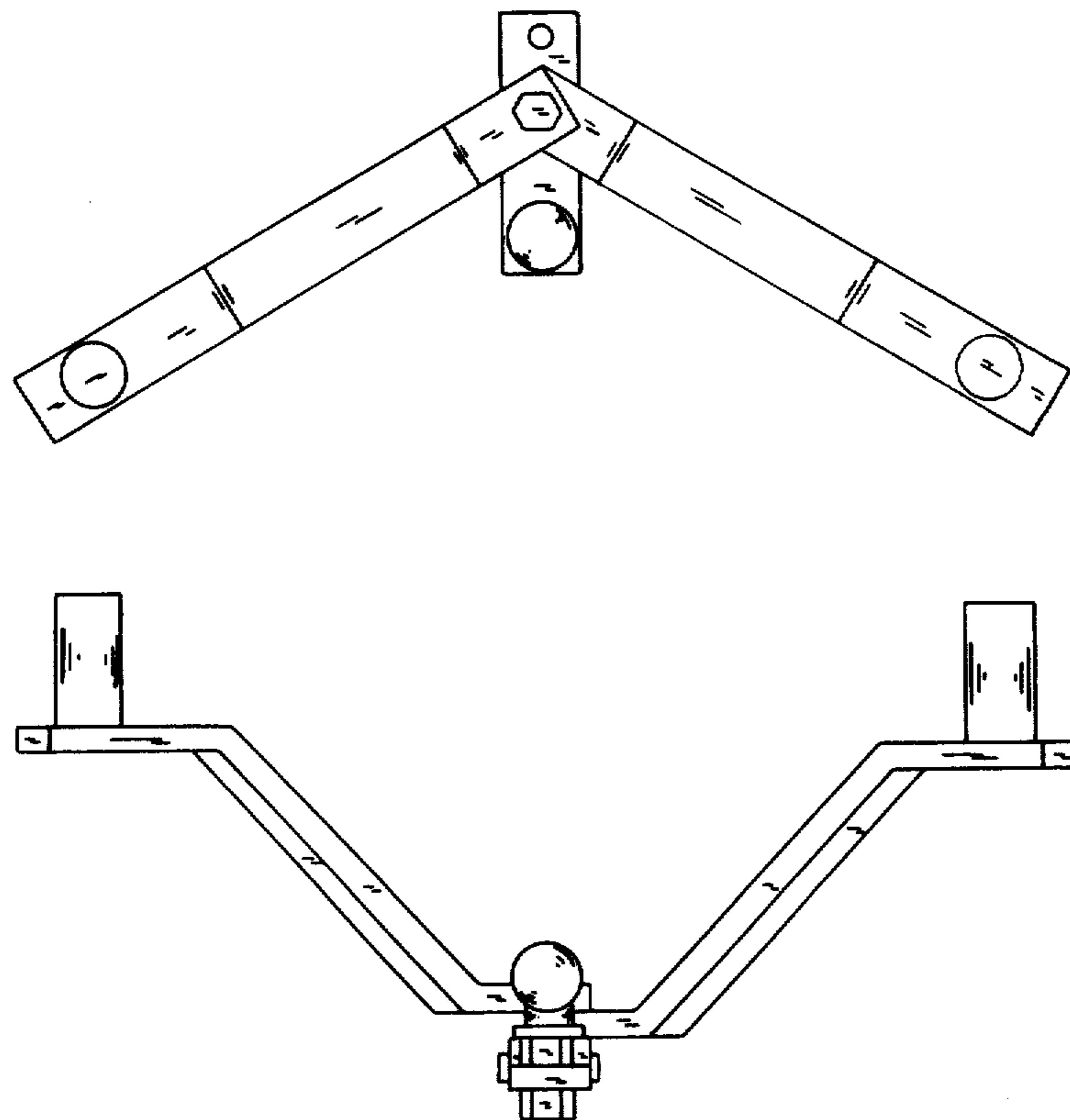
Primary Examiner—James M. Gandy
Attorney, Agent, or Firm—C. A. Phillips

[57] **CLAIM**

The ornamental design for a combined ball hitch and vehicle carrier for golf club carts having vertical mounting coupling, substantially as shown and described.

DESCRIPTION

FIG. 1 is a top plan view of a combined ball hitch and vehicle carrier for golf club carts having vertical mounting coupling showing my new design.
FIG. 2 is a rear elevational view thereof.
FIG. 3 is a front elevational view thereof.
FIG. 4 is a bottom plan view thereof.
FIG. 5 is a side elevational view as taken from the left side thereof.
FIG. 6 is a side elevational view as taken from the right side thereof.



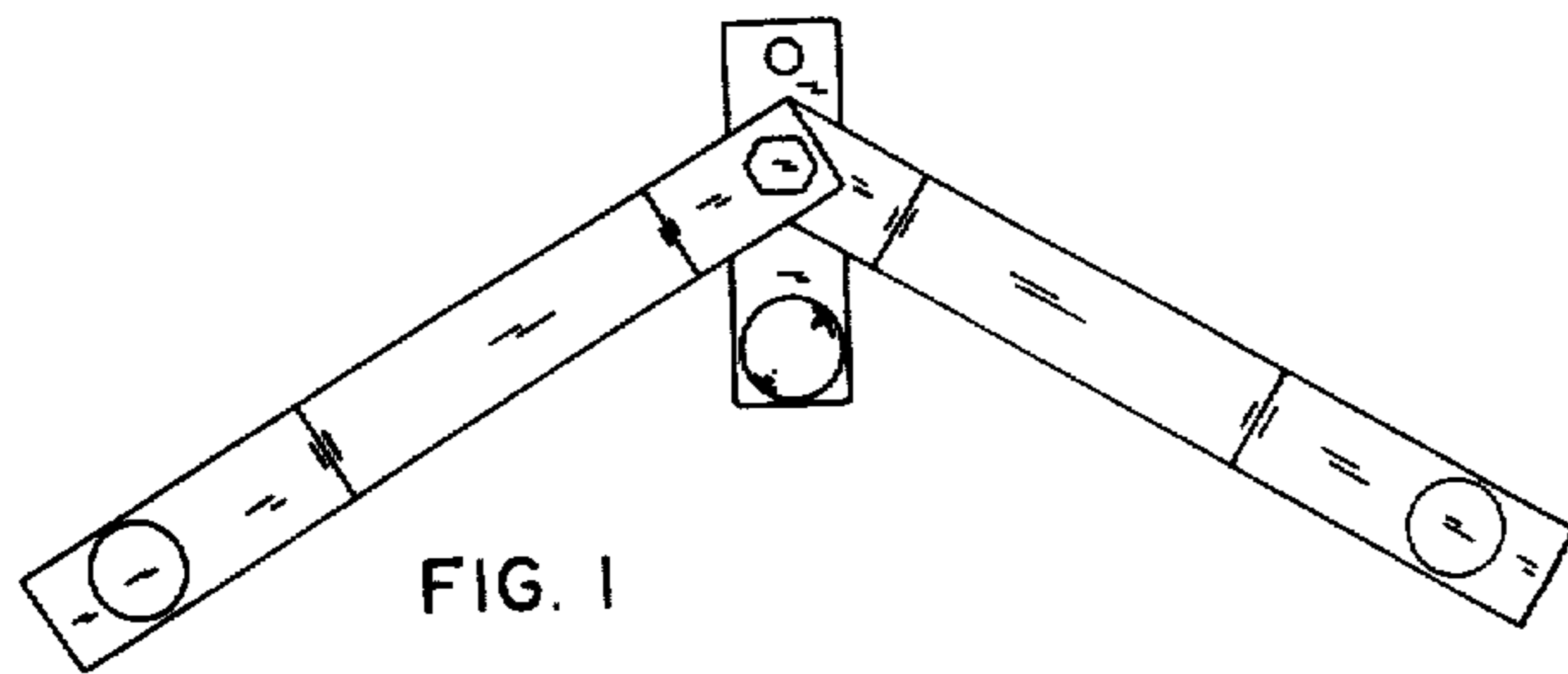


FIG. 1

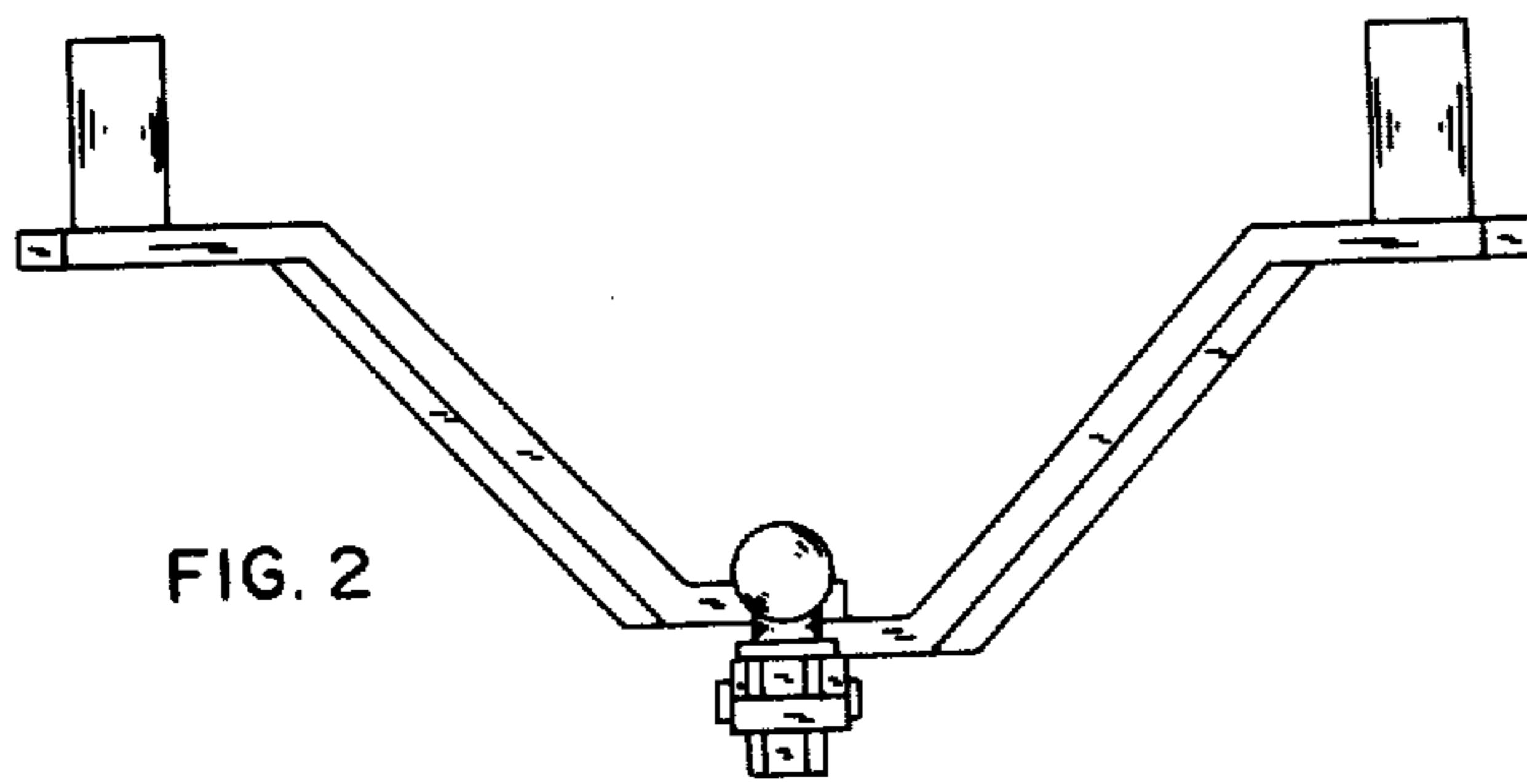


FIG. 2

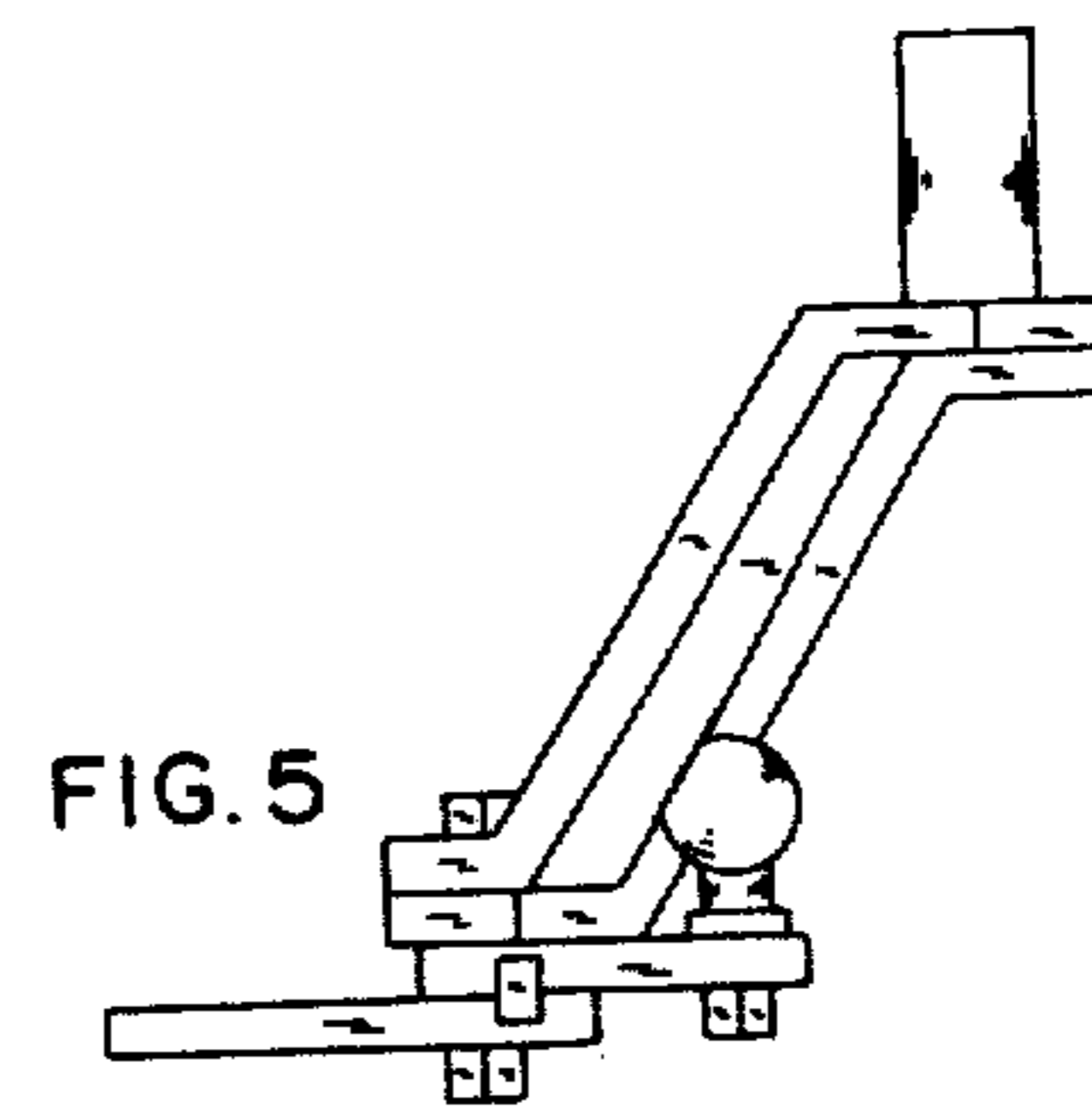


FIG. 5

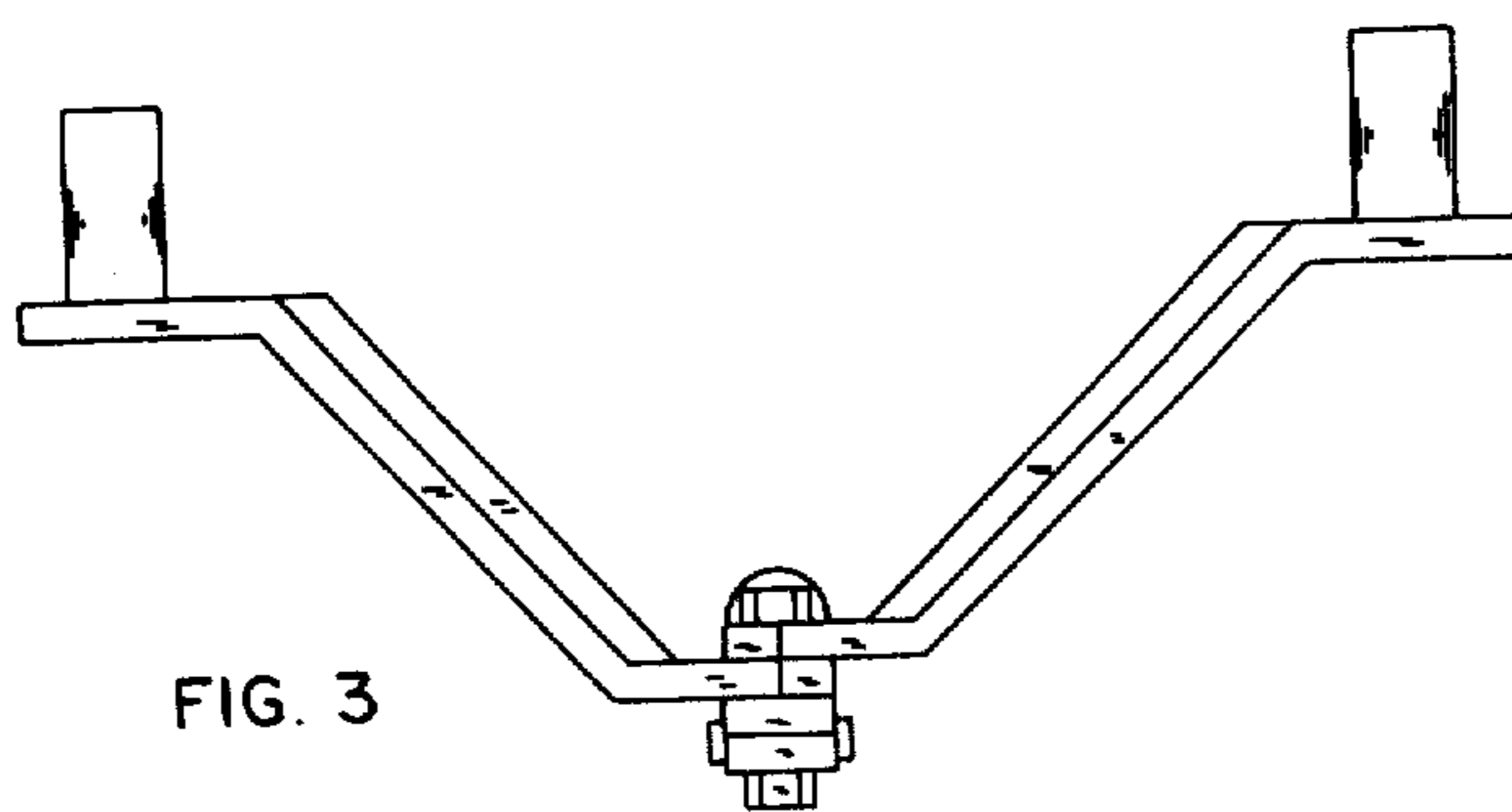


FIG. 3

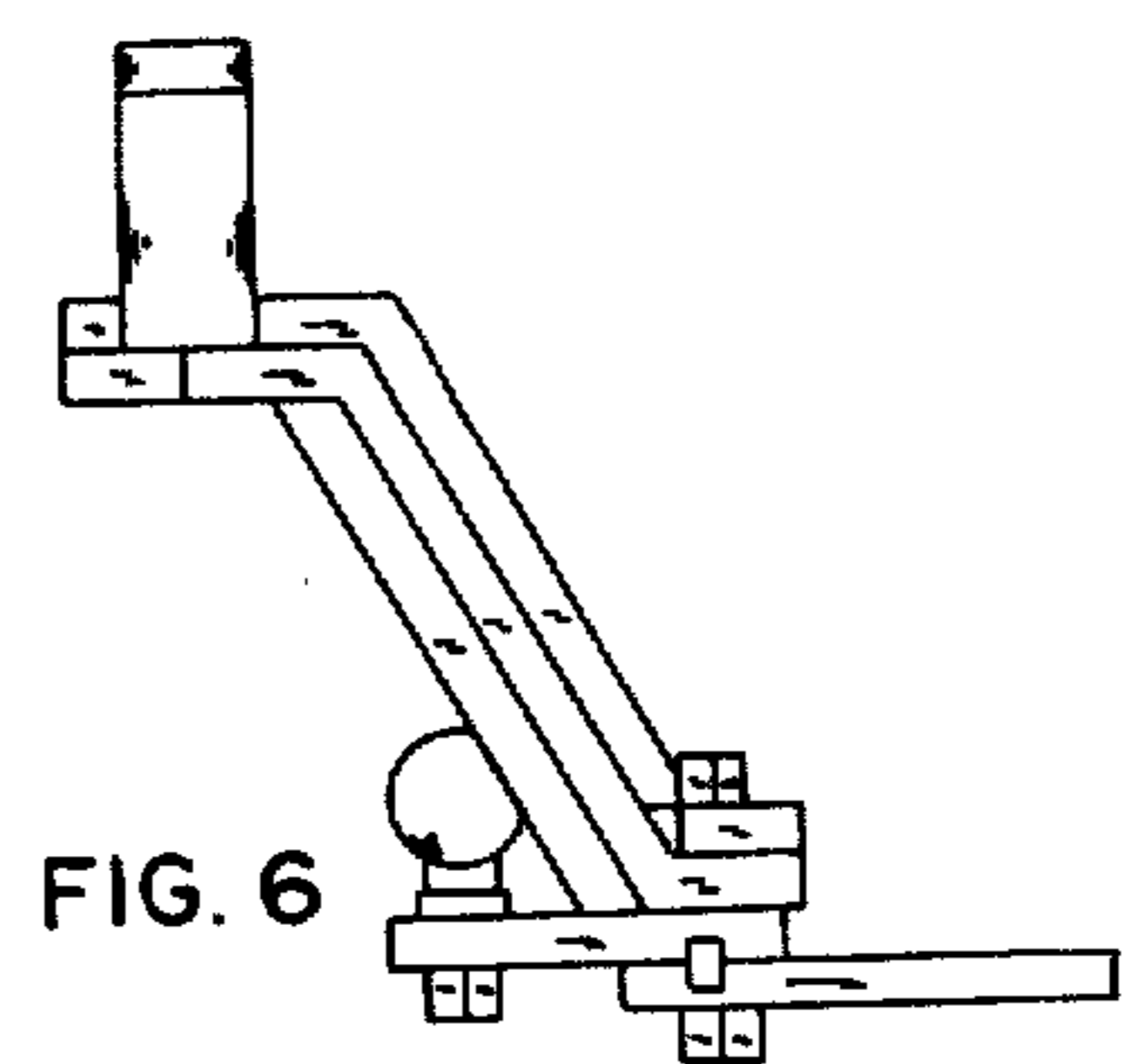


FIG. 6

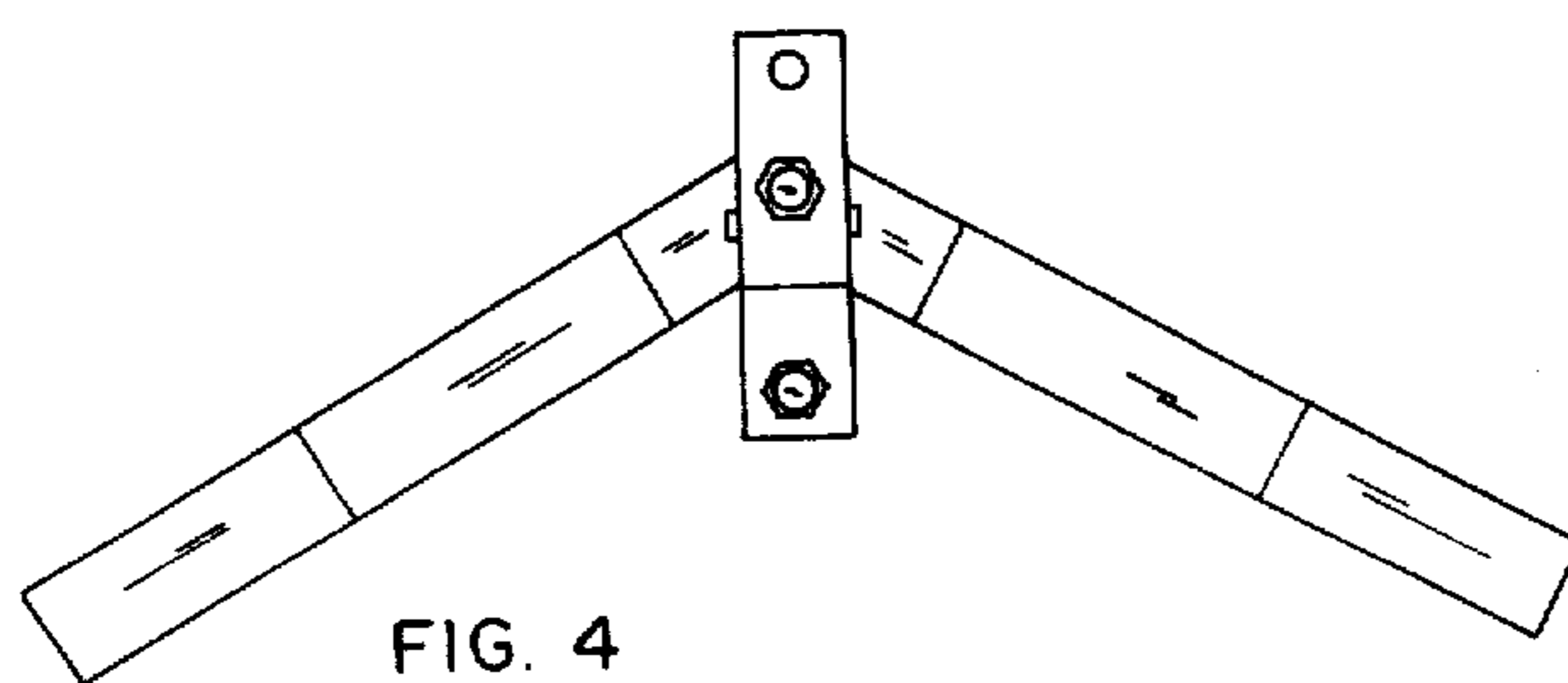


FIG. 4