

[54] AUXILIARY SIDES FOR UTILITY TRAILER

[76] Inventor: David J. Johnson, 486 S. 200 West, Mt. Pleasant, Utah 84647

[\*\*] Term: 14 Years

[21] Appl. No.: 198,962

[22] Filed: Oct. 20, 1980

[51] Int. Cl. .... D12-16

[52] U.S. Cl. .... D12/106

[58] Field of Search ..... D12/106, 156, 105, 98; 296/36, 181, 182

[56] References Cited

U.S. PATENT DOCUMENTS

- D. 243,164 1/1977 Knapheide ..... D12/98
- 2,324,508 7/1943 Johnson ..... 296/36

Primary Examiner—James M. Gandy  
Attorney, Agent, or Firm—Mallinckrodt & Mallinckrodt

[57] CLAIM

The ornamental design for auxiliary sides for utility trailer, as shown and described.

DESCRIPTION

FIG. 1 is a perspective view of the auxiliary sides for utility trailer showing my new design, it being understood that the broken lines are for illustrative purposes only;

FIG. 2 is a side elevational view thereof, the side opposite being substantially a mirror image of that shown;

FIG. 3 is a top plan view thereof;

FIG. 4 is a bottom plan view thereof;

FIG. 5 is a front elevational view thereof;

FIG. 6 is a rear elevational view thereof;

FIG. 7 is a side elevational view of the auxiliary sides for utility trailer showing a second embodiment of my new design, the opposite side being a mirror image of that shown;

FIG. 8 is a front elevational view of the embodiment of FIG. 7; and

FIG. 9 is a rear elevational view of the embodiment of FIG. 7.

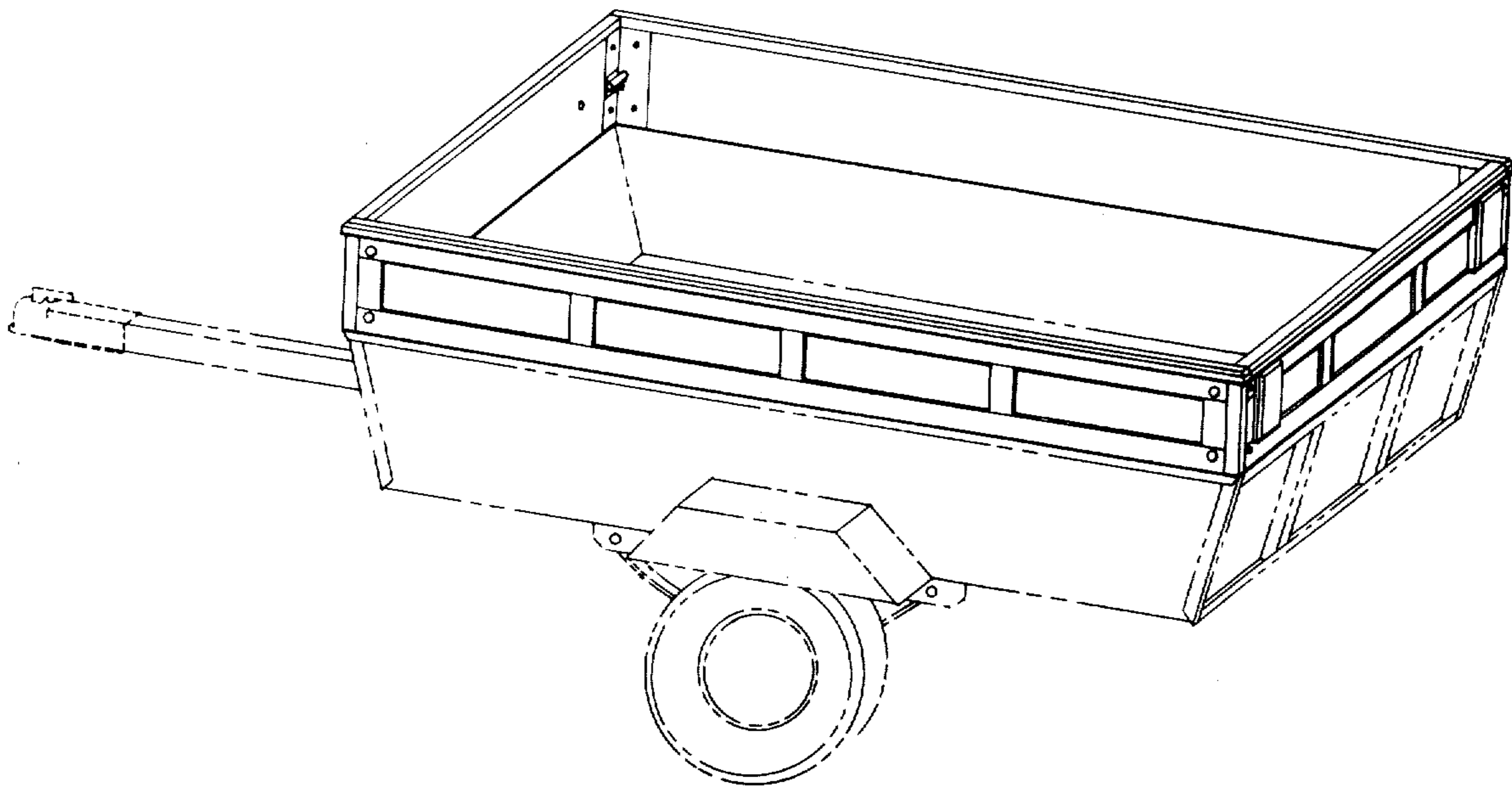
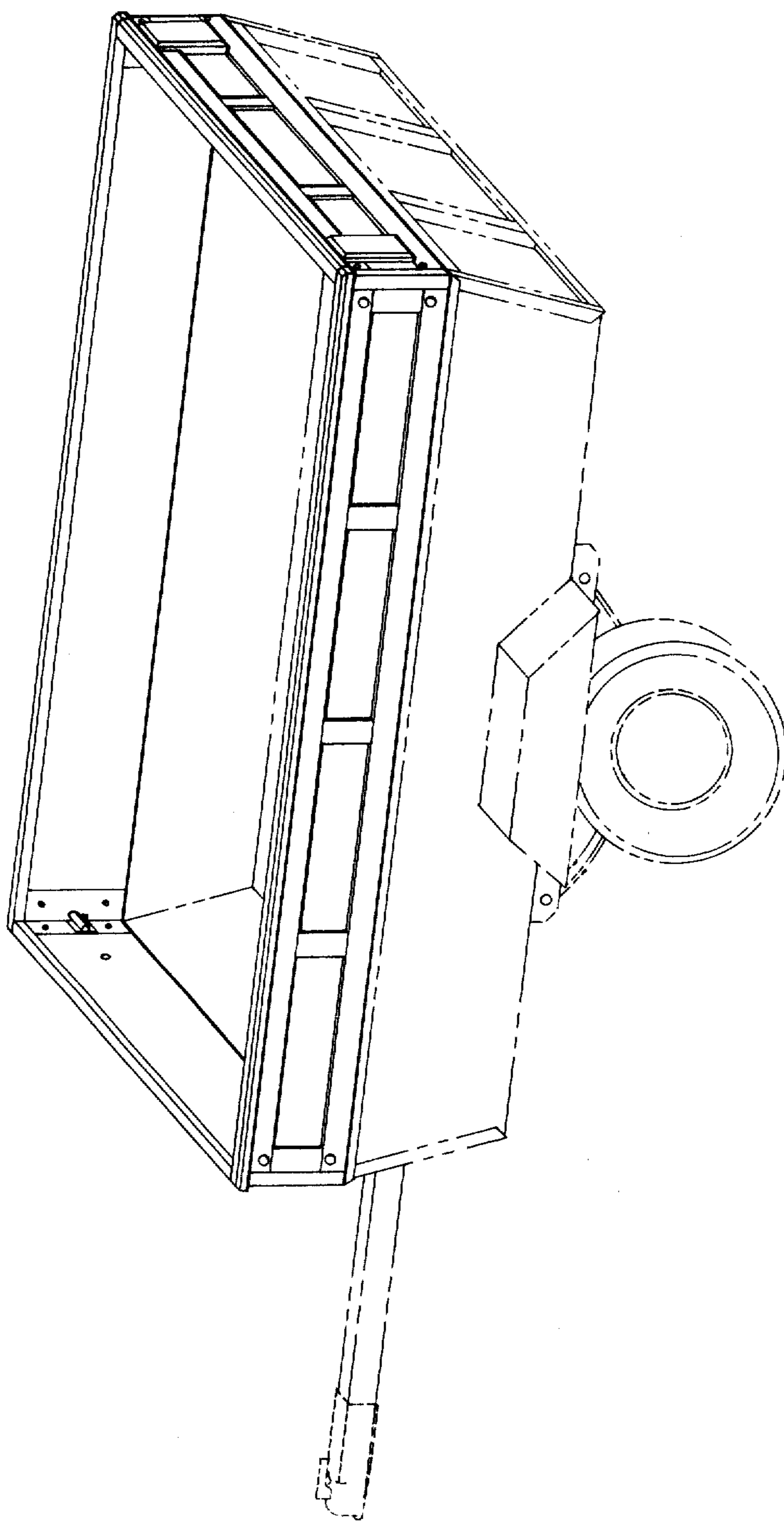


FIG. 1



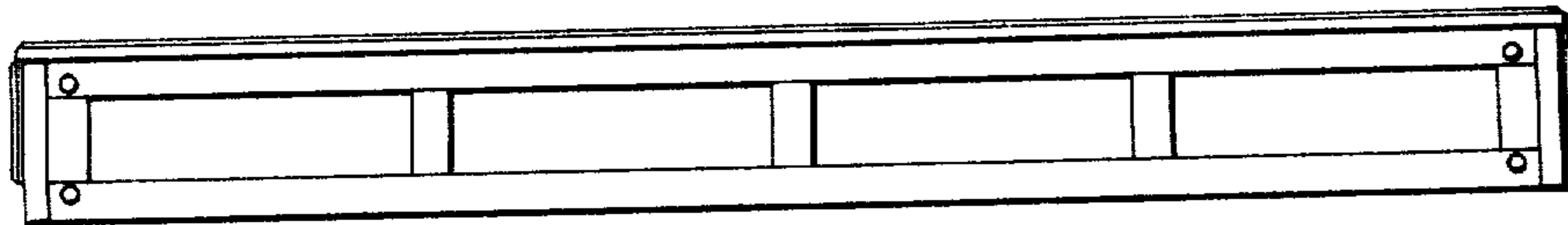


FIG. 2

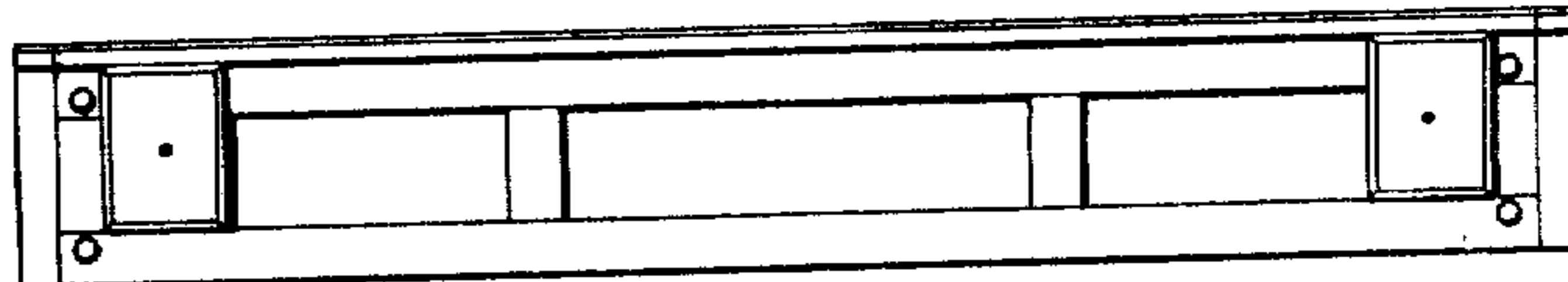


FIG. 5

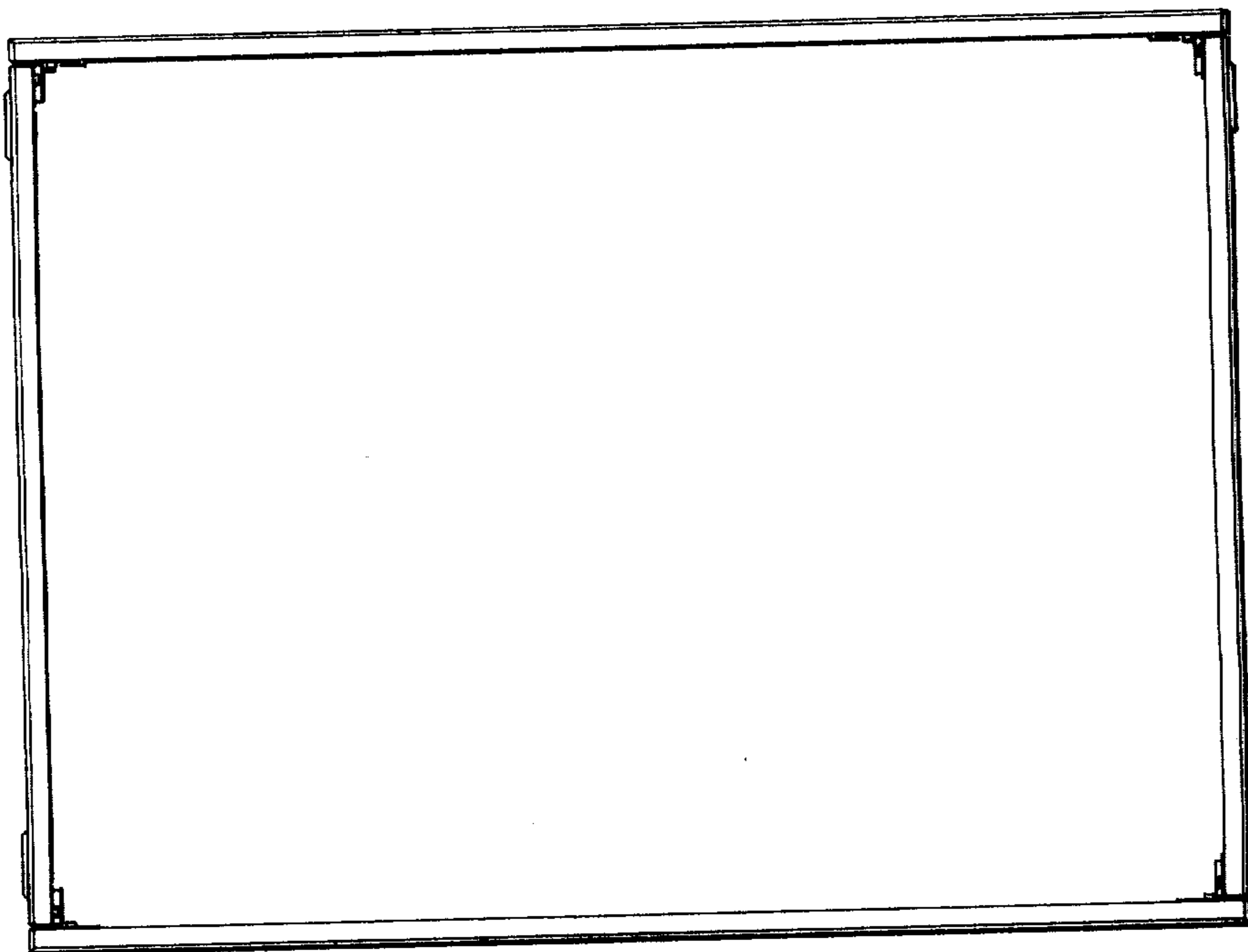


FIG. 3

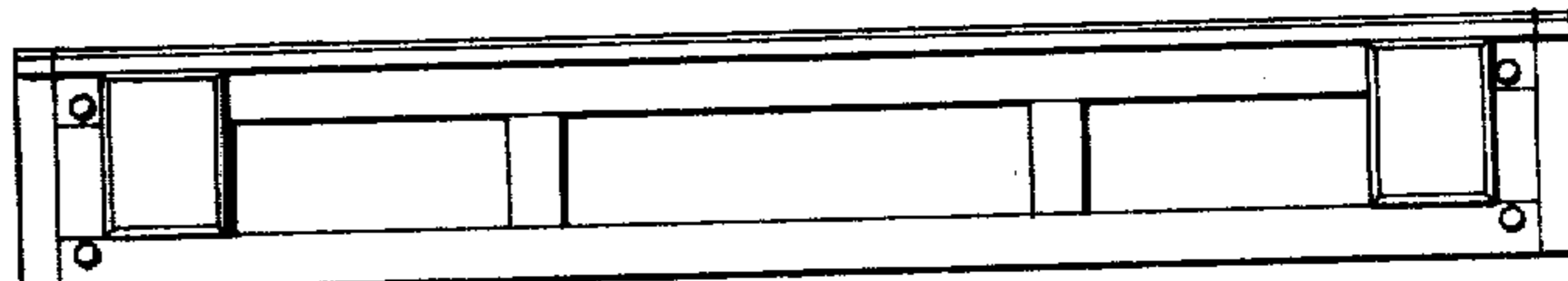


FIG. 6

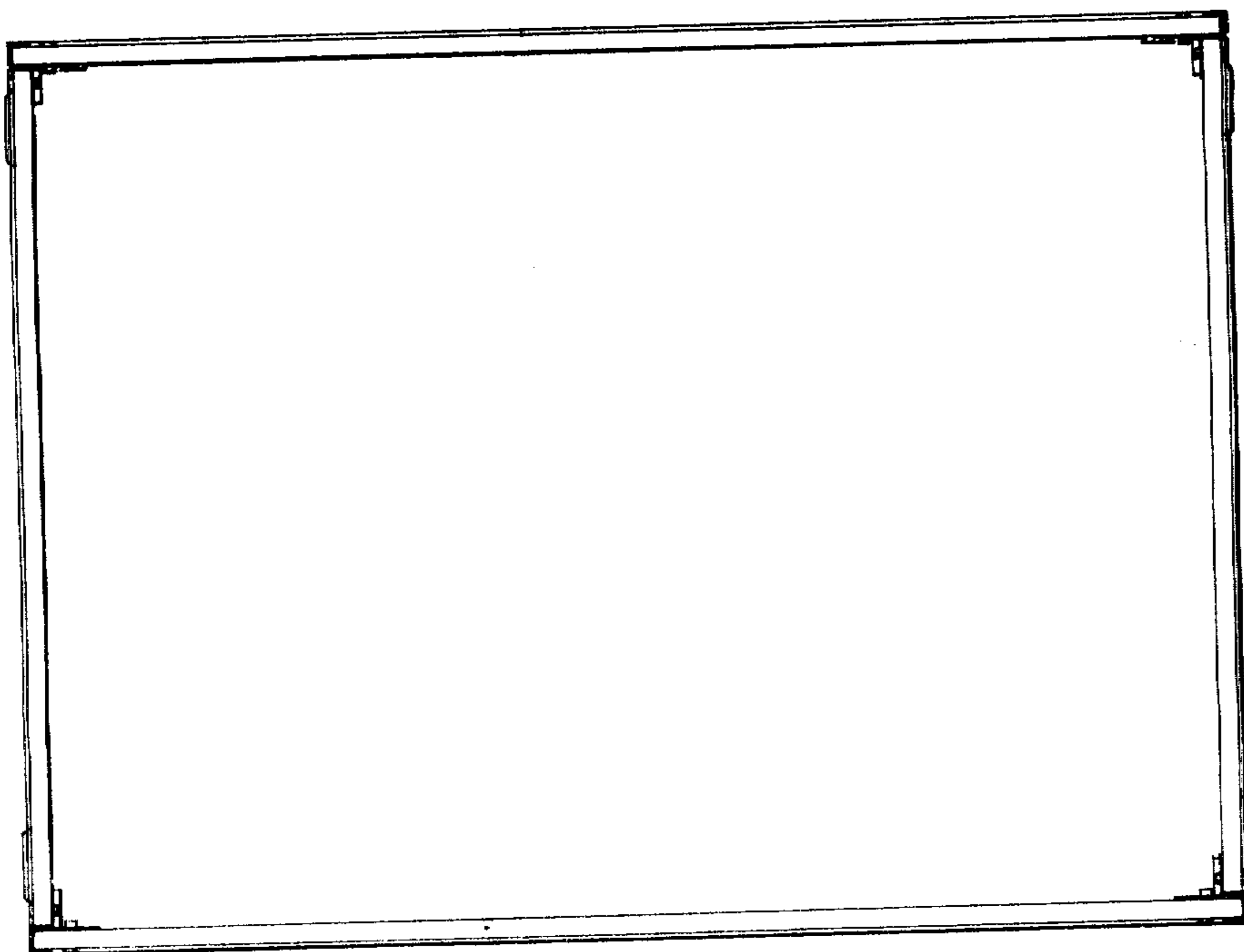


FIG. 4

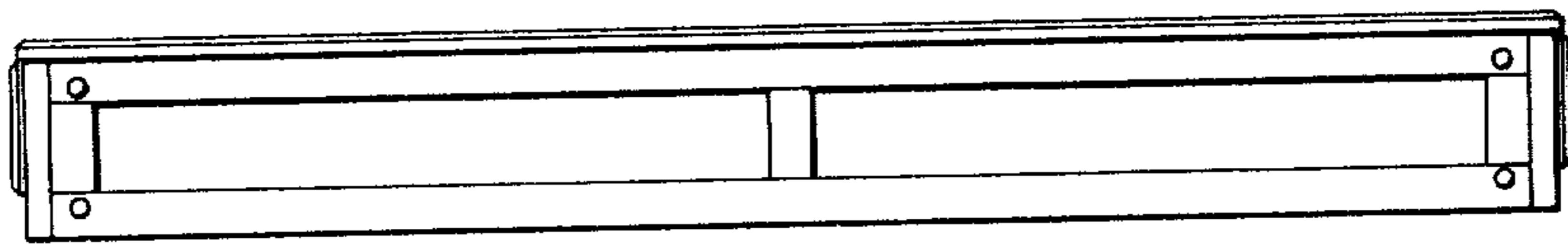


FIG. 7

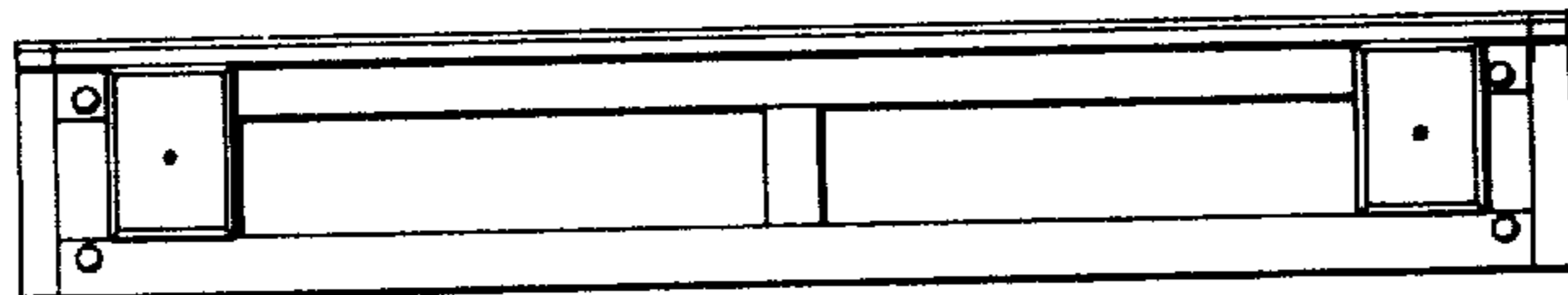


FIG. 8

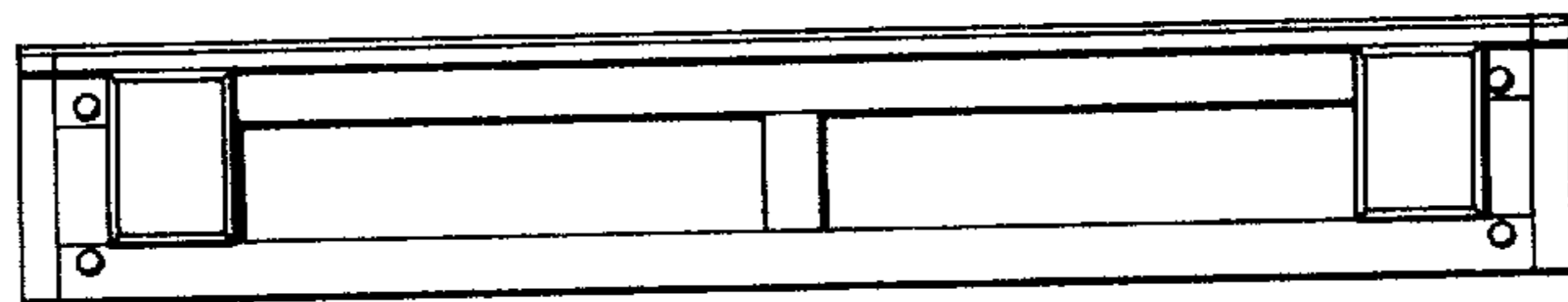


FIG. 9