

[54] BREAD STORAGE CONTAINER OR THE LIKE

[75] Inventors: Robert H. C. M. Daenen, Hekelegem; Pieter K. J. De Coster, Aalst, both of Belgium

[73] Assignee: Dart Industries, Inc., Northbrook, Ill.

[**] Term: 14 Years

[21] Appl. No.: 188,409

[22] Filed: Sep. 18, 1980

[51] Int. Cl. D07-07
[52] U.S. Cl. D7/82; D7/16
[58] Field of Search D7/79, 82, 83, 84, 16, D7/17, 18, 76; D9/423, 424, 425, 426, 431, 432, 456

[56] References Cited

U.S. PATENT DOCUMENTS

D. 127,122	5/1941	Ziskin	D7/82
D. 241,802	10/1976	Beaubian	D9/426 X
D. 246,288	11/1977	Boucher	D9/425
D. 246,289	11/1977	Boucher	D9/426
D. 256,097	7/1980	Amberg	D9/423
D. 258,722	3/1981	Commisso et al.	D9/423
3,067,921	12/1962	Reifers	D9/425 X
3,412,888	11/1968	Andrews et al.	D9/426 X

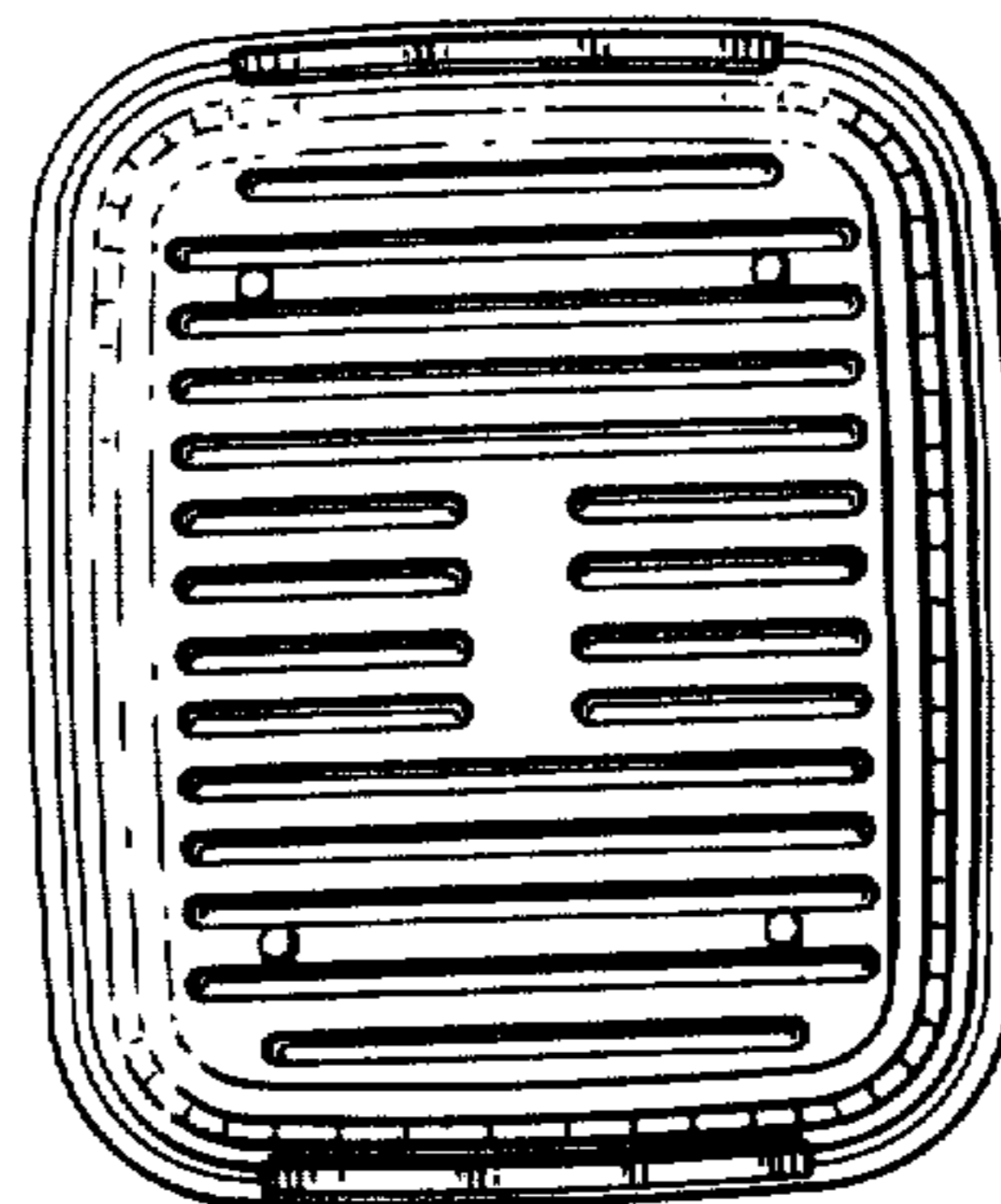
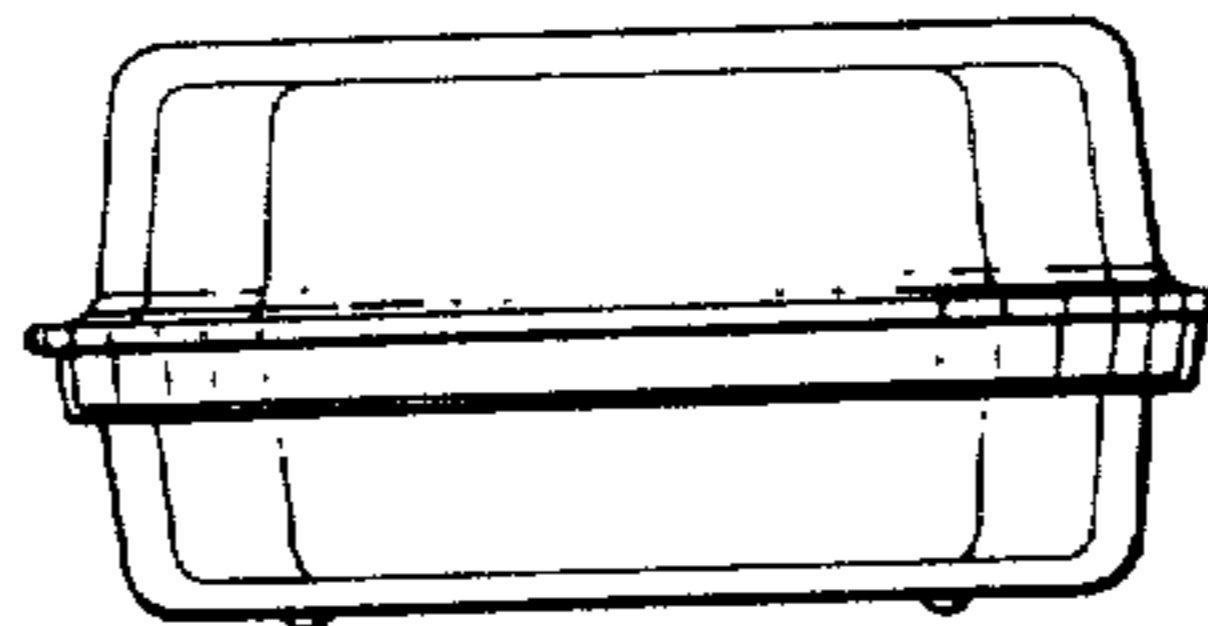
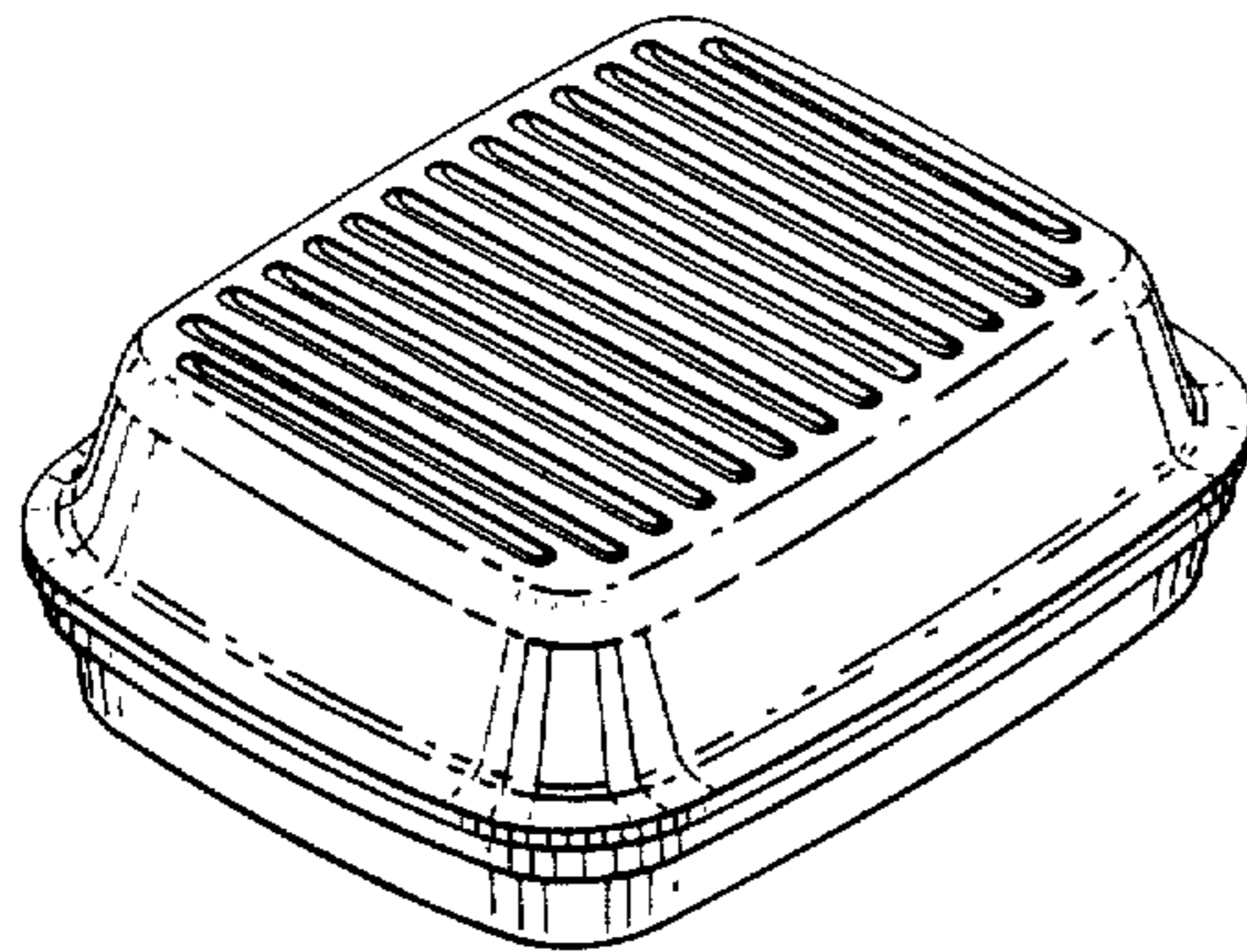
Primary Examiner—Winifred E. Herrmann
Attorney, Agent, or Firm—Leigh B. Taylor

[57] CLAIM

The ornamental design for a bread storage container or the like, substantially as shown.

DESCRIPTION

FIG. 1 is a top perspective view of a bread storage container or the like showing our new design; FIG. 2 is a side elevational view thereof; FIG. 3 is an end elevational view thereof; FIG. 4 is a top plan view thereof; and FIG. 5 is a bottom plan view thereof.



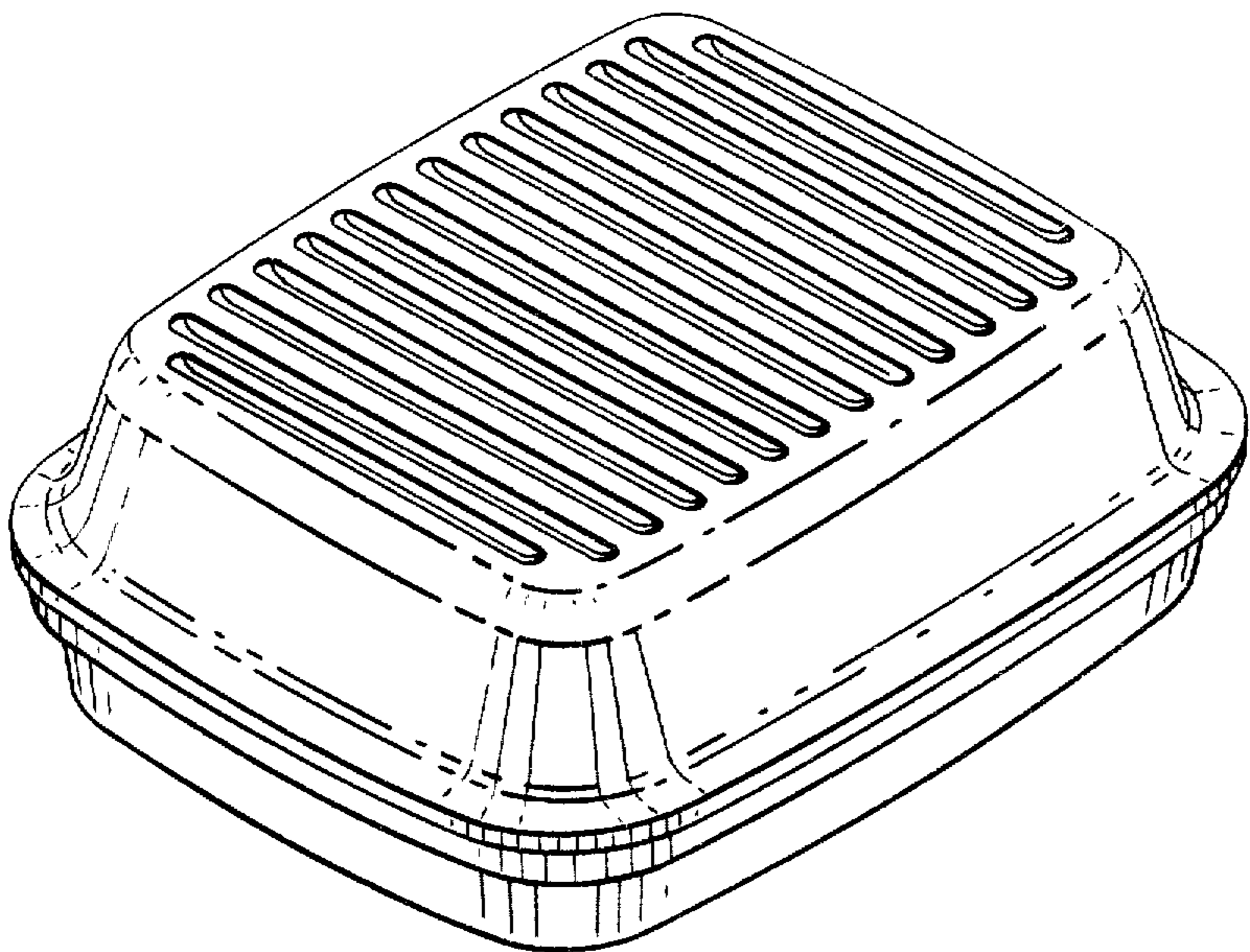


FIG. 1

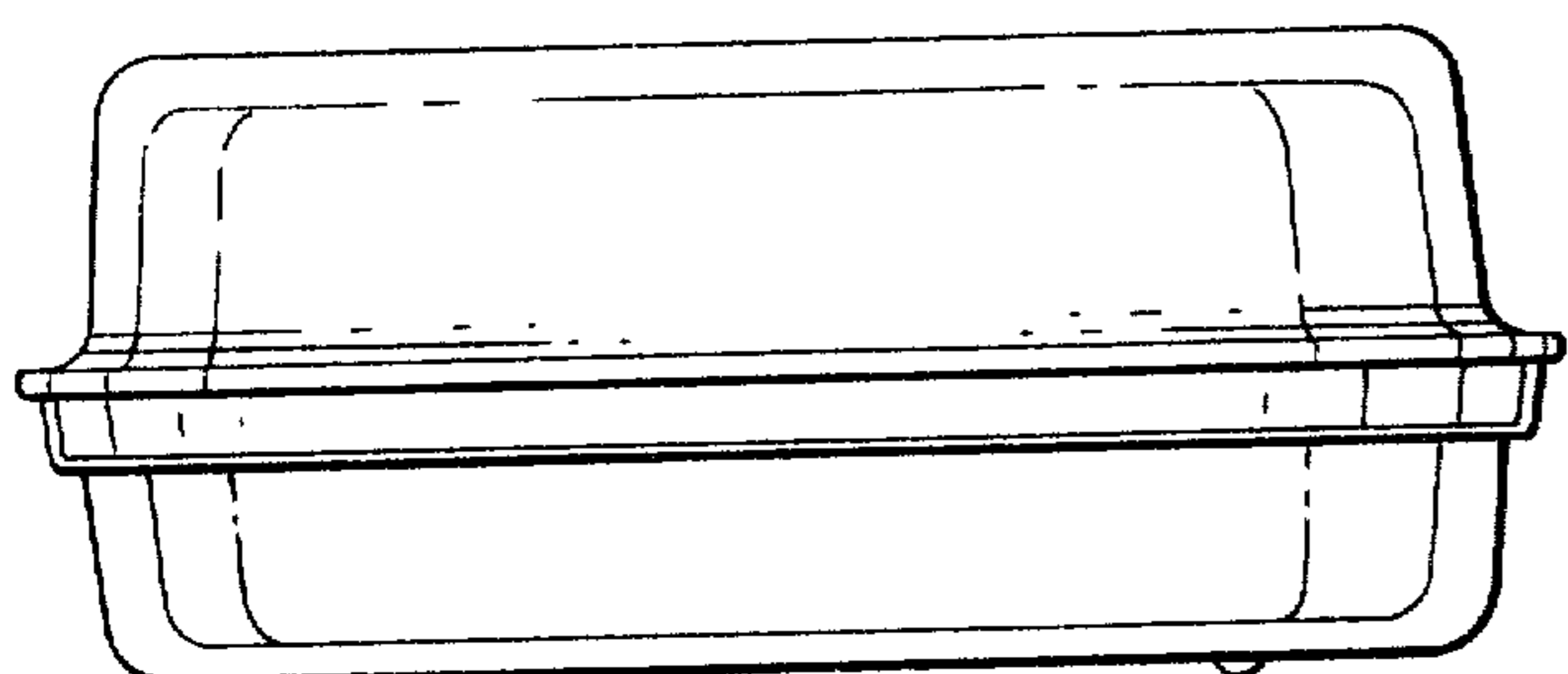


FIG. 2

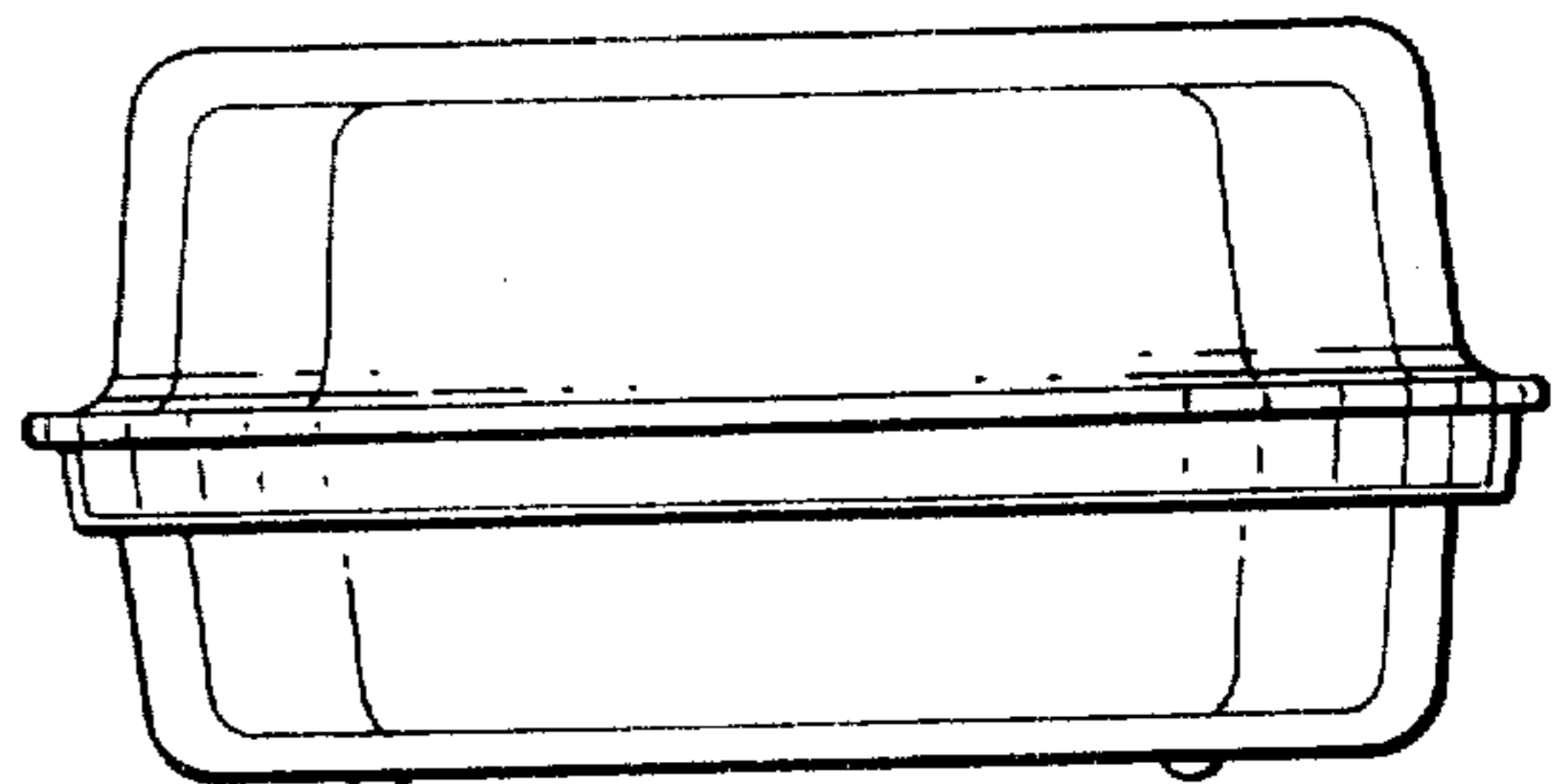


FIG. 3

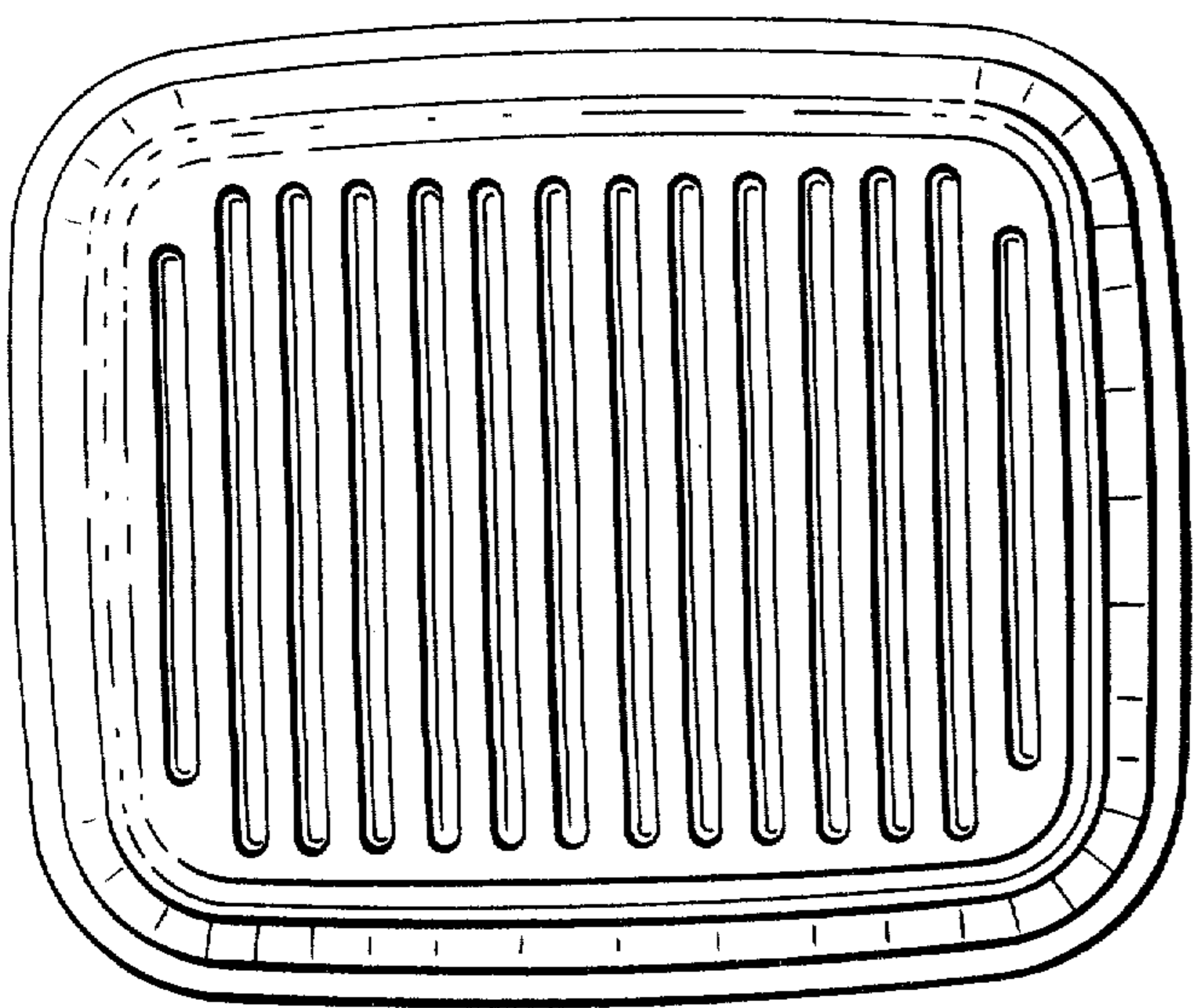


FIG. 4

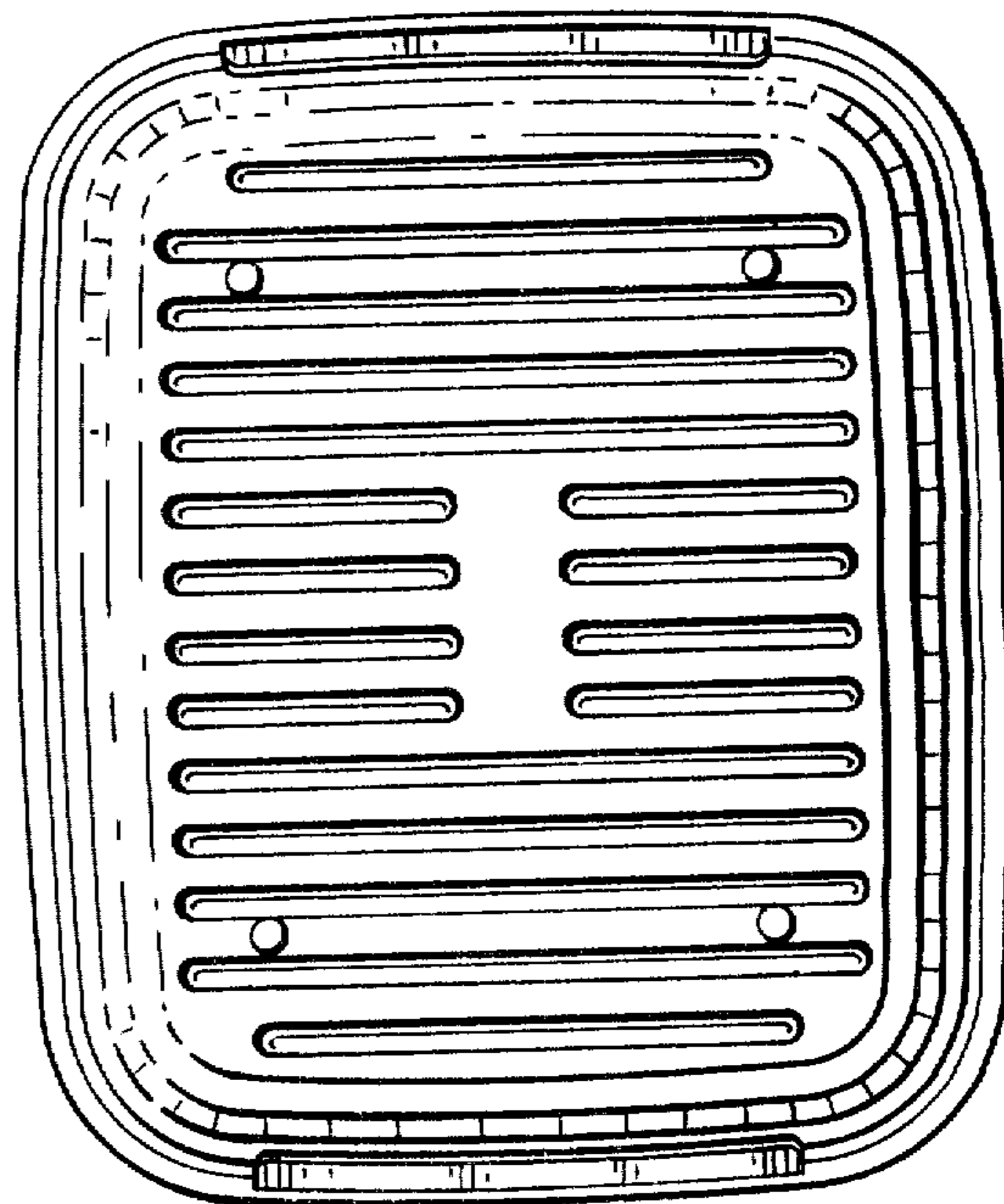


FIG. 5