

[54] **TABLE**

[75] Inventor: **Leon Rosen**, Scarsdale, N.Y.
[73] Assignee: **The Pace Collection, Inc.**, New York, N.Y.

[**] Term: **14 Years**

[21] Appl. No.: **875,918**

[22] Filed: **Feb. 7, 1978**

[51] Int. Cl. **D6—03**

[52] U.S. Cl. **D6/146; D6/175; D6/176**

[58] Field of Search **D6/145, 146, 175, 177-179**

[56] **References Cited**

U.S. PATENT DOCUMENTS

D. 183,617 9/1958 Klein et al. D6/145
D. 234,068 1/1975 Mudde D6/146 X
D. 239,487 4/1976 Hysten D6/175 X
D. 240,185 6/1976 Rosen D6/177 X

Primary Examiner—Bruce W. Dunkins
Attorney, Agent, or Firm—Darby & Darby

[57] **CLAIM**

The ornamental design for a table, as shown.

DESCRIPTION

FIG. 1 is a perspective view of a table showing my new design;
FIG. 2 is a plan view thereof; and
FIG. 3 is a side view.

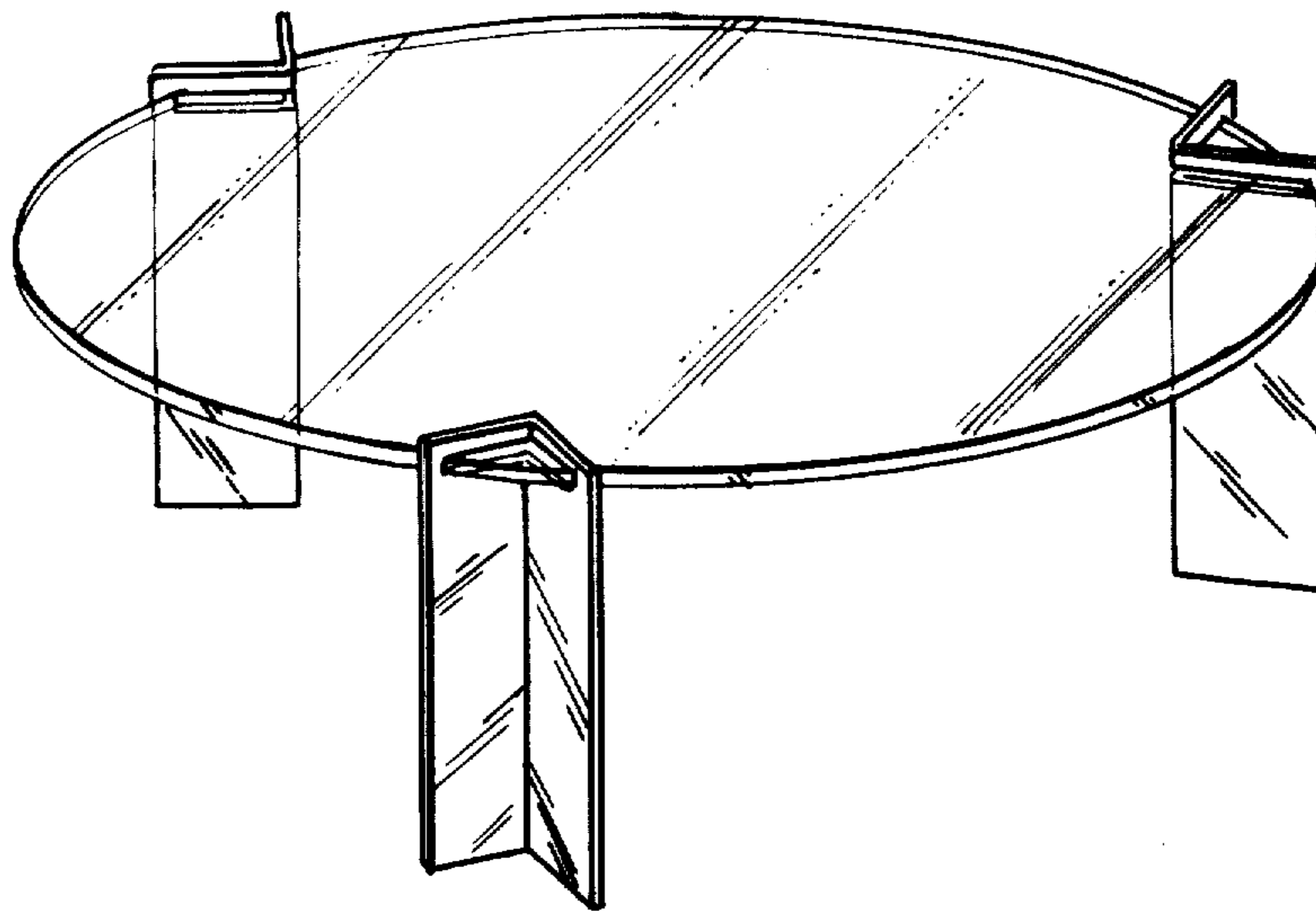


FIG. 1

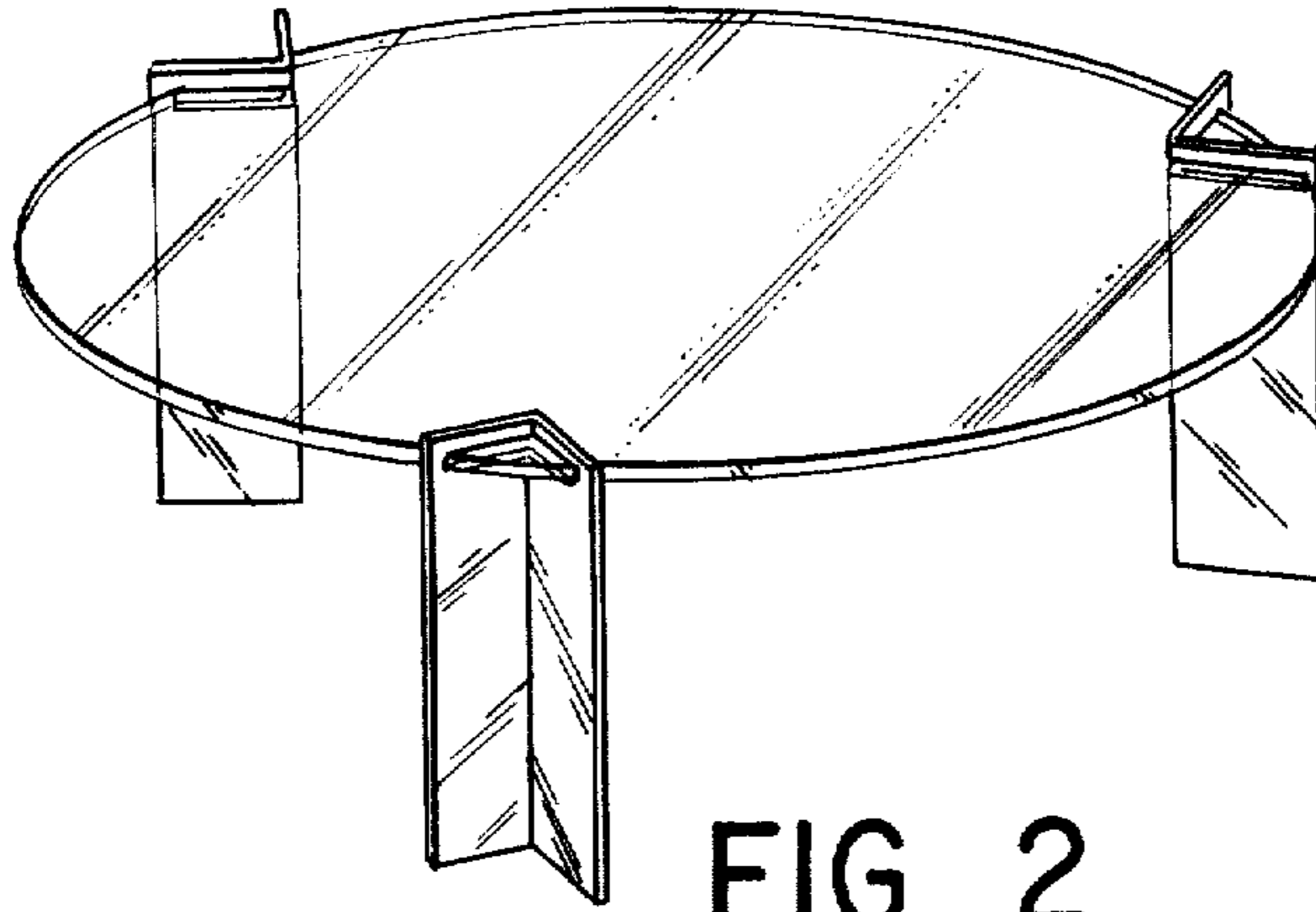


FIG. 2

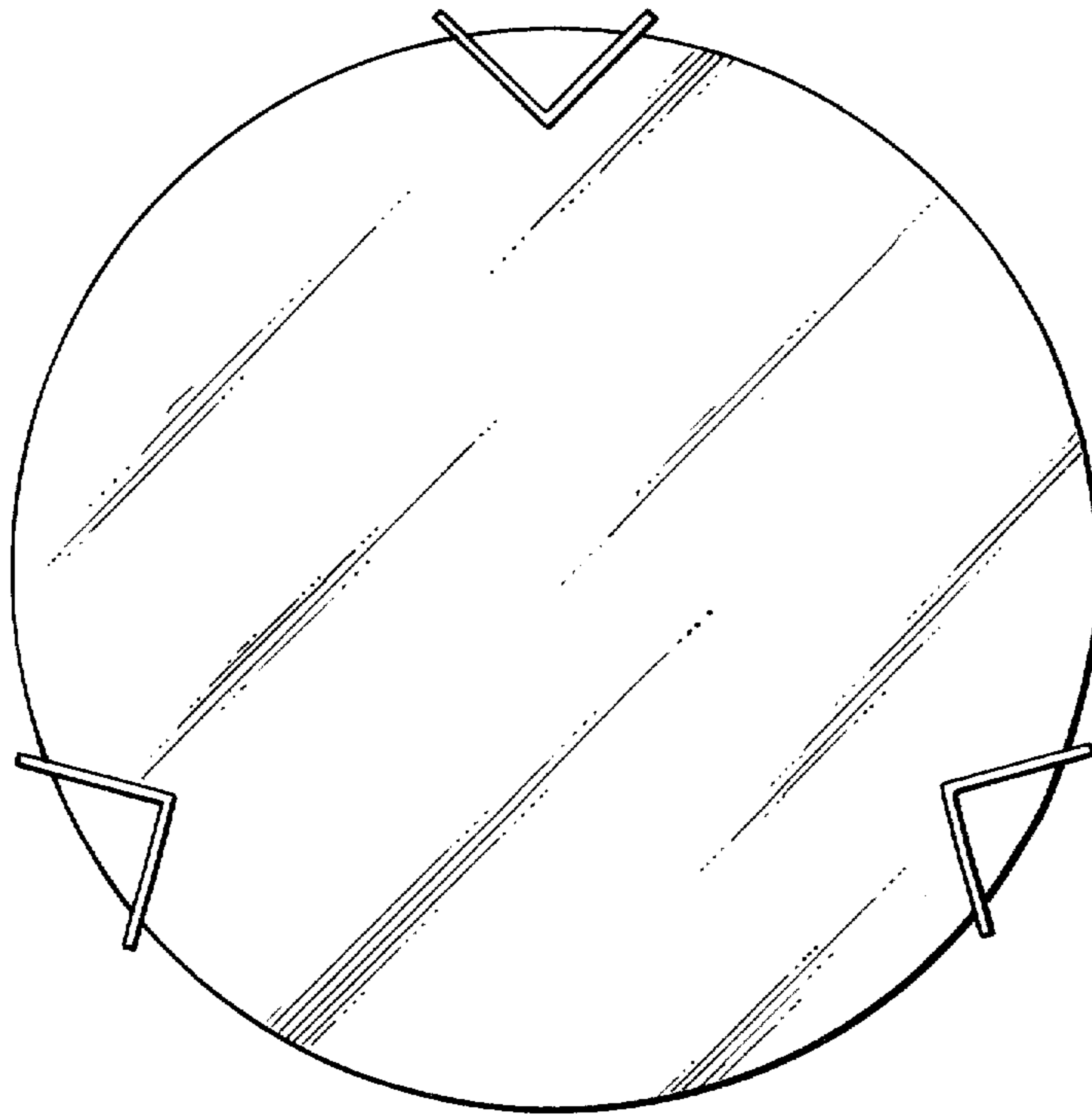


FIG. 3

