

[54] COMBINED TABLE AND ROCKABLE CHAIR UNIT

[76] Inventor: Hsiung-Cheng Liu, No. 15-6, Lane 146, Wen Hua Rd., San Hsia Cheng, Taipei Hsien, Taiwan

[**] Term: 14 Years

[21] Appl. No.: 193,283

[22] Filed: Oct. 2, 1980

[30] Foreign Application Priority Data

Apr. 16, 1980 [TW] Taiwan 6930742

[51] Int. Cl. D6-06

[52] U.S. Cl. D6/6; D6/45

[58] Field of Search D6/6, 7, 10, 11, 15, D6/42, 44, 45, 50, 52, 54; D21/251; 297/159, 157

[56] References Cited

U.S. PATENT DOCUMENTS

D. 161,731 1/1951 Boren, Sr. D6/10

D. 224,611	8/1972	Turner et al.	D6/45
D. 234,238	2/1975	Miller	D6/45
1,589,443	6/1926	Taylor	D21/251 X
1,695,737	12/1928	Molsdale	D21/251 X
3,574,395	4/1971	Pongracz	D6/45 X
3,994,527	11/1976	Nikitits et al.	D6/45 X

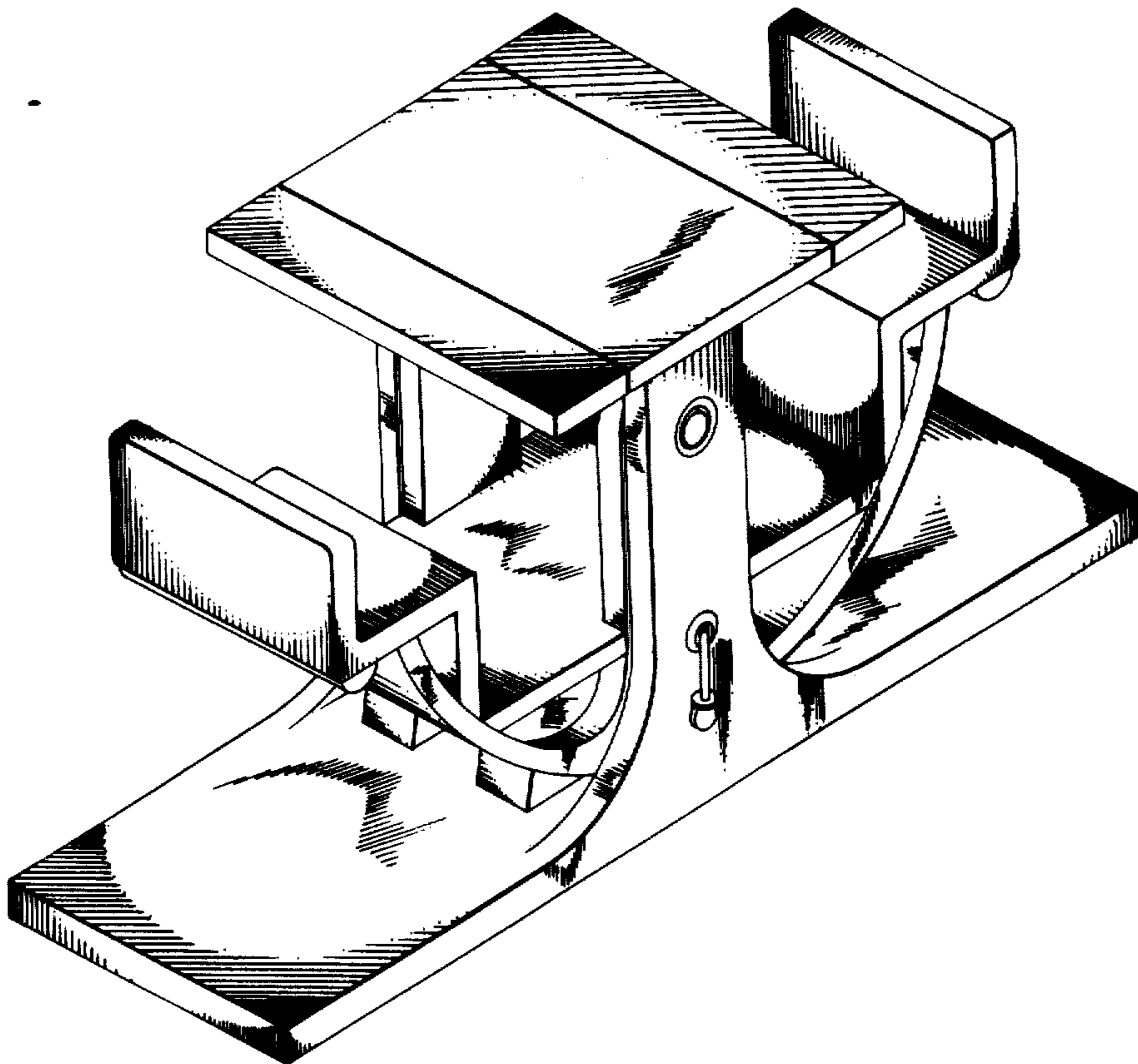
Primary Examiner—Bruce W. Dunkins
Attorney, Agent, or Firm—Robert E. Burns; Emmanuel J. Lobato; Bruce L. Adams

[57] CLAIM

The ornamental design for a combined table and rockable chair unit, as shown and described.

DESCRIPTION

FIG. 1 is a perspective view of a combined table and rockable chair unit showing my new design; FIG. 2 is a side elevation thereof, the opposite side being the same; FIG. 3 is an end elevation thereof, the opposite end being the same; FIG. 4 is a top plan view thereof; and FIG. 5 is a bottom view thereof.



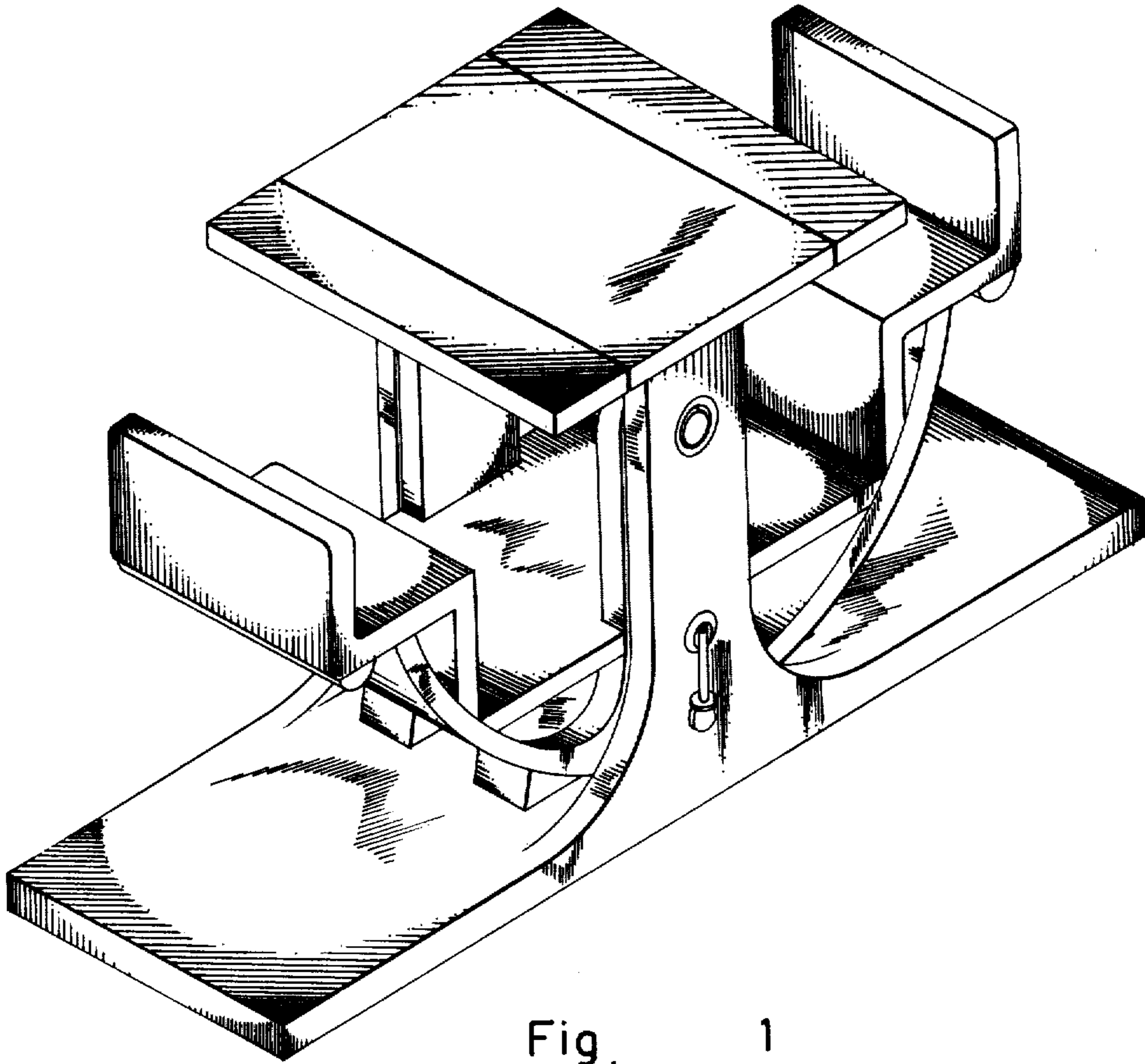


Fig. 1

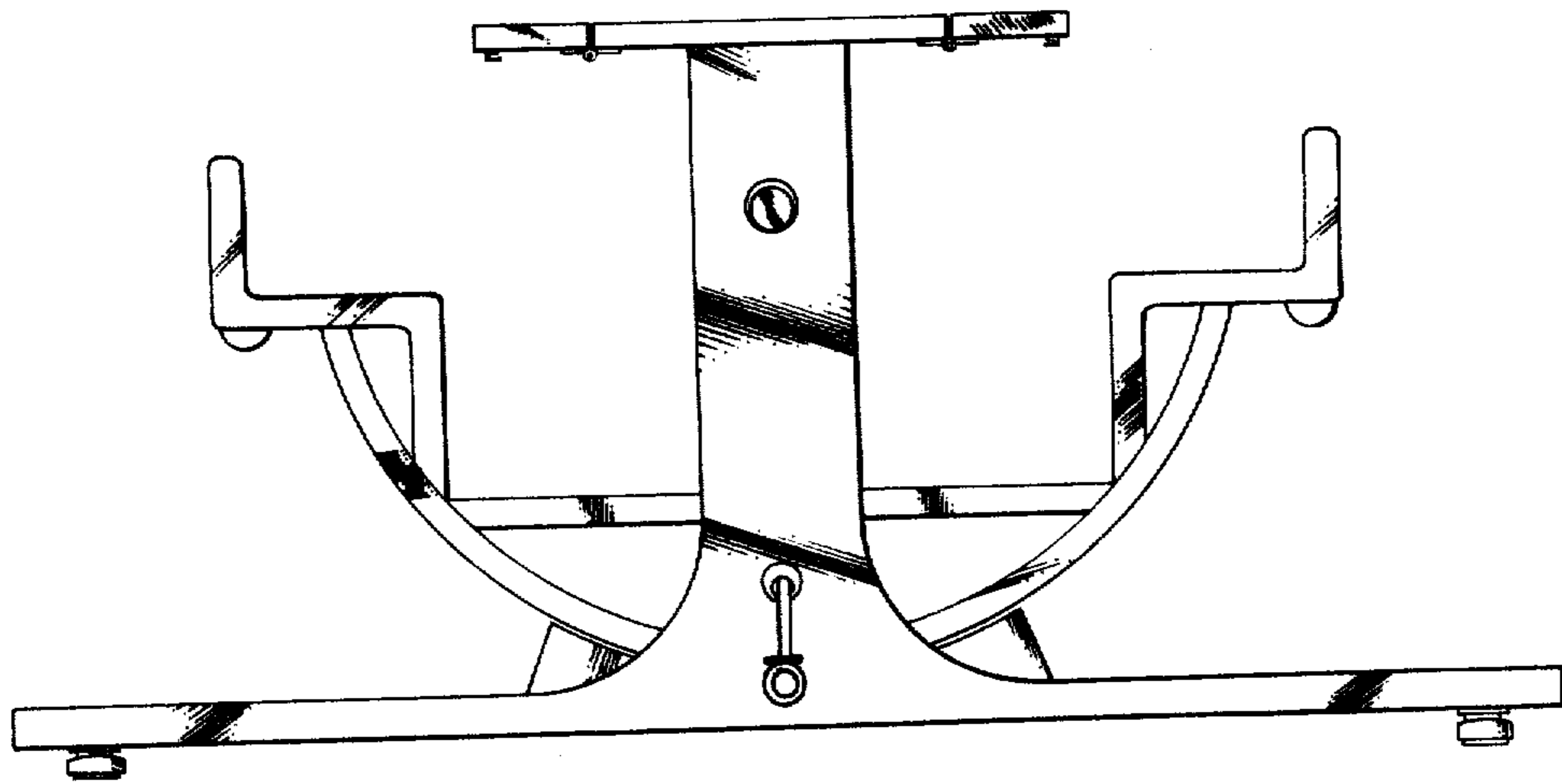


Fig. 2

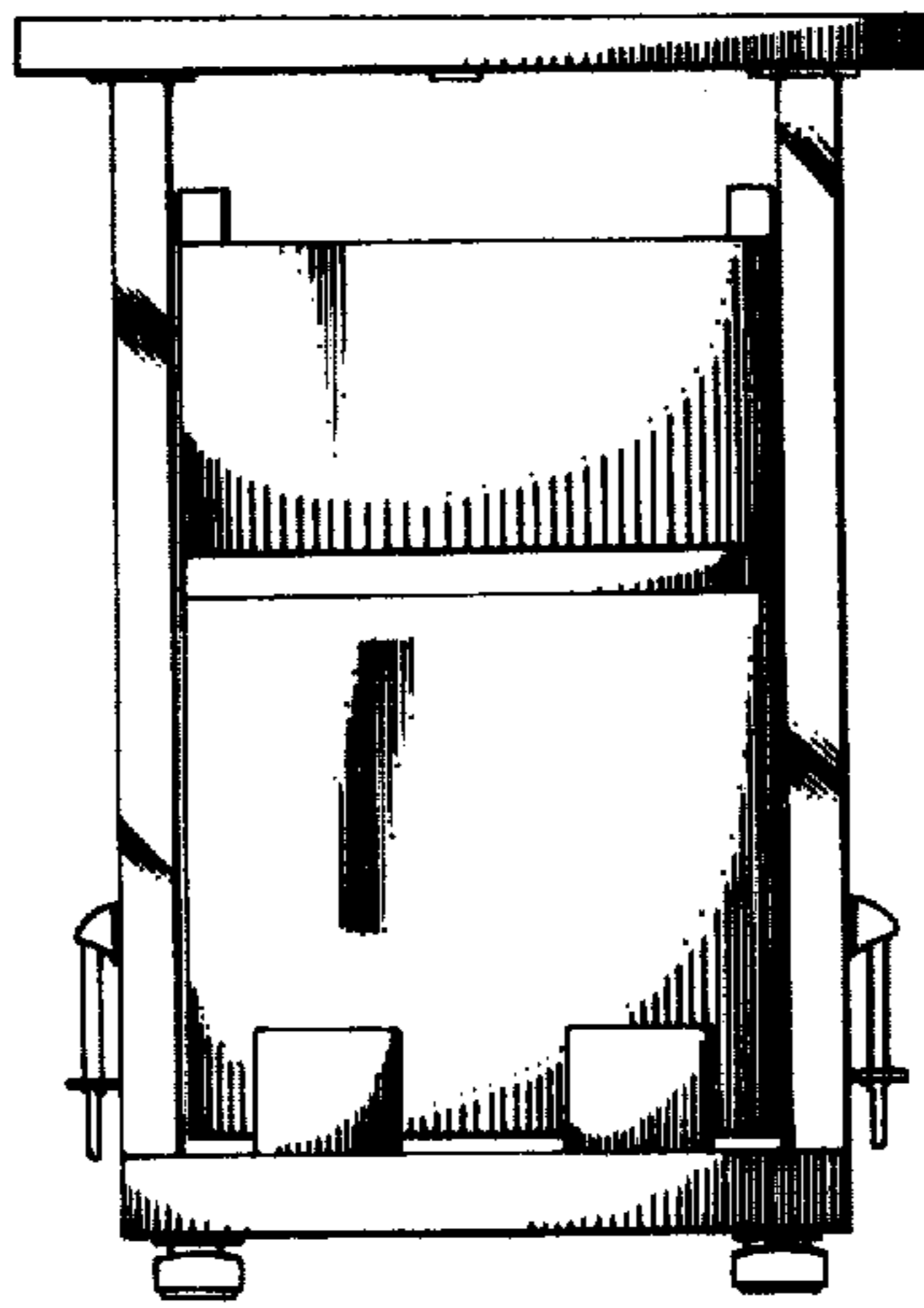


Fig. 3

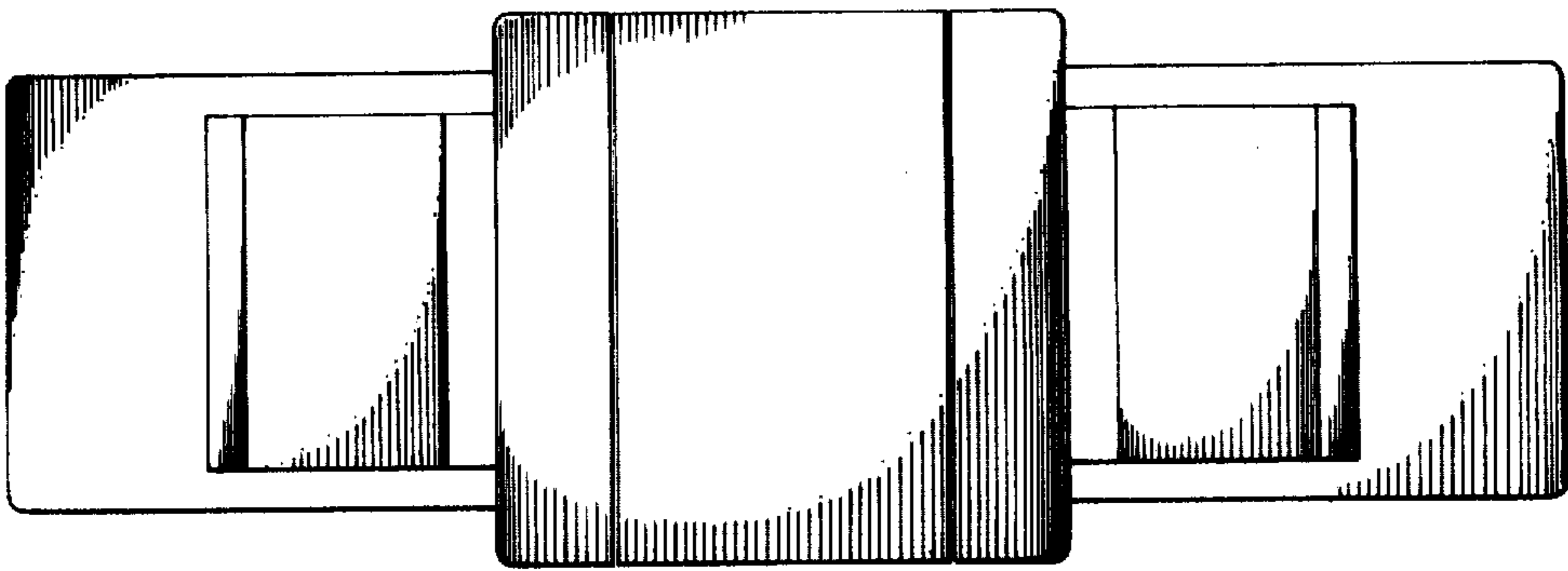


Fig. 4

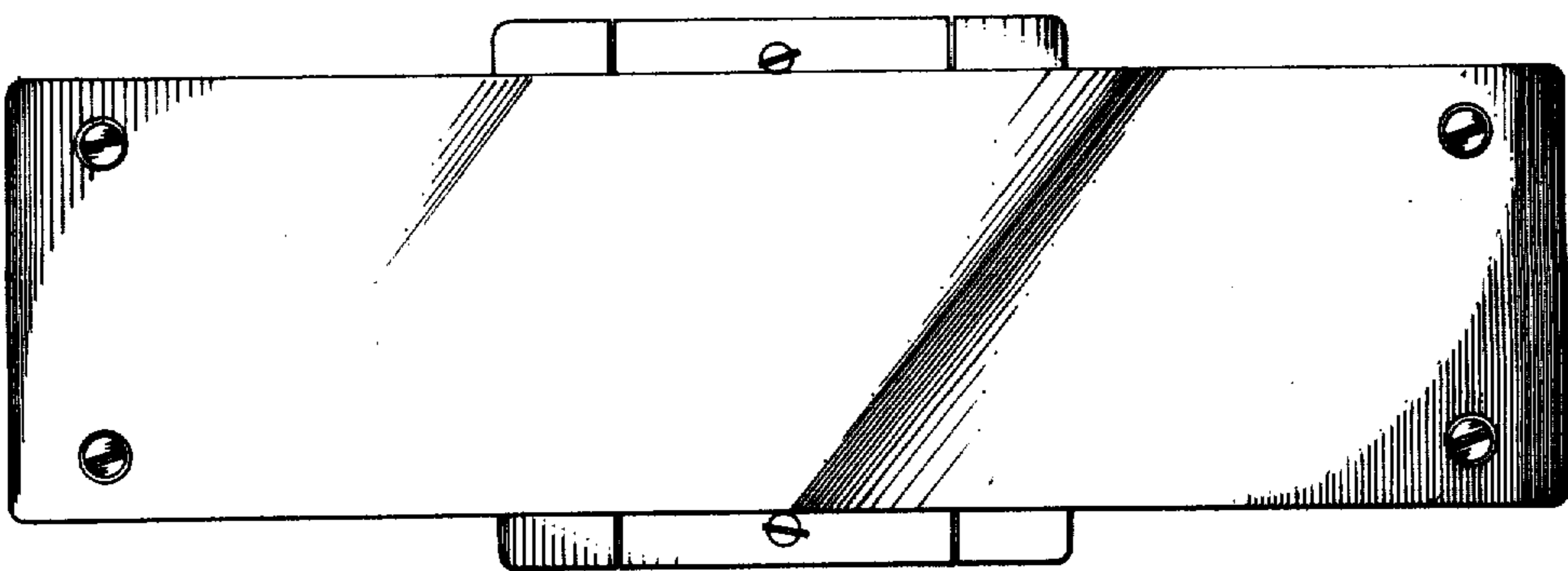


Fig. 5