

[54] MOBILE SALAD BAR

[75] Inventors: Joe D. Craig, Woodridge; Joan Grez, La Grange; Edward H. Rensi, Downers Grove; Richard R. Salsbury, Schaumburg, all of Ill.

[73] Assignee: McDonald's Corporation, Oak Brook, Ill.

[\*\*] Term: 14 Years

[21] Appl. No.: 197,925

[22] Filed: Oct. 17, 1980

[51] Int. Cl. .... D12-02

[52] U.S. Cl. .... D34/14; D34/21

[58] Field of Search ..... D34/14, 21; 296/22; 280/47.34, 47.35

[56] References Cited

PUBLICATIONS

Foodservice Equipment Specialist, 8/79, p. 49, Moli Hot Cart & Vollrath Salad Bar, bottom of page.

Primary Examiner—James M. Gandy  
Attorney, Agent, or Firm—Dressler, Goldsmith, Shore, Sutker & Milnamow, Ltd.

[57] CLAIM

The ornamental design for a mobile salad bar, substantially as shown and described.

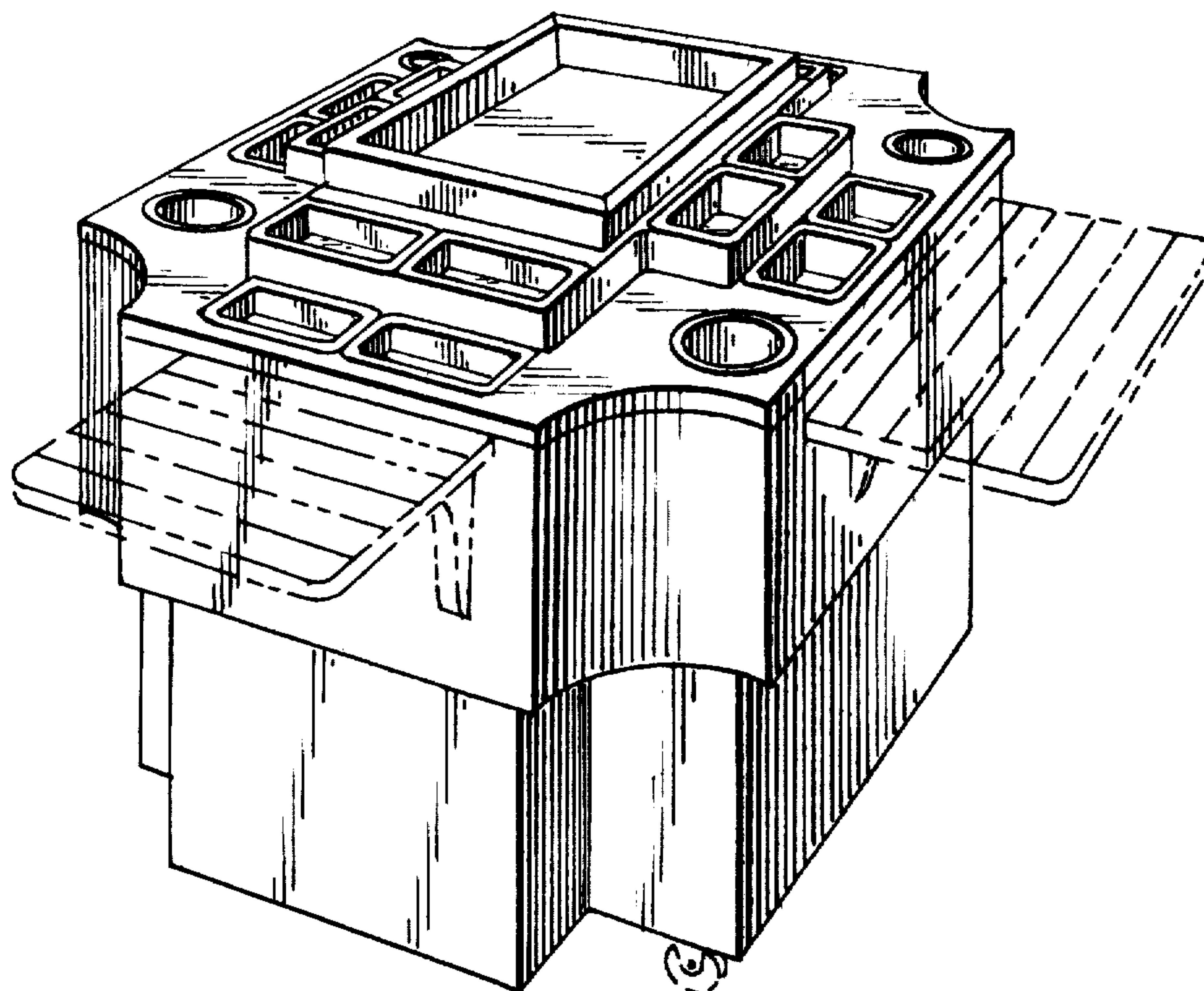
DESCRIPTION

FIG. 1 is a perspective view of a mobile salad bar showing our new design, it being understood that the broken lines are for illustrative purposes only;

FIG. 2 is an end elevational view thereof, the opposite end being a mirror image of that shown;

FIG. 3 is a top plan view thereof; and

FIG. 4 is a front elevational view thereof, the rear being a mirror image of the front shown.



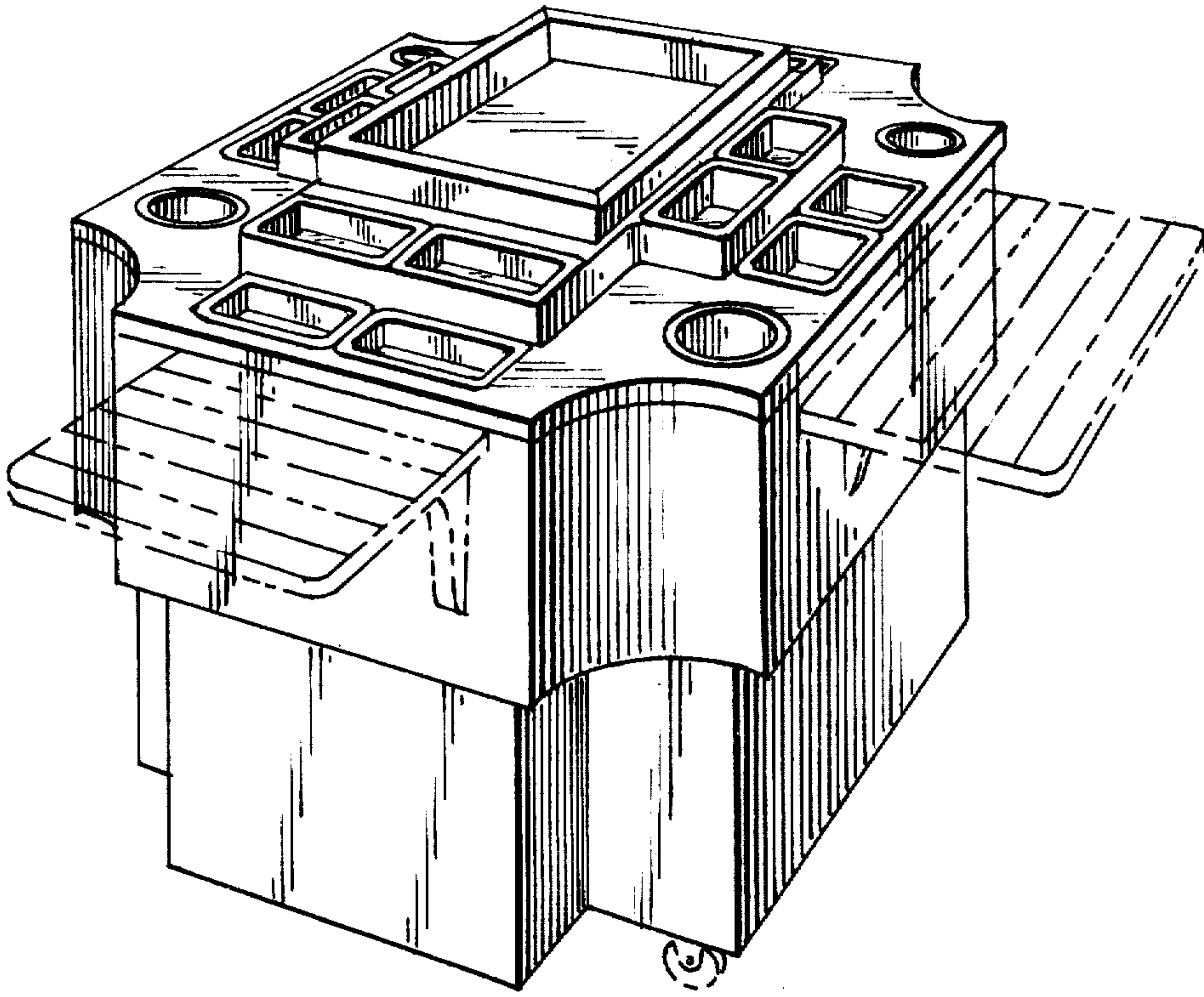


FIG. 1

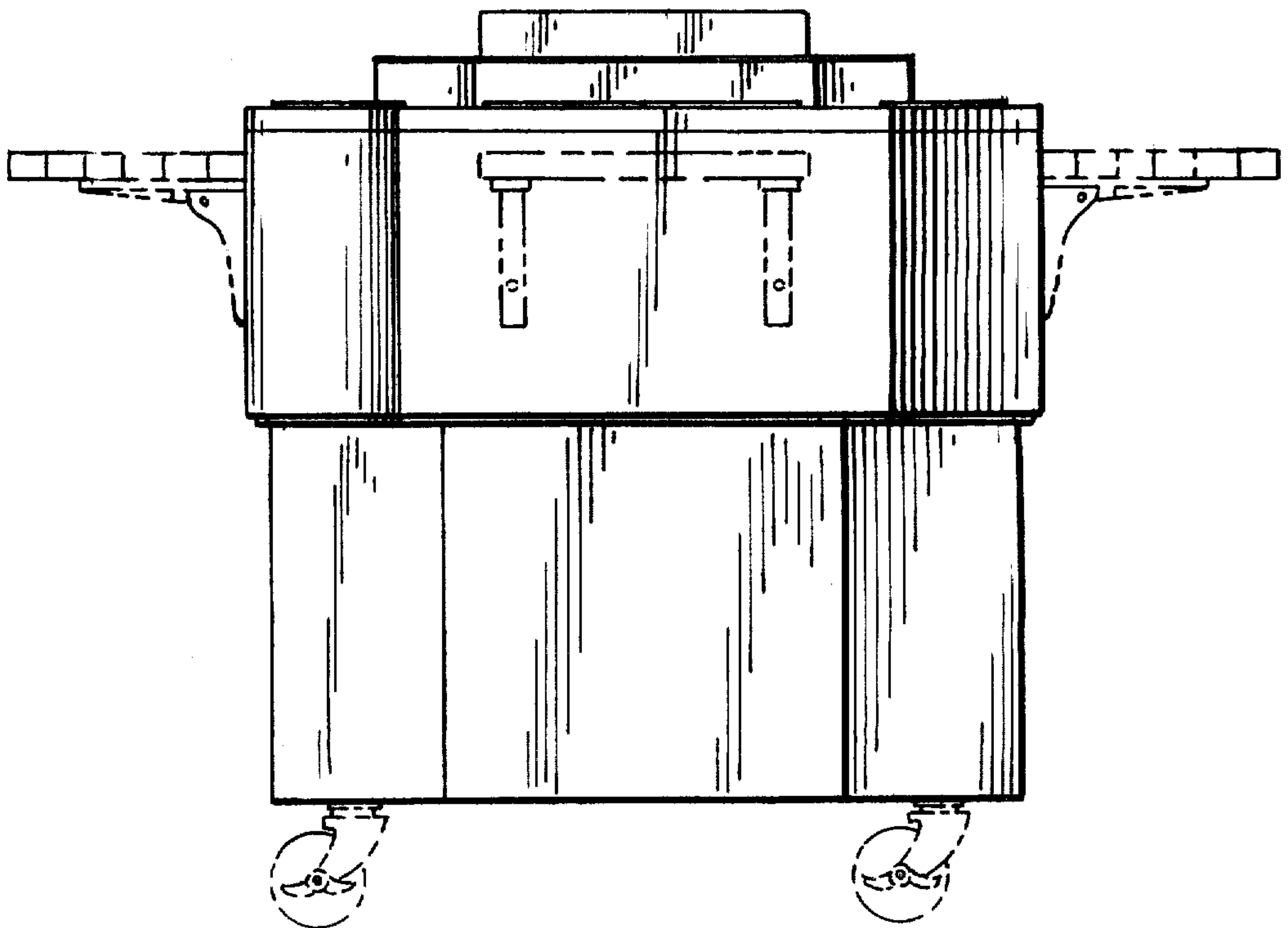


FIG. 2

FIG. 3

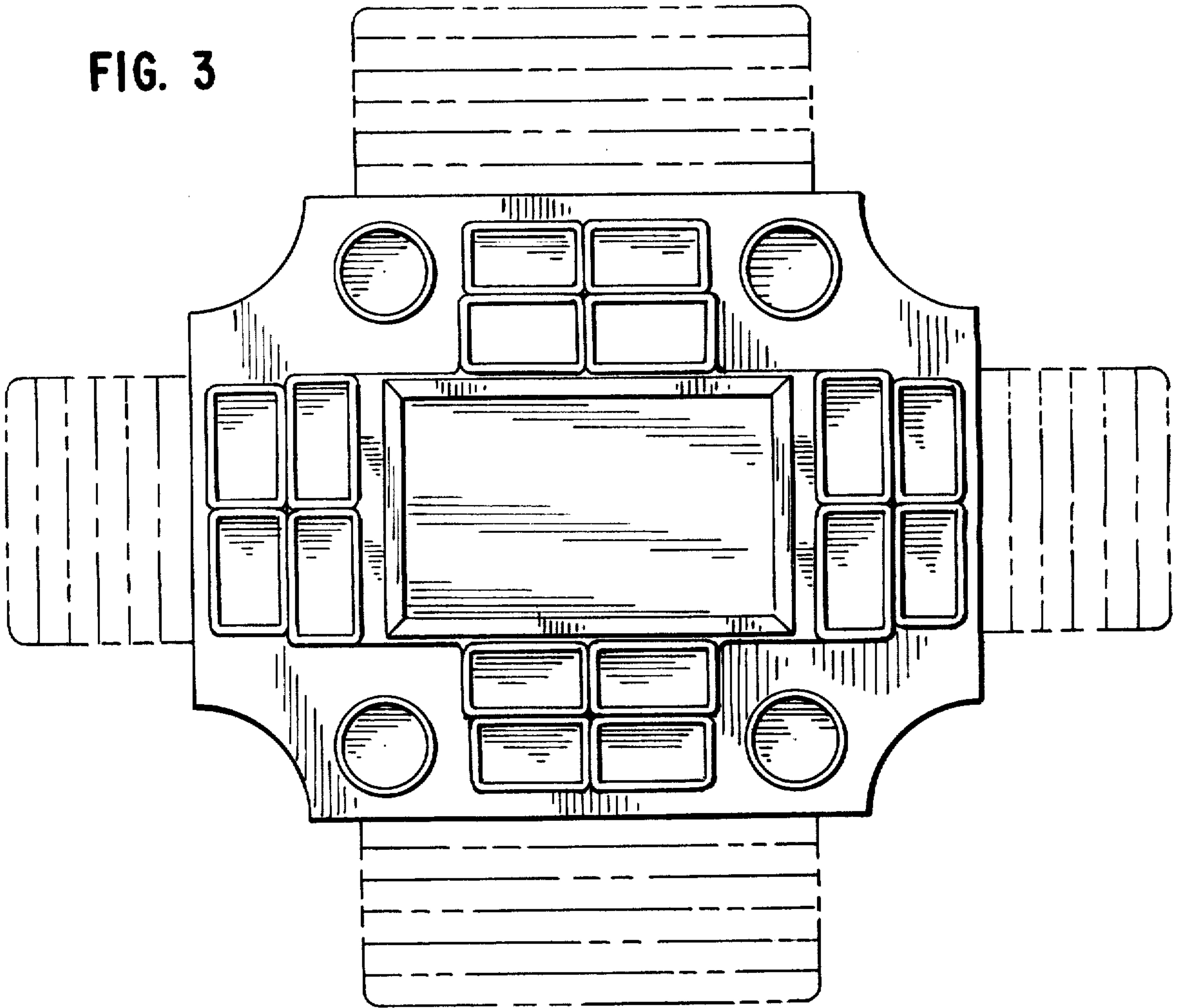


FIG. 4

